



MW WIRE SYSTEM

BU Installation
Installation Technical Manual
Typical Applications
Product Line Applications

Version 1.0

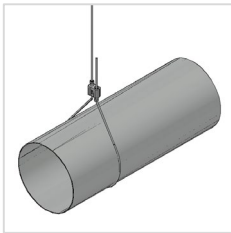

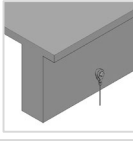
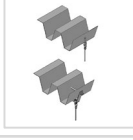
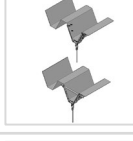
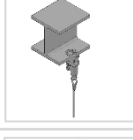
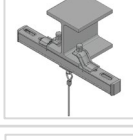
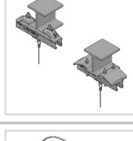

10.2020

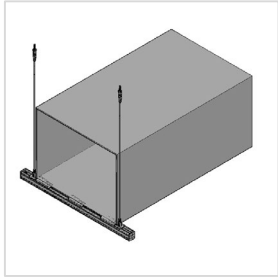


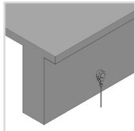
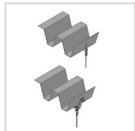
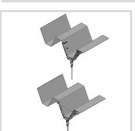
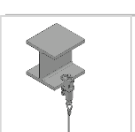
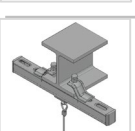
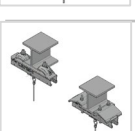
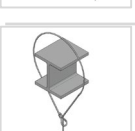


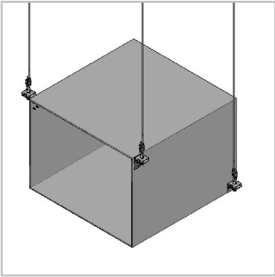

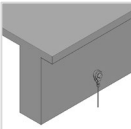
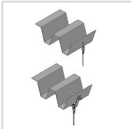

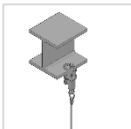
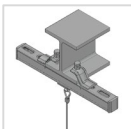
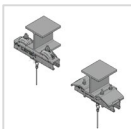

TERMS OF COMMON COOPERATION / LEGAL DISCLAIMERS

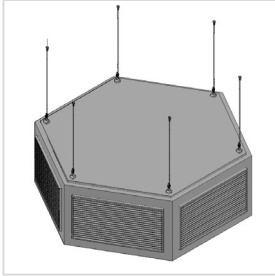

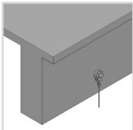


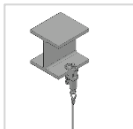
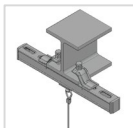
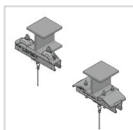

Hilti strives to achieve continuous development and innovation. This manual is thus subject to change without notice. Hilti strongly advises customers to verify the respective product application for the intended use by consulting a structural engineer and making the necessary calculations to ensure compliance with the applicable norms and standards. It is essential that the product is used strictly in accordance with the applicable Hilti instructions for use and within the application limits specified in the Hilti technical data sheets, technical specifications and supporting product literature. Due to the fact that construction materials and environmental conditions vary widely, information given in this manual is solely based on principles and safety factors believed to be correct at the time they were established. The customer is ultimately responsible for checking the present condition of supporting materials and the applicability of the selected product application. Hilti shall not be liable for direct, indirect, incidental or consequential damages, losses or expenses in connection with any information contained in this manual or in connection with, or by reason of, the use of, or inability to use the products for any intended purpose. This limitation of liability does not apply to personal damages culpably caused by Hilti. Implied warranties of merchantability or fitness of the products are herewith expressly excluded.

	Page
MW-Specific General Notes	10
Conditions for transport, storage and Usage	10
Kit & item selection table	11
Safety factors used to calculate load capacities	13
Lock and wire kits according to SMACNA 006-2006	14
Connectors according to Eurocode 3	16
Suspended ceilings according EN 13964	17
Prying Factor of MW-C and the force transferred to the Anchor	19

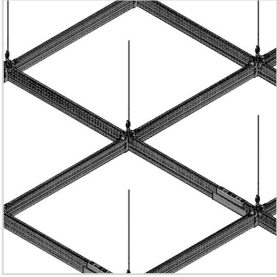




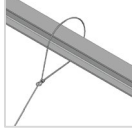
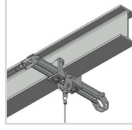
Picture	Configuration	Type	Page
Ventilation - Rounded Ducts			
			
	Rounded Duct On Concrete Slab	1.01	21
	Rounded Duct On Concrete Girder	1.02	22
	Rounded Duct On Metal Deck Hook and V-Hanger	1.03	23
	Rounded Duct On Metal Deck V-Hanger With Integrated Nut	1.04	24
	Rounded Duct On Structural Steel Beam Clamps	1.05	25
	Rounded Duct On Structural Steel MM Channels	1.06	26
	Rounded Duct On Structural Steel MQ Channels	1.07	27
	Rounded Duct On Structural Steel Looped Profile	1.08	28




Product	Configuration	Type	Page
Ventilation - Trapeze			
			
	Trapeze On Concrete MQ System	2.01	29
	Trapeze On Concrete MM System	2.02	30
	Trapeze On Concrete Girder	2.03	31
	Trapeze On Metal Deck Hook and V-Hanger	2.04	32
	Trapeze On Metal Deck	2.05	33
	Trapeze On Structural Steel Beam Clamps	2.06	34
	Trapeze On Structural Steel MM System	2.07	35
	Trapeze On Structural Steel MQ System	2.08	36
	Trapeze On Structural Steel Looped Profile	2.09	37

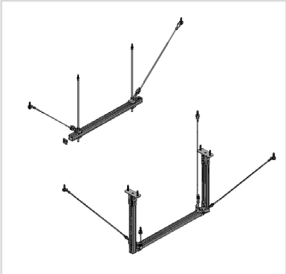


Product	Configuration	Type	Page
Ventilation L,Z –Hangers			
			
	L,Z -Hangers On Concrete	3.01	38
	L, Z-Hangers On Concrete Girder	3.02	39
	L, Z-Hanger On Metal Deck Hook and V-Hanger	3.03	40
	L, Z-Hanger On Metal Deck V-Hanger With Integrated Nut	3.04	41
	L, Z-Hanger On Structural Steel Beam Clamps	3.05	42
	L, Z-Hanger On Structural Steel MM System	3.06	43
	L, Z-Hanger On Structural Steel MQ System	3.07	44
	L, Z-Hanger On Structural Steel Looped Profile	3.08	45

Product	Configuration	Type	Page
Ventilation - Unit			
			
	Ventilation Unit On Concrete Slab	4.01	46
	Ventilation Unit On Concrete Girder	4.02	47
	Ventilation Unit On Metal Deck Hook And V-Hanger	4.03	48
	Ventilation Unit On Metal Deck V-Hanger With Integrated Nut	4.04	49
	Ventilation Unit On Structural Steel Beam Clamps	4.05	50
	Ventilation Unit On Structural Steel MM System	4.06	51
	Ventilation Unit On Structural Steel MQ System	4.07	52
	Ventilation Unit On Structural Steel Looped Profile	4.08	53

Product	Configuration	Type	Page
Electrical - Cable Tray, Ceiling Panel And Busbar			
			
	Cable Tray, Ceiling Panel And Busbar On Concrete Slab	5.01	54
	Cable Tray, Ceiling Panel And Busbar On Concrete Girder	5.02	55
	Cable Tray, Ceiling Panel And Busbar On Metal Deck Hook And V-Hanger	5.03	56
	Cable Tray, Ceiling Panel And Busbar On Metal Deck V-Hanger With Integrated Nut	5.04	57
	Cable Tray, Ceiling Panel And Busbar On Structural Steel Beam Clamps	5.05	58
	Cable Tray, Ceiling Panel And Busbar On Structural Steel MM System	5.06	59
	Cable Tray, Ceiling Panel And Busbar On Structural Steel MQ System	5.07	60
	Cable Tray, Ceiling Panel And Busbar On Structural Steel Looped Profile	5.08	61

Product	Configuration	Type	Page
Overhead Grid System			
			
	Overhead Grid System On Concrete Slab	6.01	62
	Overhead Grid System On Structural steel Looped	6.02	63
	Overhead Grid System On Structural Steel Beam Clamps	6.03	64
	Overhead Grid System Space Bracing On Concrete	6.04	65
	Overhead Grid System Space Bracing On Structural Steel Looped	6.05	66
	Overhead Grid System Space Bracing On Structural Steel Beam Clamps	6.06	67

Product	Configuration	Type	Page
Piping - Bracing - Single Fastening Points			
			
	Fastening Points On Concrete Slab Single Connection	7.01	68
	Fastening Points On Concrete Slab Double Connection	7.02	69

Product	Configuration	Type	Page
Bracing - Trapeze On Rods and Frame			
			
	Bracing – Trapeze On Rods On Concrete Slab	8.01	70
Bracing – Trapeze Frame			
	Bracing – Trapeze Frame On Concrete Slab	8.02	71

MW-SPECIFIC GENERAL NOTES





- This application is for static loading only not including lifting or nor accessed by persons
- Hilti wire ropes are manufactured according ASTM-A1023 and are not pre-stretched. When installing, it must be considered that the wire ropes undergo a constructional stretch (extension). The constructional stretch according ASTM-A1023 (extension) is the amount of extension that is attributed to the initial bedding down of wires within the strands and the strands within the rope due to loading. Initial extension cannot be determined by calculation. Stretching over time also uncertain. The height of the suspended parts can be adjusted with the lock.
- Please always refer to the latest instruction manual of the supported media, for example: pipes or cable trays, structures and attachments. The media needs to withstand the local wire rope force, taking into account the angle of loading.
- The wire rope shall not be connected with a hardened steel (max. 170 HB) interface.
- The wire rope interface shall be free of sharp corners (min. 0.5mm x 45° or radius 0.5mm with a minimum thickness of 5mm) to avoid local damage of the wire rope.
- Check that all parts are not damaged before installing. For example, a bent wire will not fit properly in the lock or could disable the locking mechanism.
- Only one wire may be suspended from each connector and/or anchor.
- Before installing, the instructions for use must be consulted.
- Oil, grease, paint and dirt can reduce the load capacity of the wire system and must be avoided.
- The load capacity values are only valid when this system is used exclusively with Hilti locks, wires, connectors and anchors in the recommended combinations shown in the ITM (larger diameter anchors are permitted).
- Ensure the correct cutting tool is used to cut the wire, as shown in the instructions for use. The cut wire end must be protected from fraying. If the wrong cutting tool is used the wire may not fit into the lock or could unravel over time.
- The wire system locks, MW-L and MW-CL together with wire can be reused maximum 3 times during installation (loaded to maximum load), for the purpose of adjusting the position. Without loading the locks can be repositioned as many times as necessary. The MW-C clip is single-use only.
- For all MW-EB eye-bolt loop applications the load must be applied such that the eye-bolt and wire are aligned ($\pm 5^\circ$). Counter nuts must be used as shown in the ITM to ensure the eye-bolt does not loosen over time.
- For any applications requiring angles $> 5^\circ$ the MW-C clip in combination with MW-LP wire loop must be used.

CONDITIONS FOR TRANSPORT, STORAGE AND USAGE

- Packaging of all wire system items must not be damaged during transport and storage.
- All wire system items must be transported, stored and used in a dry, indoor (non-condensing) atmosphere
- Corrosion protection class C1 - C2 (medium), 15 years ((based on EN ISO 12944-6 and EN ISO 12944-1). For C2 please contact Hilti Engineering Services.
- Do not use in corrosive or chlorinated environments.
- Temperatures:
 - Transportation, storage and operation: -20°C to 50°C
 - Assembly -5°C to 50°C
- Can be used with various base materials. The customer must ensure that the base materials and anchors used have a sufficient load capacity.
- For further information please contact Hilti engineering services.

KIT & ITEM SELECTION TABLE

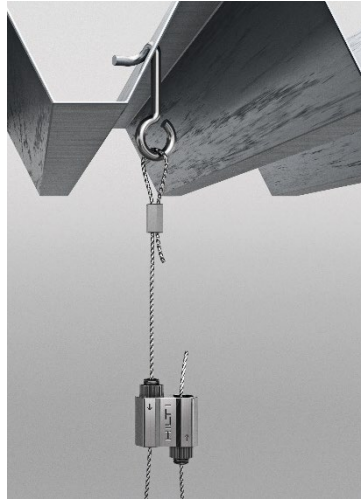
MW Wire & Lock Kits

		Wire no.	1.5	2.0	3.0	5.0	6.0	
		Working load limit	30 kg	56 kg	113kg	270kg	380kg	
Kit wire & lock	Wire length							
 MW-EB M8/10/12 L Kit	1m	2280019	2280044	2280049	2280054			
	2m	2280040	2280045	2280050	2280055			
	3m	2280041	2280046	2280051	2280056	2280059		
	5m	2280042	2280047	2280052	2280057	2280060		
	10m	2280043	2280048	2280053	2280058	2280061		
	 MW-LP L Kit	1m	2280072	2280077	2280082	2287096		
2m		2280073	2280078	2280083	2287097			
3m		2280074	2280079	2280084	2287098			
5m		2280075	2280080	2280085	2287099			
10m		2280076	2280081	2280086	2287580			
		Wire no.	1.5	2.0	3.0	5.0	6.0	
		Working load limit	46kg		98kg			
Channel lock & wire	Wire length							
 MW-EB M8 CL Kit	1m	2280062		2280067				
	2m	2280063		2280068				
	3m	2280064		2280069				
	5m	2280065		2280070				
	10m	2280066		2280071				
 MW-LP CL Kit	1m	2280087		2280092				
	2m	2280088		2280093				
	3m	2280089		2280094				
	5m	2280090		2280095				
	10m	2280091		2280096				

KIT & ITEM SELECTION TABLE

MW Accessories

Application



MW-C Clip

MW-DH Deck Hook

MW-EB Eyebolt

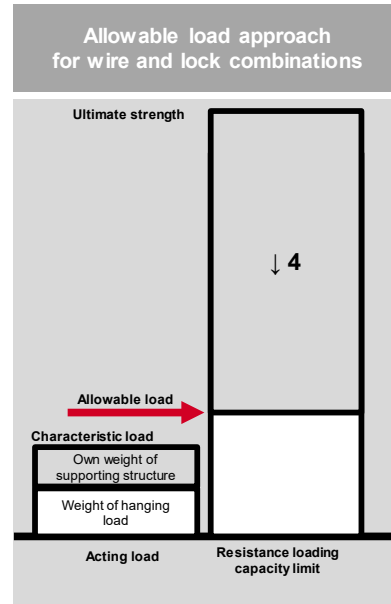
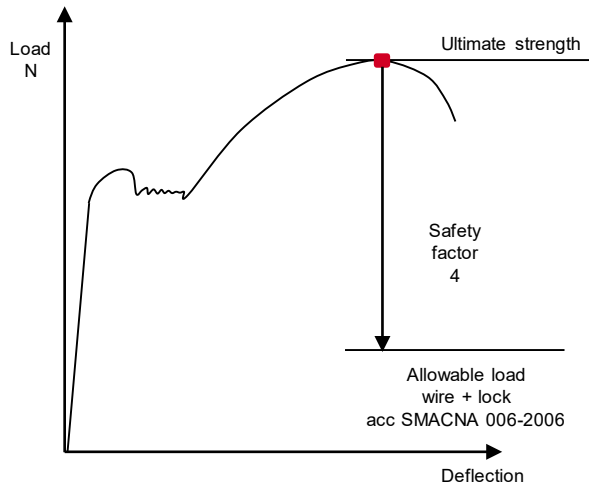
Wire no.	Item no.
1.5	2287563
2.0	2287563
3.0	2287563
5.0	2287563
6.0	x

Wire no.	Item no.
1.5	2277567
2.0	2277567
3.0	x
5.0	x
6.0	x

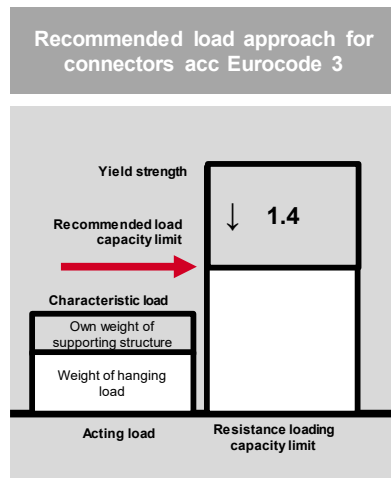
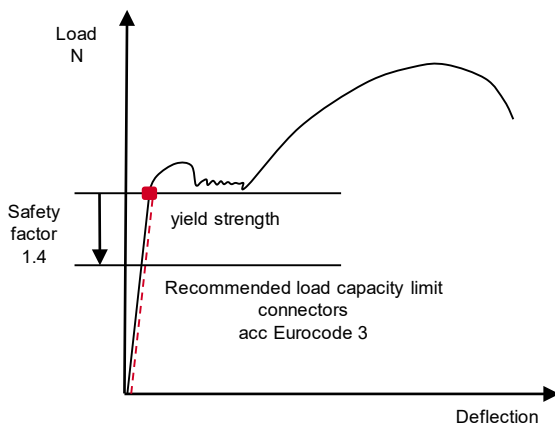
Thread size	Thread length	Item no.
M8	26mm	2277563
M10	39mm	2277565
M12	42mm	2277566

SAFETY FACTORS USED TO CALCULATE LOAD CAPACITIES

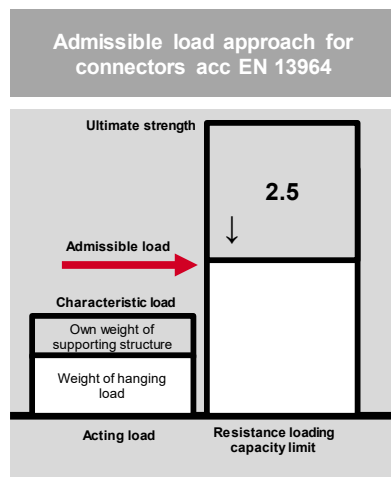
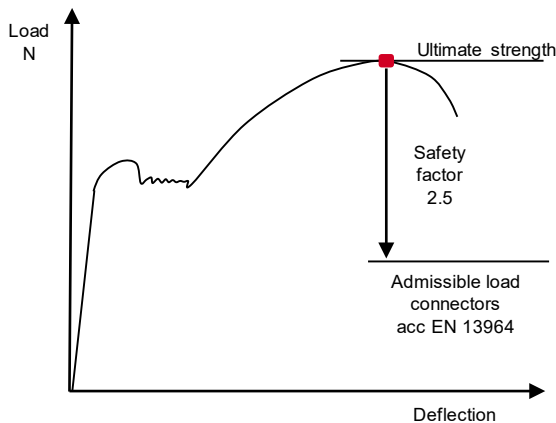
For all **lock and wire combinations**, the **allowable loads** are calculated from the normalized ultimate limit with a safety factor of 4 according to SMACNA 006-2006 (HVAC duct construction standards). SMACNA 006-2006 does not require normalization however this was done as an extra measure to account for the variation in ultimate limit possible with wire produced according to ASTM A1023. Unlike Eurocode 3, SMACNA 006-2006 does not differentiate between the recommended load and the design load but only states an allowable load which must not be exceeded.



For the **connectors MW-C, MW-DH and MW-EB**, the **recommended load** capacity limits are calculated from the normalized yield strength with a safety factor of 1.4 according to Eurocode 3 (DIN EN 1993).



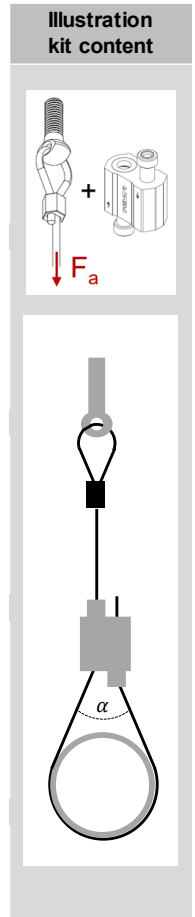
Where the **CE certification according to EN 13964 for suspended ceilings** is required, the **admissible loads** of all wire system components are calculated from the normalized ultimate strength with a safety factor of at least 2.5. EN 13964 does not differentiate between recommended load and design load but only states an admissible load which must not be exceeded.



LOCK AND WIRE KITS ACCORDING TO SMACNA 006-2006

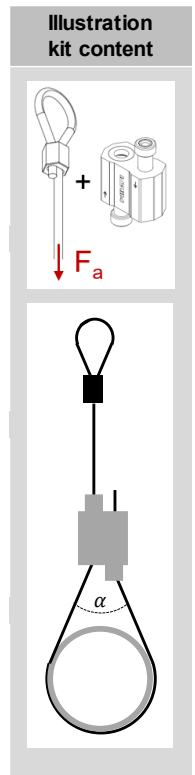
Allowable loads for lock and wire kits according to SMACNA 006-2006

Order description	Item number Kit	Item number Component Wire	Item number Component Lock	Wire rope size	Wire length	Allowable load +F _a	
Kit MW-EB M8 L 1.5/1m	2280019	2278645	2277466	1.5	1m	0.29 kN	30 kg
Kit MW-EB M8 L 1.5/2m	2280040	2278646			2m		
Kit MW-EB M8 L 1.5/3m	2280041	2278647			3m		
Kit MW-EB M8 L 1.5/5m	2280042	2278648			5m		
Kit MW-EB M8 L 1.5/10m	2280043	2278649			10m		
Kit MW-EB M8 L 2.0/1m	2280044	2278690	2277467	2.0	1m	0.55 kN	56 kg
Kit MW-EB M8 L 2.0/2m	2280045	2278691			2m		
Kit MW-EB M8 L 2.0/3m	2280046	2278692			3m		
Kit MW-EB M8 L 2.0/5m	2280047	2278693			5m		
Kit MW-EB M8 L 2.0/10m	2280048	2278694			10m		
Kit MW-EB M8 L 3.0/1m	2280049	2278703	2277468	3.0	1m	1.11 kN	113 kg
Kit MW-EB M8 L 3.0/2m	2280050	2278704			2m		
Kit MW-EB M8 L 3.0/3m	2280051	2278695			3m		
Kit MW-EB M8 L 3.0/5m	2280052	2278696			5m		
Kit MW-EB M8 L 3.0/10m	2280053	2278705			10m		
Kit MW-EB M10 L 5.0/1m	2280054	2278642	2277469	5.0	1m	2.65 kN	270 kg
Kit MW-EB M10 L 5.0/2m	2280055	2278697			2m		
Kit MW-EB M10 L 5.0/3m	2280056	2278698			3m		
Kit MW-EB M10 L 5.0/5m	2280057	2278699			5m		
Kit MW-EB M10 L 5.0/10m	2280058	2278700			10m		
Kit MW-EB M12 L 6.0/3m	2280059	2278701	2277560	6.0	3m	3.73 kN	380 kg
Kit MW-EB M12 L 6.0/5m	2280060	2278702			5m		
Kit MW-EB M12 L 6.0/10m	2280061	2278643			10m		



The shown load values of allowable loads are based on a safety factor to ultimate strength of 4 as per SMACNA 006-2006 HVAC duct construction guidelines, valid for an opening angle α of up to 60°. Note: final load for a support depends on the set up of the used items! The load capacities of all connected parts must be considered.

Order description	Item number Kit	Item number Component Wire	Item number Component Lock	Wire rope size	Wire length	Allowable load +F _a	
Kit MW-LP L 1.5/1m	2280072	2277568	2277466	1.5	1m	0.29 kN	30 kg
Kit MW-LP L 1.5/2m	2280073	2277569			2m		
Kit MW-LP L 1.5/3m	2280074	2277570			3m		
Kit MW-LP L 1.5/5m	2280075	2277571			5m		
Kit MW-LP L 1.5/10m	2280076	2277572			10m		
Kit MW-LP L 2.0/1m	2280077	2277573	2277467	2.0	1m	0.55 kN	56 kg
Kit MW-LP L 2.0/2m	2280078	2277574			2m		
Kit MW-LP L 2.0/3m	2280079	2277575			3m		
Kit MW-LP L 2.0/5m	2280080	2277576			5m		
Kit MW-LP L 2.0/10m	2280081	2277577			10m		
Kit MW-LP L 3.0/1m	2280082	2277578	2277468	3.0	1m	1.11 kN	113 kg
Kit MW-LP L 3.0/2m	2280083	2277579			2m		
Kit MW-LP L 3.0/3m	2280084	2277580			3m		
Kit MW-LP L 3.0/5m	2280085	2277581			5m		
Kit MW-LP L 3.0/10m	2280086	2277582			10m		
Kit MW-LP L 5.0/1m	2287096	2287558	2277469	5.0	1m	2.65 kN	270 kg
Kit MW-LP L 5.0/2m	2287097	2287559			2m		
Kit MW-LP L 5.0/3m	2287098	2287560			3m		
Kit MW-LP L 5.0/5m	2287099	2287561			5m		
Kit MW-LP L 5.0/10m	2287580	2287562			10m		



The shown load values of allowable loads are based on a safety factor to ultimate strength of 4 as per SMACNA 006-2006 HVAC duct construction guidelines, valid for an opening angle α of up to 60°. Note: final load for a support depends on the set up of the used items! The load capacities of all connected parts must be considered.

LOCK AND WIRE KITS ACCORDING TO SMACNA 006-2006

Allowable loads for channel lock and wire kits according to SMACNA 006-2006

Order description	Item number Kit	Item number Component Wire	Item number Component Lock	Wire rope size	Wire length	Allowable load +F _a		Illustration kit content
Kit MW-EB M8 CL 2.0/1m	2280062	2278690	2277562	2.0	1m	0.45 kN	46 kg	
Kit MW-EB M8 CL 2.0/2m	2280063	2278691			2m			
Kit MW-EB M8 CL 2.0/3m	2280064	2278692			3m			
Kit MW-EB M8 CL 2.0/5m	2280065	2278693			5m			
Kit MW-EB M8 CL 2.0/10m	2280066	2278694			10m			
Kit MW-EB M8 CL 3.0/1m	2280067	2278703	2277562	3.0	1m	0.96 kN	98 kg	
Kit MW-EB M8 CL 3.0/2m	2280068	2278704			2m			
Kit MW-EB M8 CL 3.0/3m	2280069	2278695			3m			
Kit MW-EB M8 CL 3.0/5m	2280070	2278696			5m			
Kit MW-EB M8 CL 3.0/10m	2280071	2278705			10m			

The shown load values of allowable loads are based on a safety factor to ultimate strength of 4 as per SMACNA 006-2006 HVAC duct construction guidelines. These values are only valid when the wire is aligned with the axis of the eye bolt ($\pm 5^\circ$) and hanging vertically.

Note: final load for a support is depending on the set up of the used items! The load capacities of all connected parts must be considered.

Order description	Item number Kit	Item number Component Wire	Item number Component Lock	Wire rope size	Wire length	Allowable load +F _a		Illustration kit content
Kit MW-LP CL 2.0/1m	2280087	2277573	2277562	2.0	1m	0.45 kN	46 kg	
Kit MW-LP CL 2.0/2m	2280088	2277574			2m			
Kit MW-LP CL 2.0/3m	2280089	2277575			3m			
Kit MW-LP CL 2.0/5m	2280090	2277576			5m			
Kit MW-LP CL 2.0/10m	2280091	2277577			10m			
Kit MW-LP CL 3.0/1m	2280092	2277578	2277562	3.0	1m	0.96 kN	98 kg	
Kit MW-LP CL 3.0/2m	2280093	2277579			2m			
Kit MW-LP CL 3.0/3m	2280094	2277580			3m			
Kit MW-LP CL 3.0/5m	2280095	2277581			5m			
Kit MW-LP CL 3.0/10m	2280096	2277582			10m			

The shown load values of allowable loads are based on a safety factor to ultimate strength of 4 as per SMACNA 006-2006 HVAC duct construction guidelines. These values are only valid when the wire is aligned with the axis of the channel lock ($\pm 5^\circ$) and hanging vertically.

Note: final load for a support is depending on the set up of the used items! The load capacities of all connected parts must be considered.

CONNECTORS ACCORDING TO EUROCODE 3

Recommended load capacity limits for connectors according to Eurocode 3

Order description	Item number	Wire rope size	Recommended load +F _x		Illustration
			kN	kg	
MW-DH	2277567	≤ 2.0	0.55 kN	56 kg	

Shown load values are the recommended loads capacity limits for vertical loads only. The partial safety factor for the action is 1.4 relative to the yield strength according to Eurocode 3. Note: Load capacity of interface (profiled sheet metal) needs to be validated separately.

MW-EB M8x26	2277563	≤ 3.0	7.3 kN	745 kg	
MW-EB M10x39	2277565	≤ 5.0	10.8 kN	1101 kg	
MW-EB M12x42	2277566	≤ 6.0	16.2 kN	1650 kg	

The shown load values are the recommended loads capacity limits. The partial safety factor for the action is 1.4 relative to the yield strength according to Eurocode 3. The load capacities of all connected parts must be considered.

Note: These values are only valid when the applied load is aligned with the axis of the eye bolt (± 5°)

MW-C	2287563	≤ 5.0	3.92 kN	400 kg	
------	---------	-------	---------	--------	--

The shown load values are the recommended loads capacity limits. The partial safety factor for the action is 1.4 relative to the yield strength according to Eurocode 3. Load values are valid for α = 0° - 90°. The load capacities of all connected parts must be considered.

Note: Transferred load to anchor depends on prying factor of MW-C at angle α. See table "Prying factor MW-C"

Design load capacity limits for connectors according to Eurocode 3

Order description	Item number	Wire rope size	Design load +F _x		Illustration
			kN	kg	
MW-DH	2277567	≤ 2.0	0.77 kN	78.4 kg	

The shown load values are design load capacity limits for vertical loads only. The partial safety factor for the action is 1.0.

Note: Load capacity of interface (profiled sheet metal) needs to be validated separately

MW-EB M8x26	2277563	≤ 3.0	10.2 kN	1043 kg	
MW-EB M10x39	2277565	≤ 5.0	15.1 kN	1541 kg	
MW-EB M12x42	2277566	≤ 6.0	22.7 kN	2311 kg	

The shown load values are design load capacity limits. The partial safety factor for the action is 1.0. The load capacities of all connected parts must be considered. Note: These values are only valid when the load is applied at an angle of 0° ± 5° relative to the axis of the eye bolt.

MW-C	2287563	≤ 5.0	5.49 kN	560 kg	
------	---------	-------	---------	--------	--

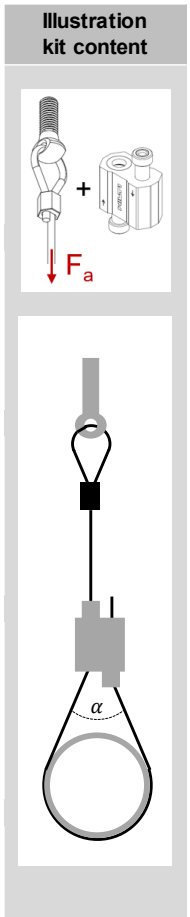
The shown load values are design load capacity limits. The partial safety factor for the action is 1.0. Load values are valid for α = 0° - 90°. The load capacities of all connected parts must be considered.

Note: Transferred load to anchor depends on prying factor of MW-C at angle α. See table "Prying factor MW-C"

SUSPENDED CEILINGING ACCORDING TO EN 13964

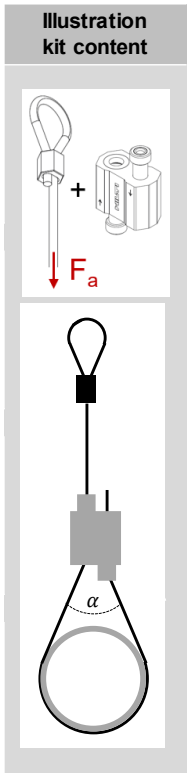
Admissible loads for lock and wire kits according to EN 13964

Order description	Item number Kit	Item number Component Wire	Item number Component Lock	Wire rope size	Wire length	Admissible load +F _a	
Kit MW-EB M8 L 1.5/1m	2280019	2278645	2277466	1.5	1m	0.29 kN	30 kg
Kit MW-EB M8 L 1.5/2m	2280040	2278646			2m		
Kit MW-EB M8 L 1.5/3m	2280041	2278647			3m		
Kit MW-EB M8 L 1.5/5m	2280042	2278648			5m		
Kit MW-EB M8 L 1.5/10m	2280043	2278649			10m		
Kit MW-EB M8 L 2.0/1m	2280044	2278690	2277467	2.0	1m	0.55 kN	56 kg
Kit MW-EB M8 L 2.0/2m	2280045	2278691			2m		
Kit MW-EB M8 L 2.0/3m	2280046	2278692			3m		
Kit MW-EB M8 L 2.0/5m	2280047	2278693			5m		
Kit MW-EB M8 L 2.0/10m	2280048	2278694			10m		
Kit MW-EB M8 L 3.0/1m	2280049	2278703	2277468	3.0	1m	1.11 kN	113 kg
Kit MW-EB M8 L 3.0/2m	2280050	2278704			2m		
Kit MW-EB M8 L 3.0/3m	2280051	2278695			3m		
Kit MW-EB M8 L 3.0/5m	2280052	2278696			5m		
Kit MW-EB M8 L 3.0/10m	2280053	2278705			10m		
Kit MW-EB M10 L 5.0/1m	2280054	2278642	2277469	5.0	1m	2.65 kN	270 kg
Kit MW-EB M10 L 5.0/2m	2280055	2278697			2m		
Kit MW-EB M10 L 5.0/3m	2280056	2278698			3m		
Kit MW-EB M10 L 5.0/5m	2280057	2278699			5m		
Kit MW-EB M10 L 5.0/10m	2280058	2278700			10m		
Kit MW-EB M12 L 6.0/3m	2280059	2278701	2277560	6.0	3m	3.73 kN	380 kg
Kit MW-EB M12 L 6.0/5m	2280060	2278702			5m		
Kit MW-EB M12 L 6.0/10m	2280061	2278643			10m		



The shown load values are the "admissible loads" calculated according to EN 13964, valid for an opening angle α of up to 60°. Note: final load for a support is depending on the set up of the used items! The load capacities of all connected parts must be considered.

Order description	Item number Kit	Item number Component Wire	Item number Component Lock	Wire rope size	Wire length	Admissible load +F _a	
Kit MW-LP L 1.5/1m	2280072	2277568	2277466	1.5	1m	0.29 kN	30 kg
Kit MW-LP L 1.5/2m	2280073	2277569			2m		
Kit MW-LP L 1.5/3m	2280074	2277570			3m		
Kit MW-LP L 1.5/5m	2280075	2277571			5m		
Kit MW-LP L 1.5/10m	2280076	2277572			10m		
Kit MW-LP L 2.0/1m	2280077	2277573	2277467	2.0	1m	0.55 kN	56 kg
Kit MW-LP L 2.0/2m	2280078	2277574			2m		
Kit MW-LP L 2.0/3m	2280079	2277575			3m		
Kit MW-LP L 2.0/5m	2280080	2277576			5m		
Kit MW-LP L 2.0/10m	2280081	2277577			10m		
Kit MW-LP L 3.0/1m	2280082	2277578	2277468	3.0	1m	1.11 kN	113 kg
Kit MW-LP L 3.0/2m	2280083	2277579			2m		
Kit MW-LP L 3.0/3m	2280084	2277580			3m		
Kit MW-LP L 3.0/5m	2280085	2277581			5m		
Kit MW-LP L 3.0/10m	2280086	2277582			10m		
Kit MW-LP L 5.0/1m	2287096	2287558	2277469	5.0	1m	2.65 kN	270 kg
Kit MW-LP L 5.0/2m	2287097	2287559			2m		
Kit MW-LP L 5.0/3m	2287098	2287560			3m		
Kit MW-LP L 5.0/5m	2287099	2287561			5m		
Kit MW-LP L 5.0/10m	2287580	2287562			10m		



The shown load values are the "admissible loads" calculated according to EN 13964, valid for an opening angle α of up to 60°. Note: final load for a support is depending on the set up of the used items! The load capacities of all connected parts must be considered.

SUSPENDED CEILINGING ACCORDING TO EN 13964

Admissible loads for channel lock and wire kits according to EN 13964

Order description	Item number Kit	Item number Component Wire	Item number Component Lock	Wire rope size	Wire length	Admissible load +F _a		Illustration kit content
Kit MW-EB M8 CL 2.0/1m	2280062	2278690	2277562	2.0	1m	0.45 kN	46 kg	
Kit MW-EB M8 CL 2.0/2m	2280063	2278691			2m			
Kit MW-EB M8 CL 2.0/3m	2280064	2278692			3m			
Kit MW-EB M8 CL 2.0/5m	2280065	2278693			5m			
Kit MW-EB M8 CL 2.0/10m	2280066	2278694			10m			
Kit MW-EB M8 CL 3.0/1m	2280067	2278703	2277562	3.0	1m	0.96 kN	98 kg	
Kit MW-EB M8 CL 3.0/2m	2280068	2278704			2m			
Kit MW-EB M8 CL 3.0/3m	2280069	2278695			3m			
Kit MW-EB M8 CL 3.0/5m	2280070	2278696			5m			
Kit MW-EB M8 CL 3.0/10m	2280071	2278705			10m			

The shown load values are the "admissible loads" calculated according to EN 13964.

These values are only valid when the wire is aligned with the axis of the eye bolt ($\pm 5^\circ$) and hanging vertically.

Note: final load for a support is depending on the set-up of all used items! The load capacities of all connected parts must be considered.

Order description	Item number Kit	Item number Component Wire	Item number Component Lock	Wire rope size	Wire length	Admissible load +F _a		Illustration kit content
Kit MW-LP CL 2.0/1m	2280087	2277573	2277562	2.0	1m	0.45 kN	46 kg	
Kit MW-LP CL 2.0/2m	2280088	2277574			2m			
Kit MW-LP CL 2.0/3m	2280089	2277575			3m			
Kit MW-LP CL 2.0/5m	2280090	2277576			5m			
Kit MW-LP CL 2.0/10m	2280091	2277577			10m			
Kit MW-LP CL 3.0/1m	2280092	2277578	2277562	3.0	1m	0.96 kN	98 kg	
Kit MW-LP CL 3.0/2m	2280093	2277579			2m			
Kit MW-LP CL 3.0/3m	2280094	2277580			3m			
Kit MW-LP CL 3.0/5m	2280095	2277581			5m			
Kit MW-LP CL 3.0/10m	2280096	2277582			10m			

The shown load values are the "admissible loads" calculated according to EN 13964.

These values are only valid when the wire is aligned with the axis of the eye bolt ($\pm 5^\circ$) and hanging vertically.

Note: final load for a support is depending on the set-up of all used items! The load capacities of all connected parts must be considered..

Admissible loads for connectors according EN 13964

Order description	Item number	Wire rope size	Admissible load +F _a		Illustration
MW-DH	2277567	≤ 2.0	0.48 kN	49 kg	

The shown load values are the "admissible loads" calculated according to EN 13964.

Note: Load capacity of interface (profiled sheet metal) needs to be validated separately

MW-EB M8x26	2277563	≤ 3.0	5.32 kN	542 kg	
MW-EB M10x39	2277565	≤ 5.0	9.22 kN	939 kg	
MW-EB M12x42	2277566	≤ 6.0	15.6 kN	1591 kg	

The shown load values are the "admissible loads" calculated according to EN 13964.

Note: These values are only valid when the load is applied at an angle of $0^\circ \pm 5^\circ$ relative to the axis of the eye bolt.

MW-C	2287563	≤ 5.0	3.92 kN	400 kg	
------	---------	------------	---------	--------	--

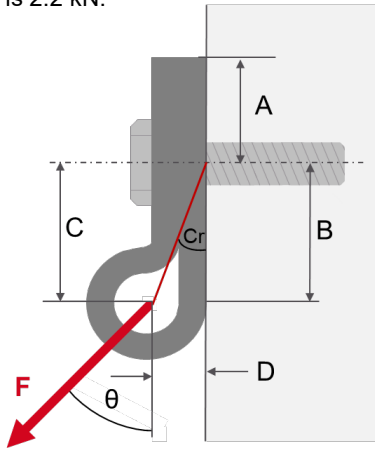
The shown load values are the "admissible loads" calculated according to EN 13964.

Load values are valid for $\alpha = 0^\circ - 90^\circ$.

Note: The load transferred to the anchor depends on the prying factor of MW-C at angle α . See table "Prying factor MW-C"

PRYING FACTOR OF MW-C AND THE FORCE TRANSFERRED TO THE ANCHOR

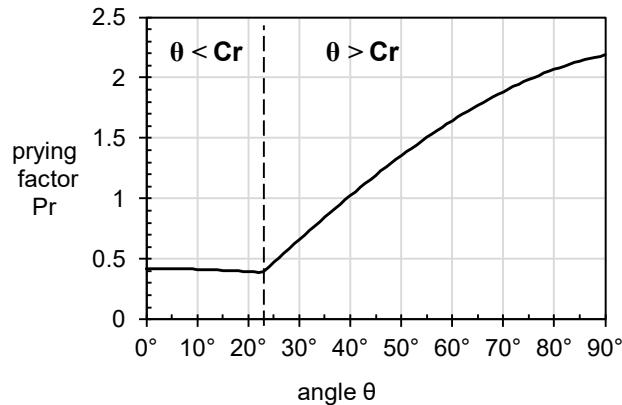
The load capacities of all connected components must be considered in combination with all MW items. In particular, the effective force transferred to the anchor must be considered and compared with the load capacity of the anchor. When a load is suspended from a MW-C clip, the effective tensile force transferred to the anchor due to leverage effects can be calculated from the prying factor **Pr** using the formulas below (according to NFPA 13-2016). For example, where the angle θ between base material and direction of loading is 90° , the prying factor **Pr** is 2.2. Accordingly, when 1 kN is hung from the clip, the tensile force transferred to the anchor is 2.2 kN.



A	B	C	D	Cr
16 mm	19 mm	19 mm	8 mm	22.8°

For $\theta < Cr$

$$Pr = \frac{\left(\frac{D}{\tan(\theta)}\right) - (C - B)}{B}$$



For $\theta > Cr$

$$Pr = \frac{(C + A) - \left(\frac{D}{\tan(\theta)}\right)}{A}$$

For example, when the MW-C clip is used at the maximum load of 400 kg ($F = 3.92$ kN), the prying factor and effective tensile load transferred to the anchor for different angles is shown in the table below. The higher the angle, the higher the tensile load resulting at the anchor. For certain set-ups, the load capacity of the anchor within a certain base material may be the limiting factor. This must be calculated to ensure that the load capacity of the anchor is not exceeded.

Angle relative to the base material, θ	0°	15°	30°	45°	60°	75°	90°
Prying factor, Pr	0.42	0.41	0.66	1.19	1.65	1.99	2.19
Tensile load (kN) transferred to the anchor at the maximum load capacity of the clip ($F = 3.92$ kN)	1.66	1.60	2.60	4.68	6.46	7.79	8.60

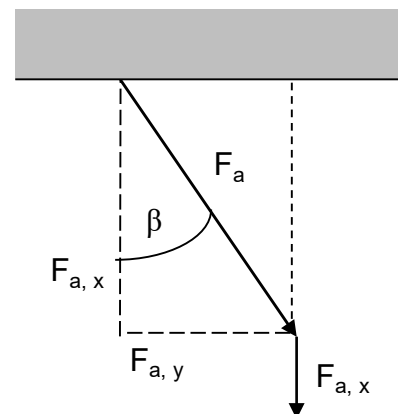
HANGING AT NON-VERTICAL ANGLES

When a load is not hung vertically, the angle, β , is the angle of the load relative to the vertical axis. The tables of allowed loads F_a for the **wire kits** are based on the load being suspended vertically $\beta = 0^\circ$. For any other angle ($\beta > 0^\circ$), the vertical component of the allowed load $F_{a,x}$ is reduced according to trigonometry using the formula below:

$$F_{a,x} = F_a \cos(\beta)$$

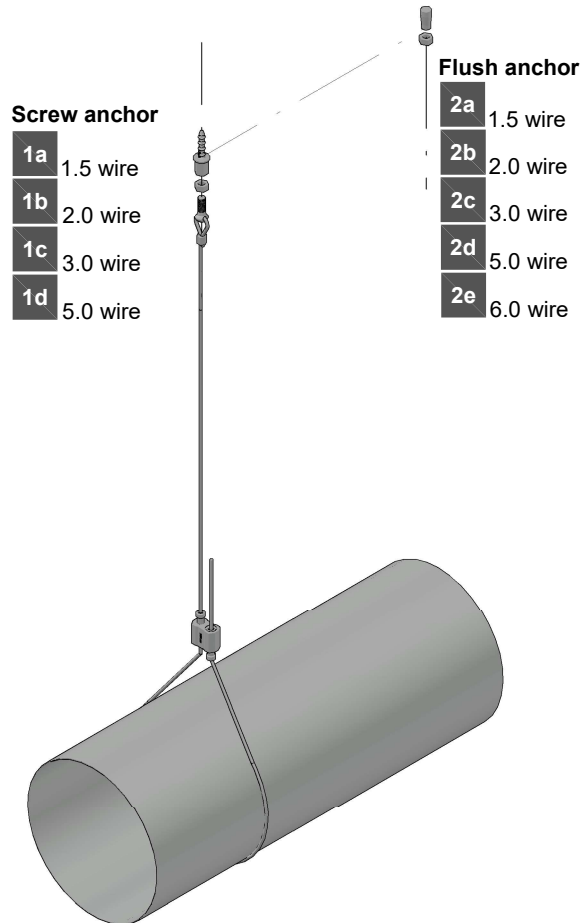
The horizontal load can also be calculated:

$$F_{a,y} = F_a \sin(\beta)$$



Ventilation - Single Fastening Point Fixed On a Concrete Slab:

1a		1a	Screw anchor, M8 support 1.5 wire		2a	Flush anchor, M8 support 1.5, 2.0, 3.0 wire
		1x	screw anchor HUS-I 6x35 M8/M10 anchor 416740 HUS-I 6x55 M8/M10 anchor 423180 M8 nut 2184504		1x	flush anchor HKD M8x25 anchor 376957 HKD M8x30 anchor 376959 HKD M8x40 anchor 376961 M8 nut 2184504
1b		1b	Screw anchor, M8 support 2.0 wire		2b	Flush anchor, M8 support 1.5, 2.0, 3.0 wire
		1x	screw anchor HUS-I 6x35 M8/M10 anchor 416740 HUS-I 6x55 M8/M10 anchor 423180 M8 nut 2184504		1x	flush anchor HKD M8x25 anchor 376957 HKD M8x30 anchor 376959 HKD M8x40 anchor 376961 M8 nut 2184504
1c		1c	Screw anchor, M8 support 3.0 wire		2c	Flush anchor, M8 support 1.5, 2.0, 3.0 wire
		1x	screw anchor HUS-I 6x35 M8/M10 anchor 416740 HUS-I 6x55 M8/M10 anchor 423180 M8 nut 2184504		1x	flush anchor HKD M8x25 anchor 376957 HKD M8x30 anchor 376959 HKD M8x40 anchor 376961 M8 nut 2184504
1d		1d	Screw anchor, M10 support 5.0 wire		2d	Flush anchor, M10 support 5.0 wire
		1x	screw anchor HUS-I 6x35 M8/M10 anchor 416740 HUS-I 6x55 M8/M10 anchor 423180 M10 nut 2184505		1x	flush anchor HKD M10x25 anchor 2037453 HKD M10x30 anchor 376965 HKD M10x40 anchor 376967 M10 nut 2184505
2e		2e	Flush anchor, M12 support 6.0 wire		2e	Flush anchor, M12 support 6.0 wire
		1x	flush anchor HKD M12x50 anchor 378544 M 12 nut 2184554		1x	flush anchor HKD M12x50 anchor 378544 M 12 nut 2184554
1a		1a	Screw anchor, M8 support 1.5 wire		2a	Flush anchor, M8 support 1.5, 2.0, 3.0 wire
		1x	screw anchor HUS-I 6x35 M8/M10 anchor 416740 HUS-I 6x55 M8/M10 anchor 423180 M8 nut 2184504		1x	flush anchor HKD M8x25 anchor 376957 HKD M8x30 anchor 376959 HKD M8x40 anchor 376961 M8 nut 2184504
1b		1b	Screw anchor, M8 support 2.0 wire		2b	Flush anchor, M8 support 1.5, 2.0, 3.0 wire
		1x	screw anchor HUS-I 6x35 M8/M10 anchor 416740 HUS-I 6x55 M8/M10 anchor 423180 M8 nut 2184504		1x	flush anchor HKD M8x25 anchor 376957 HKD M8x30 anchor 376959 HKD M8x40 anchor 376961 M8 nut 2184504
1c		1c	Screw anchor, M8 support 3.0 wire		2c	Flush anchor, M8 support 1.5, 2.0, 3.0 wire
		1x	screw anchor HUS-I 6x35 M8/M10 anchor 416740 HUS-I 6x55 M8/M10 anchor 423180 M8 nut 2184504		1x	flush anchor HKD M8x25 anchor 376957 HKD M8x30 anchor 376959 HKD M8x40 anchor 376961 M8 nut 2184504
1d		1d	Screw anchor, M10 support 5.0 wire		2d	Flush anchor, M10 support 5.0 wire
		1x	screw anchor HUS-I 6x35 M8/M10 anchor 416740 HUS-I 6x55 M8/M10 anchor 423180 M10 nut 2184505		1x	flush anchor HKD M10x25 anchor 2037453 HKD M10x30 anchor 376965 HKD M10x40 anchor 376967 M10 nut 2184505
2e		2e	Flush anchor, M12 support 6.0 wire		2e	Flush anchor, M12 support 6.0 wire
		1x	flush anchor HKD M12x50 anchor 378544 M 12 nut 2184554		1x	flush anchor HKD M12x50 anchor 378544 M 12 nut 2184554

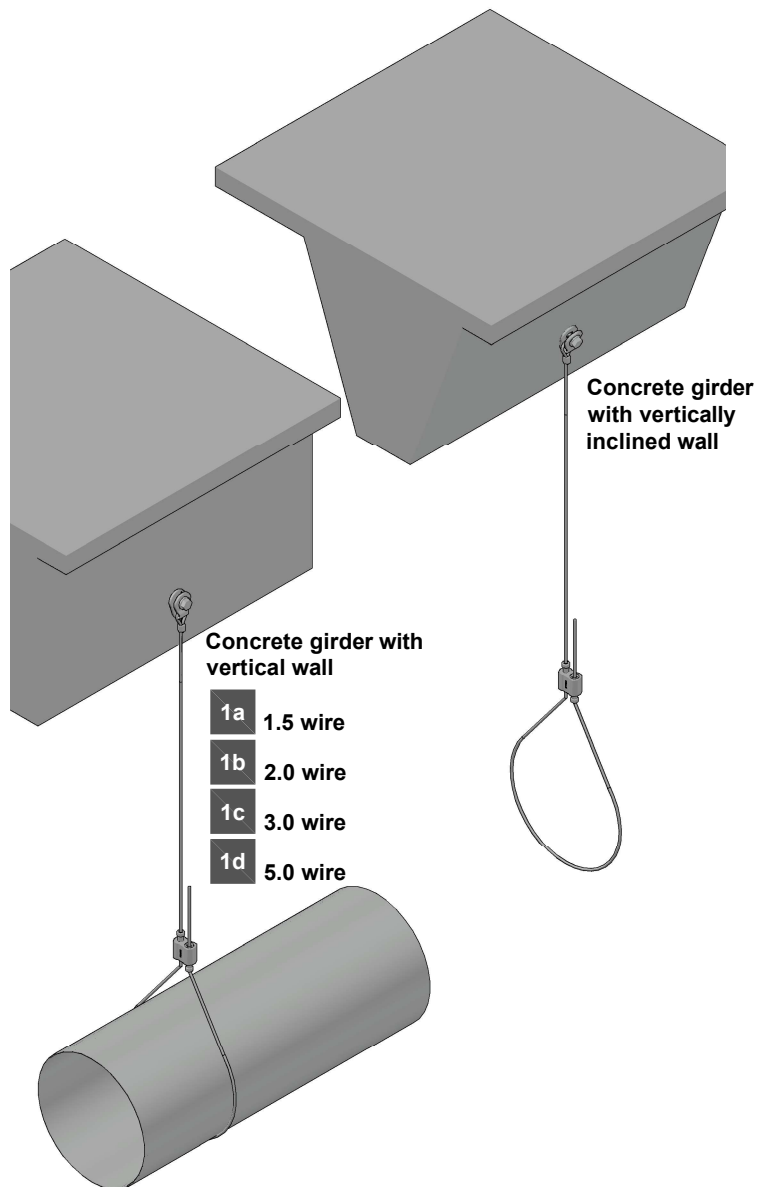


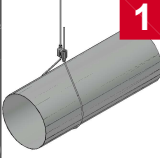
Application description	Application	Product lines	Base material
Wire system - Ventilation - Single Fastening Point On Concrete	1	Wire system	Concrete
General comments		Anchors	
<ul style="list-style-type: none"> Loading must always be compared with the capacity of the anchor within the chosen base material Only for vertically suspended loads. Eye-bolt not suitable for bracing. 			

Hilti strongly advises customers to verify the respective product application for the intended use by consulting a structural engineer and making the necessary calculations to ensure compliance with the applicable norms and standards. Failure to consult and heed the advice of a structural engineer will free Hilti from any liability. It is essential that the product is used strictly in accordance with the applicable Hilti instructions for use, within the application limits specified in the Hilti technical data sheets, technical specifications and supporting product literature, and that the relevant application limits are not exceeded at any time. All rights reserved by Hilti Corporation. Duplication, utilization and/or publication of drawings contained in this manual are not permitted unless expressly agreed by Hilti Corporation.

Ventilation - Single Fastening Point Fixed On Side Of a Concrete Girder:

<p>1a</p>	<p>1a Clip Attachment 1.5 wire</p> <p>Clip 1x MW-C clip 2287563 Anchor 1x HUS3-H 8x75 25/15/5 anchor 2079796 HST3 M10x90 30/10 anchor 2105712</p> <p>Loop combo 1x Loop and lock Kit MW-LP L 1.5/1m 2280072 Kit MW-LP L 1.5/2m 2280073 Kit MW-LP L 1.5/3m 2280074 Kit MW-LP L 1.5/5m 2280075 Kit MW-LP L 1.5/10m 2280076</p>
<p>1b</p>	<p>1b Clip Attachment 2.0 wire</p> <p>Clip 1x MW-C clip 2287563 Anchor 1x HUS3-H 8x75 25/15/5 anchor 2079796 HST3 M10x90 30/10 anchor 2105712</p> <p>Loop combo 1x loop and lock Kit MW-LP L 2.0/1m 2280077 Kit MW-LP L 2.0/2m 2280078 Kit MW-LP L 2.0/3m 2280079 Kit MW-LP L 2.0/5m 2280080 Kit MW-LP L 2.0/10m 2280081</p>
<p>1c</p>	<p>1c Clip Attachment 3.0 wire</p> <p>Clip 1x MW-C clip 2287563 Anchor 1x HUS3-H 8x75 25/15/5 anchor 2079796 HST3 M10x90 30/10 anchor 2105712</p> <p>Loop combo 1x loop and lock Kit MW-LP L 3.0/1m 2280082 Kit MW-LP L 3.0/2m 2280083 Kit MW-LP L 3.0/3m 2280084 Kit MW-LP L 3.0/5m 2280085 Kit MW-LP L 3.0/10m 2280086</p>
<p>1d</p>	<p>1d Clip Attachment 5.0 wire</p> <p>Clip 1x MW-C clip 2287563 Anchor 1x HUS3-H 8x75 25/15/5 anchor 2079796 HST3 M10x90 30/10 anchor 2105712</p> <p>Loop combo 1x loop and lock Kit MW-LP L 5.0/1m 2287096 Kit MW-LP L 5.0/2m 2287097 Kit MW-LP L 5.0/3m 2287098 Kit MW-LP L 5.0/5m 2287099 Kit MW-LP L 5.0/10m 2287580</p>



Application description	Application	Product lines	Base material
Wire system - Ventilation - Single Fastening Point On Side of a Concrete Girder	 1	Wire system	Concrete
<p>General comments</p> <ul style="list-style-type: none"> Loading must always be compared with the capacity with the capacity of the anchor within the chosen base material. This capacity is affected by the angle of loading from the vertical and the prying factor Only one wire may be suspended on each clip 		Anchors	

Hilti strongly advises customers to verify the respective product application for the intended use by consulting a structural engineer and making the necessary calculations to ensure compliance with the applicable norms and standards. Failure to consult and heed the advice of a structural engineer will free Hilti from any liability. It is essential that the product is used strictly in accordance with the applicable Hilti instructions for use, within the application limits specified in the Hilti technical data sheets, technical specifications and supporting product literature, and that the relevant application limits are not exceeded at any time. All rights reserved by Hilti Corporation. Duplication, utilization and/or publication of drawings contained in this manual are not permitted unless expressly agreed by Hilti Corporation.

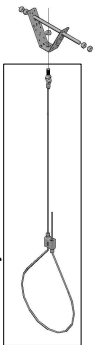
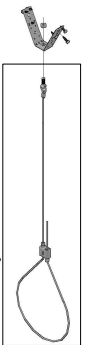



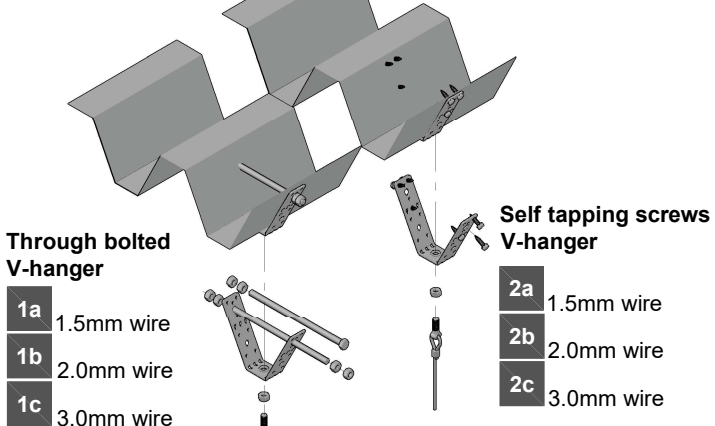
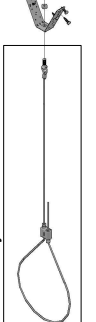
Ventilation - Single Fastening Point Fixed On Metal Deck:

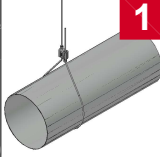
<p>loop combo</p>	<p>1a Deck hook 1.5 wire</p> <p>Deck hook 1x MW-DH deck hook 2277567</p> <p>Loop combo 1x loop and lock</p> <p>Kit MW-LP L 1.5/1m 2280072 Kit MW-LP L 1.5/2m 2280073 Kit MW-LP L 1.5/3m 2280074 Kit MW-LP L 1.5/5m 2280075 Kit MW-LP L 1.5/10m 2280076</p>	<p>eyebolt combo</p>	<p>2c Through bolted V-hanger 3.0 wire</p> <p>V-Hanger 1x MF-TSH M8 V-hanger 229006 1x M8 nut 2184504</p> <p>Through-bolt version 1-t-rod 1x AM8x1000 fixed t-rod 339793 4x M8 nut 2184504</p> <p>Through-bolt ver. 2-long h-head screw 1x M8x120 4.8 hex. head sc. 2063165 2x M8 nut 2184504</p> <p>Eyebolt combo 1x eyebolt and lock</p> <p>Kit MW-EB M8 L 3.0/1m 2280049 Kit MW-EB M8 L 3.0/2m 2280050 Kit MW-EB M8 L 3.0/3m 2280051 Kit MW-EB M8 L 3.0/5m 2280052 Kit MW-EB M8 L 3.0/10m 2280053</p>
<p>loop combo</p>	<p>1b Deck hook 2.0 wire</p> <p>Deck hook 1x MW-DH deck hook 2277567</p> <p>Loop combo 1x loop and lock</p> <p>Kit MW-LP L 2.0/1m 2280077 Kit MW-LP L 2.0/2m 2280078 Kit MW-LP L 2.0/3m 2280079 Kit MW-LP L 2.0/5m 2280080 Kit MW-LP L 2.0/10m 2280081</p>	<p>Through bolted V-hanger</p>	
<p>eyebolt combo</p>	<p>2a Through bolted V-hanger 1.5 wire</p> <p>V-Hanger 1x MF-TSH M8 V-hanger 229006 1x M8 nut 2184504</p> <p>Through-bolt version 1 t-rod 1x AM8x1000 fixed t-rod 339793 4x M8 nut 2184504</p> <p>Through-bolt screw 1x M8x120 4.8 h-head screw 2063165 2x M8 nut 2184504</p> <p>Eyebolt combo 1x eyebolt and lock</p> <p>Kit MW-EB M8 L 1.5/1m 2280019 Kit MW-EB M8 L 1.5/2m 2280040 Kit MW-EB M8 L 1.5/3m 2280041 Kit MW-EB M8 L 1.5/5m 2280042 Kit MW-EB M8 L 1.5/10m 2280043</p>	<p>Deck hook</p> <p>1a 1.5 wire 1b 2.0 wire</p>	
<p>eyebolt combo</p>	<p>2b Through bolted V-hanger 2.0 wire</p> <p>V-Hanger 1x MF-TSH M8 V-hanger 229006 1x M8 nut 2184504</p> <p>Through-bolt version 1-t-rod 1x AM8x1000 fixed t-rod 339793 4x M8 nut 2184504</p> <p>Through-bolt ver. 2-long h-head screw 1x M8x120 4.8 hex. head sc. 2063165 2x M8 nut 2184504</p> <p>Eyebolt combo 1x eyebolt and lock</p> <p>Kit MW-EB M8 L 2.0/1m 2280044 Kit MW-EB M8 L 2.0/2m 2280045 Kit MW-EB M8 L 2.0/3m 2280046 Kit MW-EB M8 L 2.0/5m 2280047 Kit MW-EB M8 L 2.0/10m 2280048</p>	<p>2a 1.5 wire 2b 2.0 wire 2c 3.0 wire</p>	

Application description	Application	Product lines	Base material
Wire system - Ventilation - Single Fastening Point On Metal Deck	<p>1</p>	Wire system	Metal deck
General comments <ul style="list-style-type: none"> Loading must always be compared with the capacity of the metal deck and where relevant the V-hanger The deck hook must hang vertically from the deck and is for vertical loads only. Only one wire may be suspended on each deck hook. 		Anchors	

Hilti strongly advises customers to verify the respective product application for the intended use by consulting a structural engineer and making the necessary calculations to ensure compliance with the applicable norms and standards. Failure to consult and heed the advice of a structural engineer will free Hilti from any liability. It is essential that the product is used strictly in accordance with the applicable Hilti instructions for use, within the application limits specified in the Hilti technical data sheets, technical specifications and supporting product literature, and that the relevant application limits are not exceeded at any time. All rights reserved by Hilti Corporation. Duplication, utilization and/or publication of drawings contained in this manual are not permitted unless expressly agreed by Hilti Corporation.

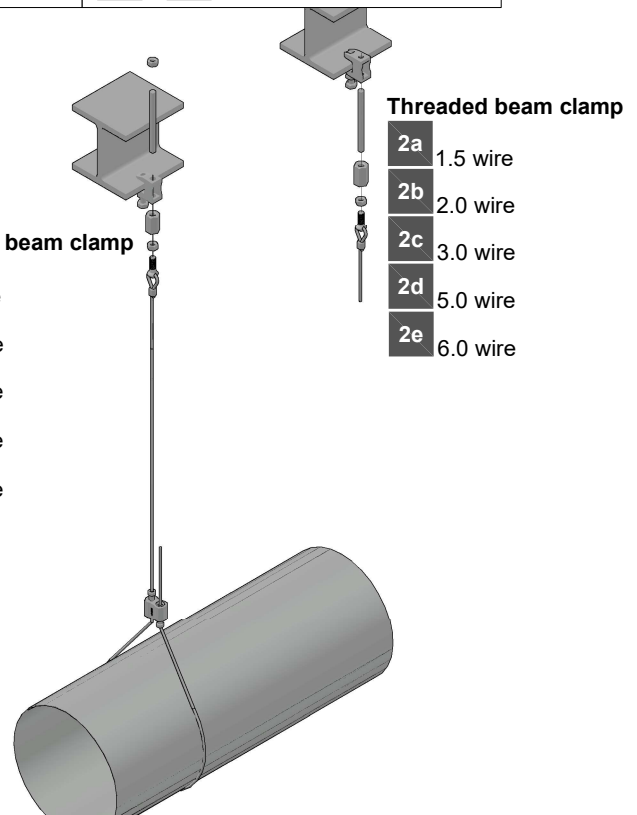
Ventilation - Single Fastening Point Fixed On Metal Deck:

<p>1a</p>  <p>eyebolt combo</p>	<p>1a Through bolted V hanger with integrated nut, 1.5 wire</p> <p>V-Hanger 1x MVA-MS M8 V-hanger 386558 1x M8 nut 2184504</p> <p>Through-bolt version 1-t-rod 1x AM8x1000 fixed t-rod 339793 4x M8 nut 2184504</p> <p>Eyebolt combo 1x eyebolt and lock Kit MW-EB M8 L 1.5/1m 2280019 Kit MW-EB M8 L 1.5/2m 2280040 Kit MW-EB M8 L 1.5/3m 2280041 Kit MW-EB M8 L 1.5/5m 2280042 Kit MW-EB M8 L 1.5/10m 2280043</p>	<p>2b</p>  <p>eyebolt combo</p>	<p>2b Self-tapping screws and V-Hanger with integrated hex nut, 2.0 wire</p> <p>V-Hanger 1x MVA-MS M8 V-hanger 386558 1x M8 nut 2184504</p> <p>Self-tapping screws 6x S-MS 01Z 4.0x13 S-screw 406471</p> <p>Eyebolt combo 1x eyebolt and lock Kit MW-EB M8 L 2.0/1m 2280044 Kit MW-EB M8 L 2.0/2m 2280045 Kit MW-EB M8 L 2.0/3m 2280046 Kit MW-EB M8 L 2.0/5m 2280047 Kit MW-EB M8 L 2.0/10m 2280048</p>
<p>1b</p>  <p>eyebolt combo</p>	<p>1b Through bolted V hanger with integrated nut, 2.0 wire</p> <p>V-Hanger 1x MVA-MS M8 V-hanger 386558 1x M8 nut 2184504</p> <p>Through-bolt version 1-t-rod 1x AM8x1000 fixed t-rod 339793 4x M8 nut 2184504</p> <p>Eyebolt combo 1x eyebolt and lock Kit MW-EB M8 L 2.0/1m 2280044 Kit MW-EB M8 L 2.0/2m 2280045 Kit MW-EB M8 L 2.0/3m 2280046 Kit MW-EB M8 L 2.0/5m 2280047 Kit MW-EB M8 L 2.0/10m 2280048</p>	<p>2c</p>  <p>eyebolt combo</p>	<p>2c Self-tapping screws and V-Hanger with integrated hex nut, 3.0 wire</p> <p>V-Hanger 1x MVA-MS M8 V-hanger 386558 1x M8 nut 2184504</p> <p>Self-tapping screws 6x S-MS 01Z 4.0x13 S-screw 406471</p> <p>Eyebolt combo 1x eyebolt and lock Kit MW-EB M8 L 3.0/1m 2280049 Kit MW-EB M8 L 3.0/2m 2280050 Kit MW-EB M8 L 3.0/3m 2280051 Kit MW-EB M8 L 3.0/5m 2280052 Kit MW-EB M8 L 3.0/10m 2280053</p>
<p>1c</p>  <p>eyebolt combo</p>	<p>1c Through bolted V hanger with integrated nut, 3.0 wire</p> <p>V-Hanger 1x MVA-MS M8 V-hanger 386558 1x M8 nut 2184504</p> <p>Through-bolt version 1-t-rod 1x AM8x1000 fixed t-rod 339793 4x M8 nut 2184504</p> <p>Eyebolt combo 1x eyebolt and lock Kit MW-EB M8 L 3.0/1m 2280049 Kit MW-EB M8 L 3.0/2m 2280050 Kit MW-EB M8 L 3.0/3m 2280051 Kit MW-EB M8 L 3.0/5m 2280052 Kit MW-EB M8 L 3.0/10m 2280053</p>	 <p>Through bolted V-hanger</p> <p>1a 1.5mm wire 1b 2.0mm wire 1c 3.0mm wire</p> <p>Self tapping screws V-hanger</p> <p>2a 1.5mm wire 2b 2.0mm wire 2c 3.0mm wire</p>	
<p>2a</p>  <p>eyebolt combo</p>	<p>2a Self-tapping screws and V-Hanger with integrated hex nut, 1.5 wire</p> <p>V-Hanger 1x MVA-MS M8 V-hanger 386558 1x M8 nut 2184504</p> <p>Self-tapping screws 6x S-MS 01Z 4.0x13 S-screw 406471</p> <p>Eyebolt combo 1x eyebolt and lock Kit MW-EB M8 L 1.5/1m 2280019 Kit MW-EB M8 L 1.5/2m 2280040 Kit MW-EB M8 L 1.5/3m 2280041 Kit MW-EB M8 L 1.5/5m 2280042 Kit MW-EB M8 L 1.5/10m 2280043</p>		

Application description	Application	Product lines	Base material
Wire system - Ventilation - Single Fastening Point On Metal Deck	 <p>1</p>	Wire system	Metal Deck
<p>General comments</p> <ul style="list-style-type: none"> Loading must always be compared with the capacity of the metal deck and V-hanger Only for vertically suspended loads. Not suitable for bracing. 		Anchors	

Ventilation - Single Fastening Point Fixed On Structural Steel Using Beam Clamp:

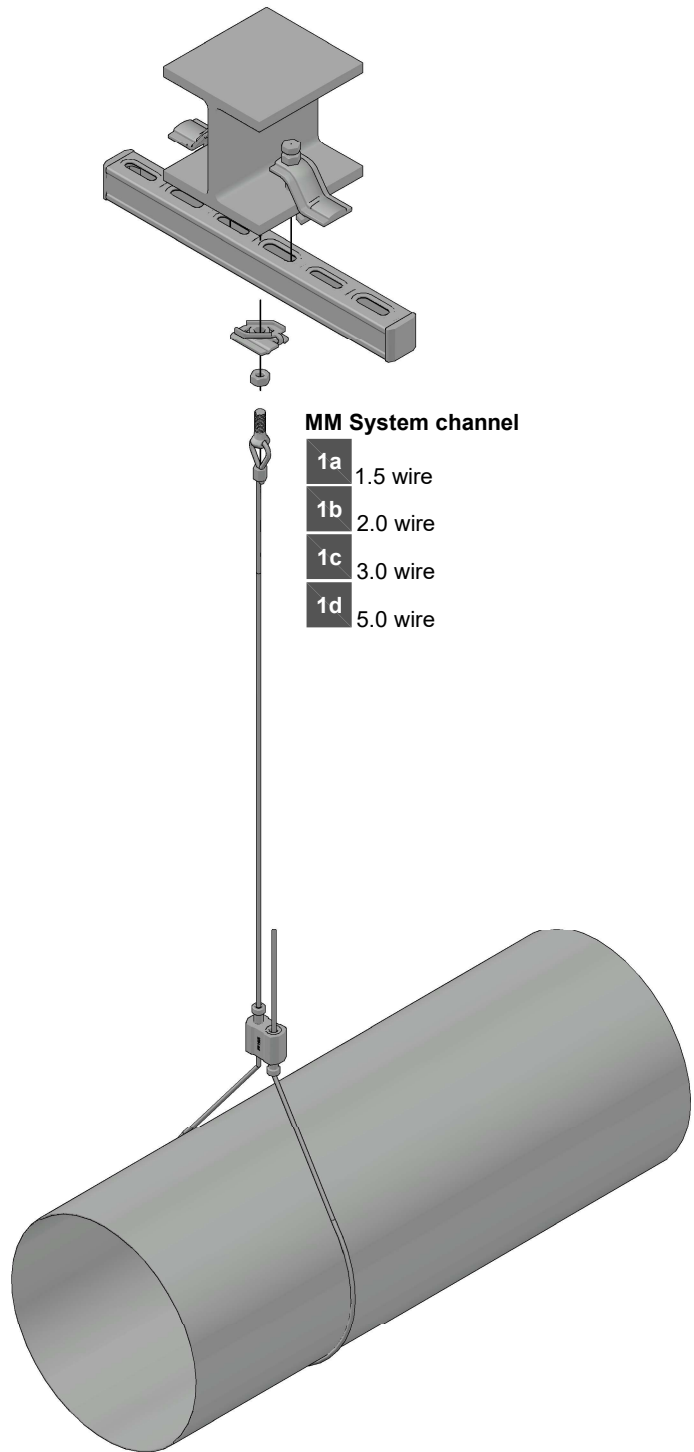
1a		1a Unthreaded beam clamp 1.5 wire	2a	2a-c Threaded beam clamp 1.5 - 3.0 wire
		Beam clamp 1x MAB-9 beam clamp 375956 2x M8 nut 2184504 1x M8x1000 4.8 threaded rod 2140926 1x M8x25 coupler 216703 Eyebolt combo 1x eyebolt and lock Kit MW-EB M8 L 1.5/1m 2280019 Kit MW-EB M8 L 1.5/2m 2280040 Kit MW-EB M8 L 1.5/3m 2280041 Kit MW-EB M8 L 1.5/5m 2280042 Kit MW-EB M8 L 1.5/10m 2280043		Beam clamp 1x MAB-M8 beam clamp 2006878 1x M8x1000 4.8 threaded rod 2140926 1x M8x25 coupler 216703 1x M8 nut 2184504 Eyebolt combo 1x the same combos as 2a → 1a 2b → 1b 2c → 1c
1b		1b Unthreaded beam clamp 2.0 wire	2d	2d Threaded beam clamp 5.0 wire
		Beam clamp 1x MAB-9 beam clamp 375956 2x M8 nut 2184504 1x M8x1000 4.8 threaded rod 2140926 1x M8x25 coupler 216703 Eyebolt combo 1x eyebolt and lock Kit MW-EB M8 L 2.0/1m 2280044 Kit MW-EB M8 L 2.0/2m 2280045 Kit MW-EB M8 L 2.0/3m 2280046 Kit MW-EB M8 L 2.0/5m 2280047 Kit MW-EB M8 L 2.0/10m 2280048		Beam clamp 1x MAB-M10 beam clamp 2006879 1x M10x1000 4.8 threaded rod 339795 1x M10x30 coupler 216704 1x M10 nut 2184505 Eyebolt combo 1x the same combos as 2d → 1d
1c		1c Unthreaded beam clamp 3.0 wire	2e	2e Threaded beam clamp 6.0 wire
		Beam clamp 1x MAB-9 beam clamp 375956 2x M8 nut 2184504 1x M8x1000 4.8 threaded rod 2140926 1x M8x25 coupler 216703 Eyebolt combo 1x eyebolt and lock Kit MW-EB M8 L 3.0/1m 2280049 Kit MW-EB M8 L 3.0/2m 2280050 Kit MW-EB M8 L 3.0/3m 2280051 Kit MW-EB M8 L 3.0/5m 2280052 Kit MW-EB M8 L 3.0/10m 2280053		Beam clamp 1x MAB-M12 beam clamp 2007210 1x M12x1000 4.8 threaded rod 339797 1x M12x40 coupler 216705 1x M12 nut 2184554 Eyebolt combo 1x the same combos as 2e → 1e
1d		1d Unthreaded beam clamp 5.0 wire	1a 1.5 wire	2a 1.5 wire
		Beam clamp 1x MAB-11 beam clamp 375957 2x M10 nut 2184505 1x M10x1000 4.8 threaded rod 2140929 1x M10x30 coupler 216704 Eyebolt combo 1x eyebolt and lock Kit MW-EB M10 L 5.0/1m 2280054 Kit MW-EB M10 L 5.0/2m 2280055 Kit MW-EB M10 L 5.0/3m 2280056 Kit MW-EB M10 L 5.0/5m 2280057 Kit MW-EB M10 L 5.0/10m 2280058		
1e		1e Unthreaded beam clamp 6.0 wire	1c 3.0 wire	2c 3.0 wire
		Beam clamp 1x MAB-13 beam clamp 375958 2x M12 nut 2184554 1x M12x1000 4.8 threaded rod 2141072 1x M12x40 coupler 216705 Eyebolt combo 1x eyebolt and lock Kit MW-EB M12 L 6.0/3m 2280059 Kit MW-EB M12 L 6.0/5m 2280060 Kit MW-EB M12 L 6.0/10m 2280061		
			1e 6.0 wire	2e 6.0 wire

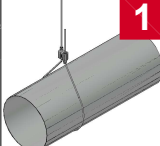


Application description	Application	Product lines	Base material
Wire system - Ventilation - Single Fastening Point On Structural Steel		1 Wire system	Structural steel
General comments <ul style="list-style-type: none"> Loading must always be compared with the capacity of the beam clamp and structural steel Only for vertically suspended loads. Not suitable for bracing. 		Anchors	

Ventilation - Single Fastening Point Fixed On Structural Steel - Centric solution using MM Channel System:

<p>1a</p>	<p>1a Centric fixation of MM System channel, 1.5 wire</p> <p>Clamps 2x MM-T-16-36 418763</p> <p>Channel e.g. 1x MM-C-30 2mm 418749</p> <p>Saddle nut 1x MM-S M8 418760</p> <p>Nut 1x M8 nut 2184504</p> <p>Eyebolt combo 1x eyebolt and lock</p> <p>Kit MW-EB M8 L 1.5/1m 2280019 Kit MW-EB M8 L 1.5/2m 2280040 Kit MW-EB M8 L 1.5/3m 2280041 Kit MW-EB M8 L 1.5/5m 2280042 Kit MW-EB M8 L 1.5/10m 2280043</p>
<p>1b</p>	<p>1b Centric fixation of MM System channel, 2.0 wire</p> <p>Clamps 2x MM-T-16-36 418763</p> <p>Channel e.g. 1x MM-C-30 2mm 418749</p> <p>Saddle nut 1x MM-S M8 418760</p> <p>Nut 1x M8 nut 2184504</p> <p>Eyebolt combo 1x eyebolt and lock</p> <p>Kit MW-EB M8 L 2.0/1m 2280044 Kit MW-EB M8 L 2.0/2m 2280045 Kit MW-EB M8 L 2.0/3m 2280046 Kit MW-EB M8 L 2.0/5m 2280047 Kit MW-EB M8 L 2.0/10m 2280048</p>
<p>1c</p>	<p>1c Centric fixation of MM System channel, 3.0 wire</p> <p>Clamps 2x MM-T-16-36 418763</p> <p>Channel e.g. 1x MM-C-30 2mm 418749</p> <p>Saddle nut 1x MM-S M8 418760</p> <p>Nut 1x M8 nut 2184504</p> <p>Eyebolt combo 1x eyebolt and lock</p> <p>Kit MW-EB M8 L 3.0/1m 2280049 Kit MW-EB M8 L 3.0/2m 2280050 Kit MW-EB M8 L 3.0/3m 2280051 Kit MW-EB M8 L 3.0/5m 2280052 Kit MW-EB M8 L 3.0/10m 2280053</p>
<p>1d</p>	<p>1d Centric fixation of MM System channel, 5.0 wire</p> <p>Clamps 2x MM-T-16-36 418763</p> <p>Channel e.g. 1x MM-C-30 2mm 418749</p> <p>Saddle nut 1x MM-S M10 418761</p> <p>Nut 1x M10 nut 2184505</p> <p>Eyebolt combo 1x eyebolt and lock</p> <p>Kit MW-EB M10 L 5.0/1m 2280054 Kit MW-EB M10 L 5.0/2m 2280055 Kit MW-EB M10 L 5.0/3m 2280056 Kit MW-EB M10 L 5.0/5m 2280057 Kit MW-EB M10 L 5.0/10m 2280058</p>



Application description	Application	Product lines	Base material
Wire system - Ventilation - Single Fastening Point On Steel - MM System		Wire system	Steel
<p>General comments</p> <ul style="list-style-type: none"> Loading must always be compared with the capacity of all connected parts Only for vertically suspended loads. Not suitable for bracing. 		MM System	

Hilti strongly advises customers to verify the respective product application for the intended use by consulting a structural engineer and making the necessary calculations to ensure compliance with the applicable norms and standards. Failure to consult and heed the advice of a structural engineer will free Hilti from any liability. It is essential that the product is used strictly in accordance with the applicable Hilti instructions for use, within the application limits specified in the Hilti technical data sheets, technical specifications and supporting product literature, and that the relevant application limits are not exceeded at any time. All rights reserved by Hilti Corporation. Duplication, utilization and/or publication of drawings contained in this manual are not permitted unless expressly agreed by Hilti Corporation.

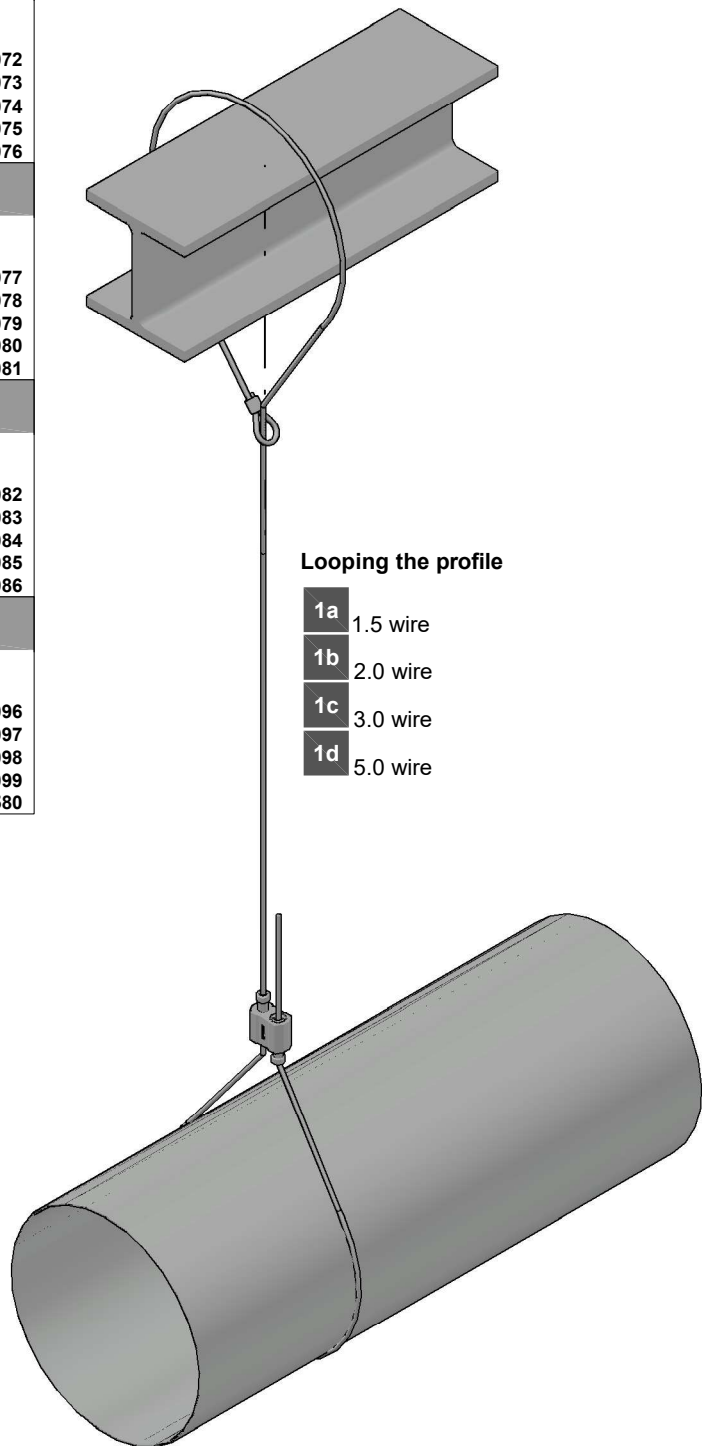
Ventilation - Single Fastening Point Fixed On Structural Steel - Centric solution using MQ Channel System:

<p>1a</p>	<p>1a Centric fixation of MQ System channel, 1.5 wire</p> <p>2x MQT-U beam clamp 2115454 1x MQ-41 3m channel 369591 1x MQA-S-M8 saddle nut 2141906 1x M8 nut 2184504</p> <p>Eyebolt combo 1x eyebolt and lock Kit MW-EB M8 L 1.5/1m 2280019 Kit MW-EB M8 L 1.5/2m 2280040 Kit MW-EB M8 L 1.5/3m 2280041 Kit MW-EB M8 L 1.5/5m 2280042 Kit MW-EB M8 L 1.5/10m 2280043</p>	<p>2a</p>	<p>2a - c Centric fixation of MQ System channel, 1.5 - 3.0 wire</p> <p>2x MQT-21-41 beam clamp 369675 1x MQ-41 3m ...m channel 369591 1x MQA-S-M8 saddle nut 2141906 1x M8 nut 2184504</p> <p>Eyebolt combo 1x the same combos as</p> <p>2a → 1a 2b → 1b 2c → 1c</p>
<p>1b</p>	<p>1b Centric fixation of MQ System channel, 2.0 wire</p> <p>2x MQT-U beam clamp 2115454 1x MQ-41 3m channel 369591 1x MQA-S-M8 saddle nut 2141906 1x M8 nut 2184504</p> <p>Eyebolt combo 1x eyebolt and lock Kit MW-EB M8 L 2.0/1m 2280044 Kit MW-EB M8 L 2.0/2m 2280045 Kit MW-EB M8 L 2.0/3m 2280046 Kit MW-EB M8 L 2.0/5m 2280047 Kit MW-EB M8 L 2.0/10m 2280048</p>	<p>2d</p>	<p>2d Centric fixation of MQ System channel, 5.0 wire</p> <p>2x MQT-21-41 beam clamp 369675 1x MQ-41 3m ...m channel 369591 1x MQA-S-M10 saddle nut 2141907 1x M10 nut 2184505</p> <p>Eyebolt combo 1x the same combos as</p> <p>2d → 1d</p>
<p>1c</p>	<p>1c Centric fixation of MQ System channel, 3.0 wire</p> <p>2x MQT-U beam clamp 2115454 1x MQ-41 3m channel 369591 1x MQA-S-M8 saddle nut 2141906 1x M8 nut 2184504</p> <p>Eyebolt combo 1x eyebolt and lock Kit MW-EB M8 L 3.0/1m 2280049 Kit MW-EB M8 L 3.0/2m 2280050 Kit MW-EB M8 L 3.0/3m 2280051 Kit MW-EB M8 L 3.0/5m 2280052 Kit MW-EB M8 L 3.0/10m 2280053</p>	<p>2e</p>	<p>2e Centric fixation of MQ System channel, 6.0 wire</p> <p>2x MQT-U beam clamp 2115454 1x MQ-41 3m channel 369591 1x MQA-M12-B saddle nut 2199453 1x M12 nut 2184554</p> <p>Eyebolt combo 1x the same combos as</p> <p>2e → 1e</p>
<p>1d</p>	<p>1d Centric fixation of MQ System channel, 5.0 wire</p> <p>2x MQT-U beam clamp 2115454 1x MQ-41 3m channel 369591 1x MQA-S-M10 saddle nut 2141907 1x M10 nut 2184505</p> <p>Eyebolt combo 1x eyebolt and lock Kit MW-EB M10 L 5.0/1m 2280054 Kit MW-EB M10 L 5.0/2m 2280055 Kit MW-EB M10 L 5.0/3m 2280056 Kit MW-EB M10 L 5.0/5m 2280057 Kit MW-EB M10 L 5.0/10m 2280058</p>	<p>Beam clamp fixing for bottom of the channel</p> <p>1a 1.5 wire 1b 2.0 wire 1c 3.0 wire 1d 5.0 wire 1e 6.0 wire</p>	
<p>2e</p>	<p>2e Centric fixation of MQ System channel, 6.0 wire</p> <p>2x MQT-U beam clamp 2115454 1x MQ-41 3m channel 369591 1x MQA-M12-B saddle nut 2199453 1x M12 nut 2184554</p> <p>Eyebolt combo 1x eyebolt and lock Kit MW-EB M12 L 6.0/3m 2280059 Kit MW-EB M12 L 6.0/5m 2280060 Kit MW-EB M12 L 6.0/10m 2280061</p>	<p>Beam clamp fixing around the channel</p> <p>2a 1.5 wire 2b 2.0 wire 2c 3.0 wire 2d 5.0 wire 2e 6.0 wire</p>	

Application description	Application	Product lines	Base material
Wire system - Ventilation - Single Fastening Point On Steel - MQ System	<p>1</p>	Wire system	Steel
General comments		MM System	
<ul style="list-style-type: none"> Loading must always be compared with the capacity of all connected parts Only for vertically suspended loads. Not suitable for bracing. 			

Ventilation - Single Fastening Point Fixed On Structural Steel - Looping The Profile:

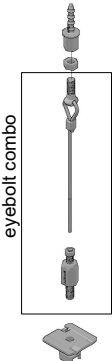

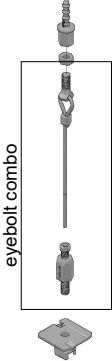
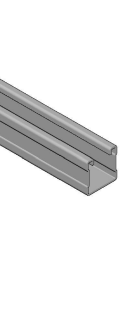
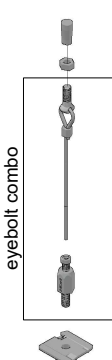

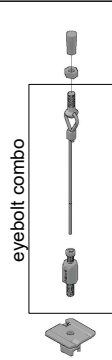
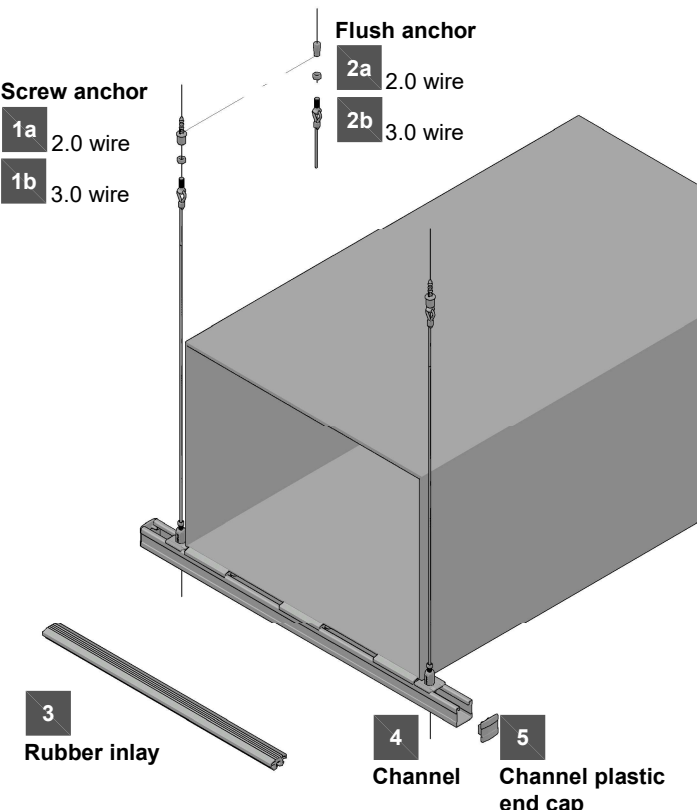
1a		1a Looping the profile with 1.5 wire Loop combo 1x loop and lock Kit MW-LP L 1.5/1m 2280072 Kit MW-LP L 1.5/2m 2280073 Kit MW-LP L 1.5/3m 2280074 Kit MW-LP L 1.5/5m 2280075 Kit MW-LP L 1.5/10m 2280076
1b		1b Looping the profile with 2.0 wire Loop combo 1x loop and lock Kit MW-LP L 2.0/1m 2280077 Kit MW-LP L 2.0/2m 2280078 Kit MW-LP L 2.0/3m 2280079 Kit MW-LP L 2.0/5m 2280080 Kit MW-LP L 2.0/10m 2280081
1c		1c Looping the profile with 3.0 wire Loop combo 1x loop and lock Kit MW-LP L 3.0/1m 2280082 Kit MW-LP L 3.0/2m 2280083 Kit MW-LP L 3.0/3m 2280084 Kit MW-LP L 3.0/5m 2280085 Kit MW-LP L 3.0/10m 2280086
1d		1d Looping the profile with 5.0 wire Loop combo 1x loop and lock Kit MW-LP L 5.0/1m 2287096 Kit MW-LP L 5.0/2m 2287097 Kit MW-LP L 5.0/3m 2287098 Kit MW-LP L 5.0/5m 2287099 Kit MW-LP L 5.0/10m 2287580

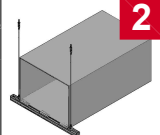


Application description	Application	Product lines	Base material
Wire system - Ventilation - Single Fastening Point On Steel - Looping the profile		Wire system	Steel
General comments <ul style="list-style-type: none"> Loading must always be compared with the capacity of the structural steel Sharp edges must be avoided to prevent damage to the wire 			

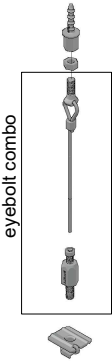
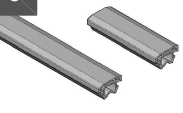
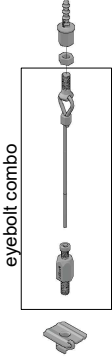
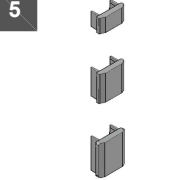
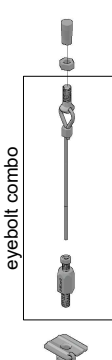
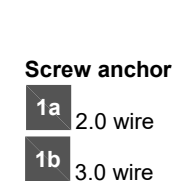
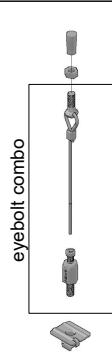
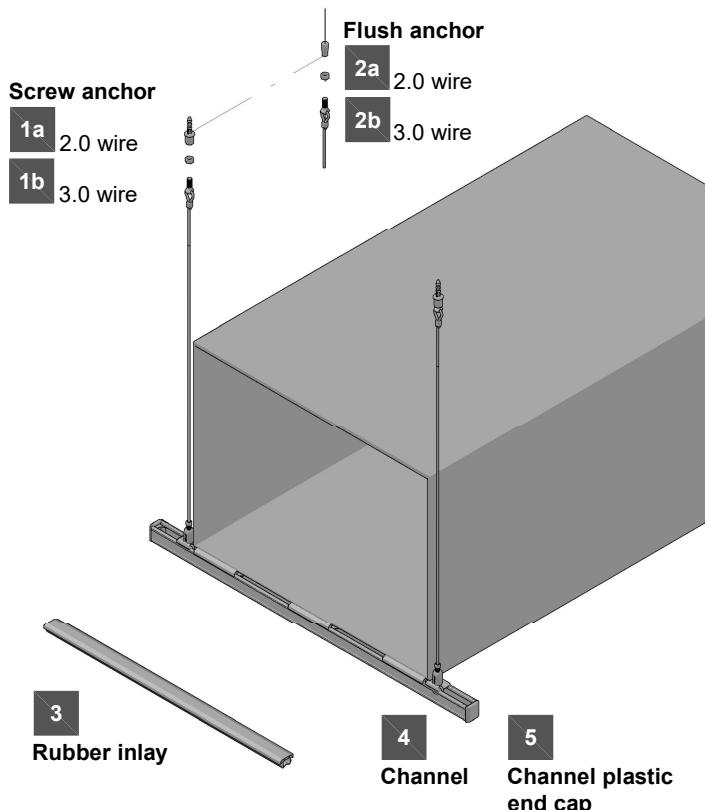
Hilti strongly advises customers to verify the respective product application for the intended use by consulting a structural engineer and making the necessary calculations to ensure compliance with the applicable norms and standards. Failure to consult and heed the advice of a structural engineer will free Hilti from any liability. It is essential that the product is used strictly in accordance with the applicable Hilti instructions for use, within the application limits specified in the Hilti technical data sheets, technical specifications and supporting product literature, and that the relevant application limits are not exceeded at any time. All rights reserved by Hilti Corporation. Duplication, utilization and/or publication of drawings contained in this manual are not permitted unless expressly agreed by Hilti Corporation.

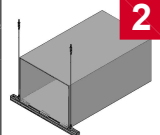
Ventilation - Trapeze Fixed On Concrete Slab - MQ System:

<p>1a</p>  <p>eyebolt combo</p>	<p>1a Screw anchor, M8 support 2.0 wire</p> <p>1x Screw anchor HUS-I 6x35 M8/M10 anchor 416740 HUS-I 6x55 M8/M10 anchor 423180</p> <p>1x M8 nut 2184504</p> <p>Eyebolt combo</p> <p>1x eyebolt and channel lock Kit MW-EB M8 CL 2.0/1m 2280062 Kit MW-EB M8 CL 2.0/2m 2280063 Kit MW-EB M8 CL 2.0/3m 2280064 Kit MW-EB M8 CL 2.0/5m 2280065 Kit MW-EB M8 CL 2.0/10m 2280066</p> <p>Connection to channel</p> <p>1x saddle nut MQA-S-M8 saddle nut 2141906</p>	<p>3</p> 	<p>3 Channel rubber inlay for sound insulation</p> <p>100mm pcs</p> <p>1x MQZ-RI 10cm rubber inlay 2047317</p> <p>20m roll</p> <p>1x MQZ-RI 20m rubber inlay 2047316</p>
<p>1b</p>  <p>eyebolt combo</p>	<p>1b Screw anchor, M8 support 3.0 wire</p> <p>1x Screw anchor HUS-I 6x35 M8/M10 anchor 416740 HUS-I 6x55 M8/M10 anchor 423180</p> <p>1x M8 nut 2184504</p> <p>Eyebolt combo</p> <p>1x eyebolt and channel lock Kit MW-EB M8 CL 3.0/1m 2280067 Kit MW-EB M8 CL 3.0/2m 2280068 Kit MW-EB M8 CL 3.0/3m 2280069 Kit MW-EB M8 CL 3.0/5m 2280070 Kit MW-EB M8 CL 3.0/10m 2280071</p> <p>Connection to channel</p> <p>1x saddle nut MQA-S-M8 saddle nut 2141906</p>	<p>4</p> 	<p>4 Channels</p> <p>21mm channel</p> <p>MQ-21.5 2m channel 2184771 MQ-21.5 3m channel 2184772 MQ-21.5 6m channel 2184773</p> <p>41mm channel</p> <p>MQ-41-L 2m channel 2155538 MQ-41-L 3m channel 2155536</p> <p>MQ-41 2m channel 304559 MQ-41 3m channel 369591 MQ-41 6m channel 369592</p> <p>For more sizes check www.hilti.com</p>
<p>2a</p>  <p>eyebolt combo</p>	<p>2a Flush (drop-in) anchor, M8 support 2.0 wire</p> <p>1x flush anchor HKD M8x25 anchor 416740 HKD M8x30 anchor 376959 HKD M8x40 anchor 376961</p> <p>1x M8 nut 2184504</p> <p>Eyebolt combo</p> <p>1x eyebolt and channel lock Kit MW-EB M8 CL 2.0/1m 2280062 Kit MW-EB M8 CL 2.0/2m 2280063 Kit MW-EB M8 CL 2.0/3m 2280064 Kit MW-EB M8 CL 2.0/5m 2280065 Kit MW-EB M8 CL 2.0/10m 2280066</p> <p>Connection to channel</p> <p>1x saddle nut MQA-S-M8 saddle nut 2141906</p>	<p>5</p> 	<p>5 Channel plastic end caps</p> <p>for channel 21mm</p> <p>MQZ-E21 plastic end cap 370598</p> <p>for channel 41mm</p> <p>MQZ-E41 plastic end cap 369685</p>
<p>2b</p>  <p>eyebolt combo</p>	<p>2b Flush (drop-in) anchor, M8 support 3.0 wire</p> <p>1x flush anchor HKD M8x25 anchor 376957 HKD M8x30 anchor 376959 HKD M8x40 anchor 376961</p> <p>1x M8 nut 2184504</p> <p>Eyebolt combo</p> <p>1x eyebolt and channel lock Kit MW-EB M8 CL 3.0/1m 2280067 Kit MW-EB M8 CL 3.0/2m 2280068 Kit MW-EB M8 CL 3.0/3m 2280069 Kit MW-EB M8 CL 3.0/5m 2280070 Kit MW-EB M8 CL 3.0/10m 2280071</p> <p>Connection to channel</p> <p>1x saddle nut MQA-S-M8 saddle nut 2141906</p>	 <p>1a 2.0 wire</p> <p>1b 3.0 wire</p> <p>2a 2.0 wire</p> <p>2b 3.0 wire</p> <p>3 Rubber inlay</p> <p>4 Channel</p> <p>5 Channel plastic end cap</p>	

Application description	Application	Product lines	Base material
Wire system - Ventilation - Trapeze On Concrete	 <p>2</p>	Wire system	Concrete
<p>General comments</p> <ul style="list-style-type: none"> Loading must always be compared with the capacity of the anchor within the chosen base material Only for vertically suspended loads. Not suitable for bracing. 		MQ System	

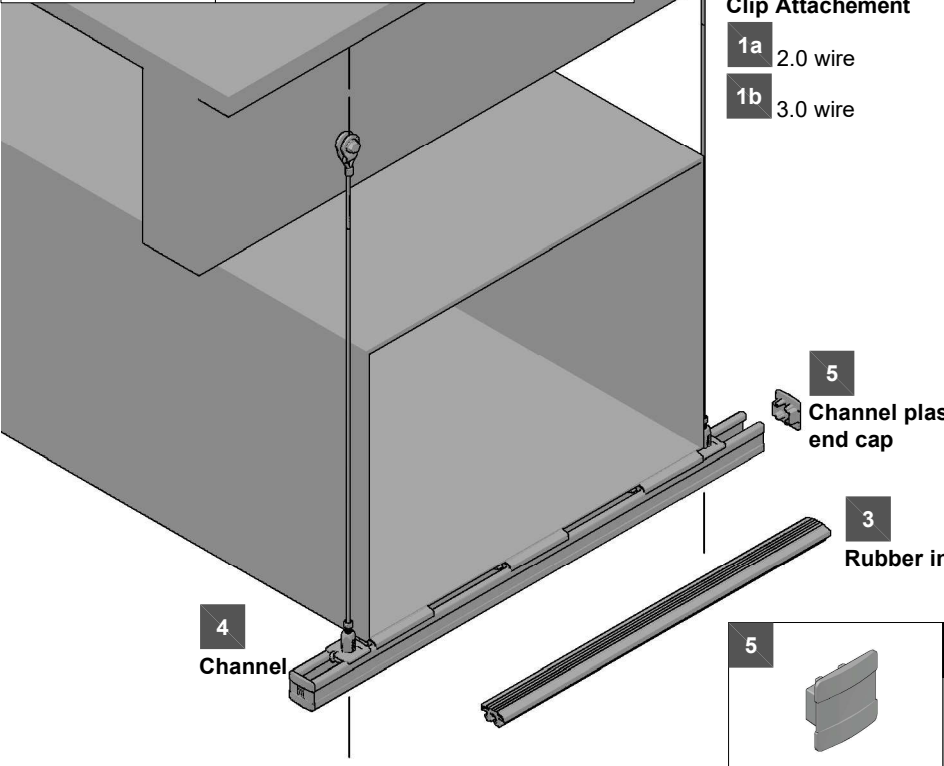
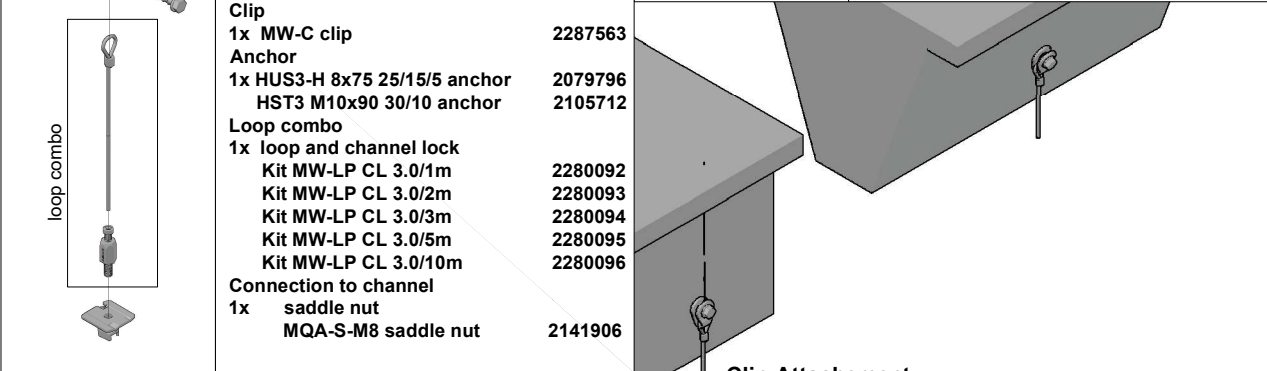
Ventilation - Trapeze Fixed On Concrete Slab - MM System:

<p>1a</p>  <p>eyebolt combo</p>	<p>1a Screw Anchor, M8 Support 2.0 wire</p> <p>1x Screw anchor HUS-I 6x35 M8/M10 anchor 416740 HUS-I 6x55 M8/M10 anchor 423180</p> <p>1x M8 nut 2184504</p> <p>Eyebolt combo</p> <p>1x eyebolt and channel lock Kit MW-EB M8 CL 2.0/1m 2280062 Kit MW-EB M8 CL 2.0/2m 2280063 Kit MW-EB M8 CL 2.0/3m 2280064 Kit MW-EB M8 CL 2.0/5m 2280065 Kit MW-EB M8 CL 2.0/10m 2280066</p> <p>Connection to channel</p> <p>1x saddle nut MM-S-M8 saddle nut 418760</p>	<p>3</p> 	<p>3 MM System Channel Rubber Inlay For Sound Insulation</p> <p>100mm pcs</p> <p>1x MM-RI 10cm rubber inlay 418768</p> <p>20m roll</p> <p>1x MM-RI 20m rubber inlay 418767</p>
<p>1b</p>  <p>eyebolt combo</p>	<p>1b Screw Anchor, M8 Support 3.0 wire</p> <p>1x Screw anchor HUS-I 6x35 M8/M10 anchor 416740 HUS-I 6x55 M8/M10 anchor 423180</p> <p>1x M8 nut 2184504</p> <p>Eyebolt combo</p> <p>1x eyebolt and channel lock Kit MW-EB M8 CL 3.0/1m 2280067 Kit MW-EB M8 CL 3.0/2m 2280068 Kit MW-EB M8 CL 3.0/3m 2280069 Kit MW-EB M8 CL 3.0/5m 2280070 Kit MW-EB M8 CL 3.0/10m 2280071</p> <p>Connection to channel</p> <p>1x saddle nut MM-S-M8 saddle nut 418760</p>	<p>4</p> 	<p>4 MM System Channels</p> <p>16mm channel MM-C-16 channel 418748</p> <p>30mm channel MM-C-30 418749</p> <p>36mm channel MM-C-36 418750</p> <p>For more sizes check www.hilti.com</p>
<p>2a</p>  <p>eyebolt combo</p>	<p>2a Flush Anchor, M8 Support 2.0 wire</p> <p>1x flush anchor HKD M8x25 anchor 416740 HKD M8x30 anchor 376959 HKD M8x40 anchor 376961</p> <p>1x M8 nut 2184504</p> <p>Eyebolt combo</p> <p>1x eyebolt and channel lock Kit MW-EB M8 CL 2.0/1m 2280062 Kit MW-EB M8 CL 2.0/2m 2280063 Kit MW-EB M8 CL 2.0/3m 2280064 Kit MW-EB M8 CL 2.0/5m 2280065 Kit MW-EB M8 CL 2.0/10m 2280066</p> <p>Connection to channel</p> <p>1x saddle nut MM-S-M8 saddle nut 418760</p>	<p>5</p> 	<p>5 MM System Channel Plastic End Caps</p> <p>for 16mm channel MM-E-16 plastic end cap 418773</p> <p>for 30mm channel MM-E-30 plastic end cap 418774</p> <p>for 36mm channel MM-E-36 plastic end cap 418775</p>
<p>2b</p>  <p>eyebolt combo</p>	<p>2b Flush Anchor, M8 Support 3.0 wire</p> <p>1x flush anchor HKD M8x25 anchor 376957 HKD M8x30 anchor 376959 HKD M8x40 anchor 376961</p> <p>1x M8 nut 2184504</p> <p>Eyebolt combo</p> <p>1x eyebolt and channel lock Kit MW-EB M8 CL 3.0/1m 2280067 Kit MW-EB M8 CL 3.0/2m 2280068 Kit MW-EB M8 CL 3.0/3m 2280069 Kit MW-EB M8 CL 3.0/5m 2280070 Kit MW-EB M8 CL 3.0/10m 2280071</p> <p>Connection to channel</p> <p>1x saddle nut MM-S-M8 saddle nut 418760</p>	 <p>1a 2.0 wire</p> <p>1b 3.0 wire</p> <p>2a 2.0 wire</p> <p>2b 3.0 wire</p> <p>3 Rubber inlay</p> <p>4 Channel</p> <p>5 Channel plastic end cap</p>	

Application description	Application	Product lines	Base material
Wire system - Ventilation Trapeze On Concrete - MM System	 2	Wire system	Concrete
General comments		MM System	
<ul style="list-style-type: none"> Loading must always be compared with the capacity of the anchor within the chosen base material Only for vertically suspended loads. Not suitable for bracing. 			

Ventilation - Trapeze Fixed On A Side Of A Concrete Girder:

	1a Clip attachment 2.0 wire		3 Channel rubber inlay for sound insulation
	Clip 1x MW-C 2287563 Anchor 1x HUS3-H 8x75 25/15/5 anchor 2079796 HST3 M10x90 30/10 anchor 2105712 Loop combo 1x loop and channel lock Kit MW-LP CL 2.0/1m 2280087 Kit MW-LP CL 2.0/2m 2280088 Kit MW-LP CL 2.0/3m 2280089 Kit MW-LP CL 2.0/5m 2280090 Kit MW-LP CL 2.0/10m 2280091 Connection to channel 1x saddle nut MQA-S-M8 saddle nut 2141906		100mm pcs 1x MQZ-RI 10cm rubber inlay 2047317 20m roll 1x MQZ-RI 20m rubber inlay 2047316
	1b Clip attachment 3.0 wire		4 Channels
	Clip 1x MW-C clip 2287563 Anchor 1x HUS3-H 8x75 25/15/5 anchor 2079796 HST3 M10x90 30/10 anchor 2105712 Loop combo 1x loop and channel lock Kit MW-LP CL 3.0/1m 2280092 Kit MW-LP CL 3.0/2m 2280093 Kit MW-LP CL 3.0/3m 2280094 Kit MW-LP CL 3.0/5m 2280095 Kit MW-LP CL 3.0/10m 2280096 Connection to channel 1x saddle nut MQA-S-M8 saddle nut 2141906		21mm channel MQ-21.5 2m channel 2184771 MQ-21.5 3m channel 2184772 MQ-21.5 6m channel 2184773 41mm channel MQ-41-L 2m channel 2155538 MQ-41-L 3m channel 2155536 MQ-41 2m channel 304559 MQ-41 3m channel 369591 MQ-41 6m channel 369592 For more sizes check www.hilti.com

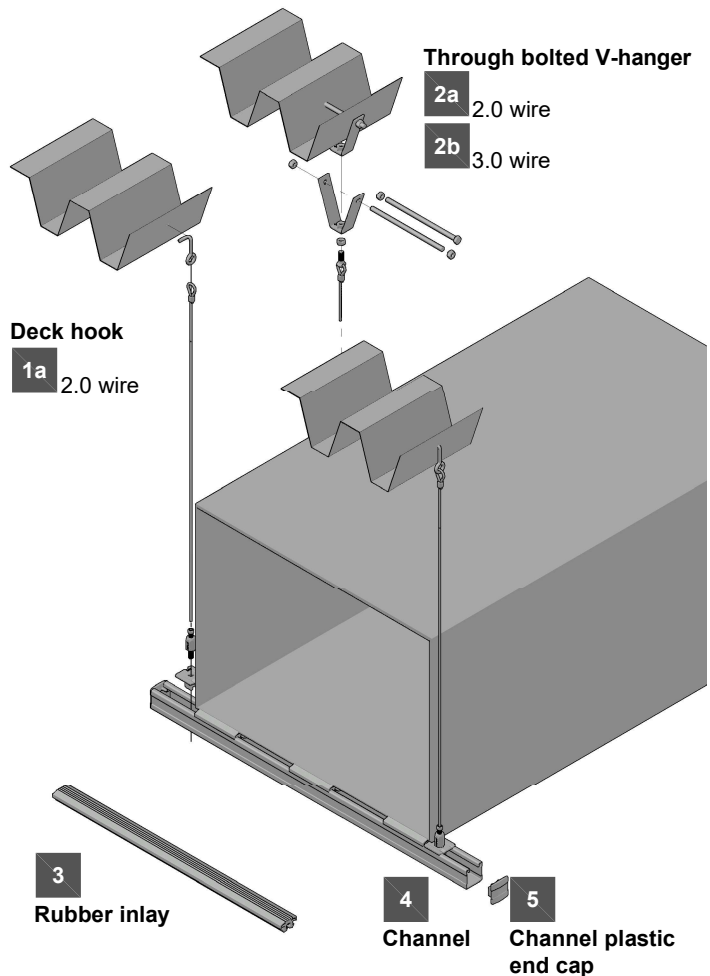


	5 Channel plastic end caps
	for channel 21mm MQZ-E21 plastic end cap 370598 for channel 41mm MQZ-E41 plastic end cap 369685

Application description	Application	Product lines	Base material
Wire system - Ventilation - Trapeze On A Side Of A Concrete Girder		Wire system	Concrete
General comments <ul style="list-style-type: none"> Loading must always be compared with the capacity with the capacity of the anchor within the chosen base material. This capacity is affected by the angle of loading from the vertical and the prying factor Only one wire may be suspended vertically on each clip 		MQ System	

Ventilation - Trapeze Fixed On Metal Deck:

<p>loop combo</p>	<p>1a Deck hook 2.0 wire</p> <p>Deck hook 1x MW-DH deck hook 2277567</p> <p>Loop combo 1x loop and channel lock</p> <p>Kit MW-LP CL 2.0/1m 2280087 Kit MW-LP CL 2.0/2m 2280088 Kit MW-LP CL 2.0/3m 2280089 Kit MW-LP CL 2.0/5m 2280090 Kit MW-LP CL 2.0/10m 2280091</p> <p>Connection to channel 1x saddle nut MQA-S-M8 saddle nut 2141906</p>	<p>4</p>	<p>4 MQ System channel</p> <p>21mm channel MQ-21.5 2m channel 2184771 MQ-21.5 3m channel 2184772 MQ-21.5 6m channel 2184773</p> <p>41mm channel MQ-41-L 2m channel 2155538 MQ-41-L 3m channel 2155536</p> <p>MQ-41 2m channel 304559 MQ-41 3m channel 369591 MQ-41 6m channel 369592</p> <p>For more sizes check www.hilti.com</p>
<p>eyebolt combo</p>	<p>2a Through bolted V-hanger 2.0 wire</p> <p>V-Hanger 1x MF-TSH M8 V-hanger 229006 1x M8 nut 2184504</p> <p>Through-bolt version 1 t-rod 1x AM8x1000 fixed t-rod 339793 4x M8 nut 2184504</p> <p>Through-bolt ver. 2-long h-head screw 1x M8x120 4.8 hex. head sc. 2063165 2x M8 nut 2184504</p> <p>Eyebolt combo 1x eyebolt and channel lock Kit MW-EB M8 CL 2.0/1m 2280062 Kit MW-EB M8 CL 2.0/2m 2280063 Kit MW-EB M8 CL 2.0/3m 2280064 Kit MW-EB M8 CL 2.0/5m 2280065 Kit MW-EB M8 CL 2.0/10m 2280066</p> <p>Connection to channel 1x saddle nut MQA-S-M8 saddle nut 2141906</p>	<p>5</p>	<p>5 Channel plastic end caps</p> <p>for channel 21mm MQZ-E21 plastic end cap 370598</p> <p>for channel 41mm MQZ-E41 plastic end cap 369685</p>
<p>eyebolt combo</p>	<p>2b Through bolted V-hanger 3.0 wire</p> <p>V-Hanger 1x MF-TSH M8 V-hanger 229006 1x M8 nut 2184504</p> <p>Through-bolt version 1 t-rod 1x AM8x1000 fixed t-rod 339793 4x M8 nut 2184504</p> <p>Through-bolt version 2 long h-head screw 1x M8x120 4.8 h-head screw 2063165 2x M8 nut 2184504</p> <p>Eyebolt combo 1x eyebolt and channel lock Kit MW-EB M8 CL 3.0/1m 2280067 Kit MW-EB M8 CL 3.0/2m 2280068 Kit MW-EB M8 CL 3.0/3m 2280069 Kit MW-EB M8 CL 3.0/5m 2280070 Kit MW-EB M8 CL 3.0/10m 2280071</p> <p>Connection to channel 1x MQA-S-M8 saddle nut 2141906</p>	<p>Deck hook 1a 2.0 wire</p>	<p>Through bolted V-hanger 2a 2.0 wire 2b 3.0 wire</p>
<p>3</p>	<p>3 Channel rubber inlay for sound insulation</p> <p>100mm pcs 1x MQZ-RI 10cm rubber inlay 2047317 20m roll 1x MQZ-RI 20m rubber inlay 2047316</p>	<p>3</p>	<p>4 Channel</p> <p>5 Channel plastic end cap</p>



Application description	Application	Product lines	Base material
Wire system - Ventilation - Trapeze On Concrete	2	Wire system	Metal deck
General comments		MQ System	
<ul style="list-style-type: none"> Loading must always be compared with the capacity of the metal deck and where relevant the V-hanger. The deck hook or eyebolt must hang vertically from the deck. Only one wire may be suspended on each deck hook. 			

Ventilation - Trapeze Fixed On Metal Deck:

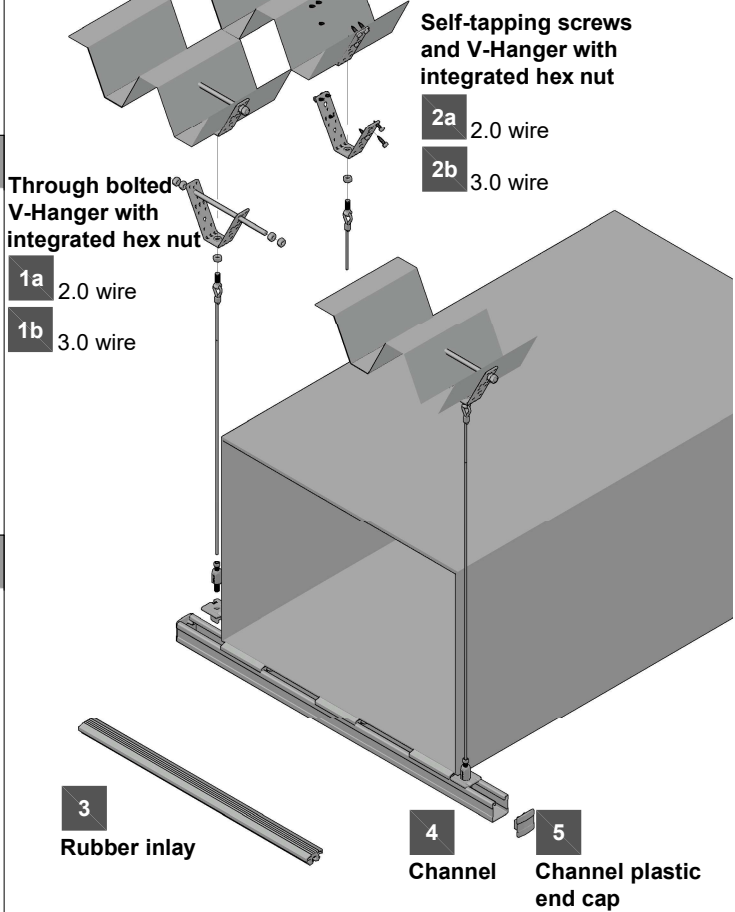
<p>1a</p>	1a	Through bolted V-Hanger with integrated hex nut, 2.0 wire	
	V-Hanger		
	1x	MVA-MS M8 V-hanger	386558
	1x	M8 nut	216465
	Through-bolt version 1-t-rod		
	1x	AM8x1000 fixed t-rod	339793
	4x	M8 nut	216465
	Eyebolt combo		
	1x	eyebolt and channel lock	
		Kit MW-EB M8 CL 2.0/1m	2280062
	Kit MW-EB M8 CL 2.0/2m	2280063	
	Kit MW-EB M8 CL 2.0/3m	2280064	
	Kit MW-EB M8 CL 2.0/5m	2280065	
	Kit MW-EB M8 CL 2.0/10m	2280066	
Connection to channel			
1x	saddle nut		
	MQA-S-M8 saddle nut	2141906	

<p>1b</p>	1b	Through bolted V-Hanger with integrated hex nut, 3.0 wire	
	V-Hanger		
	1x	MVA-MS M8 V-hanger	386558
	1x	M8 nut	216465
	Through-bolt version 1-t-rod		
	1x	AM8x1000 fixed t-rod	339793
	4x	M8 nut	216465
	Eyebolt combo		
	1x	eyebolt and channel lock	
		Kit MW-EB M8 CL 3.0/1m	2280067
	Kit MW-EB M8 CL 3.0/2m	2280068	
	Kit MW-EB M8 CL 3.0/3m	2280069	
	Kit MW-EB M8 CL 3.0/5m	2280070	
	Kit MW-EB M8 CL 3.0/10m	2280071	
Connection to channel			
1x	saddle nut		
	MQA-S-M8 saddle nut	2141906	

<p>2a</p>	2a	Self-tapping screws and V-Hanger with integrated hex nut, 2.0 wire	
	V-Hanger		
	1x	MVA-MS M8 V-hanger	386558
	1x	M8 nut	216465
	Self-tapping screws		
	6x	S-MS 01Z 4.0x13 S-screw	406471
	Eyebolt combo		
	1x	eyebolt and channel lock	
		Kit MW-EB M8 CL 2.0/1m	2280062
		Kit MW-EB M8 CL 2.0/2m	2280063
	Kit MW-EB M8 CL 2.0/3m	2280064	
	Kit MW-EB M8 CL 2.0/5m	2280065	
	Kit MW-EB M8 CL 2.0/10m	2280066	
Connection to channel			
1x	saddle nut		
	MQA-S-M8 saddle nut	2141906	

<p>2b</p>	2b	Self-tapping screws and V-Hanger with integrated hex nut, 2.0 wire	
	V-Hanger		
	1x	MVA-MS M8 V-hanger	386558
	1x	M8 nut	216465
	Self-tapping screws		
	6x	S-MS 01Z 4.0x13 S-screw	406471
	Eyebolt combo		
	1x	eyebolt and channel lock	
		Kit MW-EB M8 CL 3.0/1m	2280067
		Kit MW-EB M8 CL 3.0/2m	2280068
	Kit MW-EB M8 CL 3.0/3m	2280069	
	Kit MW-EB M8 CL 3.0/5m	2280070	
	Kit MW-EB M8 CL 3.0/10m	2280071	
Connection to channel			
1x	saddle nut		
	MQA-S-M8 saddle nut	2141906	

<p>3</p>	3	Channel rubber inlay for sound insulation	
	100mm pcs		
	1x	MQZ-RI 10cm rubber inlay	2047317
<p>4</p>	4	Channels	
	21mm channel		
		MQ-21.5 2m channel	2184771
	MQ-21.5 3m channel	2184772	
	MQ-21.5 6m channel	2184773	
41mm channel			
	MQ-41-L 2m channel	2155538	
	MQ-41-L 3m channel	2155536	
MQ-41 2m channel			
	MQ-41 3m channel	304559	
	MQ-41 6m channel	369591	
MQ-41 6m channel			
	MQ-41 6m channel	369592	
For more sizes check www.hilti.com			
<p>5</p>	5	Channel plastic end caps	
	for channel 21mm		
		MQZ-E21 plastic end cap	370598
for channel 41mm			
	MQZ-E41 plastic end cap	369685	

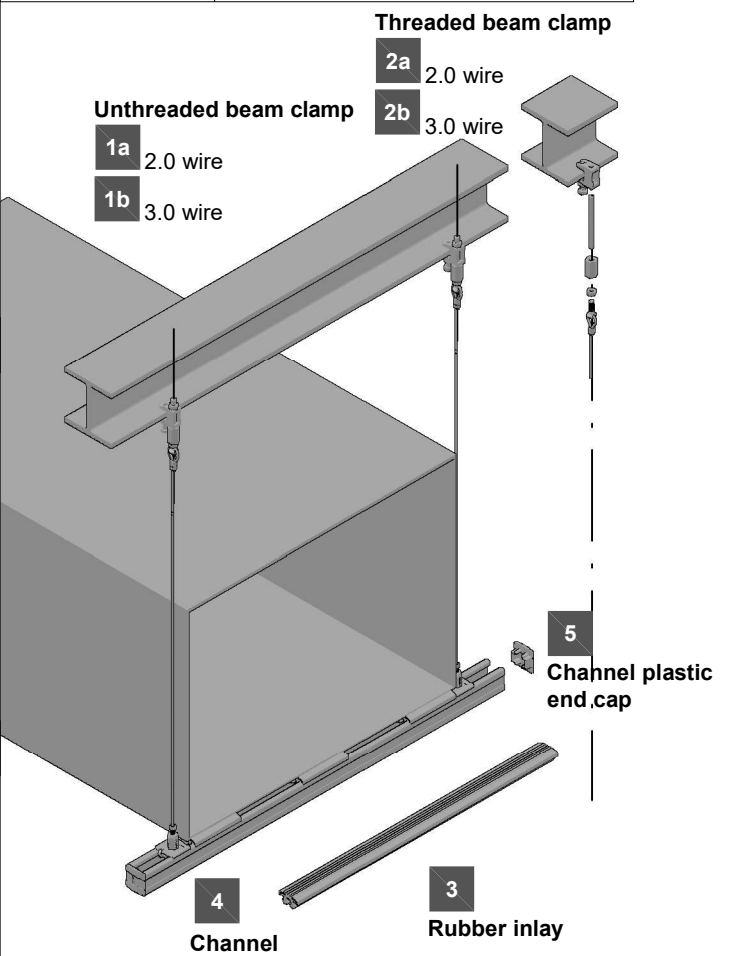


Application description	Application	Product lines	Base material
Wire system - Ventilation - Trapeze On Concrete	<p>2</p>	Wire system	Metal deck
General comments <ul style="list-style-type: none"> Loading must always be compared with the capacity of the metal deck and V-hanger Only for vertically suspended loads. Not suitable for bracing. 		MQ System	

Ventilation - Trapeze Fixed On A Structural Steel Profiles Using Beam Clamps:

	1a Unthreaded beam clamp 2.0 wire	3 Channel rubber inlay for sound insulation
	Beam clamp 1x MAB-9 beam clamp 375956 2x M8 nut 2184504 1x M8x1000 4.8 threaded rod 2140926 1x M8x25 coupler 216703 Eyebolt combo 1x eyebolt and channel lock Kit MW-EB M8 CL 2.0/1m 2280062 Kit MW-EB M8 CL 2.0/2m 2280063 Kit MW-EB M8 CL 2.0/3m 2280064 Kit MW-EB M8 CL 2.0/5m 2280065 Kit MW-EB M8 CL 2.0/10m 2280066 Connection to channel 1x saddle nut MQA-S-M8 saddle nut 2141906	100mm pcs 1x MQZ-RI 10cm rubber inlay 2047317 20m roll 1x MQZ-RI 20m rubber inlay 2047316
	1b Unthreaded beam clamp 3.0 wire	4 Channels
	Beam clamp 1x MAB-9 beam clamp 375956 2x M8 nut 2184504 1x M8x1000 4.8 threaded rod 2140926 1x M8x25 coupler 216703 Eyebolt combo 1x eyebolt and channel lock Kit MW-EB M8 CL 3.0/1m 2280067 Kit MW-EB M8 CL 3.0/2m 2280068 Kit MW-EB M8 CL 3.0/3m 2280069 Kit MW-EB M8 CL 3.0/5m 2280070 Kit MW-EB M8 CL 3.0/10m 2280071 Connection to channel 1x saddle nut MQA-S-M8 saddle nut 2141906	21mm channel MQ-21.5 2m channel 2184771 MQ-21.5 3m channel 2184772 MQ-21.5 6m channel 2184773 41mm channel MQ-41-L 2m channel 2155538 MQ-41-L 3m channel 2155536 MQ-41 2m channel 304559 MQ-41 3m channel 369591 MQ-41 6m channel 369592 For more sizes check www.hilti.com

	2a Threaded beam clamp 2.0 wire
	Beam clamp 1x MAB-M8 beam clamp 2006878 1x M8x1000 4.8 threaded rod 2140926 1x M8x25 coupler 216703 2x M8 nut 2184504 Eyebolt combo 1x eyebolt and channel lock Kit MW-EB M8 CL 2.0/1m 2280062 Kit MW-EB M8 CL 2.0/2m 2280063 Kit MW-EB M8 CL 2.0/3m 2280064 Kit MW-EB M8 CL 2.0/5m 2280065 Kit MW-EB M8 CL 2.0/10m 2280066 Connection to channel 1x saddle nut MQA-S-M8 saddle nut 2141906
	2b Threaded beam clamp 3.0 wire
	Beam clamp 1x MAB-M8 beam clamp 2006878 1x M8x1000 4.8 threaded rod 2140926 1x M8x25 coupler 216703 2x M8 nut 2184504 Eyebolt combo 1x eyebolt and channel lock Kit MW-EB M8 CL 3.0/1m 2280067 Kit MW-EB M8 CL 3.0/2m 2280068 Kit MW-EB M8 CL 3.0/3m 2280069 Kit MW-EB M8 CL 3.0/5m 2280070 Kit MW-EB M8 CL 3.0/10m 2280071 Connection to channel 1x saddle nut MQA-S-M8 saddle nut 2141906

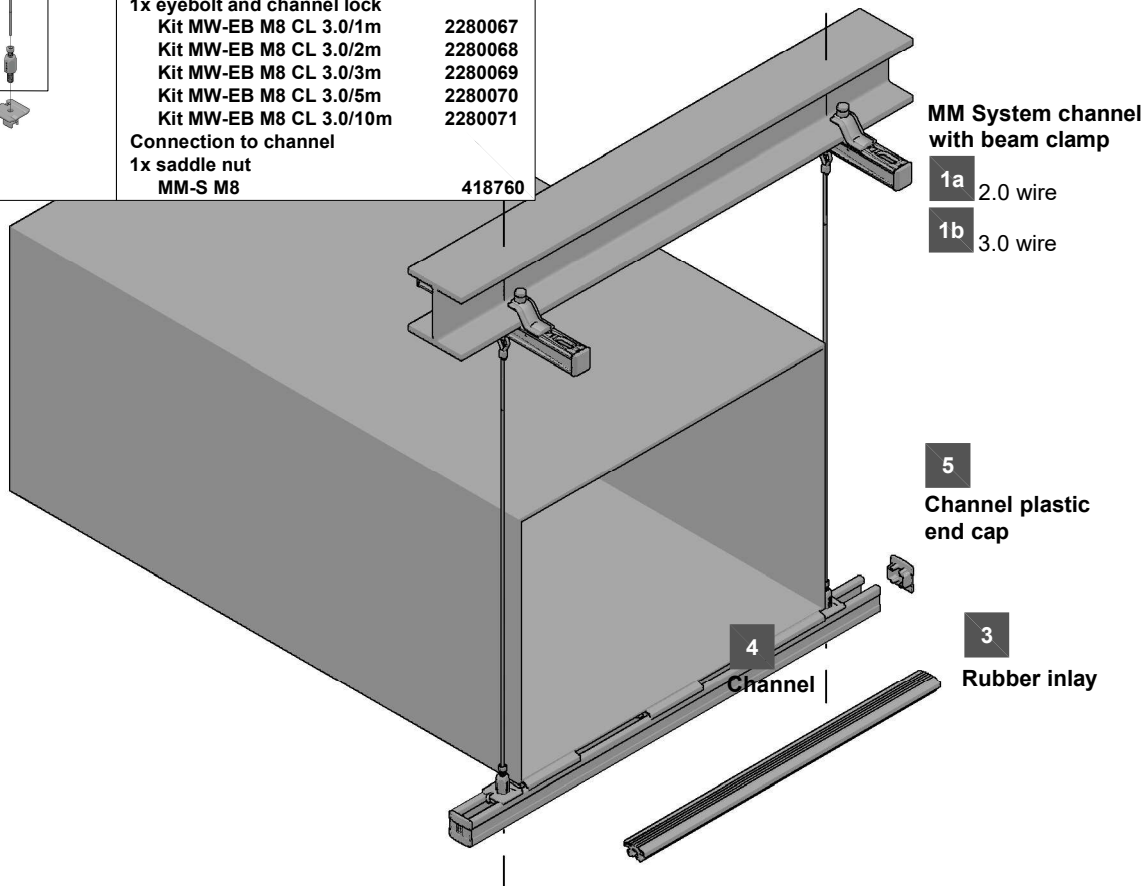


	5 Channel plastic end caps
	for channel 21mm MQZ-E21 plastic end cap 370598 for channel 41mm MQZ-E41 plastic end cap 369685

Application description	Application	Product lines	Base material
Wire system - Ventilation - Trapeze On Structural Steel Profiles - Beam Clamps		2	Steel
General comments <ul style="list-style-type: none"> Loading must always be compared with the capacity of the beam clamp and structural steel Only for vertically suspended loads. Not suitable for bracing. 		MQ System	

Ventilation - Trapeze Fixed On A Structural Steel Profiles - Centric solution using MM Channel System:

<p>1a</p>	<p>1a Centric fixation of MM System channel, 2.0 wire</p> <p>Clamps 2x MM-T-16-36 418763 Channel e.g. 1x MM-C-30 2mm 418749 Saddle nut 1x MM-S M8 418760 Nut 1x M8 nut 216465 Eyebolt combo 1x eyebolt and channel lock Kit MW-EB M8 CL 2.0/1m 2280062 Kit MW-EB M8 CL 2.0/2m 2280063 Kit MW-EB M8 CL 2.0/3m 2280064 Kit MW-EB M8 CL 2.0/5m 2280065 Kit MW-EB M8 CL 2.0/10m 2280066 Connection to channel 1x saddle nut MM-S M8 418760</p>	<p>3</p>	<p>3 Channel rubber inlay for sound insulation</p> <p>100mm pcs 1x MM-RI 10cm rubber inlay 418768 20m roll 1x MM-RI 20m rubber inlay 418767</p>
<p>1b</p>	<p>1b Centric fixation of MM System channel, 3.0 wire</p> <p>Clamps 2x MM-T-16-36 418763 Channel e.g. 1x MM-C-30 2mm 418749 Saddle nut 1x MM-S M8 418760 Nut 1x M8 nut 216465 Eyebolt combo 1x eyebolt and channel lock Kit MW-EB M8 CL 3.0/1m 2280067 Kit MW-EB M8 CL 3.0/2m 2280068 Kit MW-EB M8 CL 3.0/3m 2280069 Kit MW-EB M8 CL 3.0/5m 2280070 Kit MW-EB M8 CL 3.0/10m 2280071 Connection to channel 1x saddle nut MM-S M8 418760</p>	<p>4</p>	<p>4 MM System channels</p> <p>16mm channel MM-C-16 2m channel 418748 30mm channel MM-C-30 2m channel 418749 36mm channel MM-C-36 2m M10 channel 418750 MM-C-36 3m M10 channel 418751 For more sizes check www.hilti.com</p>
		<p>5</p>	<p>5 MM System channel plastic end caps</p> <p>for channel 16mm MM-E-16 plastic end cap 418773 for channel 30mm MM-E-30 plastic end cap 418774 for channel 36mm MM-E-36 plastic end cap 418775</p>

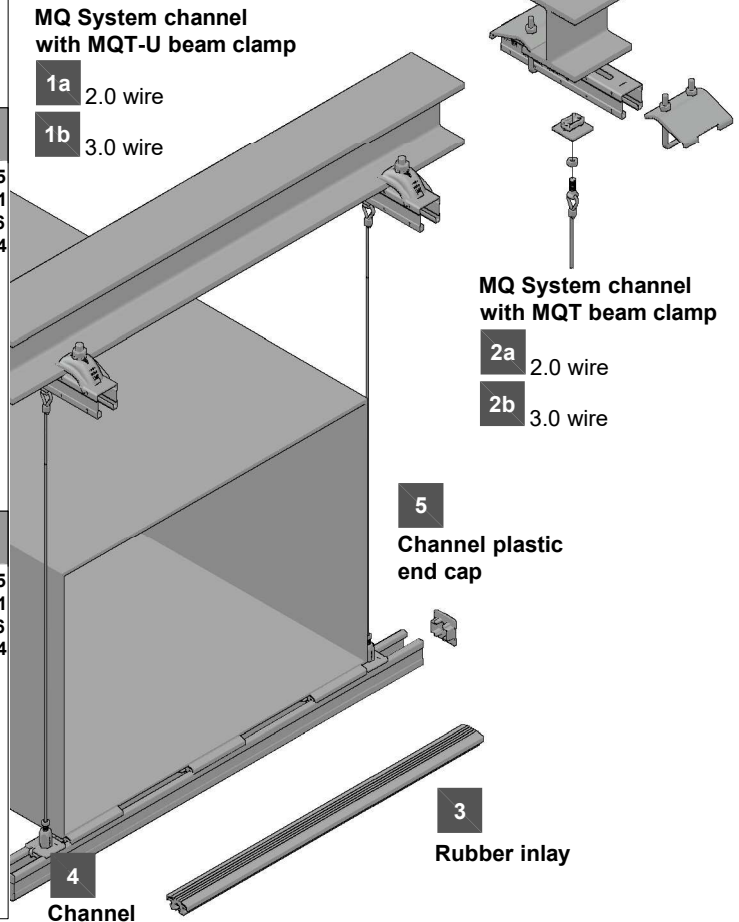


Application description	Application	Product lines	Base material
Wire system - Ventilation Trapeze On Structural Steel - MM System Channels	<p>2</p>	Wire system	Steel
<p>General comments</p> <ul style="list-style-type: none"> Loading must always be compared with the capacity of all connected parts Only for vertically suspended loads. Not suitable for bracing. 		MQ System	

Hilti strongly advises customers to verify the respective product application for the intended use by consulting a structural engineer and making the necessary calculations to ensure compliance with the applicable norms and standards. Failure to consult and heed the advice of a structural engineer will free Hilti from any liability. It is essential that the product is used strictly in accordance with the applicable Hilti instructions for use, within the application limits specified in the Hilti technical data sheets, technical specifications and supporting product literature, and that the relevant application limits are not exceeded at any time. All rights reserved by Hilti Corporation. Duplication, utilization and/or publication of drawings contained in this manual are not permitted unless expressly agreed by Hilti Corporation.

Ventilation Trapeze Fixed On A Structural Steel Profiles - Centric solution using MQ Channel System:


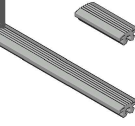

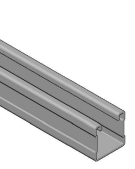
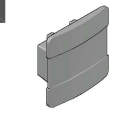
	1a Centric fixation of MQ System channel, 2.0 wire	2x MQT-U beam clamp 2115454 1x MQ-41 3m channel 369591 1x MQA-S-M8 saddle nut 2141906 1x M8 nut 2184504 Eyebolt combo 1x eyebolt and channel lock 2280062 Kit MW-EB M8 CL 2.0/1m 2280063 Kit MW-EB M8 CL 2.0/2m 2280064 Kit MW-EB M8 CL 2.0/3m 2280065 Kit MW-EB M8 CL 2.0/5m 2280066 Connection to channel 1x saddle nut 2141906 MQA-S-M8 saddle nut 2141906		3 Channel rubber inlay for sound insulation 100mm pcs 1x MQZ-RI 10cm rubber inlay 2047317 20m roll 1x MQZ-RI 20m rubber inlay 2047316
		1b Centric fixation of MQ System channel, 3.0 wire		2x MQT-U beam clamp 2115454 1x MQ-41 3m channel 369591 1x MQA-S-M8 saddle nut 2141906 1x M8 nut 2184504 Eyebolt combo 1x eyebolt and channel lock 2280067 Kit MW-EB M8 CL 3.0/1m 2280068 Kit MW-EB M8 CL 3.0/2m 2280069 Kit MW-EB M8 CL 3.0/3m 2280070 Kit MW-EB M8 CL 3.0/5m 2280071 Connection to channel 1x saddle nut 2141906 MQA-S-M8 saddle nut 2141906
		2a Centric fixation of MQ System channel, 2.0 wire	2x MQT-21-41 beam clamp 369675 1x MQ-41 3m ...m channel 369591 1x MQA-S-M8 saddle nut 2141906 1x M8 nut 2184504 Eyebolt combo 1x eyebolt and channel lock 2280062 Kit MW-EB M8 CL 2.0/1m 2280063 Kit MW-EB M8 CL 2.0/2m 2280064 Kit MW-EB M8 CL 2.0/3m 2280065 Kit MW-EB M8 CL 2.0/5m 2280066 Connection to channel 1x saddle nut 2141906 MQA-S-M8 saddle nut 2141906	
		2b Centric fixation of MQ System channel, 3.0 wire	2x MQT-21-41 beam clamp 369675 1x MQ-41 3m ...m channel 369591 1x MQA-S-M8 saddle nut 2141906 1x M8 nut 2184504 Eyebolt combo 1x eyebolt and channel lock 2280067 Kit MW-EB M8 CL 3.0/1m 2280068 Kit MW-EB M8 CL 3.0/2m 2280069 Kit MW-EB M8 CL 3.0/3m 2280070 Kit MW-EB M8 CL 3.0/5m 2280071 Connection to channel 1x saddle nut 2141906 MQA-S-M8 saddle nut 2141906	

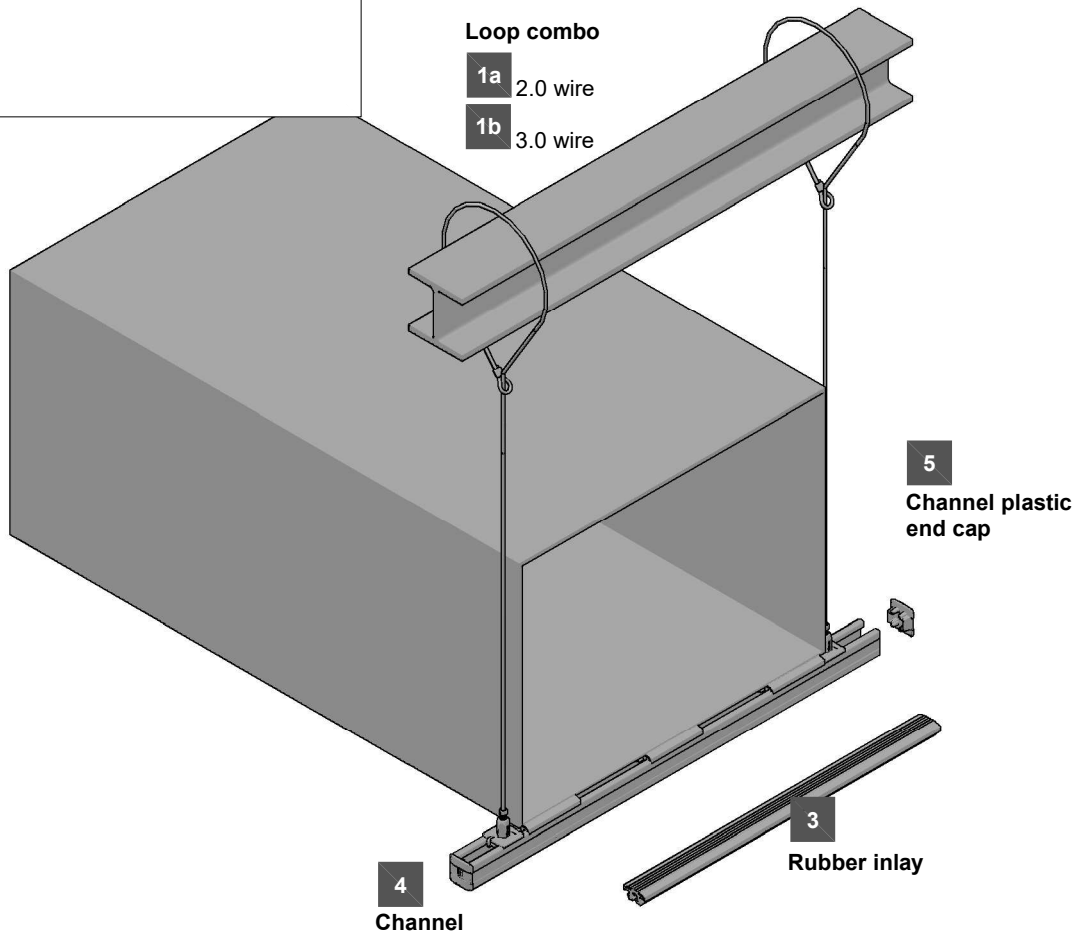


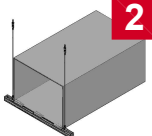
Application description	Application	Product lines	Base material
Wire system - Ventilation - Trapeze On Structural Steel - MQ System Channels		Wire system	Steel
General comments <ul style="list-style-type: none"> Loading must always be compared with the capacity of all connected parts Only for vertically suspended loads. Not suitable for bracing. 		MQ System	

Hilti strongly advises customers to verify the respective product application for the intended use by consulting a structural engineer and making the necessary calculations to ensure compliance with the applicable norms and standards. Failure to consult and heed the advice of a structural engineer will free Hilti from any liability. It is essential that the product is used strictly in accordance with the applicable Hilti instructions for use, within the application limits specified in the Hilti technical data sheets, technical specifications and supporting product literature, and that the relevant application limits are not exceeded at any time. All rights reserved by Hilti Corporation. Duplication, utilization and/or publication of drawings contained in this manual are not permitted unless expressly agreed by Hilti Corporation.

Ventilation - Trapeze Fixed Looped Around Structural Steel Profiles

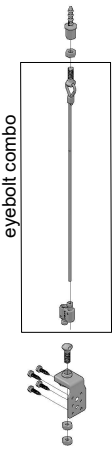
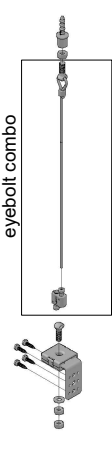
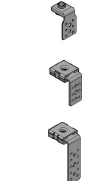


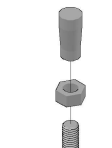
<p>1a</p>  <p>loop combo</p>	<p>1a Looping the profile with 2.0 wire</p> <p>Loop combo 1x loop and channel lock Kit MW-LP CL 2.0/1m 2280087 Kit MW-LP CL 2.0/2m 2280088 Kit MW-LP CL 2.0/3m 2280089 Kit MW-LP CL 2.0/5m 2280090 Kit MW-LP CL 2.0/10m 2280091</p> <p>Connection to channel 1x saddle nut MQA-S-M8 saddle nut 2141906</p>	<p>3</p> 	<p>3 Channel rubber inlay for sound insulation</p> <p>100mm pcs 1x MQZ-RI 10cm rubber inlay 2047317 20m roll 1x MQZ-RI 20m rubber inlay 2047316</p>
<p>1b</p>  <p>loop combo</p>	<p>1b Looping the profile with 3.0 wire</p> <p>Loop combo 1x loop and channel lock Kit MW-LP CL 3.0/1m 2280092 Kit MW-LP CL 3.0/2m 2280093 Kit MW-LP CL 3.0/3m 2280094 Kit MW-LP CL 3.0/5m 2280095 Kit MW-LP CL 3.0/10m 2280096</p> <p>Connection to channel 1x saddle nut MQA-S-M8 saddle nut 2141906</p>	<p>4</p> 	<p>4 MQ System channels</p> <p>21.5mm channel MQ-21.5 2m channel 2184771 MQ-21.5 3m channel 2184772 MQ-21.5 6m channel 2184773</p> <p>41mm channel MQ-41-L 2m channel 2141966 MQ-41-L 3m channel 2141965 MQ-41-L 6m channel 2141964 MQ-41 2m channel 304559 MQ-41 3m channel 369591 MQ-41 6m channel 369592</p> <p>For more sizes check www.hilti.com</p>
		<p>5</p> 	<p>5 MQ System channel plastic end caps</p> <p>for channel 21mm MQZ-E21 plastic end cap 370598</p> <p>for channel 41mm MQZ-E41 plastic end cap 369685</p>

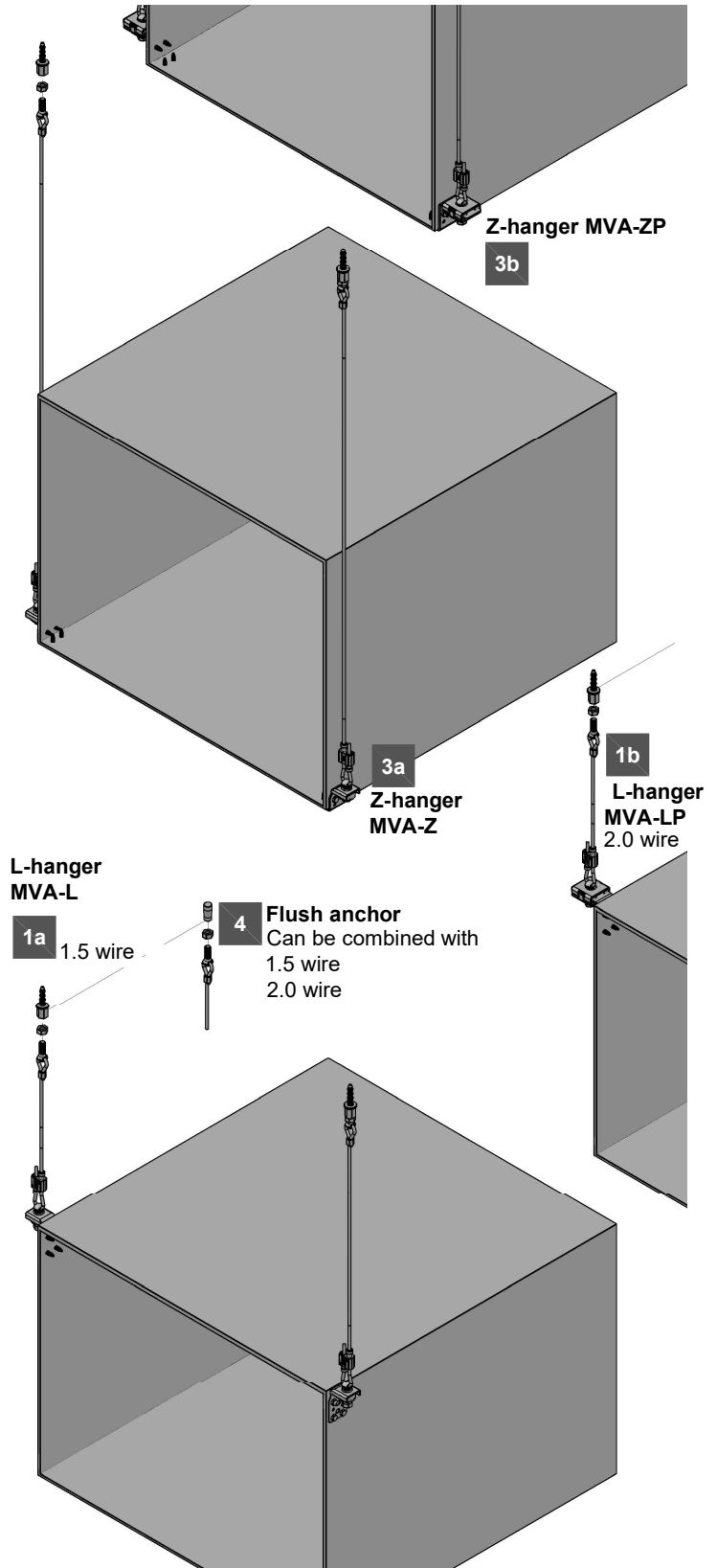


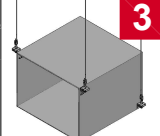
Application description	Application	Product lines	Base material
Wire system - Ventilation Trapeze Looped Around Structural Steel Profiles	 2	Wire system	Steel
General comments		MQ System	
<ul style="list-style-type: none"> Loading must always be compared with the capacity of the structural steel. Sharp edges must be avoided to prevent damage to the wire. Only for vertical suspended loads. Not suitable for bracing. 			

Hilti strongly advises customers to verify the respective product application for the intended use by consulting a structural engineer and making the necessary calculations to ensure compliance with the applicable norms and standards. Failure to consult and heed the advice of a structural engineer will free Hilti from any liability. It is essential that the product is used strictly in accordance with the applicable Hilti instructions for use, within the application limits specified in the Hilti technical data sheets, technical specifications and supporting product literature, and that the relevant application limits are not exceeded at any time. All rights reserved by Hilti Corporation. Duplication, utilization and/or publication of drawings contained in this manual are not permitted unless expressly agreed by Hilti Corporation.

Ventilation - L, Z-hangers Fixed On Concrete Slab:

<p>1a</p> 	<p>1a Screw anchor, basic L-Hanger 1.5 wire</p> <p>1x screw anchor HUS-J 6x35 M8/M10 anchor 416740 HUS-J 6x55 M8/M10 anchor 423180 1x M8 nut 2184504</p> <p>Eyebolt combo 1x eyebolt and lock Kit MW-EB M8 L 1.5/1m 2280019 Kit MW-EB M8 L 1.5/2m 2280040 Kit MW-EB M8 L 1.5/3m 2280041 Kit MW-EB M8 L 1.5/5m 2280042 Kit MW-EB M8 L 1.5/10m 2280043</p> <p>Connection to L-hanger 1x MW-EB M8x26 eye bolt 2277563 2x M8 nut 2184524</p> <p>L-hanger 1x MVA-L L-hanger 386535 Self-tapping screws 4xS-MS 01Z 4.0x13 S-screw 406471</p>
<p>1b</p> 	<p>1b Screw anchor, premium L-Hanger 2.0 wire</p> <p>1x screw anchor HUS-J 6x35 M8/M10 anchor 416740 HUS-J 6x55 M8/M10 anchor 423180 1x M8 nut 2184504</p> <p>Eyebolt combo 1x eyebolt and lock Kit MW-EB M8 L 2.0/1m 2280044 Kit MW-EB M8 L 2.0/2m 2280045 Kit MW-EB M8 L 2.0/3m 2280046 Kit MW-EB M8 L 2.0/5m 2280047 Kit MW-EB M8 L 2.0/10m 2280048</p> <p>Connection to L-hanger 1x MW-EB M8x26 eye bolt 2277563 2x M8 nut 2184504 1x A 8,4x16 washer 2184556</p> <p>L-hanger 1x MVA-LP 60 L-hanger 411500 Self-tapping screws 4xS-MS 01Z 4.0x13 S-screw 406471</p>
<p>2</p> 	<p>2 Alternative L-hangers</p> <p>MVA-L L-hanger 386535 Suitable for wire 1.5</p> <p>MVA-LP 60 L-hanger 411500 Suitable for wire 1.5 and 2.0</p> <p>MVA-LP 100 L-hanger 411501 Suitable for wire 1.5 and 2.0</p>
<p>3a</p> 	<p>3 Alternative Z-hangers</p> <p>MVA-Z Z-hanger 386532 Suitable for wire 1.5</p>
<p>3b</p> 	<p>MVA-ZP Z-hanger 411499 Suitable for wire 1.5 and 2.0</p>
<p>4</p> 	<p>4 Alternative HKD flush anchor</p> <p>Anchor 1x flush anchor HKD M8x25 anchor 376957 HKD M8x30 anchor 376959 HKD M8x40 anchor 376961</p>



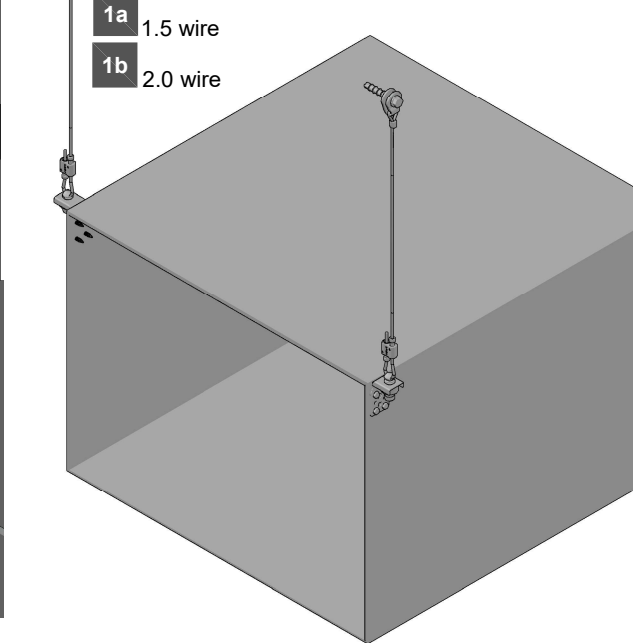
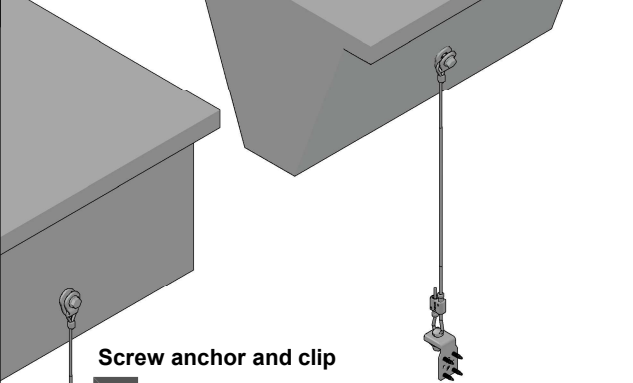
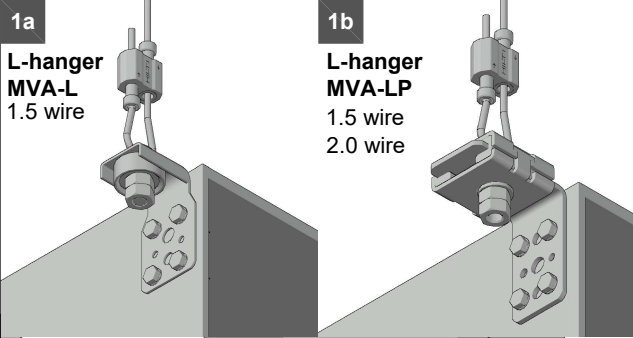
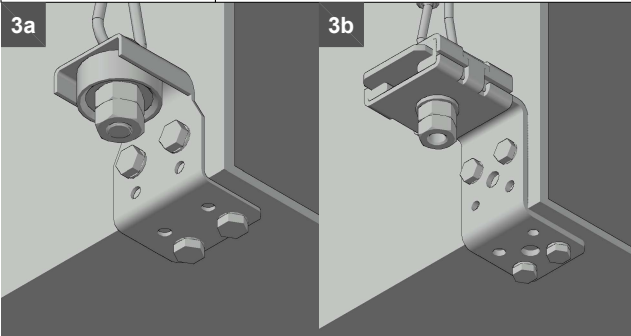
Application description	Application	Product lines	Base material
Wire system - Ventilation L, Z-hangers On Concrete	 3	Wire system	Concrete
General comments		L, Z angles	
<ul style="list-style-type: none"> Loading must always be compared with the capacity of the anchor within the chosen base material and L/Z-hanger. Only for vertically suspended loads. Eye-bolt not suitable for bracing. 			

Ventilation - L, Z-hangers Fixed On A Side Of A Concrete Girder:

<p>loop combo</p>	1a Clip Attachment 1.5 wire	2	2 Alternative L-hangers
	Clip clip 1x MW-C 2287563 Anchor 1x HUS3-H 8x75 25/15/5 anchor 2079796 HST3 M10x90 30/10 anchor 2105712 Loop combo 1x loop and lock Kit MW-LP L 1.5/1m 2280072 Kit MW-LP L 1.5/2m 2280073 Kit MW-LP L 1.5/3m 2280074 Kit MW-LP L 1.5/5m 2280075 Kit MW-LP L 1.5/10m 2280076 Connection to L-hanger 1x MW-EB M8x26 eye bolt 2277563 2x M8 nut 2184504 L-hanger 1x MVA-L L-hanger 386535 Self-tapping screws 4x S-MS 01Z 4.0x13 S-screw 406471	MVA-L L-hanger 386535 Suitable for wire 1.5 MVA-LP 60 L-hanger 411500 Suitable for wire 1.5 and 2.0 MVA-LP 100 L-hanger 411501 Suitable for wire 1.5 and 2.0	

<p>loop combo</p>	1b Clip Attachment 2.0 wire
	Clip 1x MW-C 2287563 Anchor 1x HUS3-H 8x75 25/15/5 anchor 2079796 HST3 M10x90 30/10 anchor 2105712 Loop combo 1x loop and lock Kit MW-LP L 2.0/1m 2280077 Kit MW-LP L 2.0/2m 2280078 Kit MW-LP L 2.0/3m 2280079 Kit MW-LP L 2.0/5m 2280080 Kit MW-LP L 2.0/10m 2280081 Connection to L-hanger 1x MW-EB M8x26 eye bolt 2277563 2x M8 nut 2184504 1x A 8,4x16 washer 2184556 L-hanger 1x MVA-LP 60 L-hanger 411500 Self-tapping screws 4x S-MS 01Z 4.0x13 S-screw 406471

3a	3 Alternative Z-hanger
3b	MVA-Z Z-hanger 386532 Suitable for wire 1.5 MVA-ZP Z-hanger 411499 Suitable for wire 1.5 and 2.0



For all other alternative L,Z-hangers look previous pages or www.hilti.com

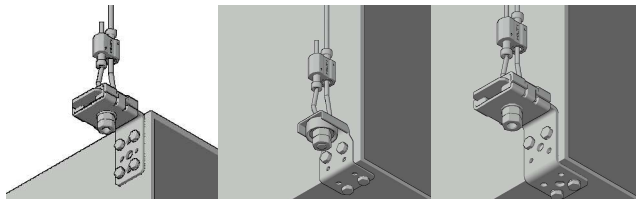
Application description	Application	Product lines	Base material
Wire system - Ventilation - L, Z-hangers On A Side Of A Concrete Girder		3	Wire system
Concrete		L, Z-hangers	
General comments <ul style="list-style-type: none"> Loading must always be compared with the capacity with the capacity of the anchor within the chosen base material and L/Z-hangers. This capacity is affected by the angle of loading from the vertical and the prying factor Only one wire may be suspended on each clip 			

Hilti strongly advises customers to verify the respective product application for the intended use by consulting a structural engineer and making the necessary calculations to ensure compliance with the applicable norms and standards. Failure to consult and heed the advice of a structural engineer will free Hilti from any liability. It is essential that the product is used strictly in accordance with the applicable Hilti instructions for use, within the application limits specified in the Hilti technical data sheets, technical specifications and supporting product literature, and that the relevant application limits are not exceeded at any time. All rights reserved by Hilti Corporation. Duplication, utilization and/or publication of drawings contained in this manual are not permitted unless expressly agreed by Hilti Corporation.

Ventilation - L, Z-hangers Fixed On Metal Deck:

<p>1a</p>	<p>1a Deck hook 1.5 wire</p> <p>Deck hook 1x MW-DH deck hook 2277567</p> <p>Loop combo 1x loop and lock Kit MW-LP L 1.5/1m 2280072 Kit MW-LP L 1.5/2m 2280073 Kit MW-LP L 1.5/3m 2280074 Kit MW-LP L 1.5/5m 2280075 Kit MW-LP L 1.5/10m 2280076</p> <p>L-hanger and connection 1x MW-EB M8x26 eye bolt 2277563 2x M8 nut 2184504 1x A 8,4x16 washer 2184556 1x MVA-L L-hanger 386535</p> <p>Self-tapping screws 4x S-MS 01Z 4.0x13 S-screw 406471</p>	<p>2c</p>	<p>2c Through bolted V-hanger, premium L-hanger, 2.0 wire</p> <p>V-Hanger 1x MF-TSH M8 V-hanger 229006 1x M8 nut 2184504</p> <p>Through-bolt version 1-t-rod 1x AM8x1000 fixed t-rod 339793 4x M8 nut 2184504</p> <p>Through-bolt ver. 2-long h-head screw 1x M8x120 4.8 hex. head sc. 2063165 2x M8 nut 2184504</p> <p>Eyebolt combo 1x eyebolt and lock Kit MW-EB M8 L 2.0/1m 2280044 Kit MW-EB M8 L 2.0/2m 2280045 Kit MW-EB M8 L 2.0/3m 2280046 Kit MW-EB M8 L 2.0/5m 2280047 Kit MW-EB M8 L 2.0/10m 2280048</p> <p>L-hanger and connection 1x MW-EB M8x26 eye bolt 2277563 2x M8 nut 2184504 1x A 8,4x16 washer 2184556 1x MVA-LP 60 L-hanger 411500</p> <p>Self-tapping screws 4x S-MS 01Z 4.0x13 S-screw 406471</p>
<p>1b</p>	<p>1b Deck hook, premium L-Hanger 2.0 wire</p> <p>Deck hook 1x MW-DH deck hook 2277567</p> <p>Loop combo 1x loop and lock Kit MW-LP L 2.0/1m 2280077 Kit MW-LP L 2.0/2m 2280078 Kit MW-LP L 2.0/3m 2280079 Kit MW-LP L 2.0/5m 2280080 Kit MW-LP L 2.0/10m 2280081</p> <p>L-hanger and connection 1x MW-EB M8x26 eye bolt 2277563 2x M8 nut 2184504 1x A 8,4x16 washer 2184556 1x MVA-LP 60 L-hanger 411500</p> <p>Self-tapping screws 4x S-MS 01Z 4.0x13 S-screw 406471</p>	<p>Deck Hook 1a 1.5 wire 1b 2.0 wire</p> <p>2 V-hanger 1.5 wire 2.0 wire</p> <p>3</p>	
<p>2a</p>	<p>2a Through bolted V-hanger 1.5 wire</p> <p>V-Hanger 1x MF-TSH M8 V-hanger 229006 1x M8 nut 2184504</p> <p>Through-bolt version 1-t-rod 1x AM8x1000 fixed t-rod 339793 4x M8 nut 2184504</p> <p>Through-bolt ver. 2-long h-head screw 1x M8x120 4.8 hex. head sc. 2063165 2x M8 nut 2184504</p> <p>Eyebolt combo 1x eyebolt and lock Kit MW-EB M8 L 1.5/1m 2280019 Kit MW-EB M8 L 1.5/2m 2280040 Kit MW-EB M8 L 1.5/3m 2280041 Kit MW-EB M8 L 1.5/5m 2280042 Kit MW-EB M8 L 1.5/10m 2280043</p> <p>Connection to L-hanger 1x MW-EB M8x26 eye bolt 2277563 2x M8 nut 2184504</p> <p>L-hanger 1x MVA-L L-hanger 386535</p> <p>Self-tapping screws 4x S-MS 01Z 4.0x13 S-screw 406471</p>		

For all other alternative L,Z-hangers look previous pages or www.hilti.com



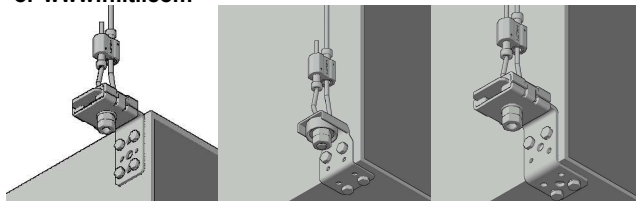
Application description	Application	Product lines	Base material
Wire system - Ventilation - L, Z-hangers On Metal Deck	<p>3</p>	Wire system	Metal Deck
<p>General comments</p> <ul style="list-style-type: none"> Loading must always be compared with the capacity of the metal deck and where relevant the V-hanger The deck hook must hang vertically from the deck. Only one wire may be suspended on each deck hook. 		L, Z-hangers	

Hilti strongly advises customers to verify the respective product application for the intended use by consulting a structural engineer and making the necessary calculations to ensure compliance with the applicable norms and standards. Failure to consult and heed the advice of a structural engineer will free Hilti from any liability. It is essential that the product is used strictly in accordance with the applicable Hilti instructions for use, within the application limits specified in the Hilti technical data sheets, technical specifications and supporting product literature, and that the relevant application limits are not exceeded at any time. All rights reserved by Hilti Corporation. Duplication, utilization and/or publication of drawings contained in this manual are not permitted unless expressly agreed by Hilti Corporation.

Ventilation - L, Z-hangers Fixed On Metal Deck:

1a	1a	2b	2b
	V-hanger With Self-tapping screws 1.5 wire		Through bolted V-hanger 2.0 wire
 eyebolt combo	V-Hanger 1x MVA-MS M8 V-hanger 386558 1x M8 nut 2184504 6x S-MS 01Z 4.0x13 S-screw 406471 Eyebolt combo 1x eyebolt and lock Kit MW-EB M8 L 1.5/1m 2280019 Kit MW-EB M8 L 1.5/2m 2280040 Kit MW-EB M8 L 1.5/3m 2280041 Kit MW-EB M8 L 1.5/5m 2280042 Kit MW-EB M8 L 1.5/10m 2280043 Connection to L-hanger 1x MW-EB M8x26 eye bolt 2277563 2x M8 nut 2184504 1x MVA-L L-hanger 386535 4x S-MS 01Z 4.0x13 S-screw 406471	 eyebolt combo	V-Hanger 1x MVA-MS M8 V-hanger 386558 1x M8 nut 2184504 Through-bolt version 1 t-rod 1x AM8x1000 fixed t-rod 339793 4x M8 nut 2184504 Through-bolt ver. 2 long h-head screw 1x M8x120 4.8 h-head screw 2063165 2x M8 nut 2184504 Eyebolt combo 1x eyebolt and lock Kit MW-EB M8 L 2.0/1m 2280044 Kit MW-EB M8 L 2.0/2m 2280045 Kit MW-EB M8 L 2.0/3m 2280046 Kit MW-EB M8 L 2.0/5m 2280047 Kit MW-EB M8 L 2.0/10m 2280048 L-hanger and connection 1x MW-EB M8x26 eye bolt 2277563 2x M8 nut 2184504 1x A 8,4x16 washer 2184556 1x MVA-LP 60 L-hanger 411500 Self-tapping screws 4x S-MS 01Z 4.0x13 S-screw 406471
	1b V-hanger with self-tapping screws 2.0 wire V-hanger 1x MVA-MS M8 V-hanger 386558 1x M8 nut 2184504 6x S-MS 01Z 4.0x13 S-screw 406471 Eyebolt combo 1x eyebolt and lock Kit MW-EB M8 L 2.0/1m 2280044 Kit MW-EB M8 L 2.0/2m 2280045 Kit MW-EB M8 L 2.0/3m 2280046 Kit MW-EB M8 L 2.0/5m 2280047 Kit MW-EB M8 L 2.0/10m 2280048 Connection to L-hanger 1x MW-EB M8x26 eye bolt 2277563 2x M8 nut 2184504 1x A 8,4x16 washer 2184556 1x MVA-LP 60 L-hanger 411500 4x S-MS 01Z 4.0x13 S-screw 406471		2a Through bolted V-hanger 1.5 wire V-Hanger 1x MVA-MS M8 V-hanger 386558 1x M8 nut 2184504 Through-bolt version 1 t-rod 1x AM8x1000 fixed t-rod 339793 4x M8 nut 2184504 Through-bolt ver. 2 long h-head screw 1x M8x120 4.8 hex. head screw 2063165 2x M8 nut 2184504 Eyebolt combo 1x eyebolt and lock Kit MW-EB M8 L 1.5/1m 2280019 Kit MW-EB M8 L 1.5/2m 2280040 Kit MW-EB M8 L 1.5/3m 2280041 Kit MW-EB M8 L 1.5/5m 2280042 Kit MW-EB M8 L 1.5/10m 2280043 Connection to L-hanger 1x MW-EB M8x26 eye bolt 2277563 2x M8 nut 2184504 1x MVA-L L-hanger 386535 Self-tapping screws 4x S-MS 01Z 4.0x13 S-screw 406471

For all other alternative L,Z-hangers look previous pages or www.hilti.com

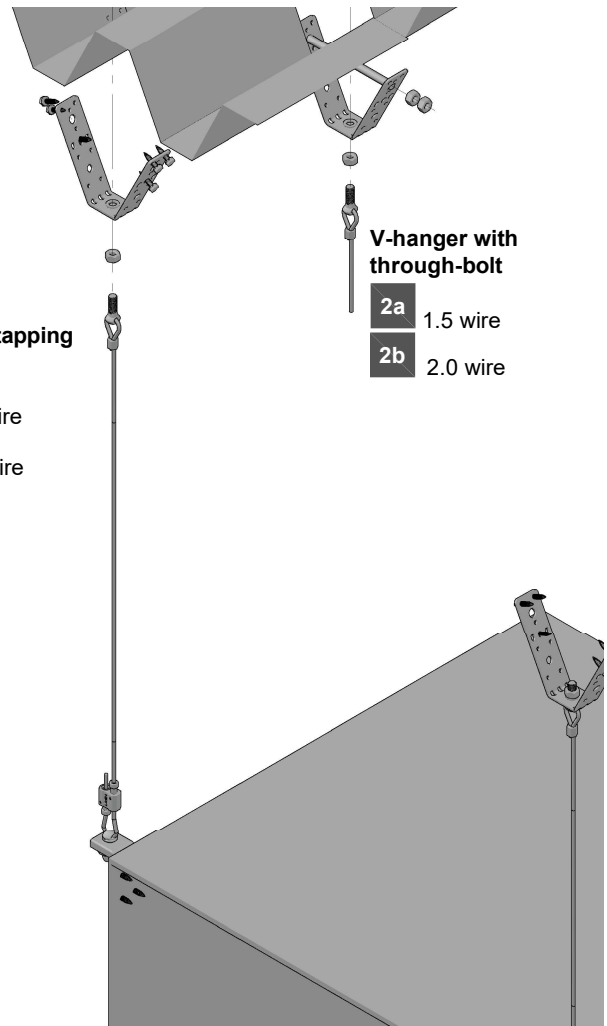


V-hanger with self-tapping screws

- 1a 1.5 wire
- 1b 2.0 wire

V-hanger with through-bolt

- 2a 1.5 wire
- 2b 2.0 wire

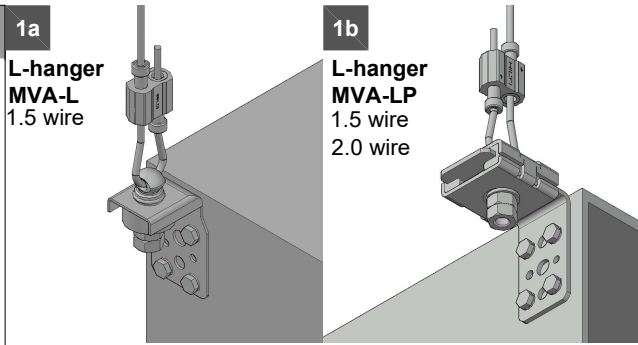


Application description	Application	Product lines	Base material
Wire system - Ventilation - L, Z-hangers On Metal Deck		Wire system	Metal deck
General comments <ul style="list-style-type: none"> • Loading must always be compared with the capacity of the metal deck and all connecting components • Only for vertically suspended loads. Not suitable for bracing. 		L, Z-hangers	

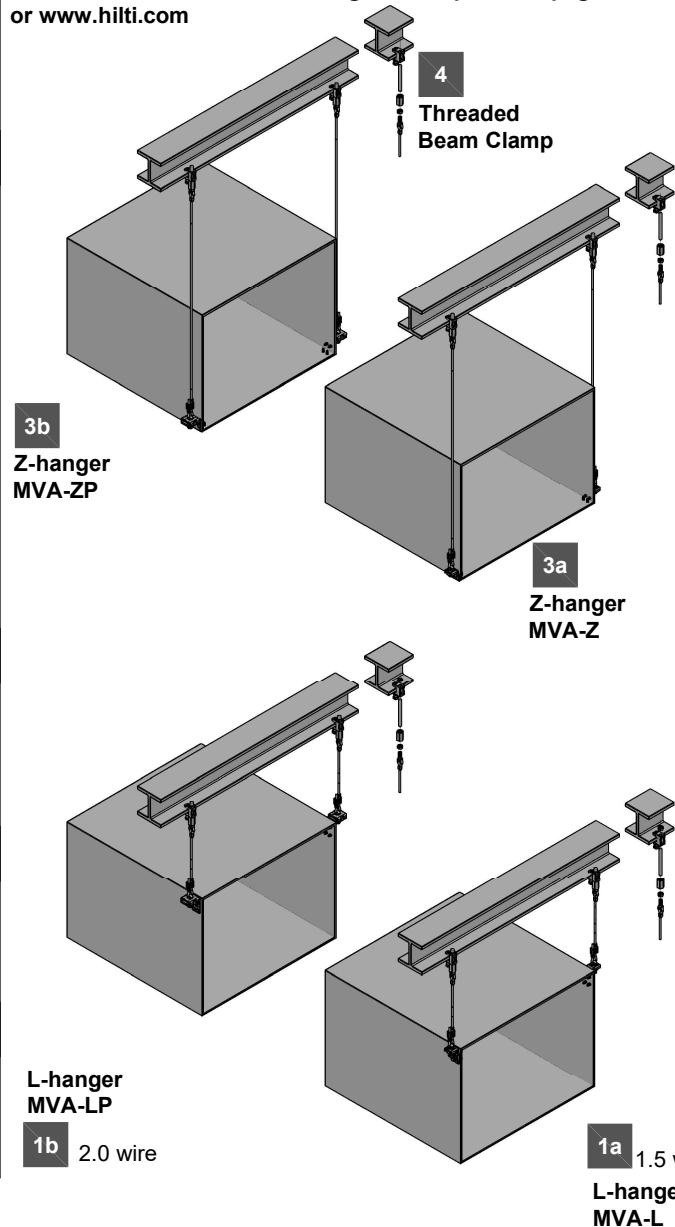
Hilti strongly advises customers to verify the respective product application for the intended use by consulting a structural engineer and making the necessary calculations to ensure compliance with the applicable norms and standards. Failure to consult and heed the advice of a structural engineer will free Hilti from any liability. It is essential that the product is used strictly in accordance with the applicable Hilti instructions for use, within the application limits specified in the Hilti technical data sheets, technical specifications and supporting product literature, and that the relevant application limits are not exceeded at any time. All rights reserved by Hilti Corporation. Duplication, utilization and/or publication of drawings contained in this manual are not permitted unless expressly agreed by Hilti Corporation.

Ventilation - L, Z-hangers Fixed On Structural Steel Using Beam Clamps:

	<table border="1"> <thead> <tr> <th colspan="2">1a Unthreaded Beam Clamp 1.5 wire</th> </tr> </thead> <tbody> <tr> <td>Beam clamp</td> <td></td> </tr> <tr> <td>1x MAB-9 beam clamp</td> <td>375956</td> </tr> <tr> <td>2x M8 nut</td> <td>2184504</td> </tr> <tr> <td>1x M8x1000 4.8 threaded rod</td> <td>2140926</td> </tr> <tr> <td>1x M8x25 coupler</td> <td>216703</td> </tr> <tr> <td>Eyebolt combo</td> <td></td> </tr> <tr> <td>1x eyebolt and lock</td> <td></td> </tr> <tr> <td>Kit MW-EB M8 L 1.5/1m</td> <td>2280019</td> </tr> <tr> <td>Kit MW-EB M8 L 1.5/2m</td> <td>2280040</td> </tr> <tr> <td>Kit MW-EB M8 L 1.5/3m</td> <td>2280041</td> </tr> <tr> <td>Kit MW-EB M8 L 1.5/5m</td> <td>2280042</td> </tr> <tr> <td>Kit MW-EB M8 L 1.5/10m</td> <td>2280043</td> </tr> <tr> <td>Connection to L-hanger</td> <td></td> </tr> <tr> <td>1x MW-EB M8x26 eye bolt</td> <td>2277563</td> </tr> <tr> <td>2x M8 nut</td> <td>2184504</td> </tr> <tr> <td>L-hanger</td> <td></td> </tr> <tr> <td>1x MVA-L L-hanger</td> <td>386535</td> </tr> <tr> <td>Self-tapping screws</td> <td></td> </tr> <tr> <td>4x S-MS 01Z 4.0x13 S-screw</td> <td>406471</td> </tr> </tbody> </table>	1a Unthreaded Beam Clamp 1.5 wire		Beam clamp		1x MAB-9 beam clamp	375956	2x M8 nut	2184504	1x M8x1000 4.8 threaded rod	2140926	1x M8x25 coupler	216703	Eyebolt combo		1x eyebolt and lock		Kit MW-EB M8 L 1.5/1m	2280019	Kit MW-EB M8 L 1.5/2m	2280040	Kit MW-EB M8 L 1.5/3m	2280041	Kit MW-EB M8 L 1.5/5m	2280042	Kit MW-EB M8 L 1.5/10m	2280043	Connection to L-hanger		1x MW-EB M8x26 eye bolt	2277563	2x M8 nut	2184504	L-hanger		1x MVA-L L-hanger	386535	Self-tapping screws		4x S-MS 01Z 4.0x13 S-screw	406471
1a Unthreaded Beam Clamp 1.5 wire																																									
Beam clamp																																									
1x MAB-9 beam clamp	375956																																								
2x M8 nut	2184504																																								
1x M8x1000 4.8 threaded rod	2140926																																								
1x M8x25 coupler	216703																																								
Eyebolt combo																																									
1x eyebolt and lock																																									
Kit MW-EB M8 L 1.5/1m	2280019																																								
Kit MW-EB M8 L 1.5/2m	2280040																																								
Kit MW-EB M8 L 1.5/3m	2280041																																								
Kit MW-EB M8 L 1.5/5m	2280042																																								
Kit MW-EB M8 L 1.5/10m	2280043																																								
Connection to L-hanger																																									
1x MW-EB M8x26 eye bolt	2277563																																								
2x M8 nut	2184504																																								
L-hanger																																									
1x MVA-L L-hanger	386535																																								
Self-tapping screws																																									
4x S-MS 01Z 4.0x13 S-screw	406471																																								
	<table border="1"> <thead> <tr> <th colspan="2">1b Unthreaded Beam Clamp 2.0 wire</th> </tr> </thead> <tbody> <tr> <td>Beam clamp</td> <td></td> </tr> <tr> <td>1x MAB-9 beam clamp</td> <td>375956</td> </tr> <tr> <td>1x M8 nut</td> <td>2184504</td> </tr> <tr> <td>1x M8x1000 4.8 threaded rod</td> <td>2140926</td> </tr> <tr> <td>1x M8x25 coupler</td> <td>216703</td> </tr> <tr> <td>Eyebolt combo</td> <td></td> </tr> <tr> <td>1x eyebolt and lock</td> <td></td> </tr> <tr> <td>Kit MW-EB M8 L 2.0/1m</td> <td>2280044</td> </tr> <tr> <td>Kit MW-EB M8 L 2.0/2m</td> <td>2280045</td> </tr> <tr> <td>Kit MW-EB M8 L 2.0/3m</td> <td>2280046</td> </tr> <tr> <td>Kit MW-EB M8 L 2.0/5m</td> <td>2280047</td> </tr> <tr> <td>Kit MW-EB M8 L 2.0/10m</td> <td>2280048</td> </tr> <tr> <td>L-hanger and connection</td> <td></td> </tr> <tr> <td>1x MW-EB M8x26 eye bolt</td> <td>2277563</td> </tr> <tr> <td>2x M8 nut</td> <td>2184504</td> </tr> <tr> <td>1x A 8,4x16 washer</td> <td>2184556</td> </tr> <tr> <td>1x MVA-LP 60 L-hanger</td> <td>411500</td> </tr> <tr> <td>Self-tapping screws</td> <td></td> </tr> <tr> <td>4x S-MS 01Z 4.0x13 S-screw</td> <td>406471</td> </tr> </tbody> </table>	1b Unthreaded Beam Clamp 2.0 wire		Beam clamp		1x MAB-9 beam clamp	375956	1x M8 nut	2184504	1x M8x1000 4.8 threaded rod	2140926	1x M8x25 coupler	216703	Eyebolt combo		1x eyebolt and lock		Kit MW-EB M8 L 2.0/1m	2280044	Kit MW-EB M8 L 2.0/2m	2280045	Kit MW-EB M8 L 2.0/3m	2280046	Kit MW-EB M8 L 2.0/5m	2280047	Kit MW-EB M8 L 2.0/10m	2280048	L-hanger and connection		1x MW-EB M8x26 eye bolt	2277563	2x M8 nut	2184504	1x A 8,4x16 washer	2184556	1x MVA-LP 60 L-hanger	411500	Self-tapping screws		4x S-MS 01Z 4.0x13 S-screw	406471
1b Unthreaded Beam Clamp 2.0 wire																																									
Beam clamp																																									
1x MAB-9 beam clamp	375956																																								
1x M8 nut	2184504																																								
1x M8x1000 4.8 threaded rod	2140926																																								
1x M8x25 coupler	216703																																								
Eyebolt combo																																									
1x eyebolt and lock																																									
Kit MW-EB M8 L 2.0/1m	2280044																																								
Kit MW-EB M8 L 2.0/2m	2280045																																								
Kit MW-EB M8 L 2.0/3m	2280046																																								
Kit MW-EB M8 L 2.0/5m	2280047																																								
Kit MW-EB M8 L 2.0/10m	2280048																																								
L-hanger and connection																																									
1x MW-EB M8x26 eye bolt	2277563																																								
2x M8 nut	2184504																																								
1x A 8,4x16 washer	2184556																																								
1x MVA-LP 60 L-hanger	411500																																								
Self-tapping screws																																									
4x S-MS 01Z 4.0x13 S-screw	406471																																								
	<table border="1"> <thead> <tr> <th colspan="2">2 Alternative L-hangers</th> </tr> </thead> <tbody> <tr> <td>MVA-L L-hanger Suitable for wire 1.5</td> <td>386535</td> </tr> <tr> <td>MVA-LP 60 L-hanger Suitable for wire 1.5 and 2.0</td> <td>411500</td> </tr> <tr> <td>MVA-LP 100 L-hanger Suitable for wire 1.5 and 2.0</td> <td>411501</td> </tr> </tbody> </table>	2 Alternative L-hangers		MVA-L L-hanger Suitable for wire 1.5	386535	MVA-LP 60 L-hanger Suitable for wire 1.5 and 2.0	411500	MVA-LP 100 L-hanger Suitable for wire 1.5 and 2.0	411501																																
2 Alternative L-hangers																																									
MVA-L L-hanger Suitable for wire 1.5	386535																																								
MVA-LP 60 L-hanger Suitable for wire 1.5 and 2.0	411500																																								
MVA-LP 100 L-hanger Suitable for wire 1.5 and 2.0	411501																																								
	<table border="1"> <thead> <tr> <th colspan="2">3 Alternative Z-hangers</th> </tr> </thead> <tbody> <tr> <td>MVA-Z Z-hanger Suitable for wire 1.5</td> <td>386532</td> </tr> <tr> <td>MVA-ZP Z-hanger Suitable for wire 1.5 and 2.0</td> <td>411499</td> </tr> </tbody> </table>	3 Alternative Z-hangers		MVA-Z Z-hanger Suitable for wire 1.5	386532	MVA-ZP Z-hanger Suitable for wire 1.5 and 2.0	411499																																		
3 Alternative Z-hangers																																									
MVA-Z Z-hanger Suitable for wire 1.5	386532																																								
MVA-ZP Z-hanger Suitable for wire 1.5 and 2.0	411499																																								
	<table border="1"> <thead> <tr> <th colspan="2">4 Alternative Threaded Beam Clamp</th> </tr> </thead> <tbody> <tr> <td>Beam clamp</td> <td></td> </tr> <tr> <td>1x MAB-M8 beam clamp</td> <td>2006878</td> </tr> <tr> <td>1x M8x1000 4.8 threaded rod</td> <td>2140926</td> </tr> <tr> <td>1x M8x25 coupler</td> <td>216703</td> </tr> <tr> <td>1x M8 nut</td> <td>2184504</td> </tr> </tbody> </table>	4 Alternative Threaded Beam Clamp		Beam clamp		1x MAB-M8 beam clamp	2006878	1x M8x1000 4.8 threaded rod	2140926	1x M8x25 coupler	216703	1x M8 nut	2184504																												
4 Alternative Threaded Beam Clamp																																									
Beam clamp																																									
1x MAB-M8 beam clamp	2006878																																								
1x M8x1000 4.8 threaded rod	2140926																																								
1x M8x25 coupler	216703																																								
1x M8 nut	2184504																																								



For all other alternative L,Z-hangers look previous pages or www.hilti.com

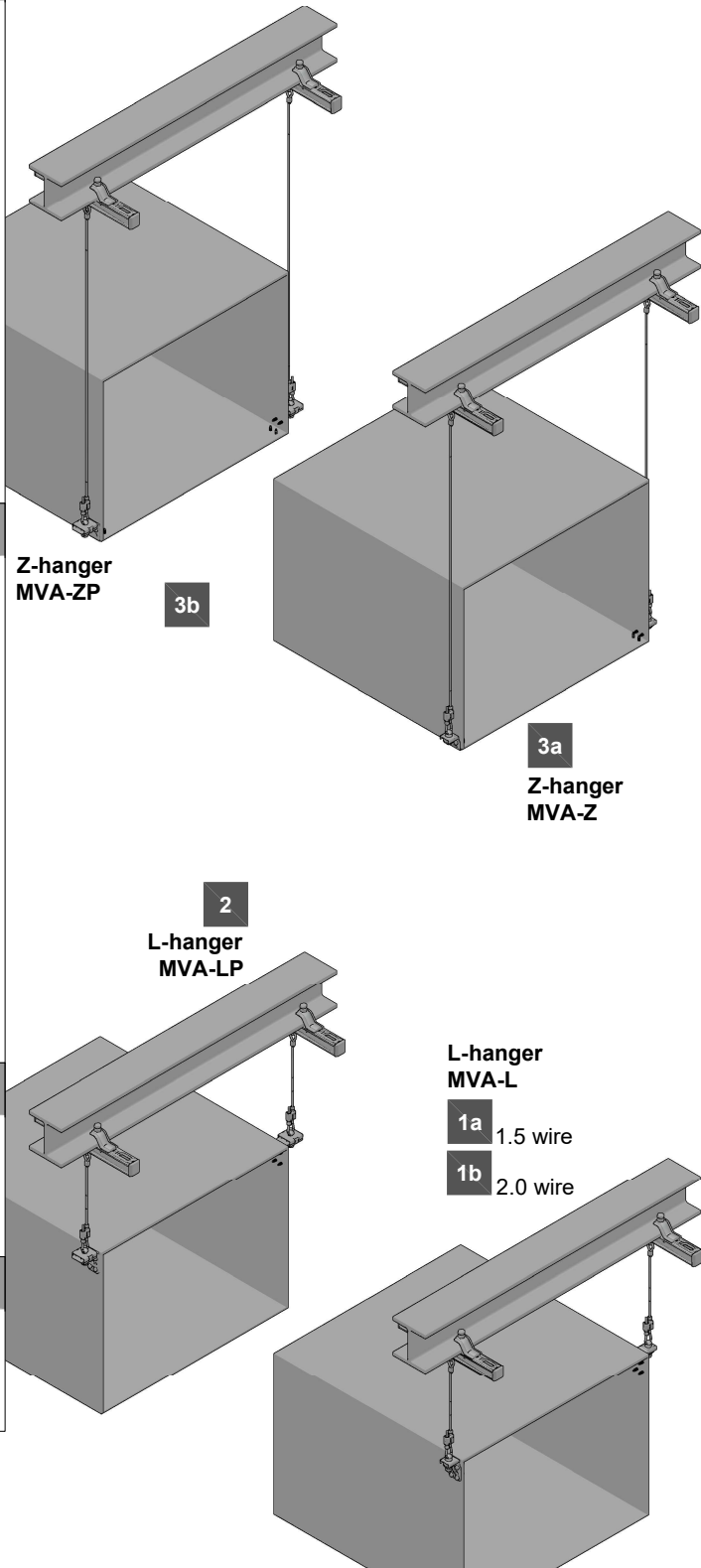


Application description	Application	Product lines	Base material
Wire system - Ventilation L, Z-hangers On Structural Steel		3 Wire system	Structural Steel
General comments		Beam Clamps	
<ul style="list-style-type: none"> Loading must always be compared with the capacity of the beam clamp and structural steel and all connecting parts. Only for vertically suspended loads. Not suitable for bracing. 			

Hilti strongly advises customers to verify the respective product application for the intended use by consulting a structural engineer and making the necessary calculations to ensure compliance with the applicable norms and standards. Failure to consult and heed the advice of a structural engineer will free Hilti from any liability. It is essential that the product is used strictly in accordance with the applicable Hilti instructions for use, within the application limits specified in the Hilti technical data sheets, technical specifications and supporting product literature, and that the relevant application limits are not exceeded at any time. All rights reserved by Hilti Corporation. Duplication, utilization and/or publication of drawings contained in this manual are not permitted unless expressly agreed by Hilti Corporation.

Ventilation - L, Z-hangers Fixed On Structural Steel - Centric solution using MM Channel System:

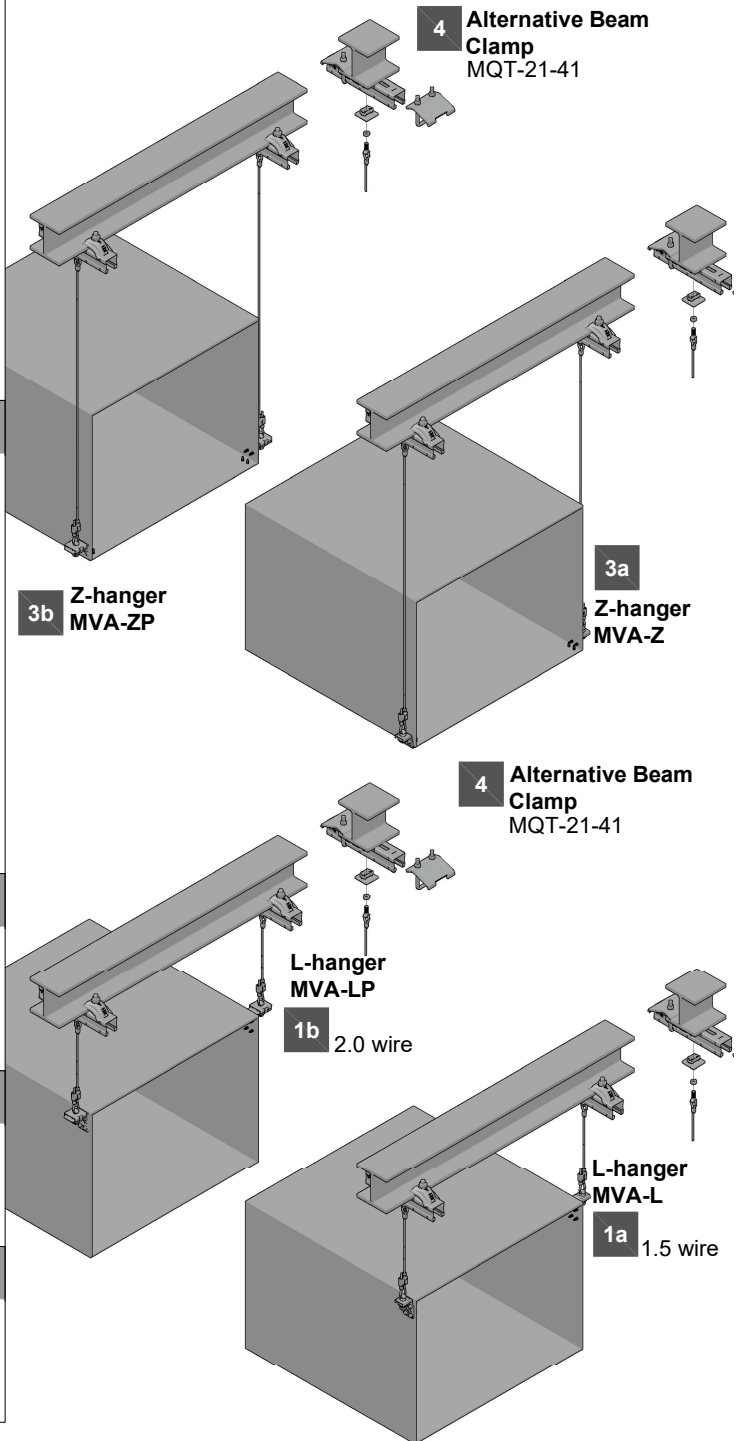
<p>1a</p>	<p>1a Centric fixation of MM System channel, 1.5 wire</p> <p>Clamps 2x MM-T-16-36 418763</p> <p>Channel e.g. 1x MM-C-30 2mm 418749</p> <p>Saddle nut 1x MM-S M8 418760</p> <p>Nut 1x M8 nut 2184504</p> <p>Eyebolt combo 1x eyebolt and lock Kit MW-EB M8 L 1.5/1m 2280019 Kit MW-EB M8 L 1.5/2m 2280040 Kit MW-EB M8 L 1.5/3m 2280041 Kit MW-EB M8 L 1.5/5m 2280042 Kit MW-EB M8 L 1.5/10m 2280043</p> <p>Connection to L-hanger 1x MW-EB M8x26 eye bolt 2277563 2x M8 nut 2184504</p> <p>L-hanger 1x MVA-L L-hanger 386535</p> <p>Self-tapping screws 4x S-MS 01Z 4.0x13 S-screw 406471</p>
<p>1b</p>	<p>1b Centric fixation of MM System channel, 2.0 wire</p> <p>Clamps 2x MM-T-16-36 418763</p> <p>Channel e.g. 1x MM-C-30 2mm 418749</p> <p>Saddle nut 1x MM-S M8 418760</p> <p>Nut 1x M8 nut 2184504</p> <p>Eyebolt combo 1x eyebolt and lock Kit MW-EB M8 L 2.0/1m 2280044 Kit MW-EB M8 L 2.0/2m 2280045 Kit MW-EB M8 L 2.0/3m 2280046 Kit MW-EB M8 L 2.0/5m 2280047 Kit MW-EB M8 L 2.0/10m 2280048</p> <p>L-hanger and connection to L-hanger 1x MW-EB M8x26 eye bolt 2277563 2x M8 nut 2184524 1x A 8,4x16 washer 2184556 1x MVA-LP 60 L-hanger 411500</p> <p>Self-tapping screws 4x S-MS 01Z 4.0x13 S-screw 406471</p>
<p>2</p>	<p>2 Alternative L-hangers</p> <p>MVA-L L-hanger 386535 Suitable for wire 1.5</p> <p>MVA-LP 60 L-hanger 411500 Suitable for wire 1.5 and 2.0</p> <p>MVA-LP 100 L-hanger 411501 Suitable for wire 1.5 and 2.0</p>
<p>3a</p>	<p>3 Alternative Z-hangers</p> <p>MVA-Z Z-hanger 386532 Suitable for wire 1.5</p> <p>MVA-ZP Z-hanger 411499 Suitable for wire 1.5 and 2.0</p>



Application description	Application	Product lines	Base material
Wire system - Ventilation L, Z-hangers On Structural Steel Using MM Channels	3	Wire system	Structural Steel
General comments		MM System	
<ul style="list-style-type: none"> Loading must always be compared with the capacity of all connected parts Only for vertically suspended loads. Not suitable for bracing. 			

Ventilation - L, Z-hangers Fixed On Structural Steel - Centric solution using MQ Channel System:

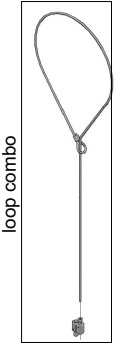
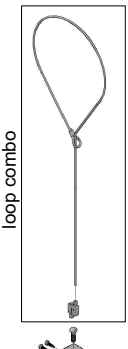
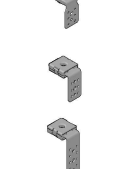


<p>1a</p>	<p>1a Centric fixation of MQ System channel, 1.5 wire</p> <p>2x MQT-U beam clamp 2115454 1x MQ-41 3m channel 369591 1x MQA-S-M8 saddle nut 2141906 1x M8 nut 2184504</p> <p>Eyebolt combo 1x eyebolt and lock Kit MW-EB M8 L 1.5/1m 2280019 Kit MW-EB M8 L 1.5/2m 2280040 Kit MW-EB M8 L 1.5/3m 2280041 Kit MW-EB M8 L 1.5/5m 2280042 Kit MW-EB M8 L 1.5/10m 2280043</p> <p>Connection to L-hanger 1x MW-EB M8x28 eye bolt 2277563 2x M8 nut 2184524</p> <p>L-hanger 1x MVA-L L-hanger 386535</p> <p>Self-tapping screws 4x S-MS 01Z 4.0x13 S-screw 406471</p>
<p>1b</p>	<p>1b Centric fixation of MQ System channel, 2.0 wire</p> <p>2x MQT-U beam clamp 2115454 1x MQ-41 3m channel 369591 1x MQA-S-M8 saddle nut 2141906 1x M8 nut 2184504</p> <p>Eyebolt combo 1x eyebolt and lock Kit MW-EB M8 L 2.0/1m 2280044 Kit MW-EB M8 L 2.0/2m 2280045 Kit MW-EB M8 L 2.0/3m 2280046 Kit MW-EB M8 L 2.0/5m 2280047 Kit MW-EB M8 L 2.0/10m 2280048</p> <p>L-hanger and connection 1x MW-EB M8x28 eye bolt 2277563 2x M8 nut 2184504 1x A 8,4x16 washer 2184556 1x MVA-LP 60 L-hanger 411500</p> <p>Self-tapping screws 4x S-MS 01Z 4.0x13 S-screw 406471</p>
<p>2</p>	<p>2 Alternative L-hangers</p> <p>MVA-L L-hanger 386535 Suitable for wire 1.5 MVA-LP 60 L-hanger 411500 Suitable for wire 1.5 and 2.0 MVA-LP 100 L-hanger 411501 Suitable for wire 1.5 and 2.0</p>
<p>3a</p>	<p>3 Alternative Z-hangers</p> <p>MVA-Z Z-hanger 386532 Suitable for wire 1.5 MVA-ZP Z-hanger 411499 Suitable for wire 1.5 and 2.0</p>
<p>4</p>	<p>4 Alternative Beam Clamp MQT</p> <p>2x MQT-21-41 beam clamp 369675 1x MQ-41 3m ...m channel 369591 1x MQA-S-M8 saddle nut 2141906 1x M8 nut 2184504</p>

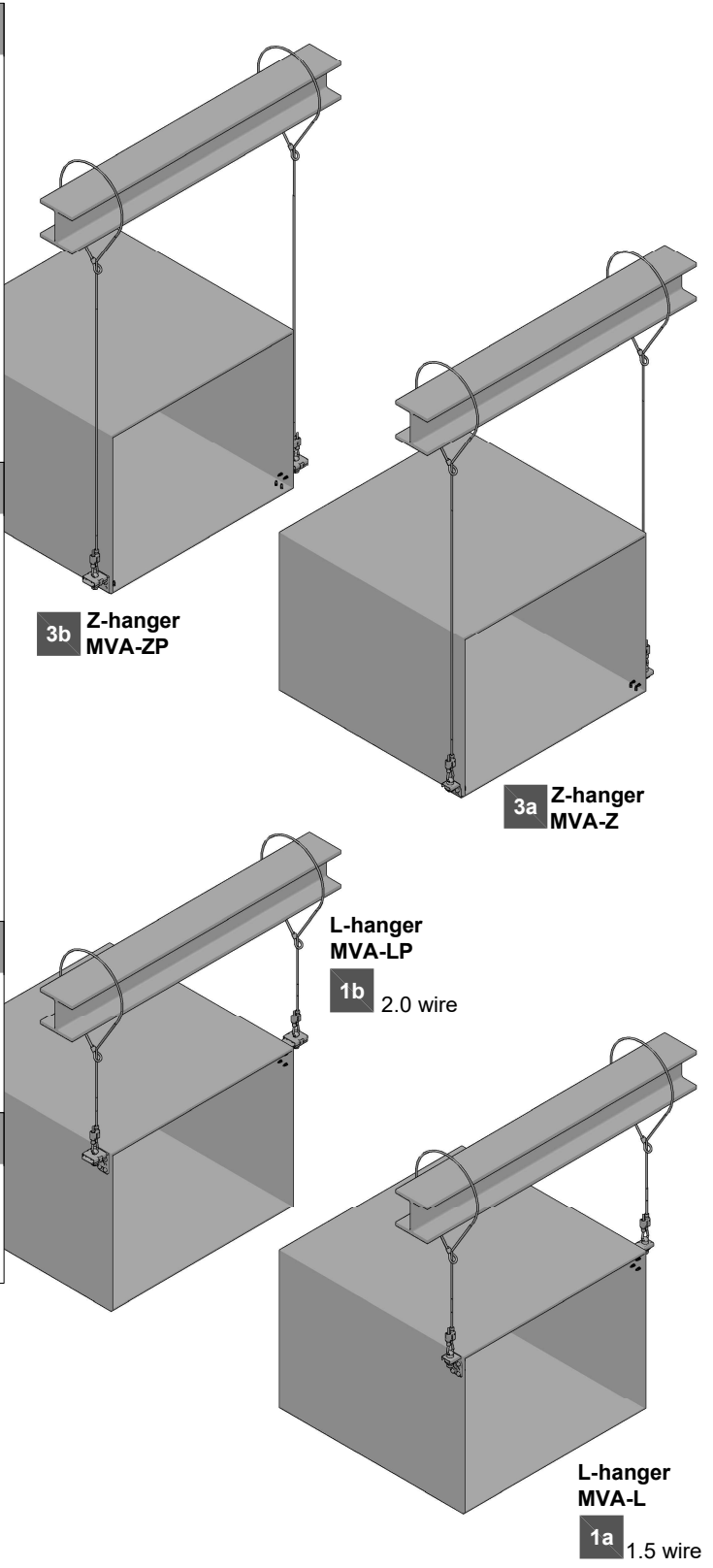


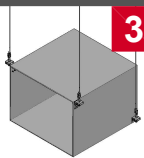
Application description	Application	Product lines	Base material
Wire system - Ventilation - L, Z-hangers On Structural Steel - MQ System	<p>3</p>	Wire system	Structural Steel
General comments		MQ System	
<ul style="list-style-type: none"> Loading must always be compared with the capacity of all connected parts Only for vertically suspended loads. Not suitable for bracing. 		L,Z Hangers	

Hilti strongly advises customers to verify the respective product application for the intended use by consulting a structural engineer and making the necessary calculations to ensure compliance with the applicable norms and standards. Failure to consult and heed the advice of a structural engineer will free Hilti from any liability. It is essential that the product is used strictly in accordance with the applicable Hilti instructions for use, within the application limits specified in the Hilti technical data sheets, technical specifications and supporting product literature, and that the relevant application limits are not exceeded at any time. All rights reserved by Hilti Corporation. Duplication, utilization and/or publication of drawings contained in this manual are not permitted unless expressly agreed by Hilti Corporation.

Ventilation - L, Z-hangers Fixed On Structural Steel - Looping The Profile:

<p>1a</p>  <p>loop combo</p>	<p>1a Looping the profile with 1.5 wire</p> <p>Loop combo 1x loop and lock Kit MW-LP L 1.5/1m 2280072 Kit MW-LP L 1.5/2m 2280073 Kit MW-LP L 1.5/3m 2280074 Kit MW-LP L 1.5/5m 2280075 Kit MW-LP L 1.5/10m 2280076</p> <p>Connection to L-hanger 1x MW-EB M8x26 eye bolt 2277563 2x M8 nut 2184504 L-hanger 1x MVA-L L-hanger 386535 Self-tapping screws 4x S-MS 01Z 4.0x13 S-screw 406471</p>
<p>1b</p>  <p>loop combo</p>	<p>1b Looping the profile with 2.0 wire</p> <p>Loop combo 1x loop and lock Kit MW-LP L 2.0/1m 2280077 Kit MW-LP L 2.0/2m 2280078 Kit MW-LP L 2.0/3m 2280079 Kit MW-LP L 2.0/5m 2280080 Kit MW-LP L 2.0/10m 2280081</p> <p>Connection to L-hanger 1x MW-EB M8x26 eye bolt 2277563 2x M8 nut 2184504 1x A 8,4x16 washer 2184556 L-hanger 1x MVA-LP 60 L-hanger 411500 Self-tapping screws 4x S-MS 01Z 4.0x13 S-screw 406471</p>
<p>2</p> 	<p>2 Alternative L-hangers</p> <p>MVA-L L-hanger 386535 Suitable for wire 1.5 MVA-LP 60 L-hanger 411500 Suitable for wire 1.5 and 2.0 MVA-LP 100 L-hanger 411501 Suitable for wire 1.5 and 2.0</p>
<p>3a</p>  <p>3b</p> 	<p>3 Alternative Z-hangers</p> <p>MVA-Z Z-hanger 386532 Suitable for wire 1.5 MVA-ZP Z-hanger 411499 Suitable for wire 1.5 and 2.0</p>

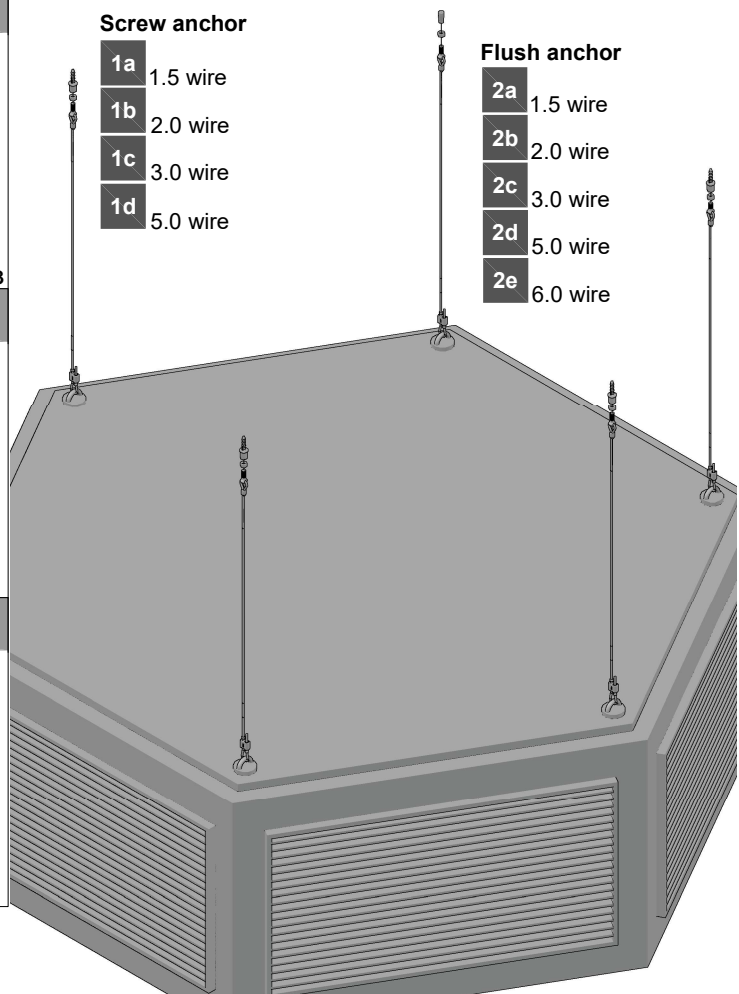


Application description	Application	Product lines	Base material
Wire system - Ventilation - L, Z-hangers On Structural Steel - Looped	 <p>3</p>	Wire system	Structural Steel
General comments		MQ System	
<ul style="list-style-type: none"> Loading must always be compared with the capacity of the structural steel and all connected parts. Sharp edges must be avoided to prevent damage to the wire. 		L,Z Hangers	

Hilti strongly advises customers to verify the respective product application for the intended use by consulting a structural engineer and making the necessary calculations to ensure compliance with the applicable norms and standards. Failure to consult and heed the advice of a structural engineer will free Hilti from any liability. It is essential that the product is used strictly in accordance with the applicable Hilti instructions for use, within the application limits specified in the Hilti technical data sheets, technical specifications and supporting product literature, and that the relevant application limits are not exceeded at any time. All rights reserved by Hilti Corporation. Duplication, utilization and/or publication of drawings contained in this manual are not permitted unless expressly agreed by Hilti Corporation.

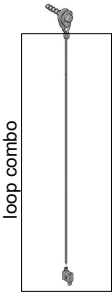
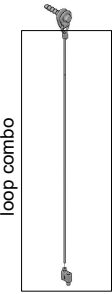
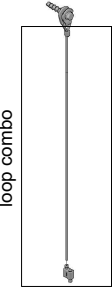
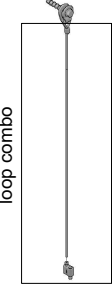
Ventilation Unit On a Concrete Slab:

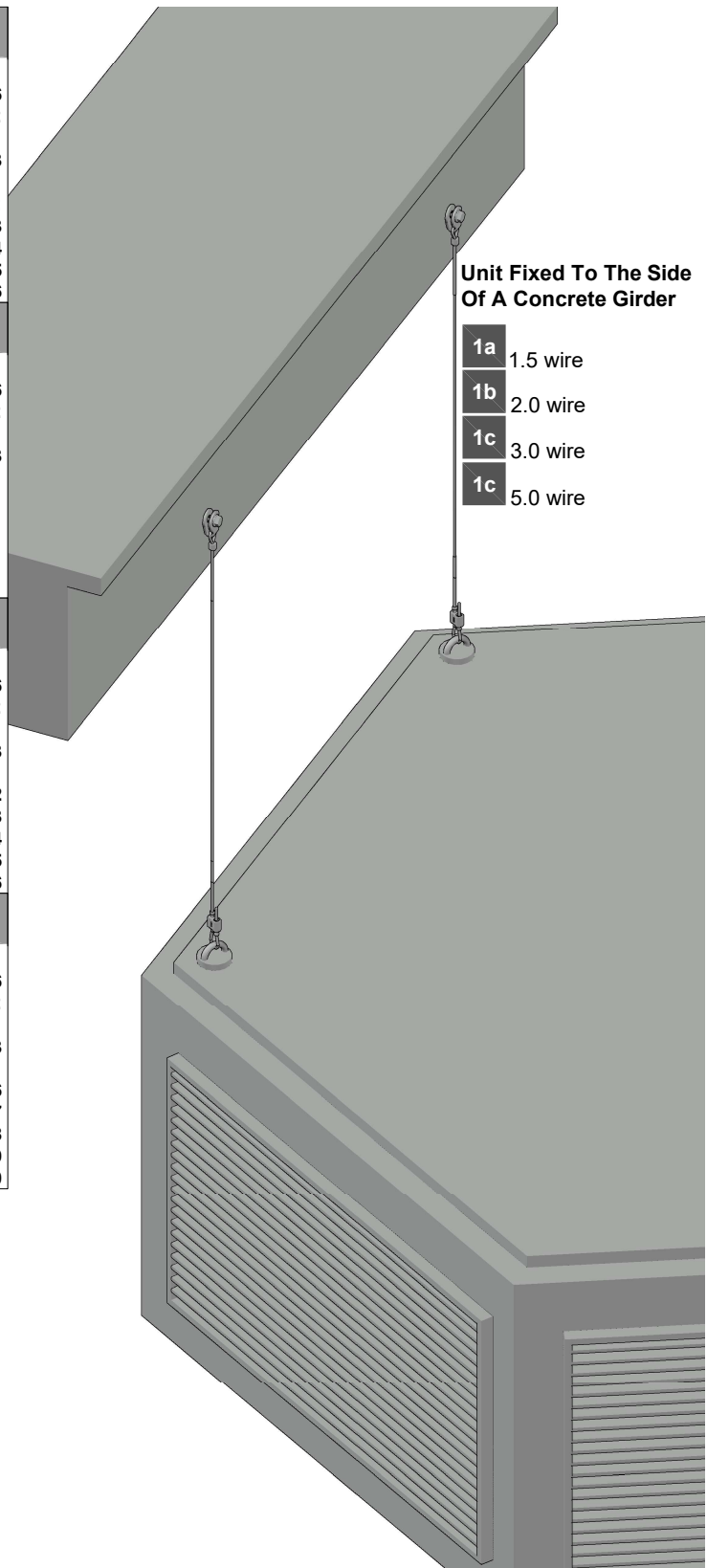
1a		1a	Screw anchor, M8 support 1.5 wire		2a-c	Flush anchor, M8 support 1.5, 2.0, 3.0 wire
		1x	screw anchor HUS-I 6x35 M8/M10 anchor 416740 HUS-I 6x55 M8/M10 anchor 423180 M8 nut 2184504		1x	flush anchor HKD M8x25 anchor 376957 HKD M8x30 anchor 376959 HKD M8x40 anchor 376961 M8 nut 2184504
1b		1b	Screw anchor, M8 support 2.0 wire		2d	Flush anchor, M10 support 5.0 wire
		1x	screw anchor HUS-I 6x35 M8/M10 anchor 416740 HUS-I 6x55 M8/M10 anchor 423180 M8 nut 2184504		1x	flush anchor HKD M10x25 anchor 2037453 HKD M10x30 anchor 376965 HKD M10x40 anchor 376967 M10 nut 2184505
1c		1c	Screw anchor, M8 support 3.0 wire	Screw anchor	1a 1.5 wire 1b 2.0 wire 1c 3.0 wire 1d 5.0 wire	Flush anchor
		1x	screw anchor HUS-I 6x35 M8/M10 anchor 416740 HUS-I 6x55 M8/M10 anchor 423180 M8 nut 2184504			
1d		1d	Screw anchor, M10 support 5.0 wire	Eyebolt combo	1x	the same combos as
		1x	screw anchor HUS-I 6x35 M8/M10 anchor 416740 HUS-I 6x55 M8/M10 anchor 423180 M10 nut 2184505			
2e		2e	Flush anchor, M12 support 6.0 wire	Eyebolt combo	1x	the same combos as
		1x	flush anchor HKD M12x50 anchor 378544 M 12 nut 2184554			
1x		1x	eyebolt and lock	Kit MW-EB M8 L 3.0/1m 2280049 Kit MW-EB M8 L 3.0/2m 2280050 Kit MW-EB M8 L 3.0/3m 2280051 Kit MW-EB M8 L 3.0/5m 2280052 Kit MW-EB M8 L 3.0/10m 2280053	Kit MW-EB M10 L 5.0/1m 2280054 Kit MW-EB M10 L 5.0/2m 2280055 Kit MW-EB M10 L 5.0/3m 2280056 Kit MW-EB M10 L 5.0/5m 2280057 Kit MW-EB M10 L 5.0/10m 2280058	Kit MW-EB M12 L 6.0/3m 2280059 Kit MW-EB M12 L 6.0/5m 2280060 Kit MW-EB M12 L 6.0/10m 2280061
		1x	eyebolt and lock			




Application description	Application	Product lines	Base material
Wire system - Ventilation Unit On Concrete Slab	4	Wire system	Concrete
General comments		Anchors	
<ul style="list-style-type: none"> Loading must always be compared with the capacity of the anchor within the chosen base material and all connected parts. Only for vertically suspended loads. Eye-bolt not suitable for bracing. 			

Ventilation Unit, On Concrete Girder:

<p>1a</p>  <p>loop combo</p>	<p>1a Clip attachement 1.5 wire</p> <p>Anchor 1x HUS3-H 8x75 25/15/5 anchor 2079796 HST3 M10x90 30/10 anchor 2105712</p> <p>Clip 1x MW-C clip 2287563</p> <p>Loop combo 1x Kit MW-LP L 1.5/1m 2280072 Kit MW-LP L 1.5/2m 2280073 Kit MW-LP L 1.5/3m 2280074 Kit MW-LP L 1.5/5m 2280075 Kit MW-LP L 1.5/10m 2280076</p>
<p>1b</p>  <p>loop combo</p>	<p>1b Clip attachement 2.0 wire</p> <p>Anchor 1x HUS3-H 8x75 25/15/5 anchor 2079796 HST3 M10x90 30/10 anchor 2105712</p> <p>Clip 1x MW-C clip 2287563</p> <p>Loop combo 1x Kit MW-LP L 2.0/1m 2280077 Kit MW-LP L 2.0/2m 2280078 Kit MW-LP L 2.0/3m 2280079 Kit MW-LP L 2.0/5m 2280080 Kit MW-LP L 2.0/10m 2280081</p>
<p>1c</p>  <p>loop combo</p>	<p>1c Clip attachement 3.0 wire</p> <p>Anchor 1x HUS3-H 8x75 25/15/5 anchor 2079796 HST3 M10x90 30/10 anchor 2105712</p> <p>Clip 1x MW-C clip 2287563</p> <p>Loop combo 1x Kit MW-LP L 3.0/1m 2280082 Kit MW-LP L 3.0/2m 2280083 Kit MW-LP L 3.0/3m 2280084 Kit MW-LP L 3.0/5m 2280085 Kit MW-LP L 3.0/10m 2280086</p>
<p>1d</p>  <p>loop combo</p>	<p>1d Clip attachement 5.0 wire</p> <p>Anchor 1x HUS3-H 8x75 25/15/5 anchor 2079796 HST3 M10x90 30/10 anchor 2105712</p> <p>Clip 1x MW-C clip 2287563</p> <p>Loop combo 1x Kit MW-LP L 5.0/1m 2287096 Kit MW-LP L 5.0/2m 2287097 Kit MW-LP L 5.0/3m 2287098 Kit MW-LP L 5.0/5m 2287099 Kit MW-LP L 5.0/10m 2287580</p>



Application description	Application	Product lines	Base material
Wire system - Ventilation Unit On Concrete Girder	 <p>4</p>	Wire system	Concrete
<p>General comments</p> <ul style="list-style-type: none"> Loading must always be compared with the capacity with the capacity of all connected parts and the anchor within the chosen base material. This capacity is affected by the angle of loading from the vertical and the prying factor Only one wire may be suspended on each clip 		Anchors	

Hilti strongly advises customers to verify the respective product application for the intended use by consulting a structural engineer and making the necessary calculations to ensure compliance with the applicable norms and standards. Failure to consult and heed the advice of a structural engineer will free Hilti from any liability. It is essential that the product is used strictly in accordance with the applicable Hilti instructions for use, within the application limits specified in the Hilti technical data sheets, technical specifications and supporting product literature, and that the relevant application limits are not exceeded at any time. All rights reserved by Hilti Corporation. Duplication, utilization and/or publication of drawings contained in this manual are not permitted unless expressly agreed by Hilti Corporation.

Ventilation Unit Fixed On Metal Deck - Hook and V-hanger:

	<p>1a Deck hook 1.5 wire</p> <p>Deck hook 1x MW-DH deck hook 2277567</p> <p>Loop combo 1x loop and lock</p> <p>Kit MW-LP L 1.5/1m 2280072 Kit MW-LP L 1.5/2m 2280073 Kit MW-LP L 1.5/3m 2280074 Kit MW-LP L 1.5/5m 2280075 Kit MW-LP L 1.5/10m 2280076</p>		<p>2c Through bolted V-hanger 3.0 wire</p> <p>V-Hanger 1x MF-TSH M8 V-hanger 229006 1x M8 nut 216465</p> <p>Through-bolt version 1-t-rod 1x AM8x1000 fixed t-rod 339793 4x M8 nut 216465</p> <p>Through-bolt ver. 2-long h-head screw 1x M8x120 4.8 hex. head sc. 2063165 2x M8 nut 216465</p> <p>Eyebolt combo 1x eyebolt and lock</p> <p>Kit MW-EB M8 L 3.0/1m 2280049 Kit MW-EB M8 L 3.0/2m 2280050 Kit MW-EB M8 L 3.0/3m 2280051 Kit MW-EB M8 L 3.0/5m 2280052 Kit MW-EB M8 L 3.0/10m 2280053</p>
	<p>1b Deck hook 2.0 wire</p> <p>Deck hook 1x MW-DH deck hook 2277567</p> <p>Loop combo 1x loop and lock</p> <p>Kit MW-LP L 2.0/1m 2280077 Kit MW-LP L 2.0/2m 2280078 Kit MW-LP L 2.0/3m 2280079 Kit MW-LP L 2.0/5m 2280080 Kit MW-LP L 2.0/10m 2280081</p>		<p>2d Through bolted V-hanger 5.0 wire</p> <p>V-Hanger 1x MF-TSH M10 V-hanger 229007 1x M10 nut 2184505</p> <p>Through-bolt version 1-t-rod 1x AM8x1000 fixed t-rod 339793 4x M8 nut 216465</p> <p>Through-bolt ver. 2-long h-head screw 1x M8x120 4.8 hex. head sc. 2063165 2x M8 nut 216465</p> <p>Eyebolt combo 1x eyebolt and lock</p> <p>Kit MW-EB M10 L 5.0/1m 2280054 Kit MW-EB M10 L 5.0/2m 2280055 Kit MW-EB M10 L 5.0/3m 2280056 Kit MW-EB M10 L 5.0/5m 2280057 Kit MW-EB M10 L 5.0/10m 2280058</p>
	<p>2a Through bolted V-hanger 1.5 wire</p> <p>AV-Hanger 1x MF-TSH M8 V-hanger 229006 1x M8 nut 216465</p> <p>Through-bolt version 1 t-rod 1x AM8x1000 fixed t-rod 339793 4x M8 nut 216465</p> <p>Through-bolt ver. 2 ong h-head screw 1x M8x120 4.8 h-head screw 2063165 2x M8 nut 216465</p> <p>Eyebolt combo 1x eyebolt and lock</p> <p>Kit MW-EB M8 L 1.5/1m 2280019 Kit MW-EB M8 L 1.5/2m 2280040 Kit MW-EB M8 L 1.5/3m 2280041 Kit MW-EB M8 L 1.5/5m 2280042 Kit MW-EB M8 L 1.5/10m 2280043</p>		
	<p>2b Through bolted V-hanger 2.0 wire</p> <p>V-Hanger 1x MF-TSH M8 V-hanger 229006 1x M8 nut 216465</p> <p>Through-bolt version 1-t-rod 1x AM8x1000 fixed t-rod 339793 4x M8 nut 216465</p> <p>Through-bolt ver. 2-long h-head screw 1x M8x120 4.8 hex. head sc. 2063165 2x M8 nut 216465</p> <p>Eyebolt combo 1x eyebolt and lock</p> <p>Kit MW-EB M8 L 2.0/1m 2280044 Kit MW-EB M8 L 2.0/2m 2280045 Kit MW-EB M8 L 2.0/3m 2280046 Kit MW-EB M8 L 2.0/5m 2280047 Kit MW-EB M8 L 2.0/10m 2280048</p>		

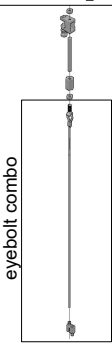
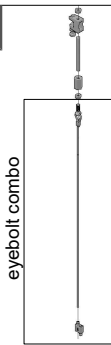
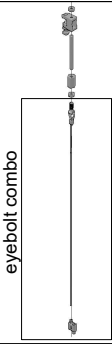
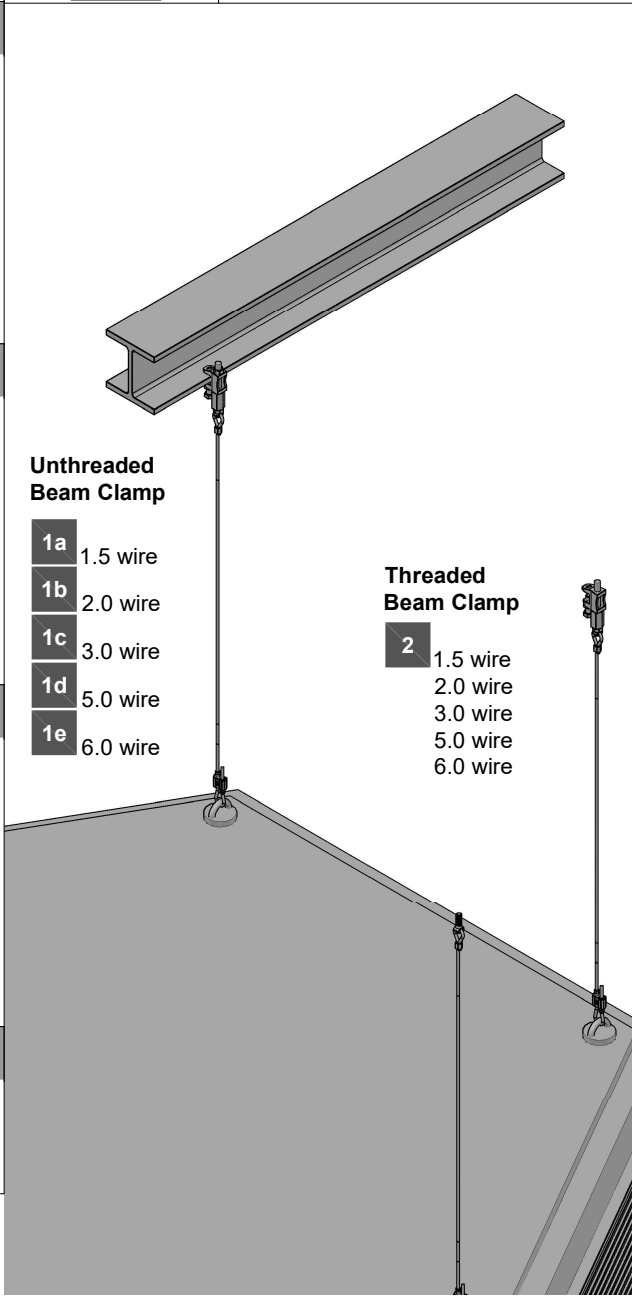
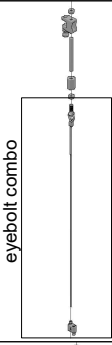
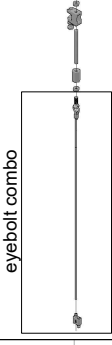
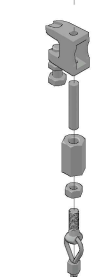
Application description	Application	Product lines	Base material
Wire system - Ventilation Unit Fixed On Metal Deck		4 Wire system	Metal Deck
General comments <ul style="list-style-type: none"> Loading must always be compared with the capacity of the metal deck and all connected parts. The deck hook must hang vertically from the deck. Only one wire may be suspended on each deck hook. 		V-Hangers	

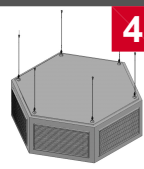
Ventilation Unit Fixed On Metal Deck - V-hanger with Integrated Nut:

<p>1a</p>	<p>1a Through bolted V-Hanger 1.5 wire</p> <p>V-Hanger</p> <p>1x MVA-MS M8 V-hanger 386558 1x M8 nut 2184504</p> <p>Through-bolt version 1 t-rod</p> <p>1x AM8x1000 fixed t-rod 339793 4x M8 nut 2184504</p> <p>Through-bolt ver. 2 long h-head screw</p> <p>1x M8x120 4.8 h-head screw 2063165 2x M8 nut 2184504</p> <p>Eyebolt combo</p> <p>1x eyebolt and lock Kit MW-EB M8 L 1.5/1m 2280019 Kit MW-EB M8 L 1.5/2m 2280040 Kit MW-EB M8 L 1.5/3m 2280041 Kit MW-EB M8 L 1.5/5m 2280042 Kit MW-EB M8 L 1.5/10m 2280043</p>	<p>1d</p>	<p>1d Through bolted V-Hanger 5.0 wire</p> <p>V-Hanger</p> <p>1x MVA-MS M10 V-hanger 386559 1x M10 nut 2184505</p> <p>Through-bolt version 1-t-rod</p> <p>1x AM8x1000 fixed t-rod 339793 4x M8 nut 2184504</p> <p>Through-bolt ver. 2-long h-head screw</p> <p>1x M8x120 4.8 hex. head sc. 2063165 2x M8 nut 2184504</p> <p>Eyebolt combo</p> <p>1x eyebolt and lock Kit MW-EB M10 L 5.0/1m 2280054 Kit MW-EB M10 L 5.0/2m 2280055 Kit MW-EB M10 L 5.0/3m 2280056 Kit MW-EB M10 L 5.0/5m 2280057 Kit MW-EB M10 L 5.0/10m 2280058</p>
<p>1b</p>	<p>1b Through bolted V-Hanger 2.0 wire</p> <p>V-Hanger</p> <p>1x MVA-MS M8 V-hanger 386558 1x M8 nut 2184504</p> <p>Through-bolt version 1-t-rod</p> <p>1x AM8x1000 fixed t-rod 339793 4x M8 nut 2184504</p> <p>Through-bolt ver. 2-long h-head screw</p> <p>1x M8x120 4.8 h-head screw 2063165 2x M8 nut 2184504</p> <p>Eyebolt combo</p> <p>1x eyebolt and lock Kit MW-EB M8 L 2.0/1m 2280044 Kit MW-EB M8 L 2.0/2m 2280045 Kit MW-EB M8 L 2.0/3m 2280046 Kit MW-EB M8 L 2.0/5m 2280047 Kit MW-EB M8 L 2.0/10m 2280048</p>	<p>Through bolted V-Hanger</p> <p>1a 1.5 wire 1b 2.0 wire 1c 3.0 wire 1d 5.0 wire</p> <p>V-Hanger with self-tapping screws</p> <p>2 1.5 wire 2 2.0 wire 2 3.0 wire 2 5.0 wire</p>	
<p>1c</p>	<p>1c Through bolted V-Hanger 3.0 wire</p> <p>V-Hanger</p> <p>1x MVA-MS M8 V-hanger 386558 1x M8 nut 2184504</p> <p>Through-bolt version 1-t-rod</p> <p>1x AM8x1000 fixed t-rod 339793 4x M8 nut 2184504</p> <p>Through-bolt ver. 2-long h-head screw</p> <p>1x M8x120 4.8 hex. head sc. 2063165 2x M8 nut 2184504</p> <p>Eyebolt combo</p> <p>1x eyebolt and lock Kit MW-EB M8 L 3.0/1m 2280049 Kit MW-EB M8 L 3.0/2m 2280050 Kit MW-EB M8 L 3.0/3m 2280051 Kit MW-EB M8 L 3.0/5m 2280052 Kit MW-EB M8 L 3.0/10m 2280053</p>		
<p>2</p>	<p>2 V-Hanger With Self-Tapping Screws 1.5, 2.0, 3.0 and 5.0 wire</p> <p>V-Hanger</p> <p>1x MVA-MS M8 V-hanger 386558 MVA-MS M10 V-hanger 386559</p> <p>Self-tapping screws</p> <p>6x S-MS 01Z 4.0x13 S-screw 406471</p> <p>Securing nut</p> <p>1x M8 nut 2184504 M10 nut 2184505</p>		

Application description	Application	Product lines	Base material
Wire system - Ventilation Unit On Metal Deck	<p>4</p>	Wire system	Metal Deck
<p>General comments</p> <ul style="list-style-type: none"> Loading must always be compared with the capacity of the metal deck and all connected parts. Only for vertically suspended loads. Not suitable for bracing. 		V-Hangers	

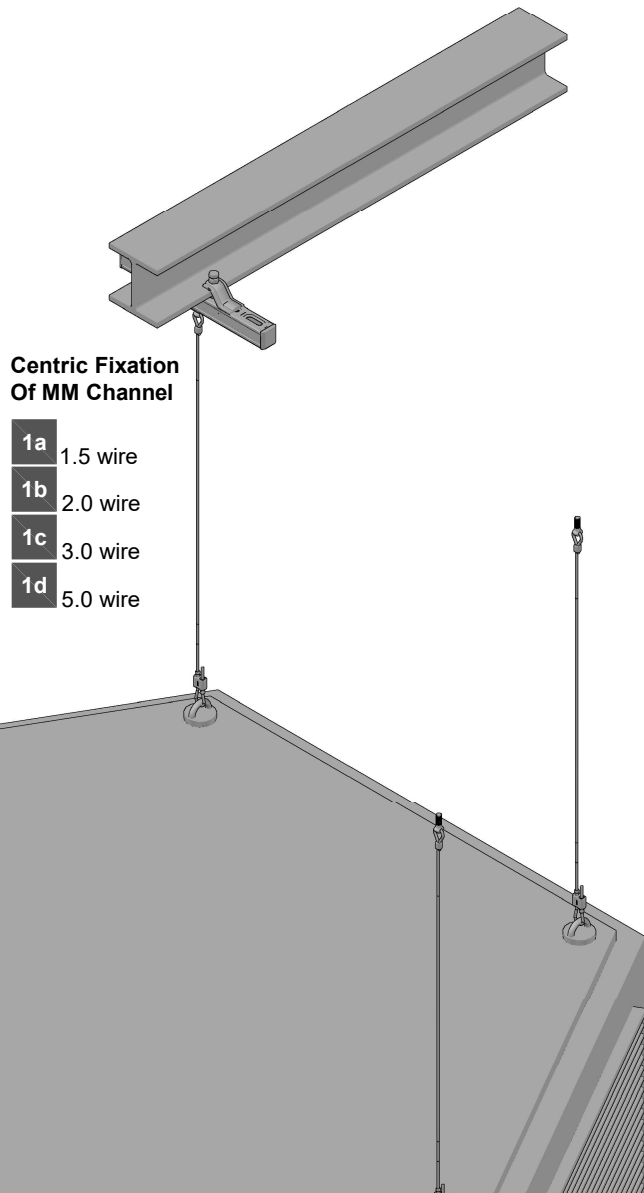
Ventilation Unit Fixed On Structural Steel Profiles - Beam Clamps:

<p>1a</p>  <p>eyebolt combo</p>	<p>1a Unthreaded Beam Clamp 1.5 wire</p> <p>Beam clamp 1x MAB-9 beam clamp 375956 2x M8 nut 2184504 1x M8x1000 4.8 threaded rod 2140926 1x M8x25 coupler 216703</p> <p>Eyebolt combo 1x eyebolt and lock Kit MW-EB M8 L 1.5/1m 2280019 Kit MW-EB M8 L 1.5/2m 2280040 Kit MW-EB M8 L 1.5/3m 2280041 Kit MW-EB M8 L 1.5/5m 2280042 Kit MW-EB M8 L 1.5/10m 2280043</p>	<p>1e</p>  <p>eyebolt combo</p> <p>1e Unthreaded Beam Clamp 6.0 wire</p> <p>V-Hanger 1x MAB-13 375958 2x M12 nut 2184554 1x M12x1000 4.8 threaded rod 339797 1x M12x40 coupler 216705</p> <p>Eyebolt combo 1x eyebolt and lock Kit MW-EB M12 L 6.0/3m 2280059 Kit MW-EB M12 L 6.0/5m 2280060 Kit MW-EB M12 L 6.0/10m 2280061</p>
<p>1b</p>  <p>eyebolt combo</p>	<p>1b Unthreaded Beam Clamp 2.0 wire</p> <p>Beam clamp 1x MAB-9 beam clamp 375956 2x M8 nut 2184504 1x M8x1000 4.8 threaded rod 2140926 1x M8x25 coupler 216703</p> <p>Eyebolt combo 1x eyebolt and lock Kit MW-EB M8 L 2.0/1m 2280044 Kit MW-EB M8 L 2.0/2m 2280045 Kit MW-EB M8 L 2.0/3m 2280046 Kit MW-EB M8 L 2.0/5m 2280047 Kit MW-EB M8 L 2.0/10m 2280048</p>	 <p>Unthreaded Beam Clamp</p> <p>1a 1.5 wire 1b 2.0 wire 1c 3.0 wire 1d 5.0 wire 1e 6.0 wire</p> <p>Threaded Beam Clamp</p> <p>2 1.5 wire 2.0 wire 3.0 wire 5.0 wire 6.0 wire</p>
<p>1c</p>  <p>eyebolt combo</p>	<p>1c Unthreaded Beam Clamp 3.0 wire</p> <p>Beam clamp 1x MAB-9 beam clamp 375956 2x M8 nut 2184504 1x M8x1000 4.8 threaded rod 2140926 1x M8x25 coupler 216703</p> <p>Eyebolt combo 1x eyebolt and lock Kit MW-EB M8 L 3.0/1m 2280049 Kit MW-EB M8 L 3.0/2m 2280050 Kit MW-EB M8 L 3.0/3m 2280051 Kit MW-EB M8 L 3.0/5m 2280052 Kit MW-EB M8 L 3.0/10m 2280053</p>	
<p>1d</p>  <p>eyebolt combo</p>	<p>1d Unthreaded Beam Clamp 5.0 wire</p> <p>V-Hanger 1x MAB-11 375957 2x M10 nut 2184505 1x M10x1000 4.8 threaded rod 339795 1x M10x30 coupler 216704</p> <p>Eyebolt combo 1x eyebolt and lock Kit MW-EB M10 L 5.0/1m 2280054 Kit MW-EB M10 L 5.0/2m 2280055 Kit MW-EB M10 L 5.0/3m 2280056 Kit MW-EB M10 L 5.0/5m 2280057 Kit MW-EB M10 L 5.0/10m 2280058</p>	
<p>2</p> 	<p>2 Threaded Beam Clamp</p> <p>Threaded Beam Clamp 1x MAB-M8 2006878 MAB-M10 2006879 MAB-M12 2007210</p>	

Application description	Application	Product lines	Base material
Wire system - Ventilation Unit Fixed On Structural Steel-Beam Clamps	 <p>4</p>	Wire system	Structural steel
<p>General comments</p> <ul style="list-style-type: none"> Loading must always be compared with the capacity of the structural steel and all connected parts. Only for vertically suspended loads. Not suitable for bracing. 		Beam Clamps	

Ventilation Unit Fixed On Structural Steel Profiles - MM Channel:

<p>1a</p> <p>eyebolt combo</p>	<p>1a Centric Fixation Of MM Channel 1.5 wire</p> <p>2x MM-T-16-36 beam clamps 418763 1x MM-C-30 2mm channel 418749 1x MM-S M8 saddle nut 418760 1x M8 nut 2184504</p> <p>Eyebolt combo 1x eyebolt and lock Kit MW-EB M8 L 1.5/1m 2280019 Kit MW-EB M8 L 1.5/2m 2280040 Kit MW-EB M8 L 1.5/3m 2280041 Kit MW-EB M8 L 1.5/5m 2280042 Kit MW-EB M8 L 1.5/10m 2280043</p>
<p>1b</p> <p>eyebolt combo</p>	<p>1b Centric Fixation Of MM Channel 2.0 wire</p> <p>2x MM-T-16-36 beam clamps 418763 1x MM-C-30 2mm channel 418749 1x MM-S M8 saddle nut 418760 1x M8 nut 2184504</p> <p>Eyebolt combo 1x eyebolt and lock Kit MW-EB M8 L 2.0/1m 2280044 Kit MW-EB M8 L 2.0/2m 2280045 Kit MW-EB M8 L 2.0/3m 2280046 Kit MW-EB M8 L 2.0/5m 2280047 Kit MW-EB M8 L 2.0/10m 2280048</p>
<p>1c</p> <p>eyebolt combo</p>	<p>1c Centric Fixation Of MM Channel 3.0 wire</p> <p>2x MM-T-16-36 beam clamps 418763 1x MM-C-30 2mm channel 418749 1x MM-S M8 saddle nut 418760 1x M8 nut 216465</p> <p>Eyebolt combo 1x eyebolt and lock Kit MW-EB M8 L 3.0/1m 2280049 Kit MW-EB M8 L 3.0/2m 2280050 Kit MW-EB M8 L 3.0/3m 2280051 Kit MW-EB M8 L 3.0/5m 2280052 Kit MW-EB M8 L 3.0/10m 2280053</p>
<p>1d</p> <p>eyebolt combo</p>	<p>1d Centric Fixation Of MM Channel 5.0 wire</p> <p>2x MM-T-16-36 beam clamps 418763 1x MM-C-30 2mm channel 418749 1x MM-S M10 saddle nut 418761 1x M10 nut 2184505</p> <p>Eyebolt combo 1x eyebolt and lock Kit MW-EB M10 L 5.0/1m 2280054 Kit MW-EB M10 L 5.0/2m 2280055 Kit MW-EB M10 L 5.0/3m 2280056 Kit MW-EB M10 L 5.0/5m 2280057 Kit MW-EB M10 L 5.0/10m 2280058</p>



Application description	Application	Product lines	Base material
Wire system - Ventilation Unit Fixed On Structural Steel - MM Channel		Wire system	Structural steel
General comments		Beam Clamps	
<ul style="list-style-type: none"> Loading must always be compared with the capacity of the steel beam and all connected parts. Only for vertically suspended loads. Not suitable for bracing. 		MM System	

Hilti strongly advises customers to verify the respective product application for the intended use by consulting a structural engineer and making the necessary calculations to ensure compliance with the applicable norms and standards. Failure to consult and heed the advice of a structural engineer will free Hilti from any liability. It is essential that the product is used strictly in accordance with the applicable Hilti instructions for use, within the application limits specified in the Hilti technical data sheets, technical specifications and supporting product literature, and that the relevant application limits are not exceeded at any time. All rights reserved by Hilti Corporation. Duplication, utilization and/or publication of drawings contained in this manual are not permitted unless expressly agreed by Hilti Corporation.

Ventilation Unit Fixed On Structural Steel Profiles - MQ Channel:

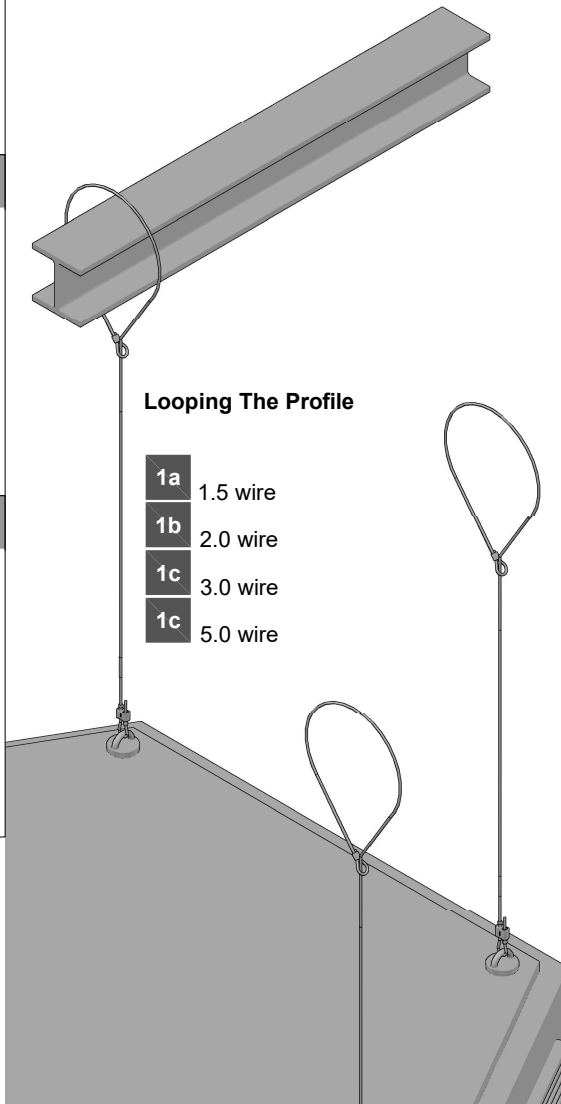
<p>1a</p>	<p>1a Centric Fixation Of MQ Channel 1.5 wire</p> <p>2x MQT-U beam clamp 2115454 1x MQ-41 3m channel 369591 1x MQA-S-M8 saddle nut 2141906 1x M8 nut 2184504</p> <p>Eyebolt combo 1x eyebolt and lock Kit MW-EB M8 L 1.5/1m 2280019 Kit MW-EB M8 L 1.5/2m 2280040 Kit MW-EB M8 L 1.5/3m 2280041 Kit MW-EB M8 L 1.5/5m 2280042 Kit MW-EB M8 L 1.5/10m 2280043</p>	<p>1e</p>	<p>1e Centric Fixation Of MQ Channel 6.0 wire</p> <p>22x MQT-U beam clamp 2115454 1x MQ-41 3m channel 369591 1x MQA-M12-B saddle nut 2199453 1x M12 nut 2184554</p> <p>Eyebolt combo 1x eyebolt and lock Kit MW-EB M12 L 6.0/3m 2280059 Kit MW-EB M12 L 6.0/5m 2280060 Kit MW-EB M12 L 6.0/10m 2280061</p>
<p>1b</p>	<p>1b Centric Fixation Of MQ Channel 2.0 wire</p> <p>2x MQT-U beam clamp 2115454 1x MQ-41 3m channel 369591 1x MQA-S-M8 saddle nut 2141906 1x M8 nut 2184504</p> <p>Eyebolt combo 1x eyebolt and lock Kit MW-EB M8 L 2.0/1m 2280044 Kit MW-EB M8 L 2.0/2m 2280045 Kit MW-EB M8 L 2.0/3m 2280046 Kit MW-EB M8 L 2.0/5m 2280047 Kit MW-EB M8 L 2.0/10m 2280048</p>	<p>Centric Fixation Of MQ Channel</p> <p>1a 1.5 wire 1b 2.0 wire 1c 3.0 wire 1d 5.0 wire 1e 6.0 wire</p> <p>2 Alternative Beam Clamp MQT</p> <p>1.5 wire 2.0 wire 3.0 wire 5.0 wire 6.0 wire</p>	
<p>1c</p>	<p>1c Centric Fixation Of MQ Channel 3.0 wire</p> <p>2x MQT-U beam clamp 2115454 1x MQ-41 3m channel 369591 1x MQA-S-M8 saddle nut 2141906 1x M8 nut 2184504</p> <p>Eyebolt combo 1x eyebolt and lock Kit MW-EB M8 L 3.0/1m 2280049 Kit MW-EB M8 L 3.0/2m 2280050 Kit MW-EB M8 L 3.0/3m 2280051 Kit MW-EB M8 L 3.0/5m 2280052 Kit MW-EB M8 L 3.0/10m 2280053</p>		
<p>1d</p>	<p>1d Centric Fixation Of MQ Channel 5.0 wire</p> <p>2x MQT-U beam clamp 2115454 1x MQ-41 3m channel 369591 1x MQA-S-M10 saddle nut 2141907 1x M10 nut 2184505</p> <p>Eyebolt combo 1x eyebolt and lock Kit MW-EB M10 L 5.0/1m 2280054 Kit MW-EB M10 L 5.0/2m 2280055 Kit MW-EB M10 L 5.0/3m 2280056 Kit MW-EB M10 L 5.0/5m 2280057 Kit MW-EB M10 L 5.0/10m 2280058</p>		
<p>2</p>	<p>4 Alternative Beam Clamp MQT</p> <p>2x MQT-21-41 beam clamp 369675 1x MQ-41 3m ...m channel 369591</p>		

Application description	Application	Product lines	Base material
Wire system - Ventilation Unit Fixed On Structural Steel - MQ Channel	<p>4</p>	Wire system	Structural steel
General comments		Beam Clamps	
<ul style="list-style-type: none"> Loading must always be compared with the capacity of the steel beam and all connected parts. Only for vertically suspended loads. Not suitable for bracing. 		MQ Channel	

Hilti strongly advises customers to verify the respective product application for the intended use by consulting a structural engineer and making the necessary calculations to ensure compliance with the applicable norms and standards. Failure to consult and heed the advice of a structural engineer will free Hilti from any liability. It is essential that the product is used strictly in accordance with the applicable Hilti instructions for use, within the application limits specified in the Hilti technical data sheets, technical specifications and supporting product literature, and that the relevant application limits are not exceeded at any time. All rights reserved by Hilti Corporation. Duplication, utilization and/or publication of drawings contained in this manual are not permitted unless expressly agreed by Hilti Corporation.

Ventilation Unit Fixed On Structural Steel Profiles - Looped:

<p>1a</p> <p>loop combo</p>	<p>1a Looping The Profile 1.5 wire</p> <p>Loop combo 1x loop and lock</p> <table border="0"> <tr><td>Kit MW-LP L 1.5/1m</td><td>2280072</td></tr> <tr><td>Kit MW-LP L 1.5/2m</td><td>2280073</td></tr> <tr><td>Kit MW-LP L 1.5/3m</td><td>2280074</td></tr> <tr><td>Kit MW-LP L 1.5/5m</td><td>2280075</td></tr> <tr><td>Kit MW-LP L 1.5/10m</td><td>2280076</td></tr> </table>	Kit MW-LP L 1.5/1m	2280072	Kit MW-LP L 1.5/2m	2280073	Kit MW-LP L 1.5/3m	2280074	Kit MW-LP L 1.5/5m	2280075	Kit MW-LP L 1.5/10m	2280076
Kit MW-LP L 1.5/1m	2280072										
Kit MW-LP L 1.5/2m	2280073										
Kit MW-LP L 1.5/3m	2280074										
Kit MW-LP L 1.5/5m	2280075										
Kit MW-LP L 1.5/10m	2280076										
<p>1b</p> <p>loop combo</p>	<p>1b Looping The Profile 2.0 wire</p> <p>Loop combo 1x loop and lock</p> <table border="0"> <tr><td>Kit MW-LP L 2.0/1m</td><td>2280077</td></tr> <tr><td>Kit MW-LP L 2.0/2m</td><td>2280078</td></tr> <tr><td>Kit MW-LP L 2.0/3m</td><td>2280079</td></tr> <tr><td>Kit MW-LP L 2.0/5m</td><td>2280080</td></tr> <tr><td>Kit MW-LP L 2.0/10m</td><td>2280081</td></tr> </table>	Kit MW-LP L 2.0/1m	2280077	Kit MW-LP L 2.0/2m	2280078	Kit MW-LP L 2.0/3m	2280079	Kit MW-LP L 2.0/5m	2280080	Kit MW-LP L 2.0/10m	2280081
Kit MW-LP L 2.0/1m	2280077										
Kit MW-LP L 2.0/2m	2280078										
Kit MW-LP L 2.0/3m	2280079										
Kit MW-LP L 2.0/5m	2280080										
Kit MW-LP L 2.0/10m	2280081										
<p>1c</p> <p>loop combo</p>	<p>1c Looping The Profile 3.0 wire</p> <p>Loop combo 1x loop and lock</p> <table border="0"> <tr><td>Kit MW-LP L 3.0/1m</td><td>2280082</td></tr> <tr><td>Kit MW-LP L 3.0/2m</td><td>2280083</td></tr> <tr><td>Kit MW-LP L 3.0/3m</td><td>2280084</td></tr> <tr><td>Kit MW-LP L 3.0/5m</td><td>2280085</td></tr> <tr><td>Kit MW-LP L 3.0/10m</td><td>2280086</td></tr> </table>	Kit MW-LP L 3.0/1m	2280082	Kit MW-LP L 3.0/2m	2280083	Kit MW-LP L 3.0/3m	2280084	Kit MW-LP L 3.0/5m	2280085	Kit MW-LP L 3.0/10m	2280086
Kit MW-LP L 3.0/1m	2280082										
Kit MW-LP L 3.0/2m	2280083										
Kit MW-LP L 3.0/3m	2280084										
Kit MW-LP L 3.0/5m	2280085										
Kit MW-LP L 3.0/10m	2280086										
<p>1d</p> <p>loop combo</p>	<p>1d Looping The Profile 5.0 wire</p> <p>Loop combo 1x loop and lock</p> <table border="0"> <tr><td>Kit MW-LP L 5.0/1m</td><td>2287096</td></tr> <tr><td>Kit MW-LP L 5.0/2m</td><td>2287097</td></tr> <tr><td>Kit MW-LP L 5.0/3m</td><td>2287098</td></tr> <tr><td>Kit MW-LP L 5.0/5m</td><td>2287099</td></tr> <tr><td>Kit MW-LP L 5.0/10m</td><td>2287580</td></tr> </table>	Kit MW-LP L 5.0/1m	2287096	Kit MW-LP L 5.0/2m	2287097	Kit MW-LP L 5.0/3m	2287098	Kit MW-LP L 5.0/5m	2287099	Kit MW-LP L 5.0/10m	2287580
Kit MW-LP L 5.0/1m	2287096										
Kit MW-LP L 5.0/2m	2287097										
Kit MW-LP L 5.0/3m	2287098										
Kit MW-LP L 5.0/5m	2287099										
Kit MW-LP L 5.0/10m	2287580										



Application description	Application	Product lines	Base material
Wire system - Ventilation Unit Fixed On Structural Steel - Looped		Wire system	Structural steel
<p>General comments</p> <ul style="list-style-type: none"> Loading must always be compared with the capacity of the structural steel and all connected parts. Sharp edges must be avoided to prevent damage to the wire. 			

Hilti strongly advises customers to verify the respective product application for the intended use by consulting a structural engineer and making the necessary calculations to ensure compliance with the applicable norms and standards. Failure to consult and heed the advice of a structural engineer will free Hilti from any liability. It is essential that the product is used strictly in accordance with the applicable Hilti instructions for use, within the application limits specified in the Hilti technical data sheets, technical specifications and supporting product literature, and that the relevant application limits are not exceeded at any time. All rights reserved by Hilti Corporation. Duplication, utilization and/or publication of drawings contained in this manual are not permitted unless expressly agreed by Hilti Corporation.

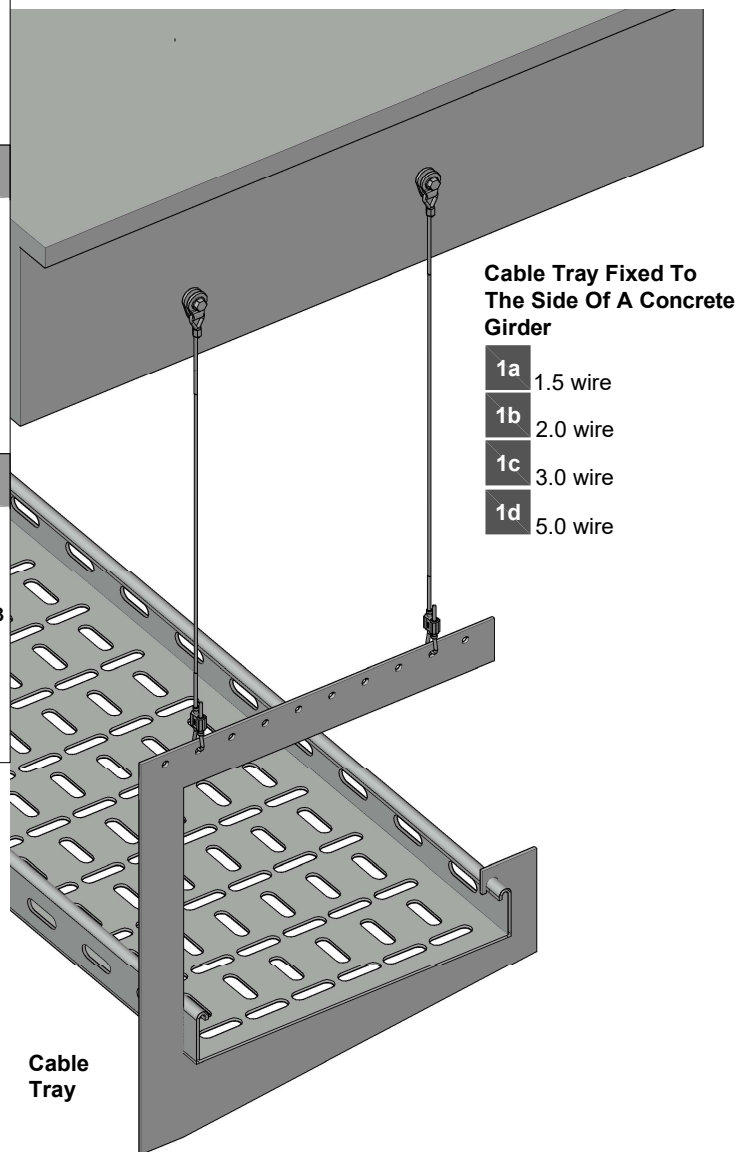
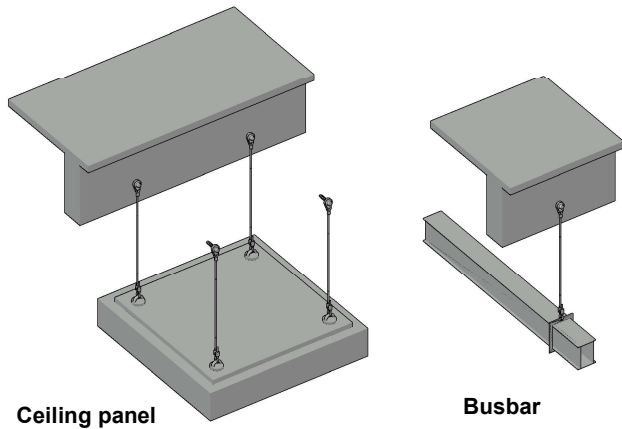
Electrical - Cable Tray, Ceiling Panel and Busbar Fixed On a Concrete Slab:

<p>1a</p> <p>eyebolt combo</p>	<p>1a Screw anchor, M8 support 1.5 wire</p> <p>1x screw anchor HUS-I 6x35 M8/M10 anchor 376959 HUS-I 6x55 M8/M10 anchor 423180</p> <p>1x M8 nut 2184504</p> <p>Eyebolt combo</p> <p>1x eyebolt and lock Kit MW-EB M8 L 1.5/1m 2280019 Kit MW-EB M8 L 1.5/2m 2280040 Kit MW-EB M8 L 1.5/3m 2280041 Kit MW-EB M8 L 1.5/5m 2280042 Kit MW-EB M8 L 1.5/10m 2280043</p>	<p>2a</p> <p>eyebolt combo</p>	<p>2a-c Flush anchor, M8 support 1.5, 2.0, 3.0 wire</p> <p>Anchor</p> <p>1x flush anchor HKD M8x25 anchor 376957 HKD M8x30 anchor 376959 HKD M8x40 anchor 376961</p> <p>1x M8 nut 2184504</p> <p>Eyebolt combo</p> <p>1x the same combos as</p> <p>2a → 1a 2b → 1b 2c → 1c</p>
<p>1b</p> <p>eyebolt combo</p>	<p>1b Screw anchor, M8 support 2.0 wire</p> <p>1x screw anchor HUS-I 6x35 M8/M10 anchor 376959 HUS-I 6x55 M8/M10 anchor 423180</p> <p>1x M8 nut 2184504</p> <p>Eyebolt combo</p> <p>1x eyebolt and lock Kit MW-EB M8 L 2.0/1m 2280044 Kit MW-EB M8 L 2.0/2m 2280045 Kit MW-EB M8 L 2.0/3m 2280046 Kit MW-EB M8 L 2.0/5m 2280047 Kit MW-EB M8 L 2.0/10m 2280048</p>	<p>2d</p> <p>eyebolt combo</p>	<p>2d Flush anchor, M10 support 5.0 wire</p> <p>Anchor</p> <p>1x flush anchor HKD M10x25 anchor 2037453 HKD M10x30 anchor 376965 HKD M10x40 anchor 376967</p> <p>1x M10 nut 2184505</p> <p>Eyebolt combo</p> <p>1x the same combos as</p> <p>2d → 1d</p>
<p>1c</p> <p>eyebolt combo</p>	<p>1c Screw anchor, M8 support 3.0 wire</p> <p>1x screw anchor HUS-I 6x35 M8/M10 anchor 376959 HUS-I 6x55 M8/M10 anchor 423180</p> <p>1x M8 nut 2184504</p> <p>Eyebolt combo</p> <p>1x eyebolt and lock Kit MW-EB M8 L 3.0/1m 2280049 Kit MW-EB M8 L 3.0/2m 2280050 Kit MW-EB M8 L 3.0/3m 2280051 Kit MW-EB M8 L 3.0/5m 2280052 Kit MW-EB M8 L 3.0/10m 2280053</p>	<div style="display: flex; justify-content: space-around;"> <div style="text-align: center;"> <p>Ceiling Panel</p> </div> <div style="text-align: center;"> <p>Busbar</p> </div> </div>	
<p>1d</p> <p>eyebolt combo</p>	<p>1d Screw anchor, M10 support 5.0 wire</p> <p>1x screw anchor HUS-I 6x35 M8/M10 anchor 376959 HUS-I 6x55 M8/M10 anchor 423180</p> <p>1x M10 nut 2184505</p> <p>Eyebolt combo</p> <p>1x eyebolt and lock Kit MW-EB M10 L 5.0/1m 2280054 Kit MW-EB M10 L 5.0/2m 2280055 Kit MW-EB M10 L 5.0/3m 2280056 Kit MW-EB M10 L 5.0/5m 2280057 Kit MW-EB M10 L 5.0/10m 2280058</p>	<div style="display: flex; justify-content: space-between;"> <div style="width: 45%;"> <p>Screw anchor</p> <p>1a 1.5 wire</p> <p>1b 2.0 wire</p> <p>1c 3.0 wire</p> <p>1d 5.0 wire</p> </div> <div style="width: 45%;"> <p>Flush anchor</p> <p>2a 1.5 wire</p> <p>2b 2.0 wire</p> <p>2c 3.0 wire</p> <p>2d 5.0 wire</p> <p>2e 6.0 wire</p> </div> </div>	
<p>2e</p> <p>eyebolt combo</p>	<p>2e Flush Anchor, M12 Support 6.0 wire</p> <p>1x flush anchor HKD M12x50 anchor 378544</p> <p>1x M12 nut 2184554</p> <p>Eyebolt combo</p> <p>1x eyebolt and lock Kit MW-EB M12 L 6.0/3m 2280059 Kit MW-EB M12 L 6.0/5m 2280060 Kit MW-EB M12 L 6.0/10m 2280061</p>		

Application description	Application	Product lines	Base material
Wire system - Electrical - Cable Tray, Ceiling Panel and Busbar On Concrete Slab	5	Wire system	Concrete
General comments		Anchors	
<ul style="list-style-type: none"> Loading must always be compared with the capacity of the anchor within the chosen base material and all connected parts. Only for vertically suspended loads. Eye-bolt not suitable for bracing. 			

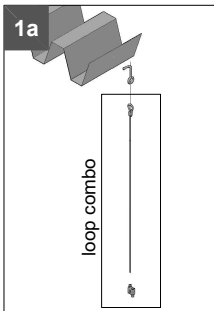
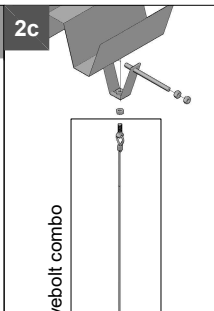
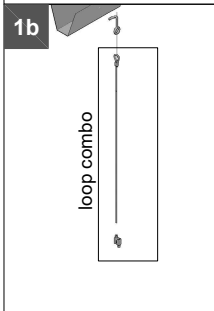
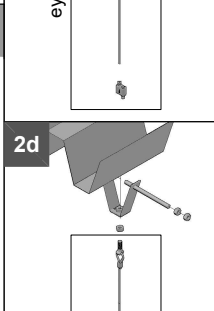
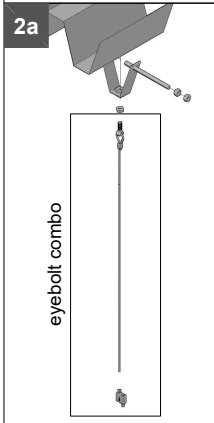
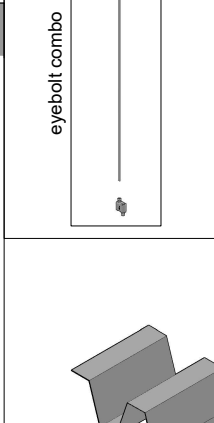
Electrical - Cable Tray, Ceiling Panel and Busbar Fixed On a Concrete Girder:

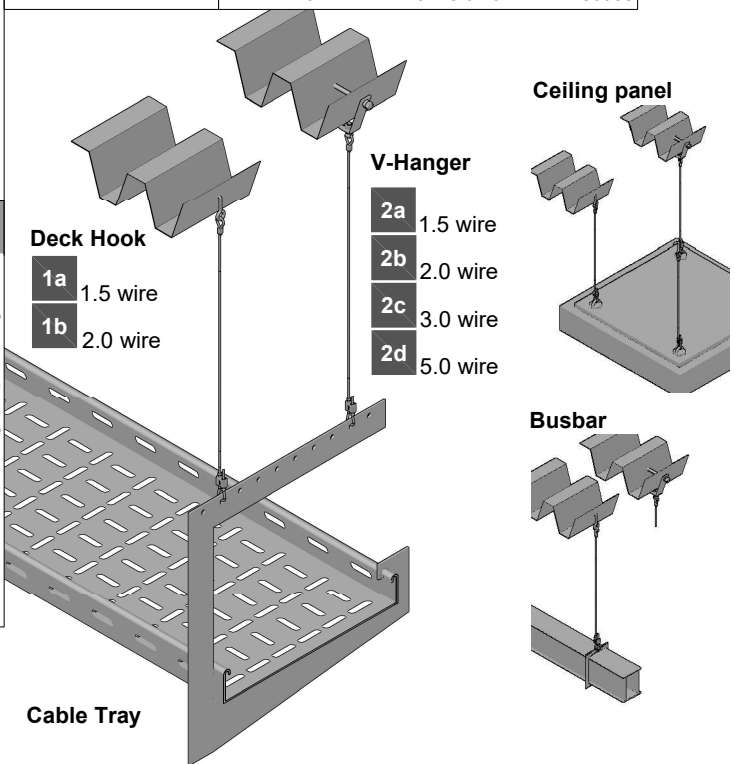
<p>1a</p> <p>loop combo</p>	<p>1a Clip Attachement 1.5 wire</p> <p>Anchor 1x HUS3-H 8x75 25/15/5 anchor 2079796 HST3 M10x90 30/10 anchor 2105712</p> <p>Clip 1x MW-C clip 2287563</p> <p>Loop combo 1x Kit MW-LP L 1.5/1m 2280072 Kit MW-LP L 1.5/2m 2280073 Kit MW-LP L 1.5/3m 2280074 Kit MW-LP L 1.5/5m 2280075 Kit MW-LP L 1.5/10m 2280076</p>
<p>1b</p> <p>loop combo</p>	<p>1b Clip Attachement 2.0 wire</p> <p>Anchor 1x HUS3-H 8x75 25/15/5 anchor 2079796 HST3 M10x90 30/10 anchor 2105712</p> <p>Clip 1x MW-C clip 2287563</p> <p>Loop combo 1x Kit MW-LP L 2.0/1m 2280077 Kit MW-LP L 2.0/2m 2280078 Kit MW-LP L 2.0/3m 2280079 Kit MW-LP L 2.0/5m 2280080 Kit MW-LP L 2.0/10m 2280081</p>
<p>1c</p> <p>loop combo</p>	<p>1c Clip Attachement 3.0 wire</p> <p>Anchor 1x HUS3-H 8x75 25/15/5 anchor 2079796 HST3 M10x90 30/10 anchor 2105712</p> <p>Clip 1x MW-C clip 2287563</p> <p>Loop combo 1x Kit MW-LP L 3.0/1m 2280082 Kit MW-LP L 3.0/2m 2280083 Kit MW-LP L 3.0/3m 2280084 Kit MW-LP L 3.0/5m 2280085 Kit MW-LP L 3.0/10m 2280086</p>
<p>1d</p> <p>loop combo</p>	<p>1d Clip Attachement 5.0 wire</p> <p>Anchor 1x HUS3-H 8x75 25/15/5 anchor 2079796 HST3 M10x90 30/10 anchor 2105712</p> <p>Clip 1x MW-C clip 2287563</p> <p>Loop combo 1x Kit MW-LP L 5.0/1m 2287096 Kit MW-LP L 5.0/2m 2287097 Kit MW-LP L 5.0/3m 2287098 Kit MW-LP L 5.0/5m 2287099 Kit MW-LP L 5.0/10m 2287580</p>

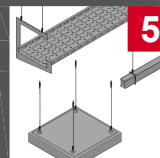


Application description	Application	Product lines	Base material
Wire system - Electrical - Cable Tray, Ceiling Panel and Busbar On Concr. Girder	<p>5</p>	Wire system	Concrete
<p>General comments</p> <ul style="list-style-type: none"> Loading must always be compared with the capacity of all connected parts and the anchor within the chosen base material. This capacity is affected by the angle of loading from the vertical and the prying factor. Only one wire may be suspended on each clip. 		Anchors	

Electrical - Cable Tray, Ceiling Panel and Busbar Fixed On Metal Deck:

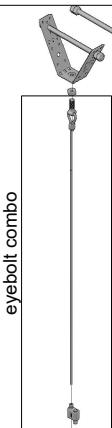
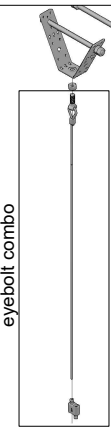
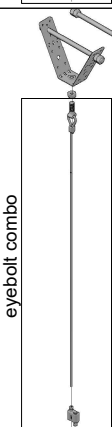
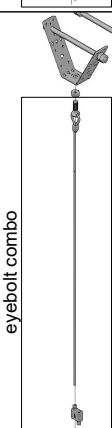
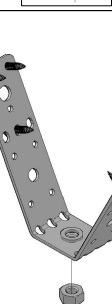
	<p>1a Deck hook 1.5 wire</p> <p>Deck hook 1x MW-DH deck hook 2277567</p> <p>Loop combo 1x loop and lock</p> <p>Kit MW-LP L 1.5/1m 2280072 Kit MW-LP L 1.5/2m 2280073 Kit MW-LP L 1.5/3m 2280074 Kit MW-LP L 1.5/5m 2280075 Kit MW-LP L 1.5/10m 2280076</p>		<p>2c Through bolted V-hanger 3.0 wire</p> <p>V-Hanger 1x MF-TSH M8 V-hanger 229006 1x M8 nut 216465</p> <p>Through-bolt version 1-t-rod 1x AM8x1000 fixed t-rod 339793 4x M8 nut 216465</p> <p>Through-bolt ver. 2-long h-head screw 1x M8x120 4.8 hex. head sc. 2063165 2x M8 nut 216465</p> <p>Eyebolt combo 1x eyebolt and lock</p> <p>Kit MW-EB M8 L 3.0/1m 2280049 Kit MW-EB M8 L 3.0/2m 2280050 Kit MW-EB M8 L 3.0/3m 2280051 Kit MW-EB M8 L 3.0/5m 2280052 Kit MW-EB M8 L 3.0/10m 2280053</p>
	<p>1b Deck hook 2.0 wire</p> <p>Deck hook 1x MW-DH deck hook 2277567</p> <p>Loop combo 1x loop and lock</p> <p>Kit MW-LP L 2.0/1m 2280077 Kit MW-LP L 2.0/2m 2280078 Kit MW-LP L 2.0/3m 2280079 Kit MW-LP L 2.0/5m 2280080 Kit MW-LP L 2.0/10m 2280081</p>		<p>2d Through bolted V-hanger 5.0 wire</p> <p>V-Hanger 1x MF-TSH M10 V-hanger 229007 1x M10 nut 2184505</p> <p>Through-bolt version 1-t-rod 1x AM8x1000 fixed t-rod 339793 4x M8 nut 216465</p> <p>Through-bolt ver. 2-long h-head screw 1x M8x120 4.8 hex. head sc. 2063165 2x M8 nut 216465</p> <p>Eyebolt combo 1x eyebolt and lock</p> <p>Kit MW-EB M10 L 5.0/1m 2280054 Kit MW-EB M10 L 5.0/2m 2280055 Kit MW-EB M10 L 5.0/3m 2280056 Kit MW-EB M10 L 5.0/5m 2280057 Kit MW-EB M10 L 5.0/10m 2280058</p>
	<p>2a Through bolted V-hanger 1.5 wire</p> <p>AV-Hanger 1x MF-TSH M8 V-hanger 229006 1x M8 nut 216465</p> <p>Through-bolt version 1-t-rod 1x AM8x1000 fixed t-rod 339793 4x M8 nut 216465</p> <p>Through-bolt ver. 2-long h-head screw 1x M8x120 4.8 hex. head sc. 2063165 2x M8 nut 216465</p> <p>Eyebolt combo 1x eyebolt and lock</p> <p>Kit MW-EB M8 L 1.5/1m 2280019 Kit MW-EB M8 L 1.5/2m 2280040 Kit MW-EB M8 L 1.5/3m 2280041 Kit MW-EB M8 L 1.5/5m 2280042 Kit MW-EB M8 L 1.5/10m 2280043</p>		<p>2b Through bolted V-hanger 2.0 wire</p> <p>V-Hanger 1x MF-TSH M8 V-hanger 229006 1x M8 nut 216465</p> <p>Through-bolt version 1-t-rod 1x AM8x1000 fixed t-rod 339793 4x M8 nut 216465</p> <p>Through-bolt ver. 2-long h-head screw 1x M8x120 4.8 hex. head sc. 2063165 2x M8 nut 216465</p> <p>Eyebolt combo 1x eyebolt and lock</p> <p>Kit MW-EB M8 L 2.0/1m 2280044 Kit MW-EB M8 L 2.0/2m 2280045 Kit MW-EB M8 L 2.0/3m 2280046 Kit MW-EB M8 L 2.0/5m 2280047 Kit MW-EB M8 L 2.0/10m 2280048</p>

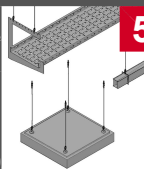


Application description	Application	Product lines	Base material
Wire system - Electrical - Cable Tray, Ceiling Panel and Busbar On Metal Deck	 5	Wire system V-Hangers	Metal Deck
General comments			
<ul style="list-style-type: none"> Loading must always be compared with the capacity of the metal deck and all connected parts. The deck hook must hang vertically from the deck. Only one wire may be suspended on each deck hook. 			

Hilti strongly advises customers to verify the respective product application for the intended use by consulting a structural engineer and making the necessary calculations to ensure compliance with the applicable norms and standards. Failure to consult and heed the advice of a structural engineer will free Hilti from any liability. It is essential that the product is used strictly in accordance with the applicable Hilti instructions for use, within the application limits specified in the Hilti technical data sheets, technical specifications and supporting product literature, and that the relevant application limits are not exceeded at any time. All rights reserved by Hilti Corporation. Duplication, utilization and/or publication of drawings contained in this manual are not permitted unless expressly agreed by Hilti Corporation.

Electrical - Cable Tray, Ceiling Panel and Busbar Fixed On Metal Deck - V-hanger with Integrated Nut:

 <p>1a</p>	<p>1a Through bolted V-Hanger 1.5 wire</p> <p>V-Hanger 1x MVA-MS M8 V-hanger 386558 1x M8 nut 2184504 Through-bolt version 1-t-rod 1x AM8x1000 fixed t-rod 339793 4x M8 nut 2184504 Through-bolt ver. 2-long h-head screw 1x M8x120 4.8 hex. head sc. 2063165 2x M8 nut 2184504 Eyebolt combo 1x eyebolt and lock Kit MW-EB M8 L 1.5/1m 2280019 Kit MW-EB M8 L 1.5/2m 2280040 Kit MW-EB M8 L 1.5/3m 2280041 Kit MW-EB M8 L 1.5/5m 2280042 Kit MW-EB M8 L 1.5/10m 2280043</p>	 <p>1d</p>	<p>1d Through bolted V-Hanger 5.0 wire</p> <p>V-Hanger 1x MVA-MS M10 V-hanger 386559 1x M10 nut 2184505 Through-bolt version 1-t-rod 1x AM8x1000 fixed t-rod 339793 4x M8 nut 2184504 Through-bolt ver. 2-long h-head screw 1x M8x120 4.8 hex. head sc. 2063165 2x M8 nut 2184504 Eyebolt combo 1x eyebolt and lock Kit MW-EB M10 L 5.0/1m 2280054 Kit MW-EB M10 L 5.0/2m 2280055 Kit MW-EB M10 L 5.0/3m 2280056 Kit MW-EB M10 L 5.0/5m 2280057 Kit MW-EB M10 L 5.0/10m 2280058</p>
 <p>1b</p>	<p>1b Through bolted V-Hanger 2.0 wire</p> <p>V-Hanger 1x MVA-MS M8 V-hanger 386558 1x M8 nut 2184504 Through-bolt version 1-t-rod 1x AM8x1000 fixed t-rod 339793 4x M8 nut 2184504 Through-bolt ver. 2-long h-head screw 1x M8x120 4.8 hex. head sc. 2063165 2x M8 nut 2184504 Eyebolt combo 1x eyebolt and lock Kit MW-EB M8 L 2.0/1m 2280044 Kit MW-EB M8 L 2.0/2m 2280045 Kit MW-EB M8 L 2.0/3m 2280046 Kit MW-EB M8 L 2.0/5m 2280047 Kit MW-EB M8 L 2.0/10m 2280048</p>		
 <p>1c</p>	<p>1c Through bolted V-Hanger 3.0 wire</p> <p>V-Hanger 1x MVA-MS M8 V-hanger 386558 1x M8 nut 2184504 Through-bolt version 1-t-rod 1x AM8x1000 fixed t-rod 339793 4x M8 nut 2184504 Through-bolt ver. 2-long h-head screw 1x M8x120 4.8 hex. head sc. 2063165 2x M8 nut 2184504 Eyebolt combo 1x eyebolt and lock Kit MW-EB M8 L 3.0/1m 2280049 Kit MW-EB M8 L 3.0/2m 2280050 Kit MW-EB M8 L 3.0/3m 2280051 Kit MW-EB M8 L 3.0/5m 2280052 Kit MW-EB M8 L 3.0/10m 2280053</p>		
 <p>2</p>	<p>2 V-Hanger With Self-Tapping Screws 1.5, 2.0, 3.0 and 5.0 wire</p> <p>V-Hanger 1x MVA-MS M8 V-hanger 386558 MVA-MS M10 V-hanger 386559 Self-tapping screws 6x S-MS 01Z 4.0x13 S-screw 406471 Securing nut 1x M8 nut 2184504 M10 nut 2184505</p>		

Application description	Application	Product lines	Base material
Wire system - Electrical - Cable Tray, Ceiling Panel and Busbar On Metal Deck	 5	Wire system	Metal Deck
General comments <ul style="list-style-type: none"> • Loading must always be compared with the capacity of the metal deck and all connected parts. • Only for vertically suspended loads. Not suitable for bracing. 		V-Hangers	

Electrical - Cable Tray, Ceiling Panel and Busbar Fixed On Structural Steel Profiles - Beam Clamps:

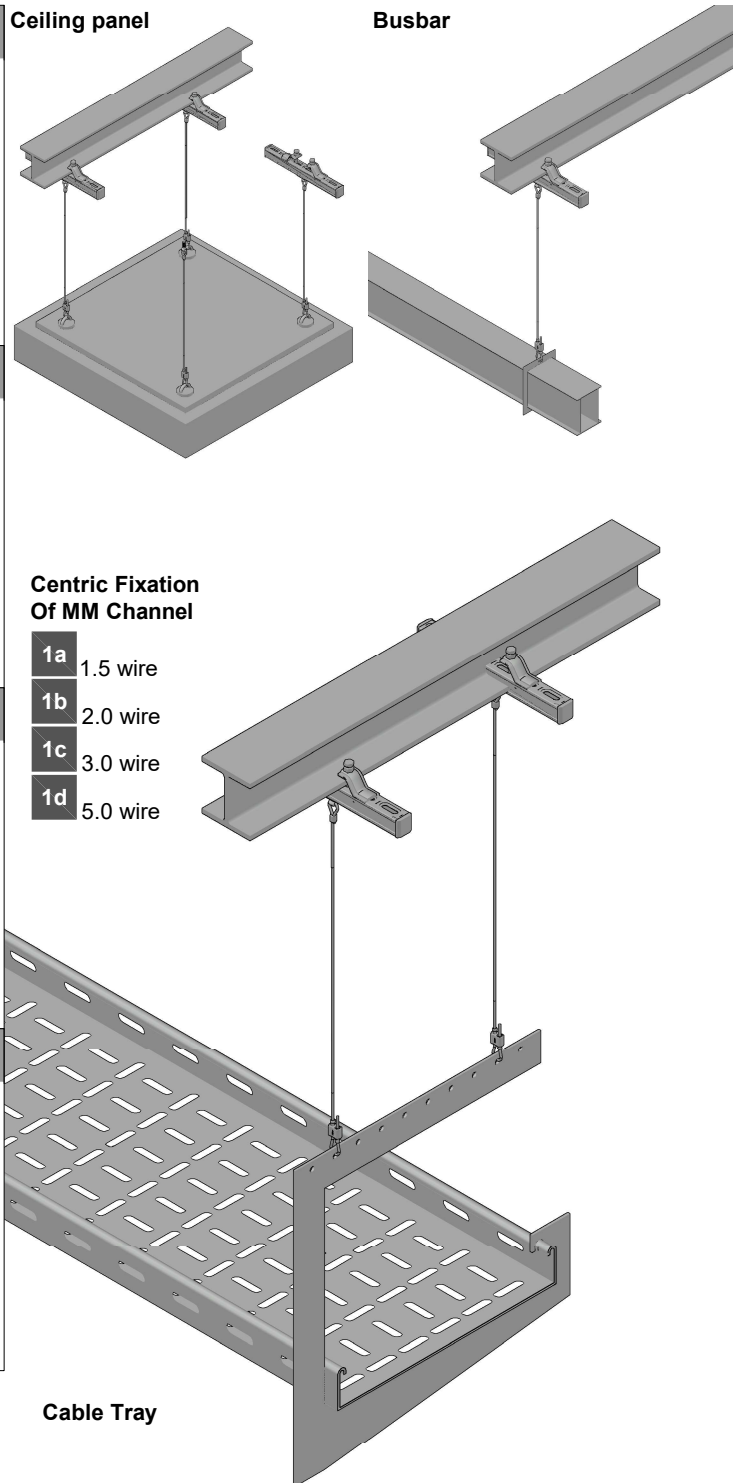
<p>1a</p>	<p>1a Unthreaded Beam Clamp 1.5 wire</p> <p>Beam clamp 1x MAB-9 beam clamp 375956 2x M8 nut 2184504 1x M8x1000 4.8 threaded rod 2140926 1x M8x25 coupler 216703</p> <p>Eyebolt combo 1x eyebolt and lock Kit MW-EB M8 L 1.5/1m 2280019 Kit MW-EB M8 L 1.5/2m 2280040 Kit MW-EB M8 L 1.5/3m 2280041 Kit MW-EB M8 L 1.5/5m 2280042 Kit MW-EB M8 L 1.5/10m 2280043</p>	<p>1e</p>	<p>1e Unthreaded Beam Clamp 6.0 wire</p> <p>V-Hanger 1x MAB-13 375958 2x M12 nut 2184554 1x M12x1000 4.8 threaded rod 339797 1x M12x40 coupler 216705</p> <p>Eyebolt combo 1x eyebolt and lock Kit MW-EB M12 L 6.0/3m 2280059 Kit MW-EB M12 L 6.0/5m 2280060 Kit MW-EB M12 L 6.0/10m 2280061</p>
<p>1b</p>	<p>1b Unthreaded Beam Clamp 2.0 wire</p> <p>Beam clamp 1x MAB-9 beam clamp 375956 2x M8 nut 2184504 1x M8x1000 4.8 threaded rod 2140926 1x M8x25 coupler 216703</p> <p>Eyebolt combo 1x eyebolt and lock Kit MW-EB M8 L 2.0/1m 2280044 Kit MW-EB M8 L 2.0/2m 2280045 Kit MW-EB M8 L 2.0/3m 2280046 Kit MW-EB M8 L 2.0/5m 2280047 Kit MW-EB M8 L 2.0/10m 2280048</p>	<p>Unthreaded Beam Clamp</p> <p>1a 1.5 wire 1b 2.0 wire 1c 3.0 wire 1d 5.0 wire 1e 6.0 wire</p> <p>Threaded Beam Clamp</p> <p>2 1.5 wire 2 2.0 wire 2 3.0 wire 2 5.0 wire 2 6.0 wire</p>	
<p>1c</p>	<p>1c Unthreaded Beam Clamp 3.0 wire</p> <p>VBeam clamp 1x MAB-9 beam clamp 375956 2x M8 nut 2184504 1x M8x1000 4.8 threaded rod 2140926 1x M8x25 coupler 216703</p> <p>Eyebolt combo 1x eyebolt and lock Kit MW-EB M8 L 3.0/1m 2280049 Kit MW-EB M8 L 3.0/2m 2280050 Kit MW-EB M8 L 3.0/3m 2280051 Kit MW-EB M8 L 3.0/5m 2280052 Kit MW-EB M8 L 3.0/10m 2280053</p>		
<p>1d</p>	<p>1d Unthreaded Beam Clamp 5.0 wire</p> <p>V-Hanger 1x MAB-11 375957 2x M10 nut 2184505 1x M10x1000 4.8 threaded rod 339795 1x M10x30 coupler 216704</p> <p>Eyebolt combo 1x eyebolt and lock Kit MW-EB M10 L 5.0/1m 2280054 Kit MW-EB M10 L 5.0/2m 2280055 Kit MW-EB M10 L 5.0/3m 2280056 Kit MW-EB M10 L 5.0/5m 2280057 Kit MW-EB M10 L 5.0/10m 2280058</p>		
<p>2</p>	<p>2 Threaded Beam Clamp</p> <p>Threaded Beam Clamp 1x MAB-M8 2006878 MAB-M10 2006879 MAB-M12 2007210</p>		

Application description	Application	Product lines	Base material
Wire system - Cable Tray, Ceiling Panel and Busbar Fixed On Steel-Beam Clamps		5 Wire system	Structural steel
<p>General comments</p> <ul style="list-style-type: none"> Loading must always be compared with the capacity of the beam clamp and structural steel and all connected parts. Only for vertically suspended loads. Not suitable for bracing. 		Beam Clamps	

Hilti strongly advises customers to verify the respective product application for the intended use by consulting a structural engineer and making the necessary calculations to ensure compliance with the applicable norms and standards. Failure to consult and heed the advice of a structural engineer will free Hilti from any liability. It is essential that the product is used strictly in accordance with the applicable Hilti instructions for use, within the application limits specified in the Hilti technical data sheets, technical specifications and supporting product literature, and that the relevant application limits are not exceeded at any time. All rights reserved by Hilti Corporation. Duplication, utilization and/or publication of drawings contained in this manual are not permitted unless expressly agreed by Hilti Corporation.

Electrical - Cable Tray, Ceiling Panel and Busbar Fixed On Structural Steel Profiles - MM Channel:

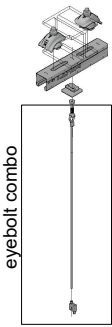
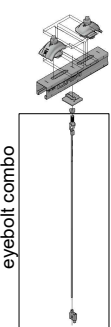
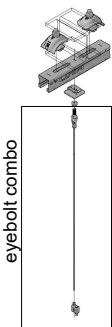
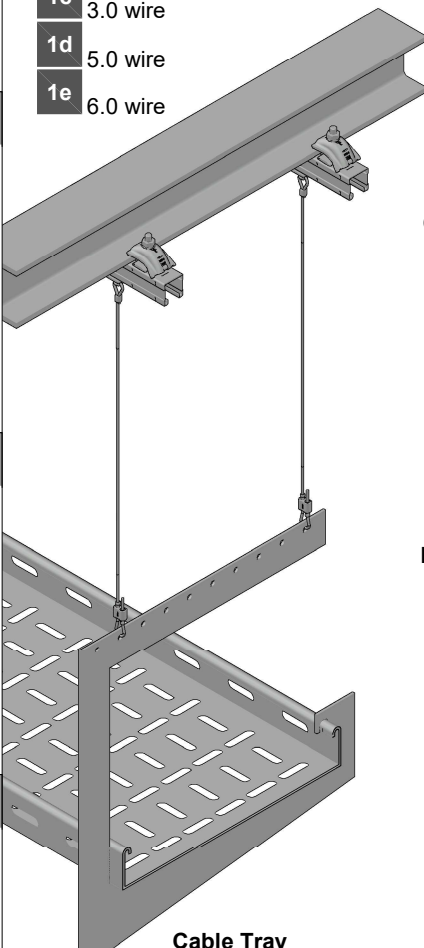
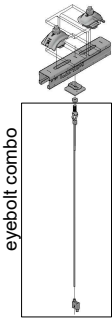
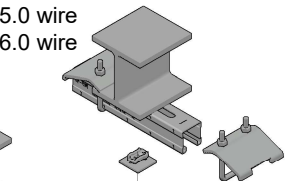
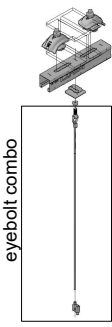
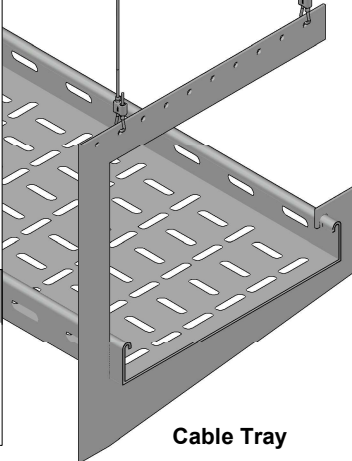
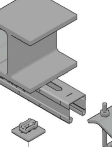
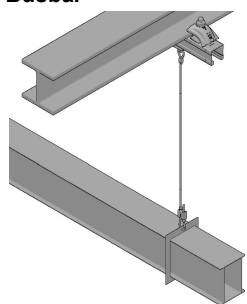
<p>1a</p> <p>eyebolt combo</p>	<p>1a Centric Fixation Of MM Channel 1.5 wire</p> <p>2x MM-T-16-36 beam clamps 418763 1x MM-C-30 2mm channel 418749 1x MM-S M8 saddle nut 418760 1x M8 nut 216465</p> <p>Eyebolt combo 1x eyebolt and lock Kit MW-EB M8 L 1.5/1m 2280019 Kit MW-EB M8 L 1.5/2m 2280040 Kit MW-EB M8 L 1.5/3m 2280041 Kit MW-EB M8 L 1.5/5m 2280042 Kit MW-EB M8 L 1.5/10m 2280043</p>
<p>1b</p> <p>eyebolt combo</p>	<p>1b Centric Fixation Of MM Channel 2.0 wire</p> <p>2x MM-T-16-36 beam clamps 418763 1x MM-C-30 2mm channel 418749 1x MM-S M8 saddle nut 418760 1x M8 nut 216465</p> <p>Eyebolt combo 1x eyebolt and lock Kit MW-EB M8 L 2.0/1m 2280044 Kit MW-EB M8 L 2.0/2m 2280045 Kit MW-EB M8 L 2.0/3m 2280046 Kit MW-EB M8 L 2.0/5m 2280047 Kit MW-EB M8 L 2.0/10m 2280048</p>
<p>1c</p> <p>eyebolt combo</p>	<p>1c Centric Fixation Of MM Channel 3.0 wire</p> <p>2x MM-T-16-36 beam clamps 418763 1x MM-C-30 2mm channel 418749 1x MM-S M8 saddle nut 418760 1x M8 nut 216465</p> <p>Eyebolt combo 1x eyebolt and lock Kit MW-EB M8 L 3.0/1m 2280049 Kit MW-EB M8 L 3.0/2m 2280050 Kit MW-EB M8 L 3.0/3m 2280051 Kit MW-EB M8 L 3.0/5m 2280052 Kit MW-EB M8 L 3.0/10m 2280053</p>
<p>1d</p> <p>eyebolt combo</p>	<p>1d Centric Fixation Of MM Channel 5.0 wire</p> <p>2x MM-T-16-36 beam clamps 418763 1x MM-C-30 2mm channel 418749 1x MM-S M10 saddle nut 418761 1x M10 nut 2184505</p> <p>Eyebolt combo 1x eyebolt and lock Kit MW-EB M10 L 5.0/1m 2280054 Kit MW-EB M10 L 5.0/2m 2280055 Kit MW-EB M10 L 5.0/3m 2280056 Kit MW-EB M10 L 5.0/5m 2280057 Kit MW-EB M10 L 5.0/10m 2280058</p>

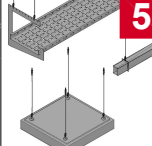


Application description	Application	Product lines	Base material
Wire system - Electrical - Cable Tray, Ceiling P. and Busbar On Steel MM Cahnnel	<p>5</p>	Wire system	Structural steel
General comments		Beam Clamps	
<ul style="list-style-type: none"> Loading must always be compared with the capacity of structural steel and all connected parts Only for vertically suspended loads. Not suitable for bracing. 		MM System	

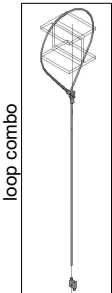
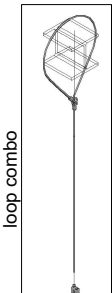
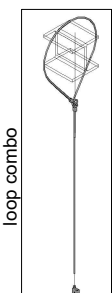
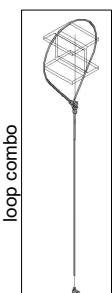
Hilti strongly advises customers to verify the respective product application for the intended use by consulting a structural engineer and making the necessary calculations to ensure compliance with the applicable norms and standards. Failure to consult and heed the advice of a structural engineer will free Hilti from any liability. It is essential that the product is used strictly in accordance with the applicable Hilti instructions for use, within the application limits specified in the Hilti technical data sheets, technical specifications and supporting product literature, and that the relevant application limits are not exceeded at any time. All rights reserved by Hilti Corporation. Duplication, utilization and/or publication of drawings contained in this manual are not permitted unless expressly agreed by Hilti Corporation.

Electrical - Cable Tray, Ceiling Panel and Busbar Fixed On Structural Steel Profiles - MQ Channel:

 <p>1a</p>	<p>1a Centric Fixation Of MQ Channel 1.5 wire</p> <p>2x MQT-U beam clamp 2115454 1x MQ-41 3m channel 369591 1x MQA-S-M8 saddle nut 2141906 1x M8 nut 2184504 Eyebolt combo 1x eyebolt and lock Kit MW-EB M8 L 1.5/1m 2280019 Kit MW-EB M8 L 1.5/2m 2280040 Kit MW-EB M8 L 1.5/3m 2280041 Kit MW-EB M8 L 1.5/5m 2280042 Kit MW-EB M8 L 1.5/10m 2280043</p>	 <p>1e</p>	<p>1e Centric Fixation Of MQ Channel 6.0 wire</p> <p>2x MQT-U beam clamp 2115454 1x MQ-41 3m channel 369591 1x MQA-M12-B saddle nut 2199453 1x M12 nut 2184554 Eyebolt combo 1x eyebolt and lock Kit MW-EB M12 L 6.0/3m 2280059 Kit MW-EB M12 L 6.0/5m 2280060 Kit MW-EB M12 L 6.0/10m 2280061</p>
 <p>1b</p>	<p>1b Centric Fixation Of MQ Channel 2.0 wire</p> <p>2x MQT-U beam clamp 2115454 1x MQ-41 3m channel 369591 1x MQA-S-M8 saddle nut 2141906 1x M8 nut 2184504 Eyebolt combo 1x eyebolt and lock Kit MW-EB M8 L 2.0/1m 2280044 Kit MW-EB M8 L 2.0/2m 2280045 Kit MW-EB M8 L 2.0/3m 2280046 Kit MW-EB M8 L 2.0/5m 2280047 Kit MW-EB M8 L 2.0/10m 2280048</p>	<p>Centric Fixation Of MQ Channel</p> <p>1a 1.5 wire 1b 2.0 wire 1c 3.0 wire 1d 5.0 wire 1e 6.0 wire</p> 	
 <p>1c</p>	<p>1c Centric Fixation Of MQ Channel 3.0 wire</p> <p>2x MQT-U beam clamp 2115454 1x MQ-41 3m channel 369591 1x MQA-S-M8 saddle nut 2141906 1x M8 nut 2184504 Eyebolt combo 1x eyebolt and lock Kit MW-EB M8 L 3.0/1m 2280049 Kit MW-EB M8 L 3.0/2m 2280050 Kit MW-EB M8 L 3.0/3m 2280051 Kit MW-EB M8 L 3.0/5m 2280052 Kit MW-EB M8 L 3.0/10m 2280053</p>	<p>2 Alternative Beam Clamps MQT</p> <p>1.5 wire 2.0 wire 3.0 wire 5.0 wire 6.0 wire</p> 	
 <p>1d</p>	<p>1d Centric Fixation Of MQ Channel 5.0 wire</p> <p>2x MQT-U beam clamp 2115454 1x MQ-41 3m channel 369591 1x MQA-S-M10 saddle nut 2141907 1x M10 nut 2184505 Eyebolt combo 1x eyebolt and lock Kit MW-EB M10 L 5.0/1m 2280054 Kit MW-EB M10 L 5.0/2m 2280055 Kit MW-EB M10 L 5.0/3m 2280056 Kit MW-EB M10 L 5.0/5m 2280057 Kit MW-EB M10 L 5.0/10m 2280058</p>	<p>Cable Tray</p> 	
 <p>2</p>	<p>2 Alternative Beam Clamp MQT</p> <p>2x MQT-21-41 beam clamp 369675 1x MQ-41 3m ...m channel 369591</p>	<p>Busbar</p> 	

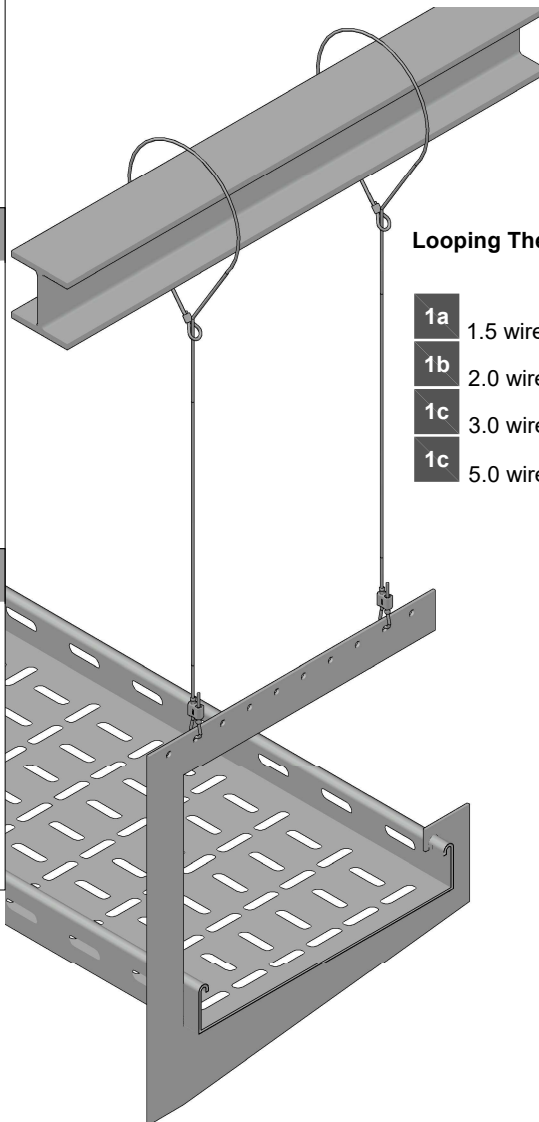
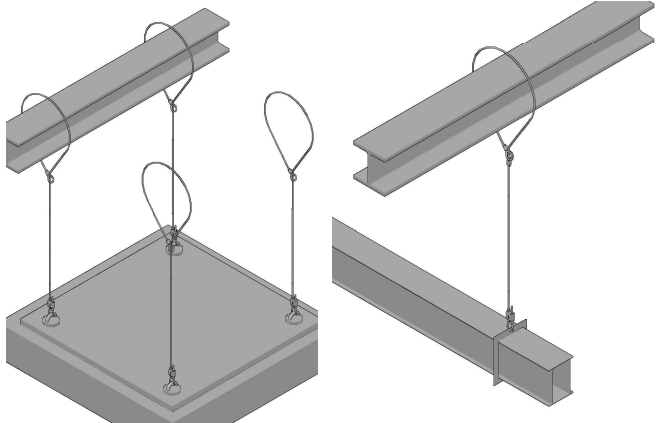
Application description	Application	Product lines	Base material
Wire system - Electrical - Cable Tray, Ceiling P. and Busbar On Steel-MQ Channel	 <p>5</p>	Wire system	Structural steel
General comments		Beam Clamps	
<ul style="list-style-type: none"> Loading must always be compared with the capacity of the structural steel and all connected parts. Only for vertically suspended loads. Not suitable for bracing. 		MQ Channel	

Electrical - Cable Tray, Ceiling Panel and Busbar Fixed On Structural Steel Profiles - Looped:

<p>1a</p>  <p>loop combo</p>	<p>1a Looping The Profile 1.5 wire</p> <p>Loop combo 1x loop and lock</p> <p>Kit MW-LP L 1.5/1m 2280072 Kit MW-LP L 1.5/2m 2280073 Kit MW-LP L 1.5/3m 2280074 Kit MW-LP L 1.5/5m 2280075 Kit MW-LP L 1.5/10m 2280076</p>
<p>1b</p>  <p>loop combo</p>	<p>1b Looping The Profile 2.0 wire</p> <p>Loop combo 1x loop and lock</p> <p>Kit MW-LP L 2.0/1m 2280077 Kit MW-LP L 2.0/2m 2280078 Kit MW-LP L 2.0/3m 2280079 Kit MW-LP L 2.0/5m 2280080 Kit MW-LP L 2.0/10m 2280081</p>
<p>1c</p>  <p>loop combo</p>	<p>1c Looping The Profile 3.0 wire</p> <p>Loop combo 1x loop and lock</p> <p>Kit MW-LP L 3.0/1m 2280082 Kit MW-LP L 3.0/2m 2280083 Kit MW-LP L 3.0/3m 2280084 Kit MW-LP L 3.0/5m 2280085 Kit MW-LP L 3.0/10m 2280086</p>
<p>1d</p>  <p>loop combo</p>	<p>1d Looping The Profile 5.0 wire</p> <p>Loop combo 1x loop and lock</p> <p>Kit MW-LP L 5.0/1m 2287096 Kit MW-LP L 5.0/2m 2287097 Kit MW-LP L 5.0/3m 2287098 Kit MW-LP L 5.0/5m 2287099 Kit MW-LP L 5.0/10m 2287580</p>

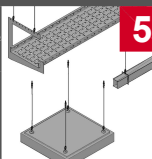
Ceiling panel

Busbar



Looping The Profile

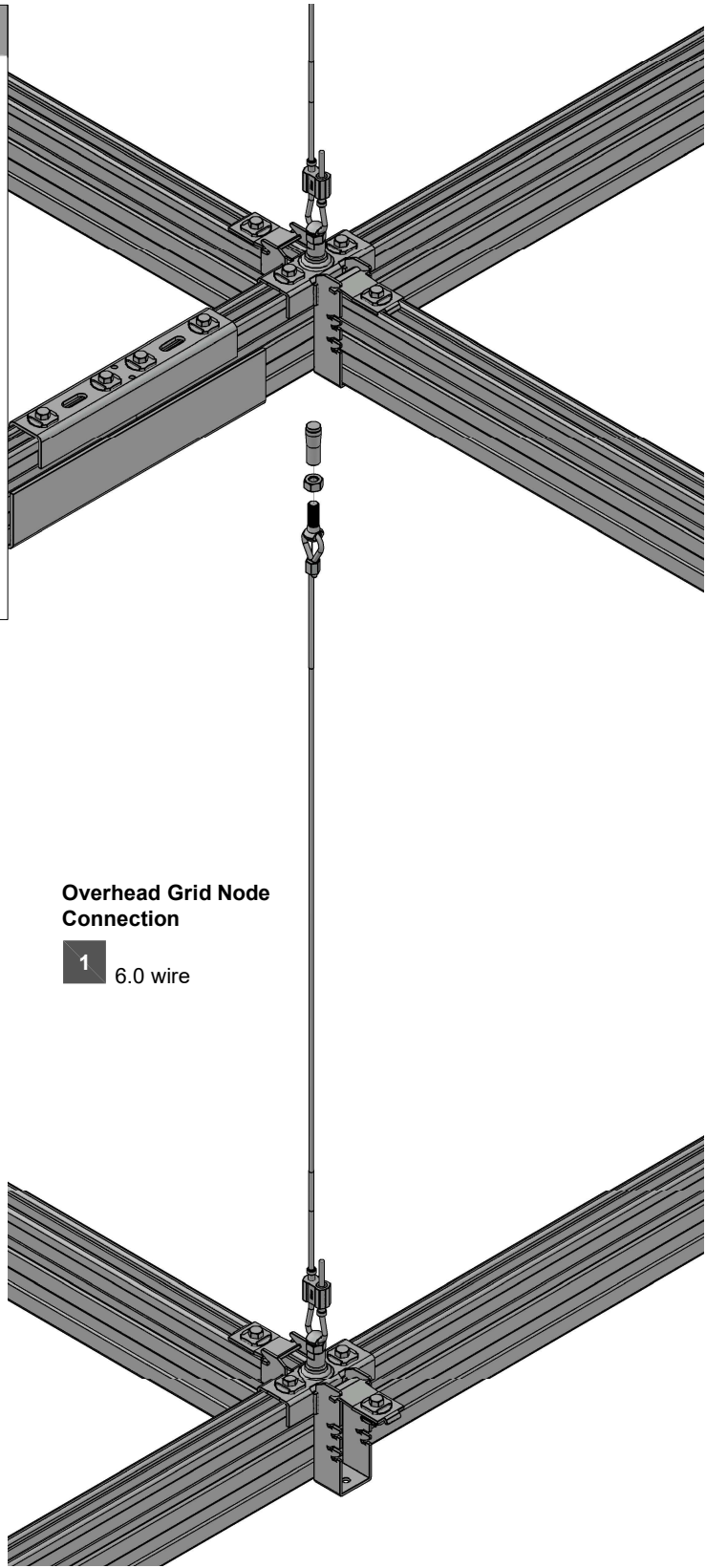
- 1a** 1.5 wire
- 1b** 2.0 wire
- 1c** 3.0 wire
- 1c** 5.0 wire

Application description	Application	Product lines	Base material
Wire system - Electrical - Cable Tray, Ceiling Panel and Busbar On Steel - Looped	 <p>5</p>	Wire system	Structural steel
<p>General comments</p> <ul style="list-style-type: none"> Loading must always be compared with the capacity of the structural steel and all connected parts. Sharp edges must be avoided to prevent damage to the wire 			

Hilti strongly advises customers to verify the respective product application for the intended use by consulting a structural engineer and making the necessary calculations to ensure compliance with the applicable norms and standards. Failure to consult and heed the advice of a structural engineer will free Hilti from any liability. It is essential that the product is used strictly in accordance with the applicable Hilti instructions for use, within the application limits specified in the Hilti technical data sheets, technical specifications and supporting product literature, and that the relevant application limits are not exceeded at any time. All rights reserved by Hilti Corporation. Duplication, utilization and/or publication of drawings contained in this manual are not permitted unless expressly agreed by Hilti Corporation.

Overhead Grid System Fixed On Concrete Slab:

1a	Overhead Grid node connection 6.0 wire	
<p>eyebolt combo</p>	Anchor	
	1x flush anchor HKD M12x50 anchor	378544
	Nut	
	1x M 12 nut	2184554
	Eyebolt combo	
	1x eyebolt and lock	
	Kit MW-EB M12 L 6.0/3m	2280059
	Kit MW-EB M12 L 6.0/5m	2280060
	Kit MW-EB M12 L 6.0/10m	2280061
	Eyebolt	
	1x MW-EB M12x42	2277566
	Nut	
	1x M 12 nut	2184554
	Push buttons	
	4x MQN-C push button	2184368
	Cross connector	
	1x MQI-K41D cross connector	286097
MQI-K124 cross connector	286098	
Main channel		
MQ -41D 3m channel	369603	
MQ-41D 6m	369604	
MQ-52-72D 3m channel	373799	
MQ-52-72D 6m channel	369605	
MQ-124X D 6m channel	369606	



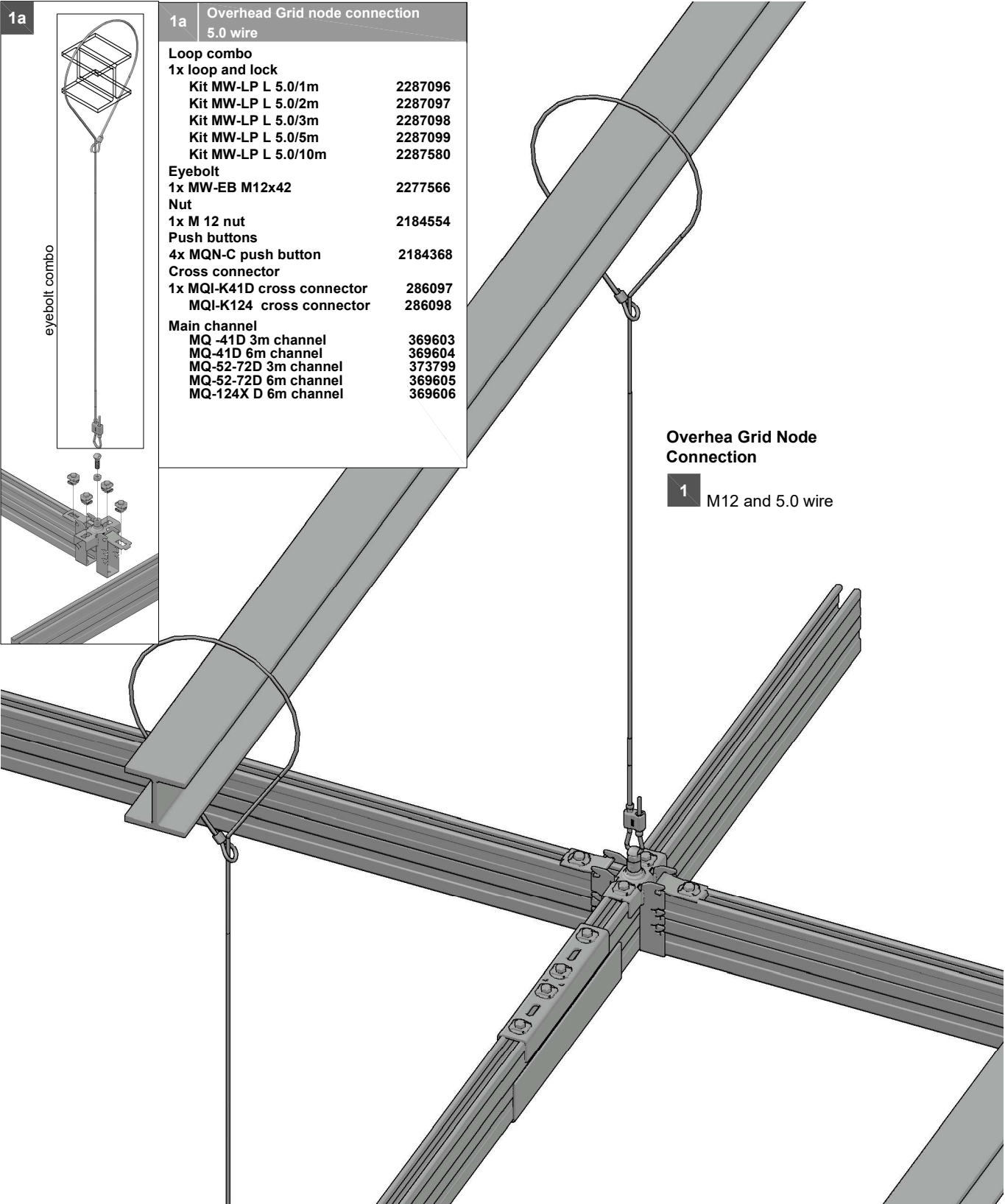
Overhead Grid Node Connection

1 6.0 wire

Application description	Application	Product lines	Base material
Wire system - Overhead Grid System Fixed On Concrete Slab		6 Wire system	Concrete
General comments		OHG Grid system	
<ul style="list-style-type: none"> Loading must always be compared with the capacity of the anchor within the chosen base material and all connected parts. Only for vertically suspended loads. Eye-bolt not suitable for bracing. 		MQ system	

Hilti strongly advises customers to verify the respective product application for the intended use by consulting a structural engineer and making the necessary calculations to ensure compliance with the applicable norms and standards. Failure to consult and heed the advice of a structural engineer will free Hilti from any liability. It is essential that the product is used strictly in accordance with the applicable Hilti instructions for use, within the application limits specified in the Hilti technical data sheets, technical specifications and supporting product literature, and that the relevant application limits are not exceeded at any time. All rights reserved by Hilti Corporation. Duplication, utilization and/or publication of drawings contained in this manual are not permitted unless expressly agreed by Hilti Corporation.

Overhead Grid System Fixed On Structural Steel - Looped:



Application description	Application	Product lines	Base material
Wire system - Overhead Grid System Fixed On Structural Steel - Looped		Wire system	Structural Steel
General comments		OHG system	
<ul style="list-style-type: none"> Loading must always be compared with the capacity of the structural steel and all connected parts. Sharp edges must be avoided to prevent damage to the wire. 		MQ system	

Hilti strongly advises customers to verify the respective product application for the intended use by consulting a structural engineer and making the necessary calculations to ensure compliance with the applicable norms and standards. Failure to consult and heed the advice of a structural engineer will free Hilti from any liability. It is essential that the product is used strictly in accordance with the applicable Hilti instructions for use, within the application limits specified in the Hilti technical data sheets, technical specifications and supporting product literature, and that the relevant application limits are not exceeded at any time. All rights reserved by Hilti Corporation. Duplication, utilization and/or publication of drawings contained in this manual are not permitted unless expressly agreed by Hilti Corporation.

Overhead Grid System Fixed On Structural Steel - Beam Clamps:

eyebolt combo

1a Overhead Grid node connection
6.0 wire

Beam Connector

1x MQI-AT beam connector	286090
2x MQN-C push button	2184368
1x A13x24 washer	2184512
1x M 12 nut	2184554

Eyebolt combo

1x Eyebolt and lock	
Kit MW-EB M12 L 6.0/3m	2280059
Kit MW-EB M12 L 6.0/5m	2280060
Kit MW-EB M12 L 6.0/10m	2280061

Eyebolt

1x MW-EB M12x42	2277566
1x M 12 nut	2184554

Push buttons

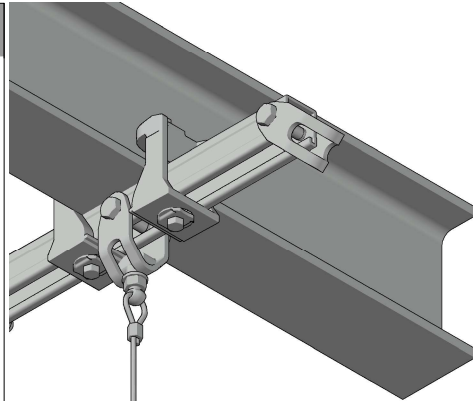
4x MQN-C push button	2184368
----------------------	---------

Cross connector

1x MQI-K41D cross connector	286097
MQI-K124 cross connector	286098

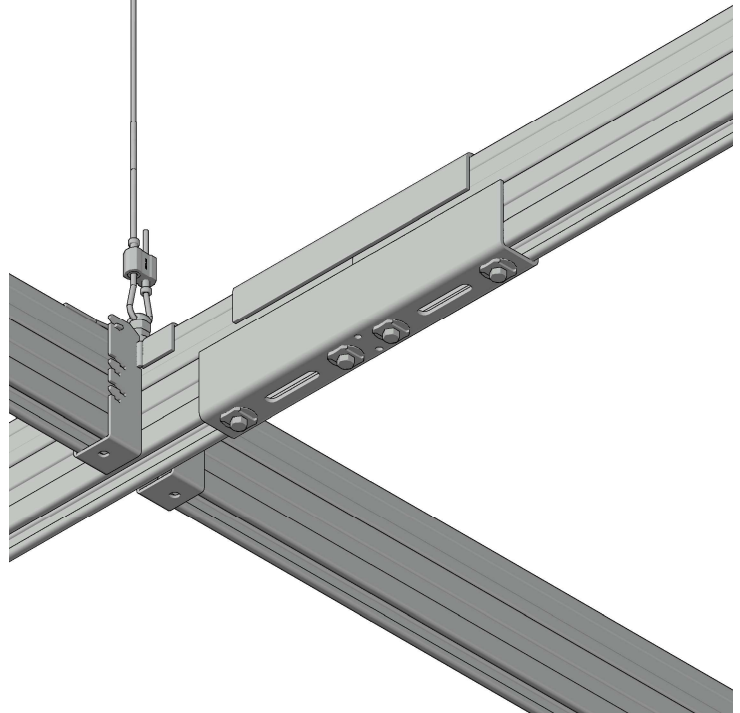
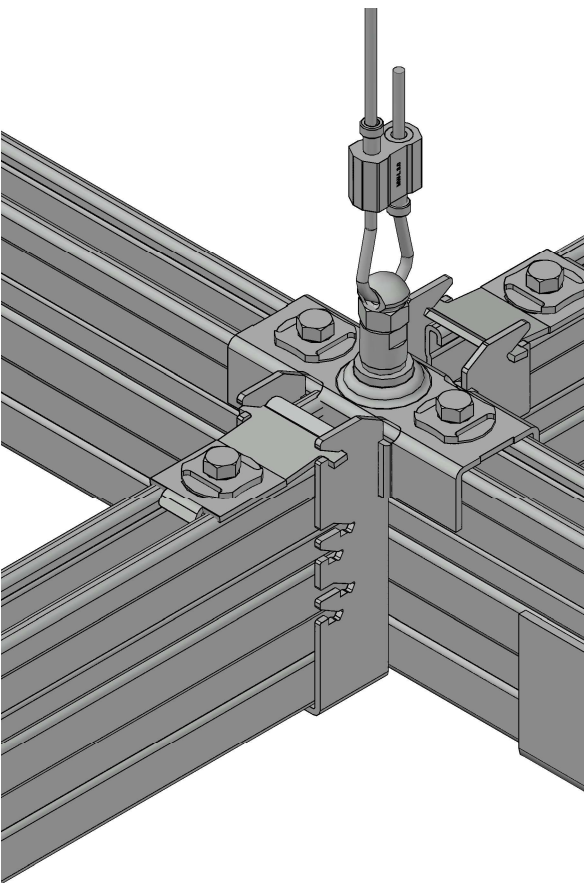
Main channel

MQ -41D 3m channel	369603
MQ -41D 6m channel	369604
MQ -52-72D 3m channel	373799
MQ -52-72D 6m channel	369605
MQ -124X D 6m channel	369606



Overhead Grid Node Connection

1 M12 and 6.0 wire



Application description	Application	Product lines	Base material
Wire system - Overhead Grid System Fixed On Structural Steel - Beam Clamps	6	Wire system	Structural Steel
General comments		OHG system	
<ul style="list-style-type: none"> Loading must always be compared with the capacity of the structural steel and all connected parts. 		MQ system	

Hilti strongly advises customers to verify the respective product application for the intended use by consulting a structural engineer and making the necessary calculations to ensure compliance with the applicable norms and standards. Failure to consult and heed the advice of a structural engineer will free Hilti from any liability. It is essential that the product is used strictly in accordance with the applicable Hilti instructions for use, within the application limits specified in the Hilti technical data sheets, technical specifications and supporting product literature, and that the relevant application limits are not exceeded at any time. All rights reserved by Hilti Corporation. Duplication, utilization and/or publication of drawings contained in this manual are not permitted unless expressly agreed by Hilti Corporation.

Overhead Grid System Space Bracing Fixed On Concrete:

1 Overhead Grid System Space Bracing
6.0 wire

Wall Bracing Connection

1x HUS3-H 10x60 5/- anchor	2079911
or	
HST3 M12x105 30/10 anchor	2105718
1x MQP-U M12 universal joint	284248
2x A13x24 washer	2184512
2x M 12 nut	2184554

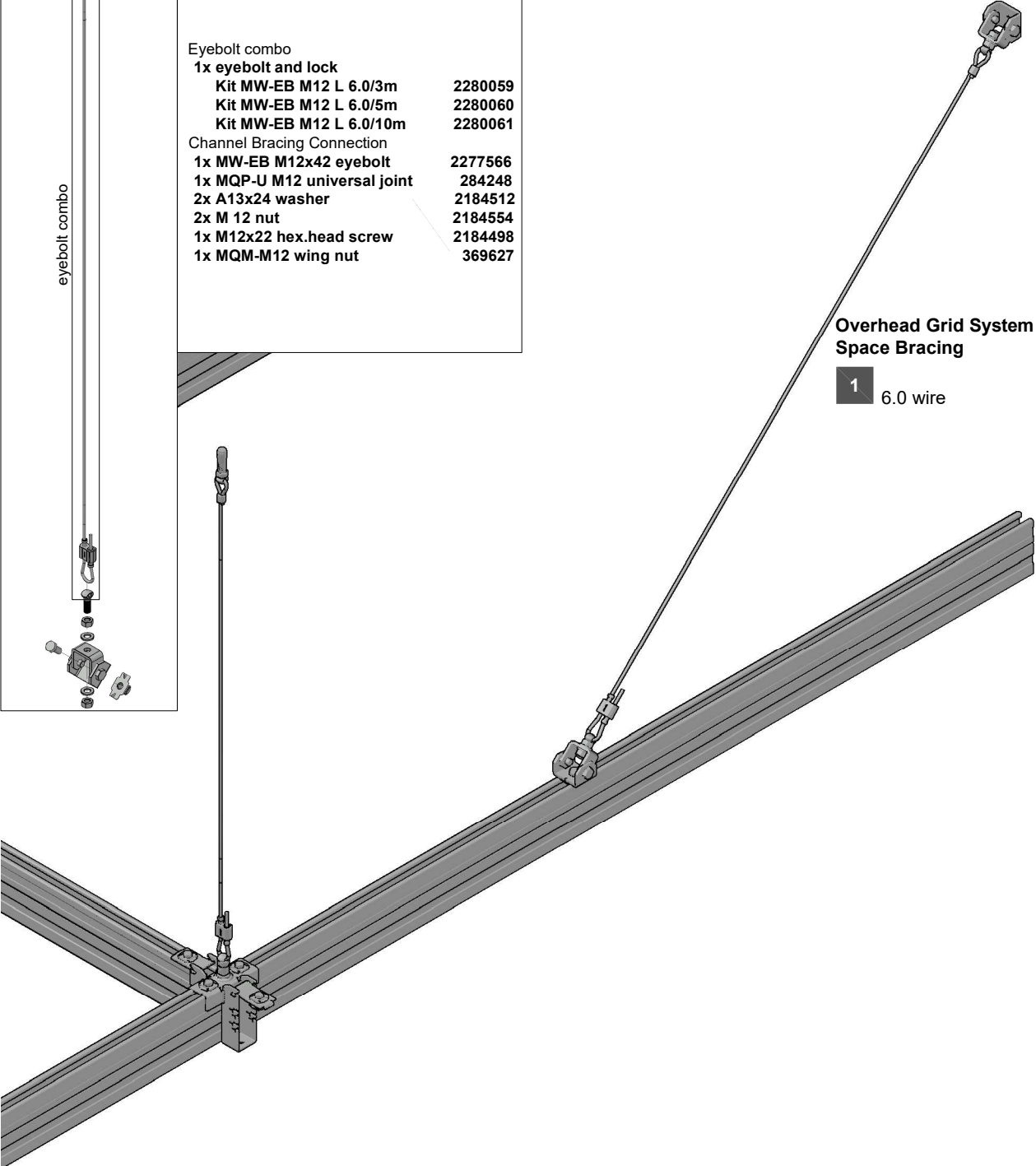
Eyebolt combo

1x eyebolt and lock	
Kit MW-EB M12 L 6.0/3m	2280059
Kit MW-EB M12 L 6.0/5m	2280060
Kit MW-EB M12 L 6.0/10m	2280061

Channel Bracing Connection

1x MW-EB M12x42 eyebolt	2277566
1x MQP-U M12 universal joint	284248
2x A13x24 washer	2184512
2x M 12 nut	2184554
1x M12x22 hex.head screw	2184498
1x MQM-M12 wing nut	369627

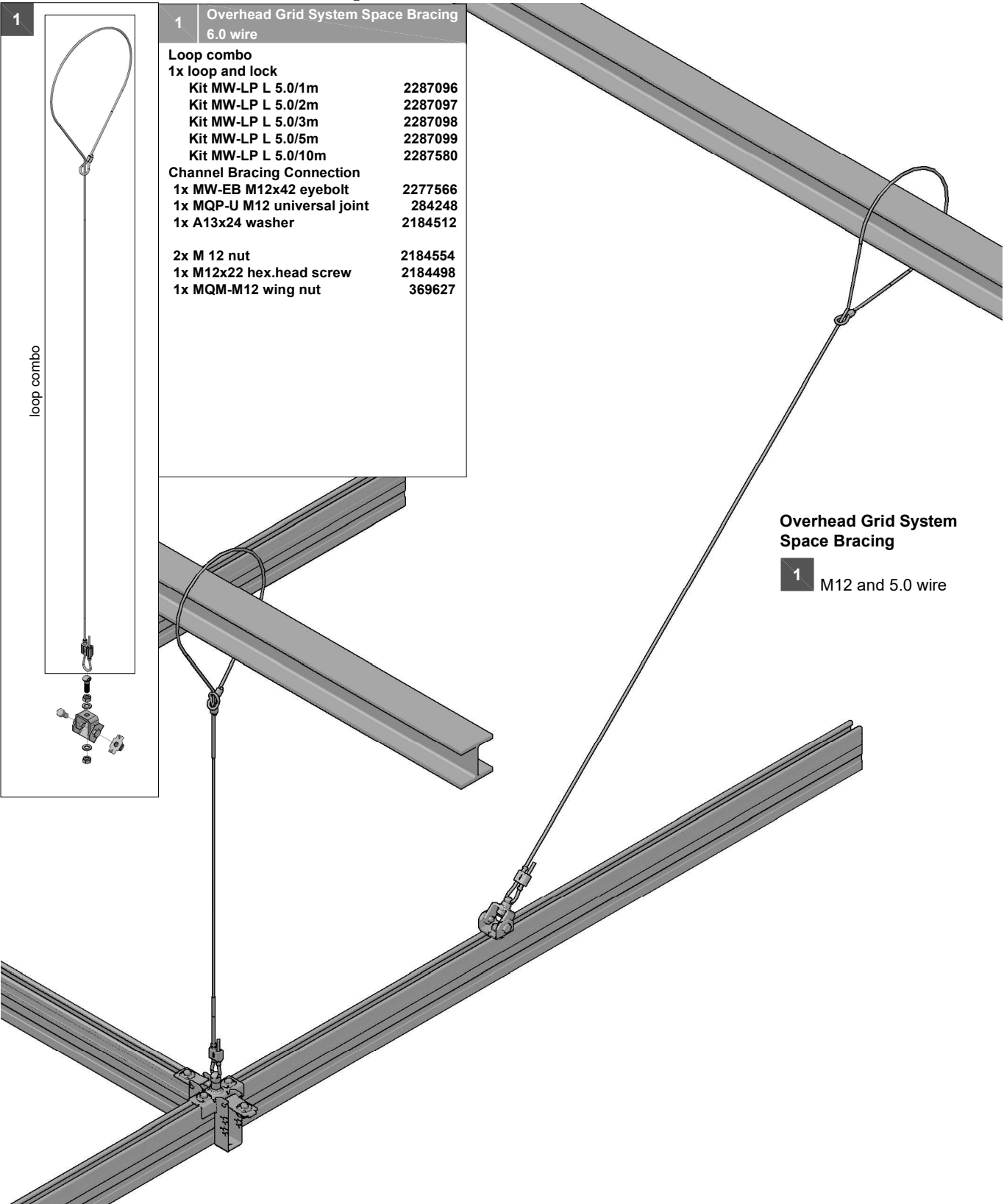
eyebolt combo



Application description	Application	Product lines	Base material
Wire system - Overhead Grid System Space Bracing Fixed On Concrete		Wire system	Concrete
General comments		OHG system	
<ul style="list-style-type: none"> Loading must always be compared with the capacity of all connected parts, considering also the effect of the angle of loading Loading must always be compared with the capacity of the anchor within the chosen base material. 		MQ system	

Hilti strongly advises customers to verify the respective product application for the intended use by consulting a structural engineer and making the necessary calculations to ensure compliance with the applicable norms and standards. Failure to consult and heed the advice of a structural engineer will free Hilti from any liability. It is essential that the product is used strictly in accordance with the applicable Hilti instructions for use, within the application limits specified in the Hilti technical data sheets, technical specifications and supporting product literature, and that the relevant application limits are not exceeded at any time. All rights reserved by Hilti Corporation. Duplication, utilization and/or publication of drawings contained in this manual are not permitted unless expressly agreed by Hilti Corporation.

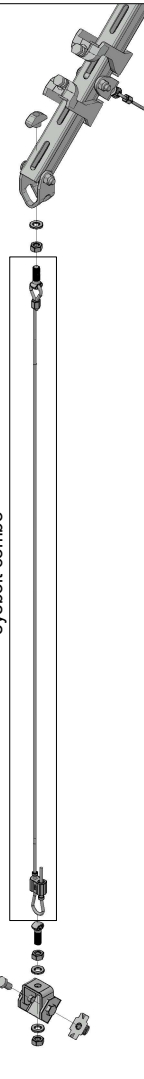
Overhead Grid Space Bracing System Fixed On Structural Steel Looped:

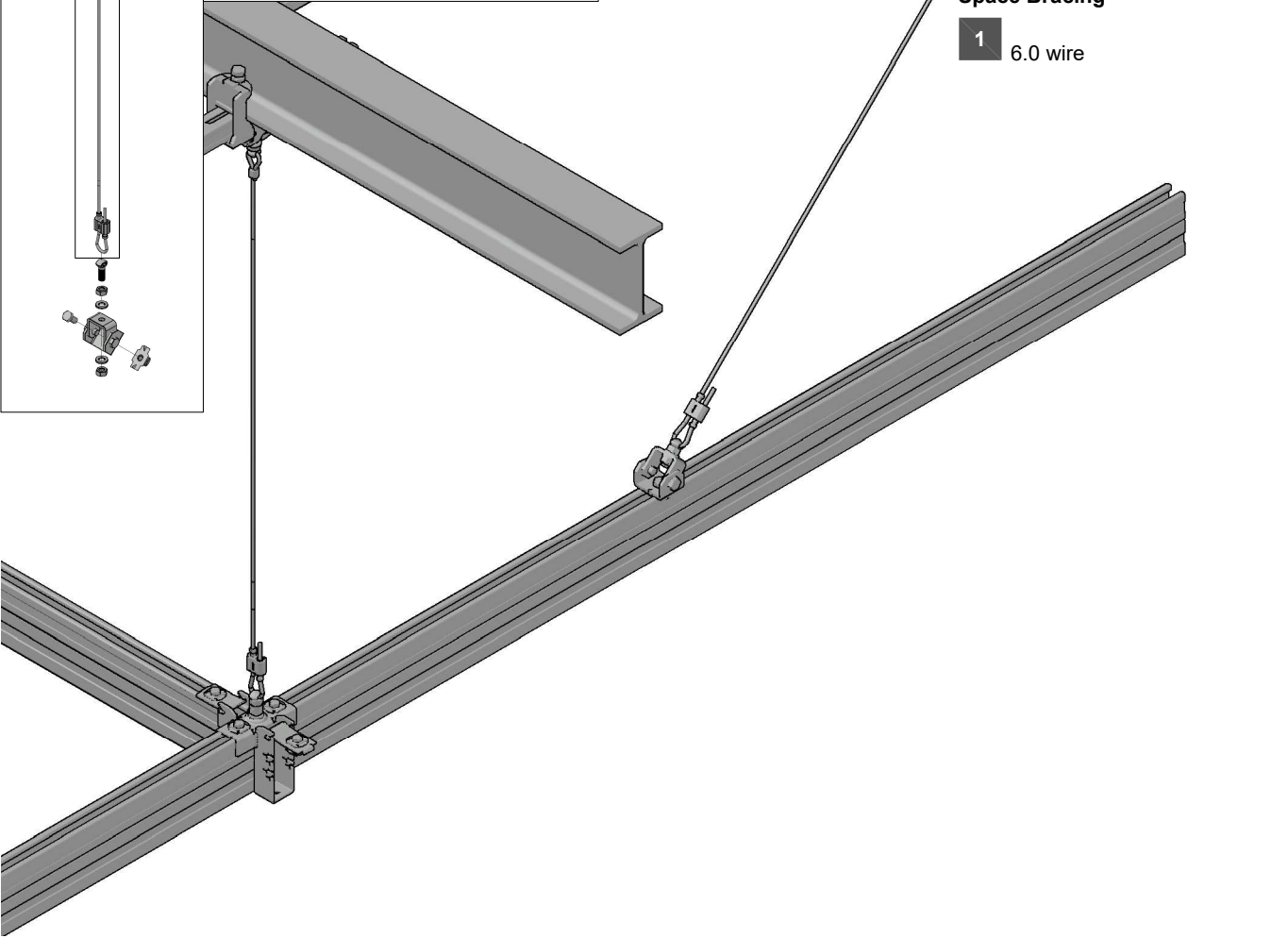


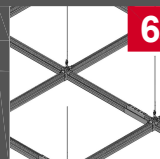
Application description	Application	Product lines	Base material
Wire system - Overhead Grid System Space Bracing On Structural Steel - Looped		6 Wire system	Structural Steel
General comments		OHG System	
<ul style="list-style-type: none"> Loading must always be compared with the capacity of the structural steel and all connected parts. Sharp edges must be avoided to prevent damage to the wire. 		MQ system	

Hilti strongly advises customers to verify the respective product application for the intended use by consulting a structural engineer and making the necessary calculations to ensure compliance with the applicable norms and standards. Failure to consult and heed the advice of a structural engineer will free Hilti from any liability. It is essential that the product is used strictly in accordance with the applicable Hilti instructions for use, within the application limits specified in the Hilti technical data sheets, technical specifications and supporting product literature, and that the relevant application limits are not exceeded at any time. All rights reserved by Hilti Corporation. Duplication, utilization and/or publication of drawings contained in this manual are not permitted unless expressly agreed by Hilti Corporation.

Overhead Grid Space Bracing System Fixed On Structural Steel:

1	 <p style="writing-mode: vertical-rl; transform: rotate(180deg);">eyebolt combo</p>	1 Overhead Grid System Space Bracing 6.0 wire
Beam Connector 1x MQI-AT beam connector 286090 1x A13x24 washer 2184512 2x M 12 nut 2184554		
Eyebolt combo 1x eyebolt and lock Kit MW-EB M12 L 6.0/3m 2280059 Kit MW-EB M12 L 6.0/5m 2280060 Kit MW-EB M12 L 6.0/10m 2280061		
Channel Bracing Connection 1x MW-EB M12x42 eyebolt 2277566 1x MQP-U M12 universal joint 284248 2x A13x24 washer 2184512		
2x M 12 nut 2184554 1x M12x22 hex.head screw 2184498 1x MQM-M12 wing nut 369627		

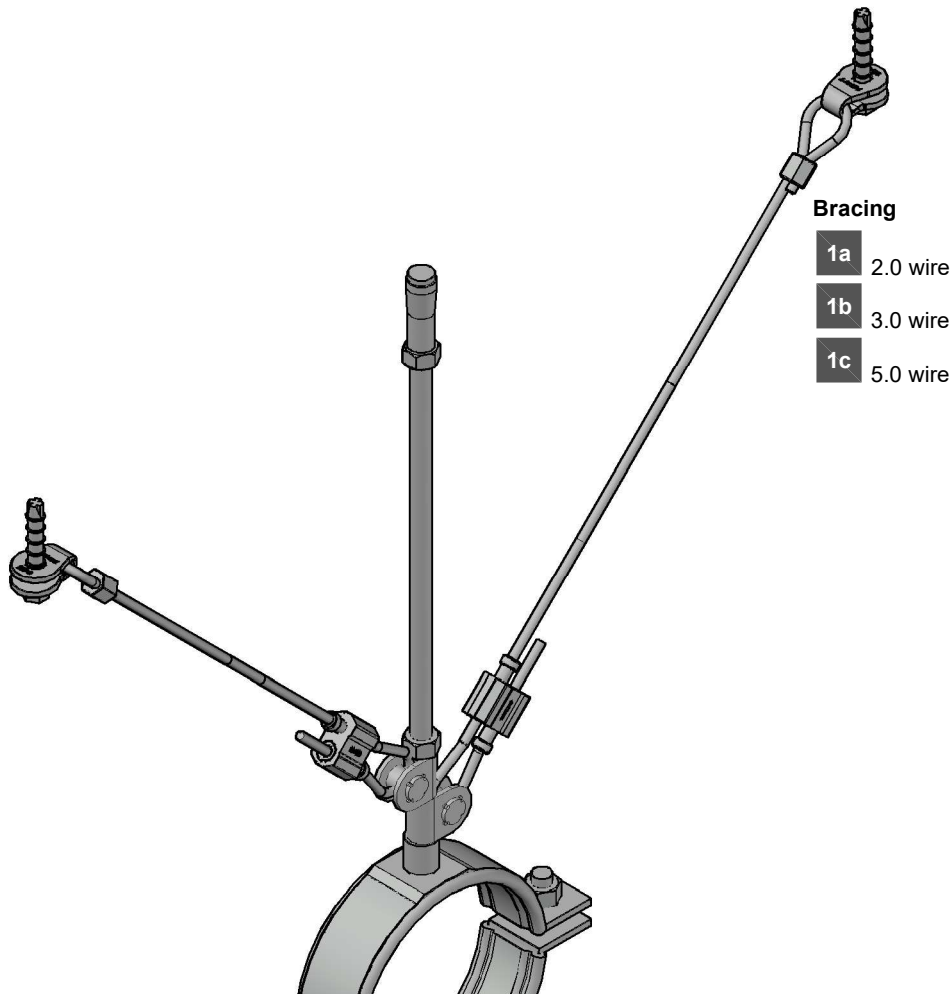


Application description	Application	Product lines	Base material
Wire system - Overhead Grid System Space Bracing Fixed On Structural Steel		6 Wire system	Structural Steel
General comments		OHG system	
<ul style="list-style-type: none"> Loading must always be compared with the capacity of the structural steel and all connected parts, considering also the effect of the angle of loading 		MQ system	

Hilti strongly advises customers to verify the respective product application for the intended use by consulting a structural engineer and making the necessary calculations to ensure compliance with the applicable norms and standards. Failure to consult and heed the advice of a structural engineer will free Hilti from any liability. It is essential that the product is used strictly in accordance with the applicable Hilti instructions for use, within the application limits specified in the Hilti technical data sheets, technical specifications and supporting product literature, and that the relevant application limits are not exceeded at any time. All rights reserved by Hilti Corporation. Duplication, utilization and/or publication of drawings contained in this manual are not permitted unless expressly agreed by Hilti Corporation.

Bracing - Single Fastening Point on Concrete Slab:

1a	Bracing 2.0 wire	1b	Bracing 3.0 wire	1c	Bracing 5.0 wire	1a-c
Anchor		Anchor		Anchor		
1x HUS3-H 8x75 25/15/5 anchor 2079796		1x HUS3-H 8x75 25/15/5 anchor 2079796		1x HUS3-H 8x75 25/15/5 anchor 2079796		
HST3 M10x90 30/10 anchor 2105712		HST3 M10x90 30/10 anchor 2105712		HST3 M10x90 30/10 anchor 2105712		
Clip		Clip		Clip		
1x MW-C clip 2287563		1x MW-C clip 2287563		1x MW-C clip 2287563		
Loop combo		Loop combo		Loop combo		
1x loop and lock		1x loop and lock		1x loop and lock		
Kit MW-LP L 2.0/1m 2280077		Kit MW-LP L 3.0/1m 2280082		Kit MW-LP L 5.0/1m 2287096		
Kit MW-LP L 2.0/2m 2280078		Kit MW-LP L 3.0/2m 2280083		Kit MW-LP L 5.0/2m 2287097		
Kit MW-LP L 2.0/3m 2280079		Kit MW-LP L 3.0/3m 2280084		Kit MW-LP L 5.0/3m 2287098		
Kit MW-LP L 2.0/5m 2280080		Kit MW-LP L 3.0/5m 2280085		Kit MW-LP L 5.0/5m 2287099		
Kit MW-LP L 2.0/10m 2280081		Kit MW-LP L 3.0/10m 2280086		Kit MW-LP L 5.0/10m 2287580		
Seismic hinge		Seismic hinge		Seismic hinge		
1x MQS-H-8 2083738		1x MQS-H-8 2083738		1x MQS-H-8 2083738		
1x MQS-H-10 2083739		1x MQS-H-10 2083739		1x MQS-H-10 2083739		
1x MQS-H-12 2083740		1x MQS-H-12 2083740		1x MQS-H-12 2083740		

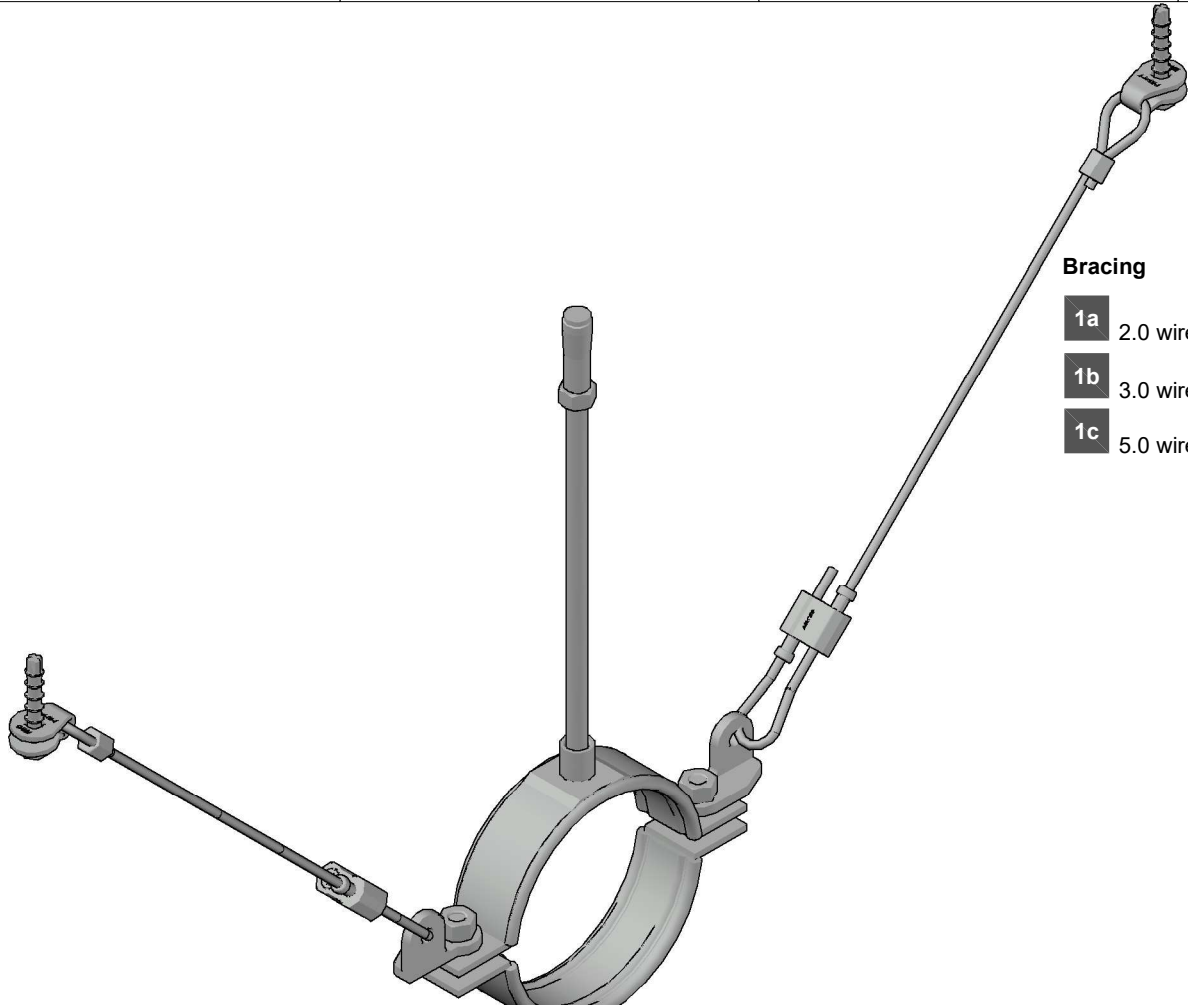


Application description	Application	Product lines	Base material
Wire system - Bracing Single Fastening Point On Concrete Slab		Wire system	Concrete
General comments		MQS System	
<ul style="list-style-type: none"> Loading must always be compared with the capacity of all connected parts and the anchor within the chosen base material. This capacity is affected by the angle of loading from the vertical and the prying factor. Only one wire may be suspended on each clip. 			

Hilti strongly advises customers to verify the respective product application for the intended use by consulting a structural engineer and making the necessary calculations to ensure compliance with the applicable norms and standards. Failure to consult and heed the advice of a structural engineer will free Hilti from any liability. It is essential that the product is used strictly in accordance with the applicable Hilti instructions for use, within the application limits specified in the Hilti technical data sheets, technical specifications and supporting product literature, and that the relevant application limits are not exceeded at any time. All rights reserved by Hilti Corporation. Duplication, utilization and/or publication of drawings contained in this manual are not permitted unless expressly agreed by Hilti Corporation.

Bracing - Single Fastening Point on Concrete Slab - Double Connection:

1a	Bracing 2.0 wire	1b	Bracing 3.0 wire	1c	Bracing 5.0 wire	1a-c
Anchor		Anchor		Anchor		
1x HUS3-H 8x75 25/15/5 anchor	2079796	1x HUS3-H 8x75 25/15/5 anchor	2079796	1x HUS3-H 8x75 25/15/5 anchor	2079796	
HST3 M10x90 30/10 anchor	2105712	HST3 M10x90 30/10 anchor	2105712	HST3 M10x90 30/10 anchor	2105712	
Clip		Clip		Clip		
1x MW-C clip	2287563	1x MW-C clip	2287563	1x MW-C clip	2287563	
Loop combo		Loop combo		Loop combo		
1x loop and lock		1x loop and lock		1x loop and lock		
Kit MW-LP L 2.0/1m	2280077	Kit MW-LP L 3.0/1m	2280082	Kit MW-LP L 5.0/1m	2287096	
Kit MW-LP L 2.0/2m	2280078	Kit MW-LP L 3.0/2m	2280083	Kit MW-LP L 5.0/2m	2287097	
Kit MW-LP L 2.0/3m	2280079	Kit MW-LP L 3.0/3m	2280084	Kit MW-LP L 5.0/3m	2287098	
Kit MW-LP L 2.0/5m	2280080	Kit MW-LP L 3.0/5m	2280085	Kit MW-LP L 5.0/5m	2287099	
Kit MW-LP L 2.0/10m	2280081	Kit MW-LP L 3.0/10m	2280086	Kit MW-LP L 5.0/10m	2287099	
Seismic hinge		Seismic hinge		Seismic hinge		
1x MQS-A 9.4	2083721	1x MQS-A 9.4	2083721	1x MQS-A 9.4	2083721	
MQS-A 11.5	2083722	MQS-A 11.5	2083722	MQS-A 11.5	2083722	
MQS-A 13.6	2083723	MQS-A 13.6	2083723	MQS-A 13.6	2083723	
MQS-A 16.3	2083724	MQS-A 16.3	2083724	MQS-A 16.3	2083724	



Bracing

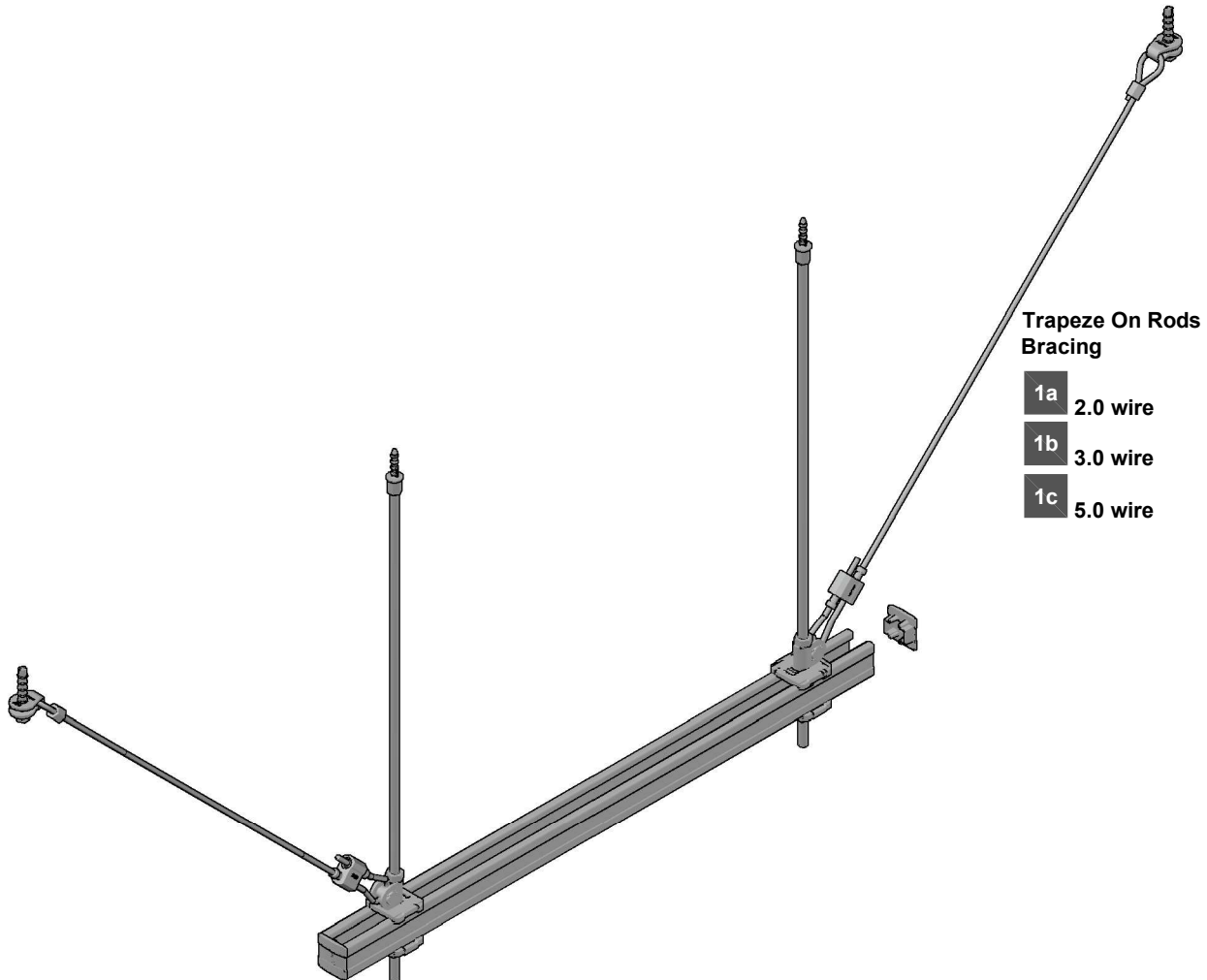
- 1a** 2.0 wire
- 1b** 3.0 wire
- 1c** 5.0 wire

Application description	Application	Product lines	Base material
Wire system - Bracing Single Fastening Point On Concrete Slab - Double		Wire system	Concrete
General comments		MQS System	
<ul style="list-style-type: none"> • Loading must always be compared with the capacity of all connected parts and the anchor within the chosen base material. This capacity is affected by the angle of loading from the vertical and the prying factor. • Only one wire may be suspended on each clip. 			

Hilti strongly advises customers to verify the respective product application for the intended use by consulting a structural engineer and making the necessary calculations to ensure compliance with the applicable norms and standards. Failure to consult and heed the advice of a structural engineer will free Hilti from any liability. It is essential that the product is used strictly in accordance with the applicable Hilti instructions for use, within the application limits specified in the Hilti technical data sheets, technical specifications and supporting product literature, and that the relevant application limits are not exceeded at any time. All rights reserved by Hilti Corporation. Duplication, utilization and/or publication of drawings contained in this manual are not permitted unless expressly agreed by Hilti Corporation.

Bracing - Trapeze On Rods Fixed On Concrete Slab:

1a	Bracing 2.0 wire	1b	Bracing 3.0 wire	1c	Bracing 5.0 wire	1a-c
Anchor		Anchor		Anchor		
1x HUS3-H 8x75 25/15/5 anchor 2079796		1x HUS3-H 8x75 25/15/5 anchor 2079796		1x HUS3-H 8x75 25/15/5 anchor 2079796		
HST3 M10x90 30/10 anchor 2105712		HST3 M10x90 30/10 anchor 2105712		HST3 M10x90 30/10 anchor 2105712		
Clip		Clip		Clip		
1x MW-C clip 2287563		1x MW-C clip 2287563		1x MW-C clip 2287563		
Loop combo		Loop combo		Loop combo		
1x Loop and lock		1x Loop and lock		1x Loop and lock		
Kit MW-LP L 2.0/1m 2280077		Kit MW-LP L 3.0/1m 2280082		Kit MW-LP L 5.0/1m 2287096		
Kit MW-LP L 2.0/2m 2280078		Kit MW-LP L 3.0/2m 2280083		Kit MW-LP L 5.0/2m 2287097		
Kit MW-LP L 2.0/3m 2280079		Kit MW-LP L 3.0/3m 2280084		Kit MW-LP L 5.0/3m 2287098		
Kit MW-LP L 2.0/5m 2280080		Kit MW-LP L 3.0/5m 2280085		Kit MW-LP L 5.0/5m 2287099		
Kit MW-LP L 2.0/10m 2280081		Kit MW-LP L 3.0/10m 2280086		Kit MW-LP L 5.0/10m 2287580		
1x Seismic hinge		1x Seismic hinge		1x Seismic hinge		
MQS-H-8 2083738		MQS-H-8 2083738		MQS-H-8 2083738		
MQS-H-10 2083739		MQS-H-10 2083739		MQS-H-10 2083739		
MQS-H-12 2083740		MQS-H-12 2083740		MQS-H-12 2083740		

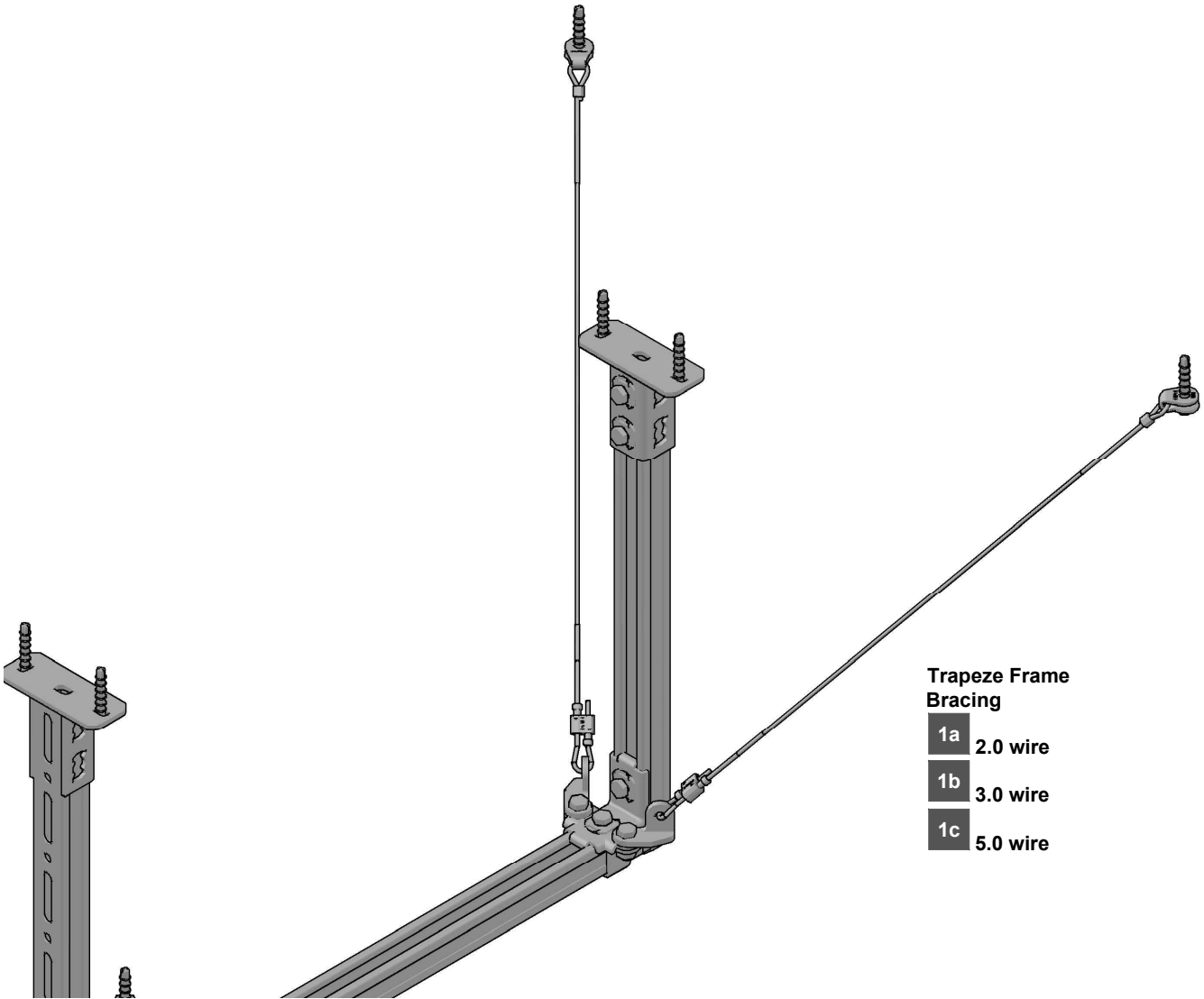


Application description	Application	Product lines	Base material
Wire system - Bracing - Trapeze On Rods On Concrete Slab		8 Wire system	Concrete
General comments		MQ System	
<ul style="list-style-type: none"> Loading must always be compared with the capacity of all connected parts and anchor within the chosen base material. This capacity is affected by the angle of loading from the vertical and the prying factor. Only one wire may be suspended on each clip. 		MQS System	

Hilti strongly advises customers to verify the respective product application for the intended use by consulting a structural engineer and making the necessary calculations to ensure compliance with the applicable norms and standards. Failure to consult and heed the advice of a structural engineer will free Hilti from any liability. It is essential that the product is used strictly in accordance with the applicable Hilti instructions for use, within the application limits specified in the Hilti technical data sheets, technical specifications and supporting product literature, and that the relevant application limits are not exceeded at any time. All rights reserved by Hilti Corporation. Duplication, utilization and/or publication of drawings contained in this manual are not permitted unless expressly agreed by Hilti Corporation.

Bracing - Trapeze Frame Fixed On Concrete Slab:

1a	Bracing 2.0 wire	1b	Bracing 3.0 wire	1c	Bracing 5.0 wire	1a-c
Anchor		Anchor		Anchor		
1x HUS3-H 8x75 25/15/5 anchor 2079796		1x HUS3-H 8x75 25/15/5 anchor 2079796		1x HUS3-H 8x75 25/15/5 anchor 2079796		
HST3 M10x90 30/10 anchor 2105712		HST3 M10x90 30/10 anchor 2105712		HST3 M10x90 30/10 anchor 2105712		
Clip		Clip		Clip		
1x MW-C clip 2287563		1x MW-C clip 2287563		1x MW-C clip 2287563		
Loop combo		Loop combo		Loop combo		
1x Loop and lock		1x Loop and lock		1x Loop and lock		
Kit MW-LP L 2.0/1m 2280077		Kit MW-LP L 3.0/1m 2280082		Kit MW-LP L 5.0/1m 2287096		
Kit MW-LP L 2.0/2m 2280078		Kit MW-LP L 3.0/2m 2280083		Kit MW-LP L 5.0/2m 2287097		
Kit MW-LP L 2.0/3m 2280079		Kit MW-LP L 3.0/3m 2280084		Kit MW-LP L 5.0/3m 2287098		
Kit MW-LP L 2.0/5m 2280080		Kit MW-LP L 3.0/5m 2280085		Kit MW-LP L 5.0/5m 2287099		
Kit MW-LP L 2.0/10m 2280081		Kit MW-LP L 3.0/10m 2280086		Kit MW-LP L 5.0/10m 2287580		
1x Seismic hinge		1x Seismic hinge		1x Seismic hinge		
MQS-A 11.5 2083722		MQS-A 11.5 2083722		MQS-A 11.5 2083722		
1x Seismic trapeze angle		1x Seismic trapeze angle		1x Seismic trapeze angle		
MQS-W-41 angle 2083735		MQS-W-41 angle 2083735		MQS-W-41 angle 2083735		
MQS-W-72 angle 2083736		MQS-W-72 angle 2083736		MQS-W-72 angle 2083736		
MQS-W-41D angle 2083737		MQS-W-41D angle 2083737		MQS-W-41D angle 2083737		



Trapeze Frame Bracing

- 1a** 2.0 wire
- 1b** 3.0 wire
- 1c** 5.0 wire

Application description	Application	Product lines	Base material
Wire system - Bracing - Trapeze Frame On Concrete Slab		8	Wire system
General comments		MQ System	Concrete
<ul style="list-style-type: none"> • Loading must always be compared with the capacity of all connected parts and of the anchor within the chosen base material. This capacity is affected by the angle of loading from the vertical and the prying factor. • Only one wire may be suspended on each clip. 		MQS System	

Hilti strongly advises customers to verify the respective product application for the intended use by consulting a structural engineer and making the necessary calculations to ensure compliance with the applicable norms and standards. Failure to consult and heed the advice of a structural engineer will free Hilti from any liability. It is essential that the product is used strictly in accordance with the applicable Hilti instructions for use, within the application limits specified in the Hilti technical data sheets, technical specifications and supporting product literature, and that the relevant application limits are not exceeded at any time. All rights reserved by Hilti Corporation. Duplication, utilization and/or publication of drawings contained in this manual are not permitted unless expressly agreed by Hilti Corporation.



Hilti Aktiengesellschaft
9494 Schaan, Liechtenstein
P +423-234 2965

www.facebook.com/hiltigroup
www.hilti.group