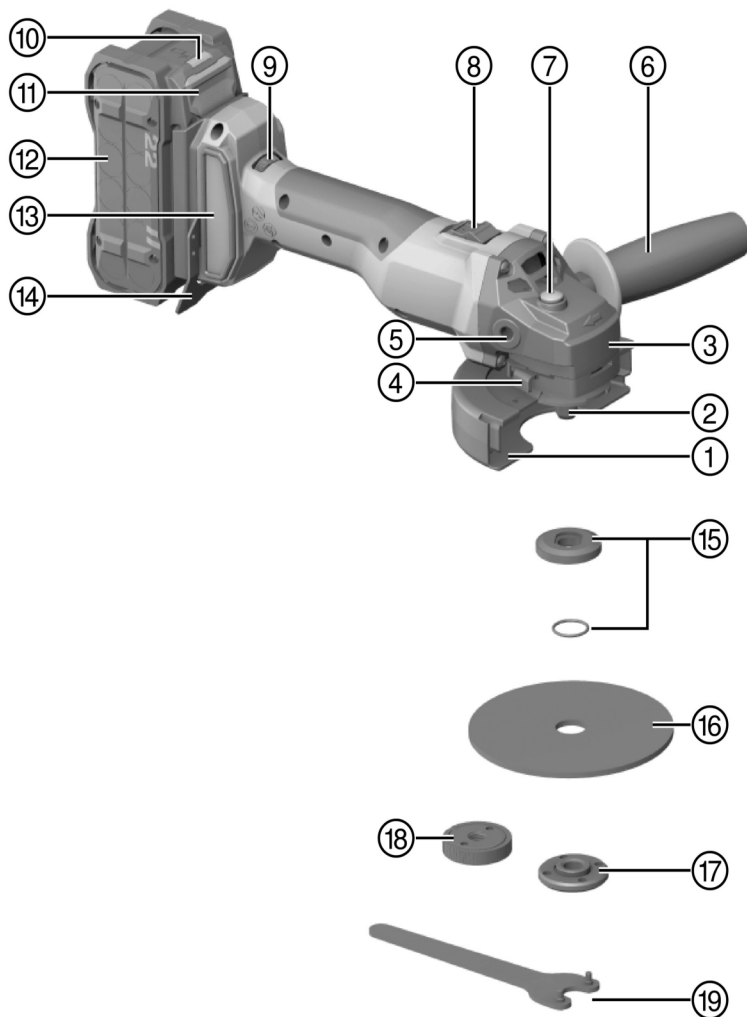




AG 4S-22-125

NURON

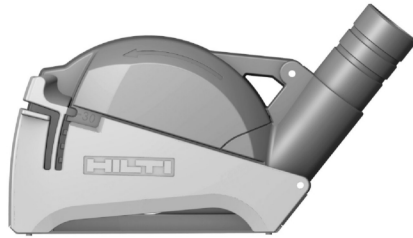
English	1
Dansk	20
Svenska	39
Norsk	58
Suomi	77
Eesti	96
Latviešu	115
Lietuvių	135
Русский	155
Українська	178
Қазақ	200
Türkçe	222
عربي	242
한국어	263
日本語	281



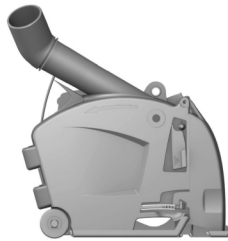
2



3



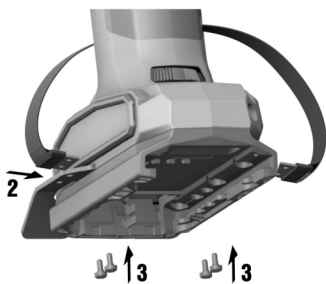
4



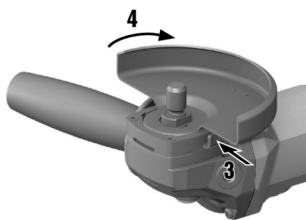
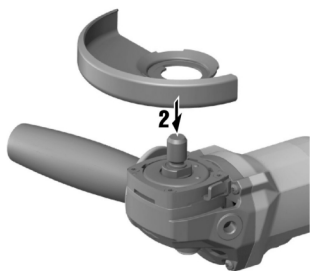
5



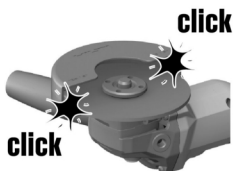
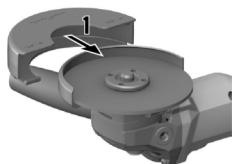
6



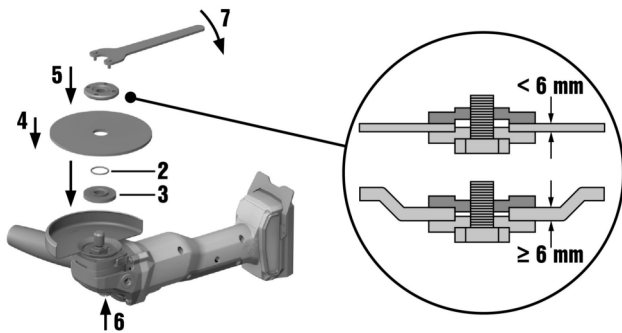
7



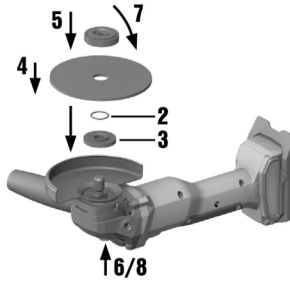
8



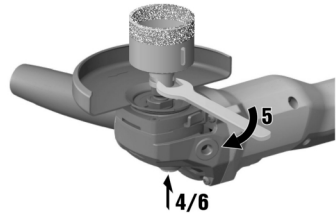
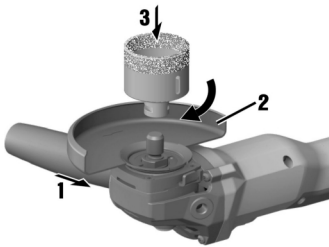
9



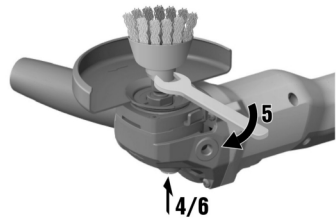
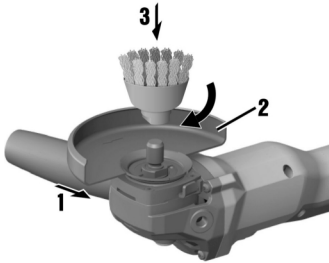
10



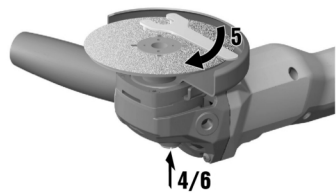
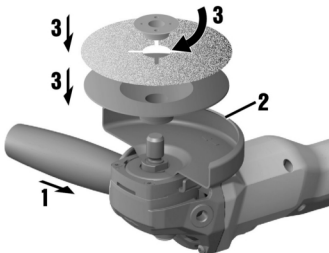
11



12



13



AG 4S-22-125

en	Original operating instructions	1
da	Original brugsanvisning	20
sv	Originalbruksanvisning	39
no	Original bruksanvisning	58
fi	Alkuperäiset ohjeet	77
et	Originaalkasutusjuhend	96
lv	Orģinālā lietošanas instrukcija	115
lt	Originali naudojimo instrukcija	135
ru	Перевод оригинального руководства по эксплуатации	155
uk	Оригінальна інструкція з експлуатації	178
kk	Түпнұсқа пайдалану бойынша нұсқаулық	200
tr	Orijinal kullanım kılavuzu	222
ar	دليل الاستعمال الأصلي	242
ko	오리지널 사용 설명서	263
ja	オリジナル取扱説明書	281

Original operating instructions

1 Information about the operating instructions

1.1 About these operating instructions

- **Warning!** Read and understand all accompanying documentation, including but not limited to instructions, safety warnings, illustrations, and specifications provided with this product. Familiarize yourself with all the instructions, safety warnings, illustrations, specifications, components, and functions of the product before use. Failure to do so may result in electric shock, fire, and/or serious injury. Save all warnings and instructions for future reference.
- products are designed for professional users and only trained, authorized personnel are permitted to operate, service and maintain the products. This personnel must be specifically informed about the possible hazards. The product and its ancillary equipment can present hazards if used incorrectly by untrained personnel or if used not in accordance with the intended use.
- The accompanying documentation corresponds to the current state of the art at the time of printing. Please always check for the latest version on the product's page on Hilti's website. To do this, follow the link or scan the QR code in this documentation, marked with the symbol .
- Ensure that these operating instructions are with the product when it is given to other persons.

1.2 Explanation of symbols

1.2.1 Warnings

Warnings alert persons to hazards that occur when handling or using the product. The following signal words are used:

DANGER

DANGER !

- ▶ Draws attention to imminent danger that will lead to serious personal injury or fatality.

WARNING

WARNING !

- ▶ Draws attention to a potential threat of danger that can lead to serious injury or fatality.

CAUTION

CAUTION !

- ▶ Draws attention to a potentially dangerous situation that could lead to personal injury or damage to the equipment or other property.

1.2.2 Symbols in the operating instructions

The following symbols are used in these operating instructions:

	Comply with the operating instructions
	Instructions for use and other useful information
	Dealing with recyclable materials
	Do not dispose of electric equipment and batteries as household waste
	Hilti Li-ion battery
	Hilti charger

1.2.3 Symbols in illustrations

The following symbols are used in illustrations:

- 2** These numbers refer to the illustrations at the beginning of these operating instructions.



3	The numbering reflects the sequence of operations shown in the illustrations and may deviate from the steps described in the text.
⑪	Item reference numbers are used in the overview illustration and refer to the numbers used in the key in the product overview section.
	These characters are intended to specifically draw your attention to certain points when handling the product.

1.3 Product-dependent symbols

1.3.1 Symbols on the product

The following symbols can be used on the product:

	Wear eye protection
n_0	Rated speed under no load
/min	Revolutions per minute
RPM	Revolutions per minute
\varnothing	Diameter
---	Direct current (DC)
	Do not work with the standard guard when carrying out cutting work.
	Always work with both hands.
	The product supports near-field communication (NFC) technology compatible with iOS and Android platforms.
Li-Ion	Li-ion battery
	Never use the battery as a striking tool.
	Do not drop the battery. Never use a battery that has suffered an impact or is damaged in any other way.

1.4 Product information

products are designed for professional users and only trained, authorized personnel are permitted to operate, service and maintain the products. This personnel must be specifically informed about the possible hazards. The product and its ancillary equipment can present hazards if used incorrectly by untrained personnel or if used not in accordance with the intended use.

The type designation and serial number are printed on the rating plate.

- ▶ Write down the serial number in the table below. You will be required to state the product details when contacting Hilti Service or your local Hilti organization to inquire about the product.

Product information

Cordless angle grinder	AG 4S-22-125
Generation	02
Serial no.	

1.5 Declaration of conformity

The manufacturer declares, on his sole responsibility, that the product described here complies with the applicable legislation and standards. A copy of the declaration of conformity can be found at the end of this documentation.

The technical documentation is filed here:

Hilti Entwicklungsgesellschaft mbH | Tool Certification | Hiltistrasse 6 | D-86916 Kaufering, Germany



2 Safety

2.1 General power tool safety warnings

⚠ WARNING Read all safety warnings, instructions, illustrations and specifications provided with this power tool. Failure to follow all instructions listed below may result in electric shock, fire and/or serious injury. **Save all warnings and instructions for future reference.**

The term "power tool" in the warnings refers to your mains-operated (corded) power tool or battery-operated (cordless) power tool.

Work area safety

- ▶ **Keep work area clean and well lit.** Cluttered or dark areas invite accidents.
- ▶ **Do not operate power tools in explosive atmospheres, such as in the presence of flammable liquids, gases or dust.** Power tools create sparks which may ignite the dust or fumes.
- ▶ **Keep children and bystanders away while operating a power tool.** Distractions can cause you to lose control.

Electrical safety

- ▶ **Power tool plugs must match the outlet. Never modify the plug in any way. Do not use any adapter plugs with earthed (grounded) power tools.** Unmodified plugs and matching outlets will reduce risk of electric shock.
- ▶ **Avoid body contact with earthed or grounded surfaces, such as pipes, radiators, ranges and refrigerators.** There is an increased risk of electric shock if your body is earthed or grounded.
- ▶ **Do not expose power tools to rain or wet conditions.** Water entering a power tool will increase the risk of electric shock.
- ▶ **Do not abuse the cord. Never use the cord for carrying, pulling or unplugging the power tool. Keep cord away from heat, oil, sharp edges or moving parts.** Damaged or entangled cords increase the risk of electric shock.
- ▶ **When operating a power tool outdoors, use an extension cord suitable for outdoor use.** Use of a cord suitable for outdoor use reduces the risk of electric shock.
- ▶ **If operating a power tool in a damp location is unavoidable, use a residual current device (RCD) protected supply.** Use of an RCD reduces the risk of electric shock.

Personal safety

- ▶ **Stay alert, watch what you are doing and use common sense when operating a power tool. Do not use a power tool while you are tired or under the influence of drugs, alcohol or medication.** A moment of inattention while operating power tools may result in serious personal injury.
- ▶ **Use personal protective equipment. Always wear eye protection.** Protective equipment such as a dust mask, non-skid safety shoes, hard hat or hearing protection used for appropriate conditions will reduce personal injuries.
- ▶ **Prevent unintentional starting. Ensure the switch is in the off-position before connecting to power source and/or battery pack, picking up or carrying the tool.** Carrying power tools with your finger on the switch or energising power tools that have the switch on invites accidents.
- ▶ **Remove any adjusting key or wrench before turning the power tool on.** A wrench or a key left attached to a rotating part of the power tool may result in personal injury.
- ▶ **Do not overreach. Keep proper footing and balance at all times.** This enables better control of the power tool in unexpected situations.
- ▶ **Dress properly. Do not wear loose clothing or jewellery. Keep your hair and clothing away from moving parts.** Loose clothes, jewellery or long hair can be caught in moving parts.
- ▶ **If devices are provided for the connection of dust extraction and collection facilities, ensure these are connected and properly used.** Use of dust collection can reduce dust-related hazards.
- ▶ **Do not let familiarity gained from frequent use of tools allow you to become complacent and ignore tool safety principles.** A careless action can cause severe injury within a fraction of a second.

Power tool use and care

- ▶ **Do not force the power tool. Use the correct power tool for your application.** The correct power tool will do the job better and safer at the rate for which it was designed.
- ▶ **Do not use the power tool if the switch does not turn it on and off.** Any power tool that cannot be controlled with the switch is dangerous and must be repaired.
- ▶ **Disconnect the plug from the power source and/or remove the battery pack, if detachable, from the power tool before making any adjustments, changing accessories, or storing power tools.** Such preventive safety measures reduce the risk of starting the power tool accidentally.



- ▶ **Store idle power tools out of the reach of children and do not allow persons unfamiliar with the power tool or these instructions to operate the power tool.** Power tools are dangerous in the hands of untrained users.
- ▶ **Maintain power tools and accessories. Check for misalignment or binding of moving parts, breakage of parts and any other condition that may affect the power tool's operation. If damaged, have the power tool repaired before use.** Many accidents are caused by poorly maintained power tools.
- ▶ **Keep cutting tools sharp and clean.** Properly maintained cutting tools with sharp cutting edges are less likely to bind and are easier to control.
- ▶ **Use the power tool, accessories and tool bits etc. in accordance with these instructions, taking into account the working conditions and the work to be performed.** Use of the power tool for operations different from those intended could result in a hazardous situation.
- ▶ **Keep handles and grasping surfaces dry, clean and free from oil and grease.** Slippery handles and grasping surfaces do not allow for safe handling and control of the tool in unexpected situations.

Battery tool use and care

- ▶ **Recharge only with the charger specified by the manufacturer.** A charger that is suitable for one type of battery pack may create a risk of fire when used with another battery pack.
- ▶ **Use power tools only with specifically designated battery packs.** Use of any other battery packs may create a risk of injury and fire.
- ▶ **When battery pack is not in use, keep it away from other metal objects, like paper clips, coins, keys, nails, screws or other small metal objects, that can make a connection from one terminal to another.** Shorting the battery terminals together may cause burns or a fire.
- ▶ **Under abusive conditions, liquid may be ejected from the battery; avoid contact. If contact accidentally occurs, flush with water. If liquid contacts eyes, additionally seek medical help.** Liquid ejected from the battery may cause irritation or burns.
- ▶ **Do not use a battery pack or tool that is damaged or modified.** Damaged or modified batteries may exhibit unpredictable behaviour resulting in fire, explosion or risk of injury.
- ▶ **Do not expose a battery pack or tool to fire or excessive temperature.** Exposure to fire or temperature above 130° C (265 °F) may cause explosion.
- ▶ **Follow all charging instructions and do not charge the battery pack or tool outside the temperature range specified in the instructions.** Charging improperly or at temperatures outside the specified range may damage the battery and increase the risk of fire.

Service

- ▶ **Have your power tool serviced by a qualified repair person using only identical replacement parts.** This will ensure that the safety of the power tool is maintained.
- ▶ **Never service damaged battery packs.** Service of battery packs should only be performed by the manufacturer or authorized service providers.

2.2 Safety instructions for all operations

Safety warnings common for grinding, sanding, wire brushing, polishing or cutting-off operations:

- ▶ **This power tool is intended to function as a grinder, sander, wire brush, polisher, hole cutter or cut-off tool. Read all safety warnings, instructions, illustrations and specifications provided with this power tool.** Failure to follow all instructions listed below may result in electric shock, fire and/or serious injury.
- ▶ **Do not convert this power tool to operate in a way which is not specifically designed and specified by the tool manufacturer.** Such a conversion may result in a loss of control and cause serious personal injury.
- ▶ **Do not use accessories which are not specifically designed and specified by the tool manufacturer.** Just because the accessory can be attached to your power tool, it does not assure safe operation.
- ▶ **The rated speed of the accessory must be at least equal to the maximum speed marked on the power tool.** Accessories running faster than their rated speed can break and fly apart.
- ▶ **The outside diameter and the thickness of your accessory must be within the capacity rating of your power tool.** Incorrectly sized accessories cannot be adequately guarded or controlled.
- ▶ **The dimensions of the accessory mounting must fit the dimensions of the mounting hardware of the power tool.** Accessories that do not match the mounting hardware of the power tool will run out of balance, vibrate excessively and may cause loss of control.
- ▶ **Do not use a damaged accessory. Before each use inspect the accessory such as abrasive wheels for chips and cracks, backing pad for cracks, tear or excess wear, wire brush for loose or cracked wires. If power tool or accessory is dropped, inspect for damage or install an undamaged**



accessory. After inspecting and installing an accessory, position yourself and bystanders away from the plane of the rotating accessory and run the power tool at maximum no-load speed for one minute. Damaged accessories will normally break apart during this test time.

- ▶ **Wear personal protective equipment. Depending on application, use face shield, safety goggles or safety glasses. As appropriate, wear dust mask, hearing protectors, gloves and workshop apron capable of stopping small abrasive or workpiece fragments.** The eye protection must be capable of stopping flying debris generated by various applications. The dust mask or respirator must be capable of filtering particles generated by the particular application. Prolonged exposure to high intensity noise may cause hearing loss.
- ▶ **Keep bystanders a safe distance away from work area. Anyone entering the work area must wear personal protective equipment.** Fragments of workpiece or of a broken accessory may fly away and cause injury beyond immediate area of operation.
- ▶ **Hold the power tool by insulated gripping surfaces only, when performing an operation where the cutting tool may contact hidden wiring.** Contact with a "live" wire will also make exposed metal parts of the power tool "live" and could give the operator an electric shock.
- ▶ **Never lay the power tool down until the accessory has come to a complete stop.** The spinning accessory may grab the surface and pull the power tool out of your control.
- ▶ **Do not run the power tool while carrying it at your side.** Accidental contact with the spinning accessory could snag your clothing, pulling the accessory into your body.
- ▶ **Regularly clean the power tool's air vents.** The motor's fan will draw the dust inside the housing and excessive accumulation of powdered metal may cause electrical hazards.
- ▶ **Do not operate the power tool near flammable materials.** Sparks could ignite these materials.
- ▶ **Do not use accessories that require liquid coolants.** Using water or other liquid coolants may result in electrocution or shock.

Kickback and related warnings

Kickback is a sudden reaction to a pinched or snagged rotating wheel, backing pad, brush or any other accessory. Pinching or snagging causes rapid stalling of the rotating accessory which in turn causes the uncontrolled power tool to be forced in the direction opposite of the accessory's rotation at the point of the binding.

For example, if an abrasive wheel is snagged or pinched by the workpiece, the edge of the wheel that is entering into the pinch point can dig into the surface of the material causing the wheel to climb out or kick out. The wheel may either jump toward or away from the operator, depending on direction of the wheel's movement at the point of pinching. Abrasive wheels may also break under these conditions.

Kickback is the result of power tool misuse and / or incorrect operating procedures or conditions and can be avoided by taking proper precautions as given below.

- ▶ **Maintain a firm grip with both hands on the power tool and position your body and arms to allow you to resist kickback forces. Always use auxiliary handle, if provided, for maximum control over kickback or torque reaction during start-up.** The operator can control torque reactions or kickback forces, if proper precautions are taken.
- ▶ **Never place your hand near the rotating accessory.** Accessory may kickback over your hand.
- ▶ **Do not position your body in the area where power tool will move if kickback occurs.** Kickback will propel the tool in direction opposite to the wheel's movement at the point of snagging.
- ▶ **Use special care when working corners, sharp edges etc. Avoid bouncing and snagging the accessory.** Corners, sharp edges or bouncing have a tendency to snag the rotating accessory and cause loss of control or kickback.
- ▶ **Do not attach a saw chain woodcarving blade, segmented diamond wheel with a peripheral gap greater than 10 mm or toothed saw blade.** Such blades create frequent kickback and loss of control.

Safety warnings specific for grinding and cutting-off operations:

- ▶ **Use only wheel types that are specified for your power tool and the specific guard designed for the selected wheel.** Wheels for which the power tool was not designed cannot be adequately guarded and are unsafe.
- ▶ **The grinding surface of centre depressed wheels must be mounted below the plane of the guard lip.** An improperly mounted wheel that projects through the plane of the guard lip cannot be adequately protected.
- ▶ **The guard must be securely attached to the power tool and positioned for maximum safety, so the least amount of wheel is exposed towards the operator.** The guard helps to protect the operator from broken wheel fragments, accidental contact with wheel and sparks that could ignite clothing.



- ▶ **Wheels must be used only for specified applications. For example: do not grind with the side of cut-off wheel.** Abrasive cut-off wheels are intended for peripheral grinding, side forces applied to these wheels may cause them to shatter.
- ▶ **Always use undamaged wheel flanges that are of correct size and shape for your selected wheel.** Proper wheel flanges support the wheel thus reducing the possibility of wheel breakage. Flanges for cut-off wheels may be different from grinding wheel flanges.
- ▶ **Do not use worn down wheels from larger power tools.** A wheel intended for larger power tool is not suitable for the higher speed of a smaller tool and may burst.
- ▶ **When using dual purpose wheels always use the correct guard for the application being performed.** Failure to use the correct guard may not provide the desired level of guarding, which could lead to serious injury.

Additional safety warnings specific for cutting-off operations:

- ▶ **Do not "jam" the cut-off wheel or apply excessive pressure. Do not attempt to make an excessive depth of cut.** Overstressing the wheel increases the loading and susceptibility to twisting or binding of the wheel in the cut and the possibility of kickback or wheel breakage.
- ▶ **Do not position your body in line with and behind the rotating wheel.** When the wheel, at the point of operation, is moving away from your body, the possible kickback may propel the spinning wheel and the power tool directly at you.
- ▶ **When the wheel is binding or when interrupting a cut for any reason, switch off the power tool and hold it motionless until the wheel comes to a complete stop. Never attempt to remove the cut-off wheel from the cut while the wheel is in motion otherwise kickback may occur.** Investigate and take corrective action to eliminate the cause of wheel binding.
- ▶ **Do not restart the cutting operation in the workpiece. Let the wheel reach full speed and carefully re-enter the cut.** The wheel may bind, walk up or kickback if the power tool is restarted in the workpiece.
- ▶ **Support panels or any oversized workpiece to minimize the risk of wheel pinching and kickback.** Large workpieces tend to sag under their own weight. Supports must be placed under the workpiece near the line of cut and near the edge of the workpiece on both sides of the wheel.
- ▶ **Use extra caution when making a "pocket cut" into existing walls or other blind areas.** The protruding wheel may cut gas or water pipes, electrical wiring or objects that can cause kickback.
- ▶ **Do not attempt to do curved cutting.** Overstressing the wheel increases the loading and susceptibility to twisting or binding of the wheel in the cut and the possibility of kickback or wheel breakage, which can lead to serious injury.

Safety warnings specific for sanding operations:

- ▶ **Use proper sized sanding disc paper. Follow manufacturers recommendations, when selecting sanding paper.** Larger sanding paper extending too far beyond the sanding pad presents a laceration hazard and may cause snagging, tearing of the disc or kickback.

Safety warnings specific for polishing operations:

- ▶ **Do not allow any loose portion of the polishing bonnet or its attachment strings to spin freely. Tuck away or trim any loose attachment strings.** Loose and spinning attachment strings can entangle your fingers or snag on the workpiece.

Safety warnings specific for wire brushing operations:

- ▶ **Be aware that wire bristles are thrown by the brush even during ordinary operation. Do not overstress the wires by applying excessive load to the brush.** The wire bristles can easily penetrate light clothing and / or skin.
- ▶ **If the use of a guard is specified for wire brushing, do not allow any interference of the wire wheel or brush with the guard.** Wire wheel or brush may expand in diameter due to work load and centrifugal forces.

2.3 Additional safety instructions

Personal safety

- ▶ Use the product and accessories only when they are in perfect working order.
- ▶ Never tamper with or modify the product or accessories in any way.
- ▶ Always hold the product with both hands on the grips provided. Keep the grips dry, clean and free from oil and grease.
- ▶ Respiratory protection must be worn if the product is used without a dust removal system for work that creates dust.
- ▶ Take frequent breaks and do physical exercises to improve the blood circulation in your fingers. High vibration during long periods of work can lead to disorders of the blood vessels and nervous system in the fingers, hands and wrists.



- ▶ Do not touch rotating parts. Switch the product on only after it is in position at the workpiece. Touching rotating parts, especially rotating accessory tools, can result in injury.
- ▶ Wait until the product stops completely before you lay it down.
- ▶ The product is not intended for use by debilitated persons who have received no special training. Keep the product out of reach of children.
- ▶ Dust produced by grinding, sanding, cutting and drilling can contain dangerous chemicals. Some examples are: lead or lead-based paints; brick, concrete and other masonry products, natural stone and other products containing silicates; certain types of wood, such as oak, beech and chemically treated wood; asbestos or materials that contain asbestos. Determine the exposure of the operator and bystanders by means of the hazard classification of the materials to be worked. Implement the necessary measures to restrict exposure to a safe level, for example by the use of a dust collection system or by the wearing of suitable respiratory protection. The general measures for reducing exposure include:
 - ▶ working in an area that is well ventilated,
 - ▶ avoidance of prolonged contact with dust,
 - ▶ directing dust away from the face and body,
 - ▶ wearing protective clothing and washing exposed areas of the skin with water and soap.
- ▶ The user and the other persons in the vicinity must wear eye protection, a hard hat and ear protection while the product is in use.
- ▶ Wear protective gloves when changing the accessory tool. Touching the accessory tool can result in cuts and burns.
- ▶ Risk of injury by falling tools and/or accessories. Before starting work, check that the battery and installed accessories are secure.
- ▶ Keep the air vents clear at all times. Risk of burn injuries due to blocked air vents!
- ▶ Switch the product on only after you have brought it to the working position.
- ▶ Wait until the product stops completely before you lay it down.
- ▶ If the product detects operation beyond its limits or a discharged battery, there is a possibility that the tool will no longer be braked by the motor.
- ▶ Do not attach a belt hook to this product.

Power tool use and care

- ▶ Grinding discs must be stored and handled carefully in accordance with the manufacturer's instructions.
- ▶ Never use the product without the guard.
- ▶ Secure the workpiece. Use clamps or a bench vise to hold the workpiece in position. The workpiece is thus held more securely than by hand and both hands remain free to operate the product.
- ▶ Do not use cut-off wheels for grinding.
- ▶ Tighten the accessory tool and flange securely. If the accessory tool and flange are not tightened securely, the accessory tool may work loose from the arbor due to the braking effect of the motor after switching off.

Electrical safety

- ▶ Before beginning work, check the working area for concealed electric cables or gas and water pipes. External metal parts of the product could give you an electric shock or cause an explosion if you accidentally damage an electric cable or a gas or water pipe.
- ▶ Dirty or dusty products that have been used frequently for work on conductive materials should be checked at regular intervals by **Hilti Service**. Dust (especially dust from conductive materials) or dampness adhering to the surface of the power tool may, under unfavorable conditions, lead to electric shock.

Workplace

- ▶ Apply appropriate safety measures at the opposite side of the workpiece in work that involves breaking through. Pieces of debris could drop out and / or fall down and injure other persons.
- ▶ Slits cut in load-bearing walls of buildings or other structures may influence the statics of the structure, especially when steel reinforcing bars or load-bearing components are cut through. Consult the responsible structural engineer, architect or person in charge of the building project before beginning the work.

Additional notes on the use of the guards

To avoid the risks below always use the correct guard, see the section headed: "Suitability of wheels for the equipment used".

- ▶ If the Standard guard with front cover is used for surface grinding, the guard can touch the workpiece and thus lead to loss of control.



- ▶ If a wire brush of a thickness exceeding the maximum permissible thickness is used, the wires can snag on the guard and break.
- ▶ If the standard guard is used for cutting off metal with an abrasive cut-off wheel, there is an increased risk of exposure to sparks and particles and to wheel fragments if the wheel breaks.
- ▶ If the standard guard is used with or without front cover for cutting or for grinding concrete or masonry, there is a higher dust load and an increased risk of losing control of the product, which can lead to kickbacks.

2.4 Careful handling and use of batteries

- ▶ **Comply with the following safety instructions for the safe handling and use of Li-ion batteries.** Failure to comply can lead to skin irritation, severe corrosive injury, chemical burns, fire and/or explosion.
- ▶ Use only batteries that are in perfect working order.
- ▶ Treat batteries with care in order to avoid damage and prevent leakage of fluids that are extremely harmful to health!
- ▶ Do not under any circumstances modify or tamper with batteries!
- ▶ Do not disassemble, crush or incinerate batteries and do not subject them to temperatures over 80 °C (176 °F).
- ▶ Never use or charge a battery that has suffered an impact or been damaged in any other way. Check your batteries regularly for signs of damage.
- ▶ Never use recycled or repaired batteries.
- ▶ Never use the battery or a battery-operated power tool as a striking tool.
- ▶ Never expose batteries to the direct rays of the sun, elevated temperature, sparking, or open flame. This can lead to explosions.
- ▶ Do not touch the battery poles with your fingers, tools, jewelry, or other electrically conductive objects. This can damage the battery and also cause material damage and personal injury.
- ▶ Keep batteries away from rain, moisture and liquids. Penetrating moisture can cause short circuits, electric shock, burns, fire and explosions.
- ▶ Use only chargers and power tools approved for the specific battery type. Read and follow the relevant operating instructions.
- ▶ Do not use or store the battery in explosive environments.
- ▶ If the battery is too hot to touch, it may be defective. Put the battery in a place where it is clearly visible and where there is no risk of fire, at an adequate distance from flammable materials. Allow the battery to cool down. If it is still too hot to touch after an hour, the battery is faulty. Consult **Hilti** Service or read the document entitled "Instructions on safety and use for **Hilti** Li-ion batteries".



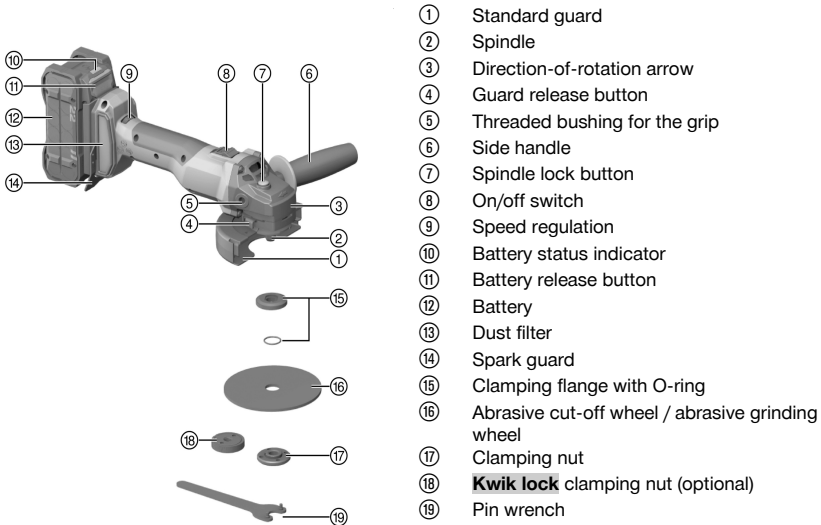
Observe the special guidelines applicable to the transport, storage and use of lithium-ion batteries.
→ page 18

Read the instructions on safety and use of **Hilti** Li-ion batteries that you can access by scanning the QR code at the end of these operating instructions.



3 Description

3.1 Product overview



- ① Standard guard
- ② Spindle
- ③ Direction-of-rotation arrow
- ④ Guard release button
- ⑤ Threaded bushing for the grip
- ⑥ Side handle
- ⑦ Spindle lock button
- ⑧ On/off switch
- ⑨ Speed regulation
- ⑩ Battery status indicator
- ⑪ Battery release button
- ⑫ Battery
- ⑬ Dust filter
- ⑭ Spark guard
- ⑮ Clamping flange with O-ring
- ⑯ Abrasive cut-off wheel / abrasive grinding wheel
- ⑰ Clamping nut
- ⑱ **Kwik lock** clamping nut (optional)
- ⑲ Pin wrench

3.2 Intended use

The product described is a hand-held cordless angle grinder. It is designed for cutting and grinding metal and mineral materials, brushing and sandpapering, all without the use of water. It can be used only for dry grinding / cutting.

- For this product, use only **Hilti** Nuron lithium-ion batteries of the B 22 series. For optimum performance, **Hilti** recommends the batteries stated in the table at the end of these operating instructions for this product.
- For these batteries, use only **Hilti** chargers of the type series stated in the table at the end of these operating instructions.

3.3 Items supplied

Angle grinder, side handle, standard guard, front cover, clamping flange, clamping nut, pin wrench, dust filter, operating instructions.

Other system products approved for use with this product can be found at your local **Hilti Store** or at: www.hilti.group

3.4 ATC

The product is equipped with the ATC (Active Torque Control) quick-acting electronic cut-out. If the accessory tool sticks or stalls, the product will suddenly pivot about its own axis in the opposite direction. ATC detects this sudden pivoting movement of the product and switches the product off immediately.

- For ATC to function correctly, the product must be free to pivot.
- After an ATC cut-out, switch the product off and then on again.

3.5 Motor protection function

The motor protection function monitors current consumption and motor temperature and prevents the product from overheating.

If the motor is overloaded through application of excessive working pressure, the product's performance drops noticeably or it might stall completely.



i If the power tool stalls or slows significantly due to overloading, release the pressure applied to the product and then allow it to run under no load for approx. 30 seconds.

3.6 Integrated brake

The integrated brake reduces the time it takes until the accessory tool stops rotating after switching off.

i This functions correctly only as long as the product is supplied with electric current.
Braking time varies, depending on the selected accessory tool.

3.7 Front cover 2

Use the standard guard with front cover for the applications listed below:

- Grinding with straight grinding discs
- Cutting with cut-off wheels

3.8 DC-EX 125/5" C compact dust hood for cutting (accessory) 3

When cutting mineral materials with diamond cut-off wheels, use the DC-EX 125/5" C compact hood. Use of this guard for working on metal is not permissible.

3.9 DC-EX 125/5" M dust hood for cutting (accessory) 4

The power tool must be equipped with a dust hood when mineral materials are cut or slit with diamond cut-off wheels.

CAUTION Use of this hood for working on metal is prohibited.

3.10 DG-EX 125/5" dust hood for grinding (accessory) 5

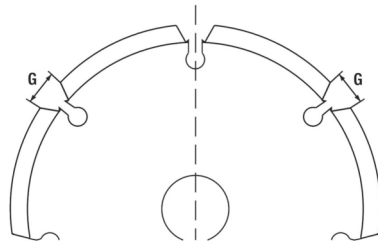
The grinding system is suitable only for occasional use with diamond cup wheels for grinding mineral materials.

Use of this guard for working on metal is not permissible.

3.11 Dimensions and format of suitable diamond slitting wheels

Diamond slitting wheels must meet the following requirements in terms of dimensions and format.

Technical data	
Slot width between segments (G)	≤ 10 mm
Cutting angle	Negative



3.12 Status indicators of the Li-ion battery

Hilti Nuron Li-ion batteries can indicate state of charge, fault messages and the battery's state of health.

3.12.1 Indicators for state of charge and fault messages

WARNING

Risk of injury by a falling battery!

- ▶ If the release button is pressed with a battery inserted in the product, subsequently check that the battery is correctly re-engaged and secure.

Short-press the release button of the battery to get whichever of the following status indications is applicable at the time.

State of charge and, if applicable, faults are indicated constantly as long as the connected product is switched on.



Status	Meaning
Four (4) LEDs show constantly green	State of charge: 100 % to 71 %
Three (3) LEDs show constantly green	State of charge: 70 % to 51 %
Two (2) LEDs show constantly green	State of charge: 50 % to 26 %
One (1) LED shows constantly green	State of charge: 25 % to 10 %
One (1) LED slow-flashes green	State of charge: < 10 %
One (1) LED quick-flashes green	The Li-ion battery is completely discharged. Recharge the battery. If the LED again starts quick-flashing after the battery has been charged, consult Hilti Service .
One (1) LED quick-flashes yellow	The Li-ion battery or the product in which it is inserted is overloaded, too hot or too cold, or experiencing some other fault. Bring the product and the battery to the recommended working temperature and do not overload the product when it is in use. If the message persists, consult Hilti Service .
One (1) LED shows yellow	The Li-ion battery and the product in which it is inserted are not compatible. Consult Hilti Service .
One (1) LED quick-flashes red	The Li-ion battery is locked and cannot be used. Consult Hilti Service .

3.12.2 Indicators showing the battery's state of health

To check the battery's state of health, press the release button and hold it down for longer than three seconds. The system does not detect a potential malfunction of the battery due to misuse, for example battery dropped or pierced, external heat damage, etc.

Status	Meaning
All LEDs show in sequence, followed by one (1) LED showing constantly green.	The battery can remain in use.
All LEDs show in sequence, followed by one (1) LED quick-flashing yellow.	The check to ascertain the battery's state of health did not complete. Repeat the procedure, or consult Hilti Service .
All LEDs show in sequence, followed by one (1) LED showing constantly red.	If a connected product can still be used, the remaining battery capacity is below 50 %. If a connected product can no longer be used, the battery has reached the end of its useful life and has to be replaced. Consult Hilti Service .

4 Consumables

Use only synthetic resin-bonded, fiber-reinforced wheels with maximum \varnothing 125 mm approved for a rotational speed of at least 11000 rpm and a peripheral speed of 80 m/s.

ATTENTION! When cutting or slitting with abrasive cut-off wheels always use the standard guard with the additional front cover, or a fully enclosing dust hood.

Wheels

Type	Application	Designation	Material	max. thickness	max. diameter
Abrasive cut-off wheel	Cutting, slitting	AC-D	Metal	2.5 mm	125 mm
Diamond cut-off wheel	Cutting, slitting	DC-TP, DC-D (SPX, SP, P)	Mineral	3 mm	125 mm
Abrasive grinding wheel	Rough grinding	AG-D, AF-D, AN-D	Metal	6.4 mm	125 mm
Diamond grinding wheel	Rough grinding	DG-CW (SPX, SP, P)	Mineral	-	125 mm



Type	Application	Designation	Material	max. thickness	max. diameter
Wire brush	Wire brushes	3CS, 4CS, 3SS, 4SS	Metal	- 27 mm	75 mm 125 mm
Diamond core bit	Hole cutting in tiles	DD-M14	Mineral	-	125 mm
Abrasive resin-fiber wheel	Rough grinding	AP-D	Metal	-	125 mm

Suitability of wheels for the equipment used

Item	Equipment	AC-D	AP-D	AG-D, AF-D, AN-D	DG-CW (SPX, SP, P)	DC-TP, DC-D (SPX, SP, P)	3CS, 4CS, 3SS, 4SS, DD-M14
A	Guard (standard)	✓	✓	✓	✓	✓	✓
B	Front cover (in combination with A)	✓	—	—	—	✓	—
C	Dust hood (grinding) DG-EX 125/5"	—	—	—	✓	—	—
D	Dust hood (cutting) DC-EX 125/5"C (in combination with A)	—	—	—	—	✓	—
E	DC-EX 125/5"M dust hood for slitting	—	—	—	—	✓	—
F	DC-EX SL adapter (in combination with E)	—	—	—	—	✓	—
G	Side handle (standard)	✓	✓	✓	✓	✓	✓
H	Clamping nut (standard)	✓	—	✓	✓	✓	—
I	Clamping flange (standard)	✓	—	✓	✓	✓	—
J	Kwik lock (optional instead of H)	✓	—	✓	—	✓	—
K	Clamping nut (abrasive resin-fiber wheel)	—	✓	—	—	—	—
L	Support plate (abrasive resin-fiber wheel)	—	✓	—	—	—	—

5 Technical data

	AG 4S-22-125
Rated voltage	21.6 V
Rated speed	8,500 /min
Maximum wheel diameter	125 mm
Weight in accordance with EPTA procedure 01, without battery	2.1 kg
Drive spindle thread	M14
Spindle length	22 mm
Ambient temperature for operation	-17 °C ... 60 °C (1 °F ... 140 °F)
Storage temperature	-20 °C ... 70 °C (-4 °F ... 158 °F)



5.1 Battery

Battery operating voltage	21.6 V
Weight, battery	See the end of these operating instructions
Ambient temperature for operation	-17 °C ... 60 °C (1 °F ... 140 °F)
Storage temperature	-20 °C ... 40 °C (-4 °F ... 104 °F)
Battery charging starting temperature	-10 °C ... 45 °C (14 °F ... 113 °F)

5.2 Noise information and vibration values in accordance with 62841-2-3:2021

The sound pressure and vibration values given in these instructions have been measured in accordance with a standardized test and may be used to compare one power tool with another. They may be used for a preliminary assessment of exposure.

The data given represent the main applications of the power tool. However, if the power tool is used for different applications, with different accessory tools, or is poorly maintained, the data can vary. This can significantly increase exposure over the total working period.

An accurate estimation of exposure should also take into account the times when the power tool is switched off, or when it is running but not actually being used for a job. This can significantly reduce exposure over the total working period.

Identify additional safety measures to protect the operator from the effects of noise and/or vibration, for example: Maintaining the power tool and accessory tools, keeping the hands warm, organization of work patterns.

Grinding thin sheet metal or other large-area structures prone to vibration can lead to increased noise emissions higher than the stated noise emission values. You can reduce the noise emissions produced in this way by adopting noise-reducing measures such as the application of heavy, flexible insulating mats. Always take these increased values into consideration as well in the hazard assessment of noise exposure and in the choice of suitable hearing protection.

Noise information

	AG 4S-22-125
Emission sound pressure level (L_{pA})	89 dB(A)
Uncertainty for the sound pressure level (K_{pA})	3 dB(A)
Sound power level (L_{WA})	97 dB(A)
Uncertainty for the sound power level (K_{WA})	3 dB(A)

Vibration information

Other applications, such as cutting, may produce vibration values that deviate from the given values.

		AG 4S-22-125
Surface grinding ($a_{h,AG}$)	B 22-55	5.1 m/s ²
	B 22-255	5.4 m/s ²
Uncertainty (K)		1.5 m/s ²

6 Preparations at the workplace

WARNING

Risk of injury by inadvertent starting!

- ▶ Before inserting the battery, make sure that the product is switched off.
- ▶ Remove the battery before making any adjustments to the power tool or before changing accessories.

Observe the safety instructions and warnings in this documentation and on the product.



6.1 Charging the battery

1. Before charging the battery, read the operating instructions for the charger.
2. Make sure that the contacts on the battery and the contacts on the charger are clean and dry.
3. Use an approved charger to charge the battery. → page 9

6.2 Inserting the battery

WARNING


Risk of injury by short circuit or falling battery!

- ▶ Before inserting the battery, make sure that the contacts on the battery and the contacts on the product are free of foreign matter.
 - ▶ Make sure that the battery always engages correctly.
-
1. Charge the battery fully before using it for the first time.
 2. Push the battery into the product until it engages with an audible click.
 3. Check that the battery is seated securely.

6.3 Removing the battery

1. Press the battery release button.
2. Remove the battery from the product.

6.4 Installing the Hilti retaining strap (optional)

-  When working with the product, you must comply with national regulations for working at heights. Comply with the operating instructions of the retaining strap.
-


1. Position the two tabs of the retaining strap accurately on the spark guard.
2. Secure the retaining strap with the corresponding screws through the holes provided in the spark guard.
3. Insert the battery. → page 14

6.5 Fall arrest

WARNING

Risk of injury by falling tool and/or accessory!

- ▶ Use only the **Hilti** tool tether recommended for your product.
 - ▶ Prior to each use, always check the attachment point of the tool tether for possible damage.
-

-  Comply with the national regulations for working at heights.
-

As drop arrester for this product, use only a combination of the **Hilti** retaining strap #2293133 and the **Hilti** tool tether #2261970.

- ▶ Secure the retaining strap to the installation openings for accessories. Check that it holds securely.
 - ▶ Secure one carabiner of the tool tether to the retaining strap and secure the second carabiner to a load-bearing structure. Check that both carabiners hold securely.
-

-  Comply with the operating instructions of the **Hilti** retaining strap and those of the **Hilti** tool tether.
-

6.6 Fitting the side handle

- ▶ Screw the side handle into one of the threaded bushings provided.



6.7 Fitting or removing the guard

CAUTION

Risk of injury. The accessory tool may be hot or have sharp edges.

- ▶ Wear protective gloves when fitting, removing or adjusting the accessory tool or other parts and when troubleshooting.

- ▶ Observe the instructions for fitting the applicable guard.

6.7.1 Installing standard guard

The guard has coded locating lugs to ensure that only a guard suitable for use with the product can be installed. The coded locating lugs of the guard fit into the guard mount on the product.

1. Fit the guard on to the arbor collar so that the two triangular marks on the guard and on the product are in alignment.
2. Press the guard on to the drive spindle collar.
3. Press the guard release button and turn the guard until it engages in the desired position.
 - ▶ The guard release button jumps back.

6.7.2 Adjusting standard guard

- ▶ Press the guard release button and then rotate the guard until it engages in the desired position.

6.7.3 Removing standard guard

1. Press the guard release button and turn the guard until the triangular marks on the guard and on the product are in alignment.
2. Remove the guard.

6.8 Fitting or removing the front cover

The front cover must be in position on the standard guard.

1. Position the front cover, with the closed side facing up, on the standard guard.
 - ▶ The lock must engage with an audible click.
2. To remove, open the lock of the front cover.
3. Remove the front cover from the standard guard.

6.9 Fitting and removing accessory tools

CAUTION

Risk of injury. The accessory tool may be hot.

- ▶ Wear protective gloves when changing the accessory tool.

Diamond wheels must be replaced when their cutting or grinding performance drops significantly. This generally is the case when the segments reach a height of less than 2 mm.

Other wheels must be replaced when their cutting performance drops significantly or other parts of the angle grinder (not the wheel) come into contact with the material you are working on.

Abrasive wheels must be replaced when their expiry date has been reached.

6.9.1 Installing accessory tool

WARNING

Risk of injury. The accessory tool may work loose due to the braking effect of the motor.

- ▶ Wait until the accessory tool has come to a standstill before touching or gripping the accessory tool or the clamping nut.
- ▶ Secure the accessory tool by tightening the clamping flange and clamping nut firmly so that no parts work loose from the spindle due to the braking effect of the motor.



1. Clean the clamping flange and the clamping nut.
2. Check that the O-ring is in place in the clamping flange and that it is undamaged.
 - ▶ Replace the O-ring if it is missing or damaged.
3. Fit the clamping flange on to the spindle (keyed fit to prevent slipping and rotation).
4. Fit the accessory tool.
5. Screw on the clamping nut corresponding to the type of accessory tool fitted.
6. Press the spindle lock button and hold it in this position.
7. Use the pin wrench to tighten the clamping nut securely, then release the spindle lock button and remove the wrench.

6.9.2 Removing the accessory tool

WARNING

Risk of breakage and irreparable damage. If the spindle lockbutton is pressed while the spindle is rotating, the accessory tool can detach from the power tool.

- ▶ Press the spindle lockbutton only when the spindle has stopped rotating.


1. Press the spindle lock button and hold it in this position.
2. Release the clamping nut by gripping it with the wrench and turning the nut counterclockwise.
3. Release the spindle lock button and remove the accessory tool.

6.9.3 Installing Kwik lock

WARNING


Risk of breakage. Heavy wear (abrasion) may cause the **Kwik lock** nut to break.

- ▶ When working with the power tool, make sure that the **Kwik lock** nut doesn't come into contact with the working surface.
- ▶ Do not use a damaged **Kwik lock** nut.

 The optional **Kwik lock** nut can be used instead of the standard clamping nut. Accessory tools (wheels etc.) can then be changed without need for additional tools (keyless system).

1. Clean the clamping flange and the clamping nut.
2. Check that the O-ring is in place in the clamping flange and that it is undamaged.
 - ▶ Replace the O-ring if it is missing or damaged.
3. Fit the clamping flange on to the spindle (keyed fit to prevent slipping and rotation).
4. Fit the accessory tool.
5. Screw on the **Kwik lock** nut until it is seated against the accessory tool.
 - ▶ The name **Kwik lock** should be visible when the nut is screwed on.
6. Press and hold down the spindle lock button.
7. Firmly turn the accessory tool by hand clockwise until the **Kwik lock** nut is tight.
8. Release the spindle lock button.

6.9.4 Removing Kwik lock

 If the **Kwik lock** quick-release lock nut cannot be released by turning it by hand, use a pin wrench to turn the nut counter-clockwise. Never use a pipe wrench or an adjustable wrench of any kind. Use of the wrong tool can damage the **Kwik lock** quick-release lock nut.

1. Press the spindle lock button.
2. Release the **Kwik lock** nut by turning it counterclockwise by hand.
3. Release the spindle lock button and remove the accessory tool.

6.9.5 Fitting the core bit

1. Fit the side handle. → page 14
2. Install the standard guard.
3. Place the core bit in position and tighten it hand-tight.
4. Press the spindle lock button and hold it in this position.
5. Tighten the core bit with a suitable open-end wrench.



- Then release the spindle lock button and remove the open-end wrench.

6.9.6 Fitting the wire brush

- Fit the side handle. → page 14
- Install the standard guard.
- Place the wire brush in position and tighten it hand-tight.
- Press the spindle lock button and hold it in this position.
- Tighten the wire brush with a suitable open-end wrench.
- Then release the spindle lock button and remove the open-end wrench.

6.9.7 Fitting the abrasive resin-fiber wheel

- Fit the side handle. → page 14
- Install the standard guard.
- Fit the support plate and the abrasive resin-fiber wheel, screw on the clamping nut and tighten it securely.
- Press the spindle lock button and hold it in this position.
- Use the pin wrench to tighten the clamping nut.
- Release the spindle lock button and remove the pin wrench.

7 Operation

7.1 Switching on

- Press the rear section of the on/off switch.
- Slide the on/off switch forward.
 - The motor runs.
- Lock the on/off switch.

7.2 Grinding

WARNING

Risk of injury. The accessory tool may suddenly stick or stall.

- Use the product with the side handle fitted and always hold the product securely with both hands.

Do not allow the accessory tool to jam and avoid excessive pressure on the product.

7.3 Cutting

- When cutting, keep the rate of advance moderate and do not tilt the product or the cut-off wheel to either side (working position is at approx. 90° to the cutting plane).



For best results when cutting profiles and small rectangular tube, start cutting with the cut-off wheel at the smallest cross-section.

7.4 Rough grinding

WARNING

Risk of injury. The abrasive cut-off wheel could shatter and flying fragments may cause injury.

- Never use abrasive cut-off wheels for grinding.
- Move the product to and fro while maintaining a 5° to 30° angle of attack and applying moderate pressure.
 - This will avoid overheating and discoloration of the workpiece and help ensure an even surface finish.

7.5 Switching off

- Press the rear section of the on/off switch.
 - The on/off switch jumps into the off position and the motor stops.



8 Care and maintenance

WARNING

Risk of injury with battery inserted !

- ▶ Always remove the battery before carrying out care and maintenance tasks!
-

DANGER

Electric shock due to breakdown of protective insulation. When working on metal under extreme conditions, conductive dust (e.g. metal, carbon fiber) may accumulate inside the power tool, thereby adversely affecting the protective insulation.

- ▶ Use a stationary dust extraction system when working under extreme conditions.
 - ▶ Clean the air vents frequently.
-

Care of the product

- Carefully remove stubborn dirt.
- Use only a slightly damp cloth to clean the housing. Do not use cleaning agents containing silicone as these can attack the plastic parts.
- Use a dry, clean cloth to clean the contacts of the product.

Care of the Li-ion batteries

- Never use a battery with clogged air vents. Clean the air vents carefully using a dry, soft brush.
- Avoid unnecessary exposure of the battery to dust and dirt. Never expose the battery to high levels of moisture (e.g. by being dipped in water or left in the rain).
If a battery has been soaked by moisture, treat it as a damaged battery. Isolate it in a non-flammable container and consult **Hilti Service**.
- Keep the battery free of extraneous oil and grease. Do not permit dust or dirt to accumulate unnecessarily on the battery. Clean the battery with a dry, soft brush or a clean, dry cloth. Do not use cleaning agents containing silicone as these can attack the plastic parts.
Do not touch the contacts of the battery and do not remove the factory-applied grease from the contacts.
- Use only a slightly damp cloth to clean the housing. Do not use cleaning agents containing silicone as these can attack the plastic parts.

Maintenance

- Check all visible parts and controls for signs of damage at regular intervals and make sure that they all function correctly.
 - Do not use the product if signs of damage are found or if parts malfunction. Immediately have the product repaired by **Hilti Service**.
 - After cleaning and maintenance, install all guards and protective devices and check that they are in full working order.
-



To help ensure safe and reliable operation, use only genuine Hilti spare parts and consumables. Spare parts, consumables and accessories approved by **Hilti** for use with your product can be found at your **Hilti Store** or online at: www.hilti.group

9 Transport and storage of cordless tools and batteries

Transport

CAUTION

Accidental starting during transport !

- ▶ Always transport your products with the batteries removed!
-
- ▶ Remove the battery/batteries.
 - ▶ Never transport batteries loose and unprotected. During transport, batteries should be protected from excessive shock and vibration and isolated from any conductive materials or other batteries that may come in contact with the terminals and cause a short circuit. **Comply with the locally applicable regulations for transporting batteries.**
 - ▶ Do not send batteries through the mail. Consult your shipper for instructions on how to ship undamaged batteries.
 - ▶ Prior to each use and before and after prolonged transport, check the product and the batteries for damage.



Storage



WARNING

Accidental damage caused by defective or leaking batteries !

- ▶ Always store your products with the batteries removed!
-
- ▶ Store the product and the batteries in a cool and dry place. Comply with the temperature limits stated in the technical data.
 - ▶ Do not store batteries on the charger. Always remove the battery from the charger when the charging operation has completed.
 - ▶ Never leave batteries in direct sunlight, on sources of heat, or behind glass.
 - ▶ Store the product and batteries where they cannot be accessed by children or unauthorized persons.
 - ▶ Prior to each use and before and after prolonged storage, check the product and the batteries for damage.

10 Troubleshooting

If a problem occurs, always observe the charge-status and fault indicator of the battery. See the section headed **Status indicators of the Li-ion battery**.

If the trouble you are experiencing is not listed in this table or you are unable to rectify the problem by yourself, contact **Hilti Service**.

Trouble or fault	Possible cause	Action to be taken
The product can't be switched on.	Battery is discharged.	▶ Change the battery and charge the empty battery.
The battery runs down more quickly than usual.	Very low ambient temperature.	▶ Allow the battery to warm up slowly to room temperature.
The battery doesn't engage with an audible click.	The retaining lug on the battery is dirty.	▶ Clean the retaining lug and re-insert the battery.
The angle grinder or battery gets very hot.	Electrical fault	▶ Switch the product off immediately, remove the battery, keep it under observation, allow it to cool down and contact Hilti Service .
	Clogged air vents	▶ Regularly clean the air vents.
The motor has no braking effect.	Battery is discharged.	▶ Change the battery and charge the empty battery.
	Product is momentarily overloaded.	▶ Switch the product off and then on again.

11 Disposal



WARNING

Risk of injury due to incorrect disposal! Health hazards due to escaping gases or liquids.

- ▶ DO NOT send batteries through the mail!
- ▶ Cover the terminals with a non-conductive material (such as electrical tape) to prevent short circuiting.
- ▶ Dispose of your battery out of the reach of children.
- ▶ Dispose of the battery at your **Hilti Store**, or consult your local governmental garbage disposal or public health and safety resources for disposal instructions.

Most of the materials from which **Hilti** products are manufactured can be recycled. The materials must be correctly separated before they can be recycled. In many countries, your old tools, machines or appliances can be returned to **Hilti** for recycling. Ask **Hilti Service** or your Hilti sales representative for further information.



- ▶ Do not dispose of power tools, electronic equipment or batteries as household waste!



12 Manufacturer's warranty

- ▶ Please contact your local Hilti representative if you have questions about the warranty conditions.

13 Further information


For more information on operation, technology, environment and recycling, follow this link: qr.hilti.com/manual/?id=2252233&id=2252235&id=2251374

This link is also to be found at the end of the documentation, in the form of a QR code.

Original brugsanvisning

1 Om brugsanvisningen

1.1 Om denne brugsanvisning

- **Advarsel!** Før du bruger produktet, skal du sikre dig, at du har læst og forstået produktets medfølgende brugsanvisning inklusive anvisninger, sikkerhedsanvisninger og advarsler, billeder og specifikationer. Sørg især for at blive fortrolig med alle anvisninger, sikkerhedsanvisninger og advarsler, billeder, specifikationer samt bestanddele og funktioner. Hvis du ikke gør det, er der risiko for at få elektrisk stød, brandfare og/eller risiko for alvorlige personskader. Gem brugsanvisningen inklusive alle anvisninger, sikkerhedsanvisninger og advarsler til senere brug.
- **HILTI**-produkter er beregnet til professionel brug og må kun betjenes, efterses og vedligeholdes af autoriseret og instrueret personale. Dette personale skal i særdeleshed informeres om de potentielle farer, der er forbundet med anvendelsen af denne boltepistol. Der kan opstå farlige situationer ved anvendelse af produktet og det tilhørende udstyr, hvis det anvendes af personer, der ikke er blevet undervist i dets brug, eller hvis det ikke anvendes korrekt i henhold til forskrifterne i denne brugsanvisning.
- Den medfølgende brugsanvisning svarer til den aktuelle tekniske standard på tidspunktet for trykningen. Du kan altid finde den aktuelle version online på Hiltis produktside. Følg linket eller QR-koden i denne brugsanvisning, der er markeret med symbolet .
- Sørg for, at denne brugsanvisning altid følger med ved overdragelse af produktet til andre.

1.2 Tegnforklaring

1.2.1 Advarsler

Advarsler advarer mod farer ved håndtering af produktet. Følgende signalord anvendes:

FARE

FARE !

- ▶ Betegner en umiddelbart truende fare, der kan medføre alvorlige kvæstelser eller døden.
-

ADVARSEL

ADVARSEL !

- ▶ Står ved en potentielt truende fare, der kan medføre alvorlige kvæstelser eller døden.
-

FORSIGTIG

FORSIGTIG !

- ▶ Advarer om en potentielt farlig situation, der kan forårsage personskader eller materielle skader.
-

1.2.2 Symboler i brugsanvisningen

Der benyttes følgende symboler i denne brugsanvisning:



Se brugsanvisningen



Anvisninger for anvendelse og andre nyttige oplysninger



	Håndtering af genvindbare materialer
	Elektriske maskiner og batterier må ikke bortskaffes som almindeligt husholdningsaffald
	Hilti Lithium-ion-batteri
	Hilti Lader

1.2.3 Symboler i illustrationer

Følgende symboler anvendes på illustrationer:

	Disse tal henviser til den pågældende illustration i begyndelsen af denne brugsanvisning.
3	Nummereringen udtrykker arbejdsrinnenes rækkefølge på illustrationen og kan afvige fra arbejdsrinnene i teksten.
	Positionsnumre anvendes i illustrationen Oversigt og refererer til tallene i symbolforklaringen i afsnittet Produktoversigt .
	Dette symbol skal sikre skærpet opmærksomhed ved omgang med produktet.

1.3 Produktspecifikke symboler

1.3.1 Symboler på produktet

Følgende symboler kan forekomme på produktet:

	Brug beskyttelsesbriller
n_0	Nominelt omdrejningstal, ubelastet
/min	Omdrejninger pr. minut
RPM	Omdrejninger pr. minut
\emptyset	Diameter
	Jævnstrøm
	Arbejd ikke med standardafskærmningen ved skæreopgaver.
	Arbejd altid med begge hænder.
	Produktet understøtter NFC-teknologi, som er kompatibel med iOS- og Android-platteforme.
Li-Ion	Lithium-ion-batteri
	Brug aldrig batteriet som slagværktøj.
	Lad ikke batteriet falde på gulvet. Brug ikke et batteri, der har fået et slag eller på anden vis er beskadiget.

1.4 Produktoplysninger

HILTI-produkter er beregnet til professionel brug og må kun betjenes, efterses og vedligeholdes af autoriseret og instrueret personale. Dette personale skal i særdeleshed informeres om de potentielle farer, der er forbundet med anvendelsen af denne maskine. Der kan opstå farlige situationer ved anvendelse af produktet og det tilhørende udstyr, hvis det anvendes af personer, der ikke er blevet undervist i dens brug, eller hvis det ikke anvendes korrekt i henhold til forskrifterne i denne brugsanvisning.

Typebetegnelse og serienummer fremgår af typeskiltet.



- ▶ Notér serienummeret i den efterfølgende tabel. Du skal bruge produktoplysningerne ved henvendelser til vores lokale afdeling eller vores serviceværksted.

Produktoplysninger

Akku-vinkelsliber	AG 4S-22-125
Generation	02
Serienummer	

1.5 Overensstemmelseserklæring

Producenten erklærer som eneansvarlig, at det her beskrevne produkt er i overensstemmelse med gældende lovgivning og gældende standarder. Sidst i dette dokument finder du et billede af overensstemmelseserklæringen.

Den tekniske dokumentation er arkiveret her:

Hilti Entwicklungsgesellschaft mbH | Zulassung Geräte | Hiltistraße 6 | 86916 Kaufering, DE

2 Sikkerhed**2.1 Generelle sikkerhedsanvisninger for elværktøj**

⚠ ADVARSEL Læs alle sikkerhedsanvisninger, henvisninger, billedtekster og tekniske data på elværktøjet. Hvis følgende anvisninger ikke overholdes, er der risiko for elektrisk stød, brand og/eller alvorlige personskader.

Opbevar alle sikkerhedsanvisninger og instruktioner til senere brug.

Det benyttede begreb "elværktøj" i sikkerhedsanvisningerne refererer til elektriske maskiner (med netledning) eller batteridrevne maskiner (uden netledning).

Arbejdspladssikkerhed

- ▶ **Sørg for at holde arbejdsområdet ryddeligt og godt oplyst.** Uorden eller uoplyste arbejdsområder øger faren for uheld.
- ▶ **Brug ikke elværktøj i eksplosionstruede omgivelser, hvor der er brændbare væsker, gasser eller støv.** Elværktøj kan slå gnister, der kan antænde støv eller dampe.
- ▶ **Sørg for, at andre personer og ikke mindst børn holdes væk fra arbejdsområdet, når elværktøjet er i brug.** Hvis man distraheres, kan man miste kontrollen over maskinen.

Elektrisk sikkerhed

- ▶ **Elværktøjets stik skal passe til kontakten. Stikket må under ingen omstændigheder ændres. Brug ikke adapterstik sammen med jordforbundne elværktøj.** Uændrede stik, der passer til kontakterne, nedsætter risikoen for elektrisk stød.
- ▶ **Undgå kropskontakt med jordforbundne overflader som f.eks. rør, radiatorer, komfurer og køleskabe.** Hvis din krop er jordforbundet, øges risikoen for elektrisk stød.
- ▶ **Elværktøj må ikke udsættes for regn eller fugt.** Indtrængning af vand i elværktøj øger risikoen for elektrisk stød.
- ▶ **Brug ikke ledningen til formål, den ikke er beregnet til (f.eks. må man aldrig bære elværktøjet i ledningen, hænge det op i ledningen eller rykke i ledningen for at trække stikket ud af kontakten).** Beskyt ledningen mod varme, olie, skarpe kanter eller dele, der er i bevægelse. Beskadigede eller sammenviklede ledninger øger risikoen for elektrisk stød.
- ▶ **Hvis elværktøjet benyttes i det fri, må der kun benyttes en forlængerledning, der er egnet til udendørs brug.** Brug af forlængerledning til udendørs brug nedsætter risikoen for elektrisk stød.
- ▶ **Hvis det ikke kan undgås at anvende elværktøjet i fugtige omgivelser, skal du anvende et fejlstrømsrelæ.** Anvendelsen af et fejlstrømsrelæ nedsætter risikoen for et elektrisk stød.

Personlig sikkerhed

- ▶ **Det er vigtigt at være opmærksom, se, hvad man laver, og bruge maskinen fornuftigt. Anvend aldrig elværktøj, hvis du er træt eller påvirket af stoffer, alkohol eller medicin.** Et øjeblikvis uopmærksomhed under brugen af elværktøjet kan medføre alvorlige personskader.
- ▶ **Brug beskyttelsesudstyr, og hav altid beskyttelsesbriller på.** Brug af sikkerhedsudstyr som f.eks. støvmaske, skridsikkert fodtøj, beskyttelseshjelm eller høreværn afhængigt af elværktøjets type og anvendelse nedsætter risikoen for personskader.
- ▶ **Undgå utilsigtet igangsætning. Kontrollér, at elværktøjet er frakoblet, før du slutter det til strømforsyningen og/eller batteriet, tager det op eller transporterer det.** Undgå at bære elværktøjet med fingeren på afbryderen, og sørg for, at det ikke er tændt, når det slutes til nettet, da dette øger risikoen for personskader.



- ▶ **Fjern indstillingsværktøj eller skruenøgler, inden elværktøjet tændes.** Hvis et stykke værktøj eller en nøgle sidder i en roterende maskindel, er der risiko for personskader.
- ▶ **Undgå at arbejde i unormale kropstillinger. Sørg for at stå sikkert, mens der arbejdes, og kom ikke ud af balance.** Det er derved nemmere at kontrollere elværktøjet, hvis der skulle opstå uventede situationer.
- ▶ **Brug egnet arbejdstøj. Undgå løse beklædningsgenstande eller smykker. Hold hår, tøj og handsker væk fra dele, der bevæger sig.** Dele, der er i bevægelse, kan gribe fat i løstsiddende tøj, smykker eller langt hår.
- ▶ **Hvis støvudsugnings- og opsamlingsudstyr kan monteres, er det vigtigt, at dette tilsluttes og benyttes korrekt.** Ved at anvende en støvudsugning er det muligt at nedsætte risiciene som følge af støv.
- ▶ **Man må ikke ignorere sikkerhedsreglerne for elværktøj, heller ikke selvom man er fortrolig med brugen af elværktøjet.** Uagtsomhed kan medføre alvorlig tilskadekomst inden for få sekunder.

Anvendelse og pleje af elværktøjet

- ▶ **Undgå at overbelaste maskinen. Brug altid en maskine, der er beregnet til det stykke arbejde, der skal udføres.** Med det rigtige værktøj arbejder man bedst og mest sikkert inden for det angivne effektområde.
- ▶ **Brug ikke elværktøj, hvis afbryderen er defekt.** En maskine, der ikke kan startes og stoppes, er farlig og skal repareres.
- ▶ **Træk stikket ud af stikkontakten, og/eller fjern batteriet fra maskinen, inden du foretager indstillinger på den, skifter tilbehør og dele eller lægger den til side.** Disse sikkerhedsforanstaltninger forhindrer utilsigtet start af elværktøjet.
- ▶ **Opbevar ubenyttede elværktøjer uden for børns rækkevidde. Lad aldrig personer, der ikke er fortrolige med maskinen eller ikke har gennemlæst sikkerhedsanvisningerne, benytte denne.** Elværktøj er farligt, hvis det benyttes af ukyndige personer.
- ▶ **Sørg for at pleje elværktøj omhyggeligt. Kontrollér, om bevægelige dele fungerer korrekt og ikke sidder fast, og om delene er brækket eller beskadiget, således at elværktøjets funktion påvirkes. Få beskadigede dele repareret, inden elværktøjet tages i brug.** Mange uheld skyldes dårligt vedligeholdte elværktøjer.
- ▶ **Sørg for, at skæreværktøjer er skarpe og rene.** Omhyggeligt vedligeholdte skæreværktøjer med skarpe skærekanter sætter sig ikke så hurtigt fast og er nemmere at føre.
- ▶ **Anvend elværktøj, tilbehør, indsatsværktøj osv. i overensstemmelse med disse anvisninger. Tag hensyn til arbejdsforholdene og det arbejde, der skal udføres.** I tilfælde af anvendelse af maskinen til formål, som ligger uden for det fastsatte anvendelsesområde, kan der opstå farlige situationer.
- ▶ **Sørg for, at greb og gribeflader er tørre, rene og fri for olie og fedt.** Glatte greb og gribeflader gør betjeningen usikker, og det kan være svært at styre elværktøjet i uforudsete situationer.

Anvendelse og pleje af batteridrevet elværktøj

- ▶ **Oplad kun batterier i ladere, der er anbefalet af fabrikanten.** Der er risiko for brand, hvis en lader, der er beregnet til et bestemt batteri, anvendes til opladning af en anden batteritype.
- ▶ **Brug kun de batterier, der er beregnet til elværktøjet.** Brug af andre batterier øger risikoen for personskader og er forbundet med brandfare.
- ▶ **Ikke benyttede batterier må ikke komme i berøring med kontorclips, mønter, nøgler, søm, skruer eller andre små metalgenstande, da disse kan kortslutte kontakterne.** En kortslutning mellem batterikontakterne øger risikoen for personskader i form af forbrændinger.
- ▶ **Hvis batteriet anvendes forkert, kan der løbe væske ud af batteriet. Undgå at komme i kontakt med denne væske. Hvis det alligevel skulle ske, skylles med vand. Søg læge, hvis væsken kommer i øjnene.** Batterivæske kan give hudirritation eller forbrændinger.
- ▶ **Brug aldrig et beskadiget eller ændret batteri.** Beskadigede eller ændrede batterier kan virke utilsigtet og medføre brand, eksplosion eller risiko for tilskadekomst.
- ▶ **Batterier må ikke udsættes for åben ild eller høje temperaturer.** Ild eller temperaturer over 130 °C (265 °F) kan medføre eksplosion.
- ▶ **Følg alle anvisninger vedrørende opladning, og oplad aldrig batteriet eller det batteridrevne værktøj uden for det temperaturområde, der er anført i betjeningsvejledningen.** Forkert opladning eller opladning uden for det tilladte temperaturområde kan ødelægge batteriet og øge risikoen for brand.

Service

- ▶ **Sørg for, at elværktøjet kun repareres af kvalificerede fagfolk, og at der altid benyttes originale reservedele.** Dermed sikres størst mulig elværktøjssikkerhed.
- ▶ **Forsøg aldrig at reparere beskadigede batterier.** Al vedligeholdelse af batterier skal foretages af producenten eller af autoriserede forhandlere.



2.2 Sikkerhedsanvisninger for alle opgaver

Generelle sikkerhedsanvisninger for slibning, sandpapirslibning, arbejde med trådbørster, polering og skæring:

- ▶ Dette elværktøj skal anvendes som sliber, sandpapirsliber, trådbørste, polermaskine, hulskærer og skære-/slibemaskine. Overhold alle de sikkerhedsanvisninger, anvisninger, diagrammer og data, som følger med maskinen. Hvis du ikke overholder følgende anvisninger, kan det medføre elektrisk stød, brand og/eller alvorlige personskader.
- ▶ Ombyg ikke dette elværktøj, så det fungerer på en måde, som værktøjsproducenten ikke specielt har dimensioneret og specificeret det til. En sådan ombygning kan medføre, at du mister kontrollen over værktøjet, og forårsage alvorlige personskader.
- ▶ Anvend ikke tilbehør, som ikke er specielt beregnet eller godkendt til dette elværktøj af producenten. Kun hvis du kan montere tilbehøret på elværktøjet, er maskinen sikker at bruge.
- ▶ Indsatsværktøjets tilladte omdrejningstal skal være mindst lige så højt som det maksimale omdrejningstal angivet på elværktøjet. Tilbehør, der roterer hurtigere end det tilladte omdrejningstal, kan gå i stykker og slynge dele ud.
- ▶ Indsatsværktøjets udvendige diameter og tykkelse skal svare til de mål, der er angivet for elværktøjet. Forkert dimensionerede indsatsværktøjer kan ikke afskærmes eller kontrolleres tilstrækkeligt.
- ▶ Indsatsværktøjer med gevindindsats skal passe præcist på slibespindelens gevind. Ved indsatsværktøjer, som er monteret med flange, skal indsatsværktøjets huldiameter passe til flangens holdediameter. Indsatsværktøjer, som ikke fastgøres præcist på elværktøjet, roterer ujævnt, vibrerer utrolig kraftigt og kan medføre, at man mister kontrollen over værktøjet.
- ▶ Anvend aldrig beskadigede indsatsværktøjer. Kontrollér hver gang før brug indsatsværktøjer såsom slibeskiver for slagmærker og revner, slibetallerkner for revner, slid eller alvorlige skader, samt trådbørster for løse eller brækkede tråde. Hvis elværktøjet eller indsatsværktøjet falder på gulvet, skal du kontrollere, om det er blevet beskadiget, eller anvende et intakt indsatsværktøj. Når du har kontrolleret og isat indsatsværktøjet, skal du og personer i nærheden blive uden for det roterende indsatsværktøjs fareområde og lade elværktøjet køre med maksimalt omdrejningstal i ét minut. Beskadigede indsatsværktøjer brækker for det meste i løbet af denne testperiode.
- ▶ Brug personligt beskyttelsesudstyr. Brug ansigtsmaske, øjenværn eller beskyttelsesbriller afhængigt af opgaven. Brug så vidt muligt støvmaske, høreværn, beskyttelsehandsker eller specialforklæde, som beskytter dig imod små slibe- og materialepartikler. Øjnene skal beskyttes imod flyvende fremmedlegemer, som opstår i forbindelse med forskellige opgaver. Støvmaske og ånde-dræstværn skal bortfiltrere det støv, der opstår i forbindelse af den konkrete opgave. Hvis du udsættes for et højt støjniveau igennem længere tid, kan det medføre nedsat hørelse.
- ▶ Sørg for, at andre personer opholder sig i sikker afstand af dit arbejdsområde. Alle, som befinder sig i arbejdsområdet, skal bære personligt beskyttelsesudstyr. Brudstykker fra emnet eller beskadigede indsatsværktøjer kan slynges ud og medføre personskader også uden for det direkte arbejdsområde.
- ▶ Hold kun elværktøjet på de isolerede grebsflader, når du udfører opgaver, hvor indsatsværktøjet kan ramme skjulte strømledninger. Ved kontakt med en spændingsførende ledning kan også metalliske værktøjsdele sættes under spænding, hvilket kan medføre elektrisk stød.
- ▶ Læg aldrig elværktøjet fra dig, før indsatsværktøjet er standset helt. Det roterende indsatsværktøj kan komme i kontakt med overfladen på frælægningsstedet, hvilket kan medføre, at du mister kontrollen over elværktøjet.
- ▶ Lad ikke elværktøjet køre, mens du bærer det fra et sted til et andet. Dit tøj kan ved en tilfældig kontakt med det roterende indsatsværktøj blive grebet, hvorved indsatsværktøjet kan bore sig ind i din krop.
- ▶ Rengør regelmæssigt elværktøjets ventilationsåbninger. Motorblæseren trækker støv ind i huset, og en stor ophobning af metalstøv kan indebære elektriske risici.
- ▶ Anvend ikke elværktøjet i nærheden af brændbare materialer. Gnister kan antænde disse materialer.
- ▶ Anvend ikke indsatsværktøjer, der kræver flydende kølemidler. Anvendelse af vand eller andre flydende kølemidler kan medføre elektrisk stød.

Tilbageslag og tilhørende sikkerhedsanvisninger

Tilbageslag er en pludselig reaktion som følge af et fastsiddende eller blokeret roterende indsatsværktøj, f.eks. slibeskive, slibetallerken, trådbørste etc. Fastklemning eller blokering medfører et omgående stop af det roterende værktøj. Derved accelereres et ukontrolleret elværktøj modsat indsatsværktøjets rotationsretning ved blokeringsstedet.

Når eksempelvis en slibeskive sætter sig fast i et emne eller blokeres, kan den kant af slibeskiven, som arbejder sig ned i emnet, blive hængende og derved brække slibeskiven eller forårsage et tilbageslag.



Slibeskiven bevæger sig derefter hen imod brugeren eller væk fra denne, alt efter skivens rotationsretning ved blokeringsstedet. Slibeskiven kan også brække i den forbindelse.

Et tilbageslag er resultatet af ukorrekt eller fejlagtig brug af elværktøjet. Det kan forhindres ved at træffe passende forholdsregler som beskrevet i det følgende.

- ▶ **Hold elværktøjet godt fast med begge hænder, og indtag en position med krop og arme, hvor du kan absorbere eventuelle tilbageslag. Anvend altid det ekstra håndtag, hvis et sådant findes, for at have den størst mulige kontrol over tilbageslag eller reaktionsmomenter ved opstart.** Brugeren kan ved at træffe egnede forholdsregler absorbere tilbageslag og reaktionsmomenter.
- ▶ **Anbring aldrig dine hænder i nærheden af roterende indsatsværktøjer.** Indsatsværktøjet kan i tilfælde af et tilbageslag bevæge sig hen over din hånd.
- ▶ **Undgå at anbringe din krop i det område, hvor elværktøjet bevæges ved tilbageslag.** Tilbageslaget bevæger elværktøjet i den modsatte retning af slibeskivens bevægelse ved blokeringsstedet.
- ▶ **Vær særlig forsigtig ved hjørner, skarpe kanter osv. Undgå, at indsatsværktøj slår tilbage fra emnet og sætter sig fast.** Det roterende indsatsværktøj har en tendens til at sætte sig fast ved hjørner, skarpe kanter eller hvis det preller af. Dette medfører, at du mister kontrollen eller oplever tilbageslag.
- ▶ **Anvend ikke kæde eller fortandet savklinge eller segmenteret diamanthænder med mere end 10 mm brede slidser.** Sådanne indsatsværktøjer forårsager ofte tilbageslag eller er ofte skyld i, at brugeren mister kontrollen over elværktøjet.

Særlige sikkerhedsanvisninger for slibning og skæring:

- ▶ **Anvend altid de slibeskiver, der er godkendt til elværktøjet, og den beskyttelsesafskærmning, der er beregnet til den pågældende slibeskive.** Slibeskiver, som ikke er beregnet til elværktøjet, kan ikke afskærmes tilstrækkeligt og er ikke sikre.
- ▶ **Forkrøpede slibeskiver skal monteres, så deres slibeflade ikke rager ud over kanten af beskyttelsesafskærmningen.** En forkert monteret slibeskive, som rager ud over kanten af beskyttelsesafskærmningen, kan ikke afskærmes på tilstrækkelig vis.
- ▶ **Beskyttelsesafskærmningen skal være monteret på elværktøjet på sikker vis og af hensyn til en optimal sikkerhed være indstillet på en sådan måde, at brugeren har mindst mulig adgang til slibeskiven.** Beskyttelsesafskærmningen er med til at beskytte brugeren mod brudstykker, tilfældig kontakt med slibeskiven samt gnister, som kan antænde brugerens tøj.
- ▶ **Slibeskiver må kun anvendes til de godkendte formål. For eksempel: Slib aldrig med den flade side på en skæreskive.** Skæreskiver er beregnet til at fjerne materiale med kanten af skiven. Hvis en skive påvirkes på siden, kan det medføre, at den brækker.
- ▶ **Anvend altid intakte spændeflanger i korrekt størrelse og form til den valgte slibeskive.** Egnede flanger støtter slibeskiven og nedsætter dermed risikoen for at brække slibeskiven. Flanger til skæreskiver kan adskille sig fra flanger til andre slibeskiver.
- ▶ **Anvend aldrig slidte slibeskiver fra større elværktøjer.** Slibeskiver til større elværktøjer er ikke dimensioneret til de højere omdrejningstal, der kendetegner mindre elværktøjer, og kan brække som følge deraf.
- ▶ **Anvend altid den beskyttelsesafskærmning, der er beregnet til det pågældende anvendelsesformål, hvis du anvender multislibeskiver.** Hvis der anvendes en forkert beskyttelsesafskærmning, ydes der kun utilstrækkelig beskyttelse, hvilket kan medføre alvorlige personskader.

Yderligere særlige sikkerhedsanvisninger for skæring:

- ▶ **Undgå blokering af skæreskiven eller et stort tryk på skiven. Foretag ikke for dybe snit.** En overbelastning af skæreskiven forøger spændingen og tendensen til at sætte sig fast eller blokere og øger dermed risikoen for tilbageslag eller et brud på slibeskiven.
- ▶ **Hold dig i sikker afstand af området foran og bag ved den roterende skæreskive.** Hvis du bevæger skæreskiven i emnet væk fra dig, kan elværktøjet med den roterende skæreskive i tilfælde af et tilbageslag blive kastet direkte tilbage på dig.
- ▶ **Hvis skæreskiven sætter sig fast, eller du afbryder arbejdet, skal du slukke elværktøjet og holde det stille, indtil skiven er standset. Forsøg aldrig at trække den roterende skæreskive ud af sporet, da dette kan medføre tilbageslag.** Find og afhjælp årsagen til fastklemningen.
- ▶ **Tænd ikke elværktøjet, så længe det befinder sig i emnet. Lad skæreskiven komme op på maksimalt omdrejningstal, før du fortsætter skæringen forsigtigt.** I modsat fald kan skiven sætte sig fast, springe op fra emnet eller medføre tilbageslag.
- ▶ **Sørg for at understøtte plader eller store emner for at nedsætte risikoen for tilbageslag som følge af en fastklemt skæreskive.** Store emner kan bøje meget som følge af egen vægt. Emnet skal understøttes på begge sider, og det både i nærheden af snittet og ved kanten.
- ▶ **Vær især forsigtig ved "dyksavning" i eksisterende vægge eller andre områder, hvor du ikke kan se, hvad der befinder sig bag overfladen.** Skæreskiven, der sænkes ned i emnet, kan, hvis den skærer gas- og vandrør, elektriske ledninger eller andre genstande over, medføre tilbageslag.



- ▶ **Undgå kurvesnit.** En overbelastning af skæreskiven forøger spændingen og tendensen til at sætte sig fast eller blokere og øger dermed risikoen for tilbageslag eller et brud på slibeskiven, hvilket kan medføre alvorlige kvæstelser.

Særlige sikkerhedsanvisninger for slibning med sandpapir:

- ▶ **Anvend kun slibblade i passende størrelse. Følg producentens anvisninger vedrørende størrelse af slibblade.** Slibblade, som rager for langt ud over slibetallerknen, kan medføre personskader og forårsage blokering, iturivning af slibbladene eller tilbageslag.

Særlige sikkerhedsanvisninger for polering:

- ▶ **Tillad ikke løse dele på polerhætten, især ikke monteringsnor. Stuv monteringsnoren af vejen, eller afkort den.** En løs, roterende monteringsnor kan snøre sig fast om dine fingre eller sætte sig fast i emnet.

Særlige sikkerhedsanvisninger for arbejde med trådbørster:

- ▶ **Vær opmærksom på, at trådbørsten også under almindelig brug mister trådstykker. Undgå at overbelaste trådene ved at trykke for hårdt ned.** Trådstykker, der slynges væk, kan meget let trænge igennem tyndt tøj og/eller hud.
- ▶ **Hvis beskyttelsesafskærmning skal anvendes, skal du sørge for, at beskyttelsesafskærmning og trådbørste ikke kommer i berøring med hinanden.** Tallerken- og kopbørster kan forøge deres diameter, hvis de trykkes ned, eller hvis de udsættes for centrifugalkræfter.

2.3 Yderligere sikkerhedsanvisninger

Personlig sikkerhed

- ▶ Anvend kun produktet og tilbehøret i teknisk fejlfri stand.
- ▶ Foretag aldrig manipulationer eller ændringer på produkt eller tilbehør.
- ▶ Hold altid fast i produktet med begge hænder på de dertil beregnede håndtag. Hold håndtagene tørre, rene og fri for olie og fedt.
- ▶ Hvis produktet anvendes uden støvudsugning, skal du bruge åndedrætsværn.
- ▶ Hold hyppigt pauser, og lav øvelser, så fingrene får bedre blodgennemstrømning. Ved længerevarende arbejde kan vibrationer medføre forstyrrelser af fingrenes, hændernes eller håndleddenes blodkar og nervesystem.
- ▶ Undgå at berøre roterende dele. Tænd først produktet, når du befinder dig i arbejdsområdet. Berøring af roterende dele, især roterende værktøjer, kan medføre personskader.
- ▶ Vent, indtil produktet er standset helt, før du lægger det fra dig.
- ▶ Produktet er ikke beregnet til svagelige personer uden instruktion. Produktet skal opbevares uden for børns rækkevidde.
- ▶ Støv, der dannes ved slibning, skæring og boring, kan indeholde farlige kemikalier. Nogle eksempler er: Bly eller maling på blybasis; Tegl, beton og andre murværksprodukter, natursten og andre silikatholdige produkter; Bestemte træsorter som eg, bøg og kemisk behandlet træ; Asbest eller asbestholdige materialer. Bestem eksponeringen for brugeren og omkringstående personer ved hjælp af fareklassen for de materialer, der arbejdes på. Træf de nødvendige foranstaltninger for at holde eksponeringen på et sikkert niveau, f.eks. ved at bruge et støvopsamlingsystem eller brug af et passende åndedrætsværn. Generelle foranstaltninger til at reducere eksponeringen omfatter bl.a.:
 - ▶ Arbejde i et godt ventileret område,
 - ▶ Undgå længere tids kontakt med støv,
 - ▶ Lede støv bort fra ansigt og krop,
 - ▶ Brug beskyttende beklædning og vaske eksponerede områder med vand og sæbe.
- ▶ Brugeren og de personer, der opholder sig i nærheden, skal under brugen af produktet bruge øjenværn, sikkerhedshjelm og høreværn.
- ▶ Brug beskyttelseshandsker, når du skifter værktøj. Berøring af indsatsværktøjet kan medføre snitsår og forbrændinger.
- ▶ Fare for personskader på grund af værktøj og/eller tilbehør, som falder på jorden. Kontrollér før arbejdsbegyndelse, at batteriet og monteret tilbehør sidder godt fast.
- ▶ Hold altid ventilationsåbningerne fri. Fare for forbrændinger på grund af tildækkede ventilationsåbninger!
- ▶ Tænd først produktet, når du har bragt det i arbejdsposition.
- ▶ Vent, indtil produktet er standset helt, før du lægger det fra dig.
- ▶ Hvis produktet registrerer, at grænseværdierne for driften overskrides, eller at batteriet er tomt, kan det ske, at værktøjet ikke bremses ned af motoren.
- ▶ Fastgør ikke en bæltekrog på dette produkt.



Omhyggelig omgang med og brug af elværktøj

- ▶ Slibeskiver skal opbevares og håndteres i henhold til producentens anvisninger.
- ▶ Anvend aldrig produktet uden beskyttelsesafskærmning.
- ▶ Sørg for at sikre emnet. Brug fastspændingsværktøj eller en skruestik til at fastspænde emnet. På den måde holdes det mere sikkert fast end med hånden, og du har desuden begge hænder fri til at betjene produktet.
- ▶ Anvend ikke skæreskiver til skrubning.
- ▶ Spænd indsatsværktøjet og flangen. Hvis indsatsværktøjet og flangen ikke spændes godt fast, er der efter slukning mulighed for, at indsatsværktøjet løsner sig fra spindlen ved bremsning via motoren.

Elektrisk sikkerhed

- ▶ Kontrollér før påbegyndelse af arbejdet arbejdsområdet for skjulte elektriske ledninger, gas- og vandrør, f.eks. med en metaldetektor. Udvendige metaldele på produktet kan medføre elektrisk stød eller forårsage en eksplosion, hvis du beskadiger en elledning, et gasrør eller et vandrør.
- ▶ Få med regelmæssige mellemrum **Hilti Service** til at kontrollere tilsmudsede produkter ved hyppig bearbejdning af ledende materialer. Hvis der sidder støv, først og fremmest fra ledende materialer, på produktets overflade, eller det er fugtigt, er der under uheldige omstændigheder risiko for at få elektrisk stød.

Arbejdsplads

- ▶ Ved gennembrydningsarbejde skal du huske at sikre området på den modsatte side. Nedbrydningsdele kan falde ud og/eller ned og volde skade på andre personer.
- ▶ Riller i bærende vægge eller andre strukturer kan påvirke statikken, især ved overskæring af armeringsjern eller bærende elementer. Før arbejdet påbegyndes, skal den ansvarlige bygningsingeniør, arkitekt eller byggeleder tages med på råd.

Yderligere anvisninger for brug af beskyttelsesafskærmninger

For at undgå at følgende risici skal den rigtige beskyttelsesafskærmning altid anvendes, se kapitel: "Tilknytning af skiverne til det udstyr, der skal anvendes".

- ▶ Ved anvendelse af standardbeskyttelse med afskærmning foran til planslibning kan beskyttelsesafskærmningen berøre emnet, og det kan medføre, at du mister kontrollen.
- ▶ Ved brug af en trådbørste med en tykkelse, der overskrider den maksimalt tilladte tykkelse, kan trådene blive hængende på beskyttelsesafskærmningen og knække af.
- ▶ Ved anvendelse af standardbeskyttelsesafskærmningen til skæring af metal med abrasive skæreskiver øges risikoen for at blive udsat for gnister og partikler samt splinter af skæreskiverne i tilfælde af, at skiven knækker.
- ▶ Ved anvendelse af standardbeskyttelsesafskærmning med eller uden frontafdækning ved skæring og slibning af beton eller murværk øges støvbelastningen, og samtidig øges risikoen for, at du mister kontrollen over produktet, hvilket kan medføre tilbageslag.

2.4 Omhyggelig omgang med og brug af batterier

- ▶ **Overhold følgende sikkerhedsforanstaltninger for sikker håndtering og brug af Li-ion-batterier.** I modsat fald kan det medføre hudirritation, alvorlige ætsningsskader, kemiske forbrændinger, brand og/eller eksplosion.
- ▶ Anvend kun batterier i teknisk fejlfri stand.
- ▶ Batterier skal behandles forsigtigt for at undgå beskadigelser og udslip af meget sundhedsskadelige væsker!
- ▶ Batterier må under ingen omstændigheder modificeres eller manipuleres!
- ▶ Batterierne må ikke adskilles, klemmes, opvarmes til over 80 °C eller brændes.
- ▶ Anvend og oplad ikke batterier, som har fået stød eller på anden vis er blevet beskadiget. Kontrollér regelmæssigt dine batterier for tegn på skader.
- ▶ Anvend aldrig genbrugte eller reparerede batterier.
- ▶ Anvend aldrig batteriet eller et batteridrevet elværktøj som slagværktøj.
- ▶ Udsæt aldrig batterier for direkte solstråling, høj temperatur, gnister eller åben ild. Det kan medføre eksplosion.
- ▶ Berør ikke batteripolerne med dine fingre, værktøj, smykker eller andre elektrisk ledende genstande. Det kan beskadige batteriet og medføre personskader og materielle skader.
- ▶ Hold batterier på sikker afstand af regn, fugt og væsker. Indtrængende fugt kan medføre kortslutninger, elektrisk stød, forbrændinger, brand og eksplosion.
- ▶ Brug kun ladere og elværktøj, der er beregnet til denne batteritype. Overhold i den forbindelse oplysningerne i de tilhørende brugsanvisninger.



- Anvend og opbevar ikke batteriet i eksplosionsfarlige omgivelser.
- Hvis batteriet er for varmt til at kunne røres, kan det være defekt. Anbring batteriet på et overskueligt, ikke-brændbart sted med tilstrækkelig afstand til brændbare materialer. Lad batteriet køle af. Hvis batteriet efter en time fortsat er for varmt til at kunne røres, er det er defekt. Kontakt **Hilti Service** eller læs dokumentet "Anvisninger om sikkerhed og anvendelse af **Hilti** Li-ion-batterier".

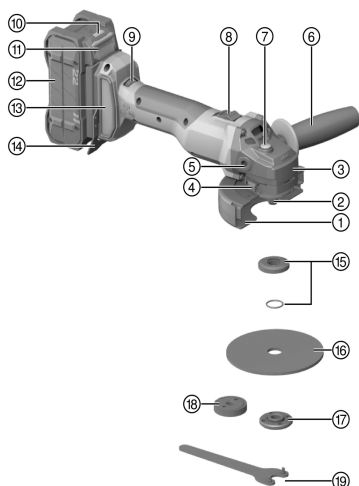


Vær opmærksom på de særlige retningslinjer, der gælder for transport, opbevaring og brug af Li-ion-batterier. → Side 38

Læs anvisningerne vedrørende sikkerhed og anvendelse til **Hilti** Li-ion-batterier, som du kan finde ved at scanne QR-koden sidst i denne brugsanvisning.

3 Beskrivelse

3.1 Produktoversigt



- ① Standardbeskyttelsesafskærmning
- ② Spindel
- ③ Rotationsretningspil
- ④ Frigøringsknop, afskærmning
- ⑤ Gevindbøsning til håndgreb
- ⑥ Sidegreb
- ⑦ Spindelåseknop
- ⑧ Afbryder
- ⑨ Hastighedsregulering
- ⑩ Statusindikator for batteri
- ⑪ Batterifrigørelsesknop
- ⑫ Batteri
- ⑬ Støvfiltre
- ⑭ Gnistbeskyttelsesplade
- ⑮ Spændeflange med O-ring
- ⑯ Skæreskive/skrubbeskive
- ⑰ Spændemøtrik
- ⑱ **Kwik lock**-hurtigspændemøtrik (ekstratilbehør)
- ⑲ Spændenøgle

3.2 Bestemmelsesmæssig anvendelse

Det beskrevne produkt er en håndført batteridrevet vinkelsliber. Den er beregnet til skæring og skrubning af metalliske og mineralske materialer, til børstning og til sandpapirslibning, i alle tilfælde uden anvendelse af vand. Den må kun anvendes til tørslibning/-skæring.

- Brug kun **Hilti** Nuron Li-ion-batterier fra serien B 22 til dette produkt. Af hensyn til en optimal effekt anbefaler **Hilti** at bruge de batterier, der fremgår af tabellen i slutningen af denne brugsanvisning, til dette produkt.
- Anvend kun **Hilti**-ladere fra de serier, der fremgår af tabellen i slutningen af denne brugsanvisning, til disse batterier.

3.3 Leveringsomfang

Vinkelsliber, sidegreb, standardbeskyttelsesafskærmning, frontafdækning, spændeflange, spændemøtrik, spændenøgle, støvfiltre, brugsanvisning.

Andre systemprodukter, som er godkendt til dit produkt, finder du i **Hilti Store** eller på: www.hilti.group

3.4 ATC

Produktet er udstyret med elektronisk hurtigfrakobling ATC (Active Torque Control).



Hvis indsatsværktøjet blokerer eller sætter sig fast, roterer produktet pludselig ukontrolleret i den modsatte retning. ATC registrerer denne pludselige rotationsbevægelse på produktet og kobler omgående produktet fra.



Produktet skal kunne rotere for at fungere korrekt.
Efter udført hurtig frakobling skal du slukket produktet og tænde det igen.

3.5 Motorbeskyttelsesfunktion

Motorbeskyttelsesfunktionen overvåger strømforbrug samt motoropvarmning og beskytter produktet mod overophedning.

Ved overbelastning af motoren som følge af for højt tryk nedsættes produktets ydelse mærkbart, eller måske standser det.



I tilfælde af stilstand eller et fald i omdrejningstallet på grund af en overbelastning skal du aflaste produktet og lade det køre i ca. 30 sekunder ved tomgangshastighed.

3.6 Integreret bremse

Ved hjælp af den integrerede bremse reduceres udløbstiden, indtil indsatsværktøjet står stille.



Denne funktion er kun givet, så længe produktet forsynes med strøm.
Afhængigt af det valgte indsatsværktøj er bremsetiden forskellig.

3.7 Frontafdækning

Anvend frontafdækningen med standardbeskyttelsesafskærmningen til opgaver, der udføres nede:

- Skrubning med lige skrubbekiver
- Skæring med skæreskiver.

3.8 Støvskaerm (skæring) DC-EX 125/5" C Kompakt skaerm (tilbehør)

Til skæring af mineralske underlag med diamantskære-/slibeskiver skal den kompakte skaerm DC-EX 125/5" C anvendes.

Det er ikke tilladt at bearbejde metal med denne afskaermning.

3.9 Støvskaerm (skæring) DC-EX 125/5" M (tilbehør)

Skæring og rilning i mineralske underlag med diamantskæreskiver skal altid udføres med støvskaerm.

FORSIGTIG Det er ikke tilladt at bearbejde metal med denne afskaermning.

3.10 Støvskaerm (slibning) DG-EX 125/5" (tilbehør)

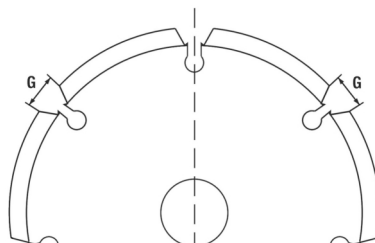
Slibesystemet er kun beregnet til lejlighedsvis slibning af mineralske underlag med diamant-kopskiver.

Det er ikke tilladt at bearbejde metal med denne afskaermning.

3.11 Egnede diamantklingers geometri

Diamantklinger skal opfylde følgende geometriske krav.

Tekniske data	
Rillebredde mellem segmenter (G)	≤ 10 mm
Skærevinkel	negativ



3.12 Li-ion-batteriets indikatorer

Hilti Nuron Li-ion-batterier kan vise ladetilstand, fejlmeddelelser og batteriets tilstand.

3.12.1 Visning af ladetilstand og fejlmeddelelser

ADVARSEL

Fare for personskader på grund af batteri, der falder på gulvet!

- ▶ Sørg for, at du ved isat batteri efter tryk på frigøringsknappen bringer batteriet korrekt i indgreb igen i det anvendte produkt.

For at få en af følgende visninger skal du trykke kort på batteriets frigøringsknop.

Ladetilstanden og evt. fejl vises også konstant, så længe det tilsluttede produkt er tændt.

Tilstand	Betydning
Fire (4) LED'er lyser konstant grønt	Ladetilstand: 100 % til 71 %
Tre (3) LED 'er lyser konstant grønt	Ladetilstand: 70 % til 51 %
To (2) LED 'er lyser konstant grønt	Ladetilstand: 50 % til 26 %
En (1) LED lyser konstant grønt	Ladetilstand: 25 % til 10 %
En (1) LED blinker langsomt grønt	Ladetilstand: < 10 %
En (1) LED blinker hurtigt grønt	Li-ion-batteriet er helt afladet. Oplad batteriet. Hvis LED'en stadig blinker hurtigt efter opladning af batteriet, bedes du kontakte HiltiService .
En (1) LED blinker hurtigt gult	Li-ion-batterier eller det dermed forbundne produktet er overbelastet, er for varmt, for koldt, eller der foreligger en anden fejl. Bring produktet og batteriet op på den anbefalede arbejdstemperatur, og overbelast ikke produktet under anvendelsen. Hvis meddelelsen stadig vises, bedes du kontakte HiltiService .
En (1) LED lyser gult	Li-ion-batteriet og det dermed forbundne produkt er ikke compatible. Kontakt Hilti Service .
En (1) LED blinker hurtigt rødt	Li-ion-batteriet er låst og kan ikke længere anvendes. Kontakt Hilti Service .

3.12.2 Visning om batteriets tilstand

Hvis du ønsker at aflæse batteriets tilstand, skal du holde frigøringsknappen inde i mere end tre sekunder. Systemet registrerer ingen potentielle funktionsfejl for batteriet som følge af misbrug som f.eks. nedstyrning, perforeringer, eksterne varmeskader osv.

Tilstand	Betydning
Alle lysdioder lyser som løbelys, og derefter lyser én (1) lysdiode grønt.	Batteriet kan fortsat benyttes.
Alle lysdioder lyser som løbelys, og derefter blinker én (1) lysdiode hurtigt gult.	Forespørgslen om batteriets tilstand kunne ikke afsluttes. Gentag proceduren, eller kontakt Hilti Service .
Alle lysdioder lyser som løbelys, og derefter lyser én (1) lysdiode rødt.	Hvis et tilsluttet produktet fortsat kan benyttes, er den resterende batterikapacitet under 50%. Hvis et tilsluttet produktet ikke længere kan benyttes, er batteriet ved slutningen af sin levetid og skal udskiftes. Kontakt Hilti Service .

4 Forbrugsstoffer

Der må kun anvendes kunstharpiks-bundne fiberarmerede skiver til maks. Ø 125 mm, som er godkendt til et omdrejningstal på mindst 11.000/min og en omfangshastighed på 80 m/s.

VIGTIGT! Anvend altid standardbeskyttelsesafsærmningen med ekstra frontafdækning eller en helt lukket støvskærm ved skæring og rining med skæreskiver.



Skiver

Type	Anvendelse	Kort betegnelse	Underlag	maks. tykkelse	maks. diameter
Abrasive skæreskive	Skæring, rilning	AC-D	metallisk	2,5 mm	125 mm
Diamantskæreskive	Skæring, rilning	DC-TP, DC-D (SPX, SP, P)	mineralsk	3 mm	125 mm
Abrasive skrubbeskive	Skrubning	AG-D, AF-D, AN-D	metallisk	6,4 mm	125 mm
Diamantskrubbeskive	Skrubning	DG-CW (SPX, SP, P)	mineralsk	-	125 mm
Trådbørste	Trådbørster	3CS, 4CS, 3SS, 4SS	metallisk	- 27 mm	75 mm 125 mm
Diamantborekrone	Fliseboring	DD-M14	mineralsk	-	125 mm
Fiberskive	Skrubning	AP-D	metallisk	-	125 mm

Tilknytning af skiverne til det udstyr, der skal anvendes

Pos.	Udstyr	AC-D	AP-D	AG-D, AF-D, AN-D	DG-CW (SPX, SP, P)	DC-TP, DC-D (SPX, SP, P)	3CS, 4CS, 3SS, 4SS, DD-M14
A	Beskyttelsesafskærmning (standard)	✓	✓	✓	✓	✓	✓
B	Frontafdækning (i forbindelse med A)	✓	—	—	—	✓	—
C	Støvskaerm (slibning) DG-EX 125/5"	—	—	—	✓	—	—
D	Støvskaerm (skæring) DC-EX 125/5"C (i forbindelse med A)	—	—	—	—	✓	—
E	Støvskaerm (rilning) DC-EX 125/5"M	—	—	—	—	✓	—
F	Adapter DC-EX SL (i forbindelse med E)	—	—	—	—	✓	—
G	Sidegreb (standard)	✓	✓	✓	✓	✓	✓
H	Spændemøtrik (standard)	✓	—	✓	✓	✓	—
I	Spændeflange (standard)	✓	—	✓	✓	✓	—
J	Kwik lock (ekstratilbehør til H)	✓	—	✓	—	✓	—
K	Spændemøtrik (fiberskive)	—	✓	—	—	—	—
L	Støtteskive (fiberskive)	—	✓	—	—	—	—

5 Tekniske data

	AG 4S-22-125
Nominel spænding	21,6 V
Nominelt omdrejningstal	8.500/min
Maks. skivediameter	125 mm
Vægt i henhold til EPTA-procedure 01 uden batteri	2,1 kg
Gevindrevspindel	M14



	AG 4S-22-125
Spindellængde	22 mm
Omgivende temperatur under drift	-17 °C ... 60 °C (1 °F ... 140 °F)
Opbevaringstemperatur	-20 °C ... 70 °C (-4 °F ... 158 °F)

5.1 Batteri

Batteriets driftsspænding	21,6 V
Vægt, batteri	Se bagest i denne brugsanvisning
Omgivende temperatur under drift	-17 °C ... 60 °C (1 °F ... 140 °F)
Opbevaringstemperatur	-20 °C ... 40 °C (-4 °F ... 104 °F)
Batteriets temperatur ved start af ladning	-10 °C ... 45 °C (14 °F ... 113 °F)

5.2 Støjinformation og vibrationsværdier iht. 62841-2-3:2021

Lydtryk- og vibrationsværdier i denne brugsanvisning er målt i henhold til en standardiseret målemetode og kan anvendes til sammenligning af forskellige elværktøjer. De kan også anvendes til en foreløbig vurdering af den eksponering, brugeren udsættes for.

De anførte data repræsenterer elværktøjets primære anvendelsesformål. Hvis elværktøjet imidlertid anvendes til andre formål, med andre indsatsværktøjer eller utilstrækkelig vedligeholdelse, kan dataene afvige. Dette kan forøge den eksponering, som brugeren udsættes for, i hele arbejdstiden markant.

For at opnå en præcis vurdering af den eksponering, som brugeren udsættes for, bør også den tid, hvor elværktøjet er slukket eller blot kører uden at blive anvendt, inddrages. Dette kan reducere den eksponering, som brugeren udsættes for, i hele arbejdstiden markant.

Fastlæg yderligere sikkerhedsforanstaltninger til beskyttelse af brugeren mod støj- og/eller vibrationspåvirkninger, f.eks. er det vigtigt at vedligeholde elværktøj og indsatsværktøj, at holde hænderne varme og at organisere arbejdsprocesserne.

Slibning af tynde plader eller andre let vibrerende strukturer med stor overflade kan medføre en øget støjemission, der er langt større end de angivne støjemissionsværdier. Du kan reducere disse støjemissioner ved at ved hjælp af egnede støjreducerende forholdsregler, f.eks. ved hjælp af tunge fleksible lydisolerende måtter. Tag også altid højde for disse højere værdier ved risikovurderingen i forbindelse med støjeksponering og valg af egnet hørevern.

Støjinformation

	AG 4S-22-125
Lydtrykniveau (L_{pA})	89 dB(A)
Usikkerhed, lydtrykniveau (K_{pA})	3 dB(A)
Lydeffektniveau (L_{WA})	97 dB(A)
Usikkerhed, lydeffektniveau (K_{WA})	3 dB(A)

Vibrationsoplysninger

Andre anvendelsesformål, f.eks. skæring, kan medføre andre vibrationsværdier.

	AG 4S-22-125	
Overfladeslibning ($a_{n,AG}$)	B 22-55	5,1 m/s ²
	B 22-255	5,4 m/s ²
Usikkerhed (K)		1,5 m/s ²



6 Forberedelse af arbejdet

ADVARSEL

Fare for personskader på grund af utilsigtet start!

- ▶ Før isætning af batteriet skal du kontrollere, at det tilhørende produkt er slukket.
- ▶ Fjern batteriet fra maskinen, inden du foretager indstillinger eller skifter tilbehørsdele på den.

Følg sikkerheds- og advarselshenvisningerne i denne dokumentation og på produktet.

6.1 Opladning af batteri

1. Læs brugsanvisningen til laderen før opladning.
2. Vær opmærksom på, at kontakterne på batteriet og laderen er rene og tørre.
3. Oplad batteriet i en godkendt lader. → Side 28

6.2 Isætning af batteri

ADVARSEL

Fare for personskader på grund af kortslutning eller batteri, der falder på gulvet!

- ▶ Før isætning af batteriet skal du kontrollere, at batteriets kontakter og kontakterne på produktet er fri for fremmedlegemer.
- ▶ Kontrollér, at batteriet altid går korrekt i indgreb.

1. Lad batteriet helt op før første ibrugtagning.
2. Skub batteriet ind i produktet, indtil det går hørbart i indgreb.
3. Kontrollér, at batteriet er sat korrekt i.

6.3 Fjernelse af batteri

1. Tryk på batteriets frigøringsknap.
2. Træk batteriet ud af produktet.

6.4 Montering af Hilti faldsikring (ekstratilbehør)



Nationale retningslinjer for opgaver udført i højden skal altid overholdes under arbejdet med produktet. Overhold brugsanvisningen til faldsikringen.

1. Læg faldsikringens to lasker præcist på gnistbeskyttelsespladen.
2. Fastgør faldsikringen med de tilhørende skruer gennem de dertil beregnede borer i gnistbeskyttelsespladen.
3. Indsæt batteriet. → Side 33

6.5 Faldsikring

ADVARSEL

Fare for personskader som følge af nedfaldende værktøj og/eller tilbehør!

- ▶ Anvend kun den **Hilti**-værktøjsikkerhedslinje, som er beregnet til dit produkt.
- ▶ Kontrollér værktøjsikkerhedslinjens fastgørelsespunkt for mulige skader før hver brug.



Overhold nationale retningslinjer for opgaver i højden.

Brug kun en kombination af **Hilti** faldsikringen #2293133 og **Hilti** værktøjslinjen #2261970 som nedstyrtnings-sikring for dette produkt.

- ▶ Fastgør faldsikringen i monteringsåbningerne for tilbehør. Kontrollér, at den sidder sikkert.



- ▶ Fastgør den ene karabinhage på værktøjslinen til faldsikringen og den anden karabinhage til en bærende struktur. Kontrollér, at begge karabinhager sidder sikkert.



Overhold brugsanvisningerne for **Hilti** faldsikringen og **Hilti** værktøjslinen.

6.6 Montering af sidegreb

- ▶ Skru sidegrebet fast på et af de dertil beregnede gevindbøsninger.

6.7 Montering og afmontering af beskyttelsesafskærmning

FORSIGTIG

Fare for personskader Indsatsværktøjet kan være meget varmt eller have skarpe kanter.

- ▶ Brug beskyttelseshandsker i forbindelse med montering, afmontering, indstilling og fejlafhjælpning.

- ▶ Læs monteringsvejledningen for den pågældende beskyttelsesafskærmning.

6.7.1 Montering af standardbeskyttelsesafskærmning



Beskyttelsesafskærmningen er forsynet med en låseanordning, som sikrer, at kun en beskyttelsesafskærmning, som passer til produktet, kan monteres. Beskyttelsesafskærmningen kan føres ind i styrerillen på produktets afskærmningsholder.

1. Sæt beskyttelsesafskærmningen på spindelhalsen, så de to trekantmarkeringer på beskyttelsesafskærmningen og produktet står over for hinanden.
2. Tryk beskyttelsesafskærmningen på spindelhalsen;
3. Tryk på frigøringsknappen til afskærmningen, og drej den, indtil afskærmningen går i indgreb i den ønskede position.
 - ▶ Frigøringsknappen til afskærmningen springer tilbage.

6.7.2 Indstilling af standardbeskyttelsesafskærmning

- ▶ Tryk på frigøringsknappen til afskærmningen, og drej den, indtil afskærmningen går i indgreb i den ønskede position.

6.7.3 Afmontering af standardbeskyttelsesafskærmning

1. Tryk på frigøringsknappen, og drej beskyttelsesafskærmningen, indtil de to trekantmarkeringer på beskyttelsesafskærmningen og produktet står over for hinanden.
2. Tag beskyttelsesafskærmningen af.

6.8 Montering og afmontering af frontafdækning



Frontafdækningen skal sættes på standardbeskyttelsesafskærmningen.

1. Sæt frontafdækningen med den lukkede side opad på standardbeskyttelsesafskærmningen.
 - ▶ Låsemekanismen skal gå hørbart i indgreb.
2. Afmontering sker ved at løsne frontafdækningens låsemekanisme.
3. Afmonter frontafdækningen fra standardbeskyttelsesafskærmningen.

6.9 Montering og afmontering af indsatsværktøj

FORSIGTIG

Fare for personskader Indsatsværktøjet kan være varmt.

- ▶ Brug beskyttelseshandsker ved skift af indsatsværktøjet.



i Diamantskiver skal udskiftes, så snart skære- eller slibeydelsen falder mærkbart. Generelt er dette tilfældet, når diamantsegmenternes højde er lavere end 2 mm.

Andre skivetyper skal udskiftes, når skæreydelsen falder mærkbart, eller dele af vinkelsliberen (med undtagelse af skiven) kommer i kontakt med arbejdsmaterialet under arbejdet.

Abrasive skiver skal udskiftes, når deres udløbsdato er nået.

6.9.1 Montering af indsatsværktøj

ADVARSEL

Fare for personskader Ved bremsning af maskinens motor kan indsatsværktøjet løsne sig.

- ▶ Vent, indtil indsatsværktøjet er standset, før du berører indsatsværktøjet eller spændemøtrikken.
- ▶ Spænd indsatsværktøjet og spændeflengen så fast med spændemøtrikken, at ingen dele på spindlen kan løsne sig ved bremsning af maskinens motor.

1. Rengør spændeflengen og spændemøtrikken.
2. Kontrollér, om O-ringen er ubeskadiget og på plads i spændeflengen.
 - ▶ Hvis en O-ring mangler eller er beskadiget, skal den udskiftes.
3. Sæt spændeflengen på spindelen, så den sidder formluttende og er sikret mod at vride sig.
4. Monter indsatsværktøjet.
5. Spænd spændemøtrikken, der passer til det isatte indsatsværktøj.
6. Tryk på spindellåseknappen, og hold den inde.
7. Spænd spændemøtrikken med spændenøglen, slip derefter spindellåseknappen, og fjern spændenøglen.

6.9.2 Afmontering af indsatsværktøj

ADVARSEL

Fare for bud og beskadigelse. Hvis der trykkes på spindellåseknappen, mens spindlen roterer, kan indsatsværktøjet løsne sig.

- ▶ Tryk kun på spindellåseknappen, når spindlen er standset.

1. Tryk på spindellåseknappen, og hold den inde.
2. Løsn spændemøtrikken ved at sætte spændenøglen på og dreje den mod uret.
3. Slip spindellåseknappen, og fjern indsatsværktøjet.

6.9.3 Montering af Kwik lock

ADVARSEL

Fare for brud. Kwik lock-hurtigspændemøtrikken kan brække, hvis den er meget slidt.

- ▶ Pas på, at Kwik lock-hurtigspændemøtrikken ikke får kontakt med underlaget under arbejdet.
- ▶ Anvend ikke beskadigede Kwik lock-hurtigspændemøtrikker.

i Kwik lock-hurtigspændemøtrikken (ekstratilbehør) kan anvendes i stedet for spændemøtrikken. På den måde kan du skifte indsatsværktøjer uden brug af ekstra værktøj.

1. Rengør spændeflengen og spændemøtrikken.
2. Kontrollér, om O-ringen er ubeskadiget og på plads i spændeflengen.
 - ▶ Hvis en O-ring mangler eller er beskadiget, skal den udskiftes.
3. Sæt spændeflengen på spindelen, så den sidder formluttende og er sikret mod at vride sig.
4. Monter indsatsværktøjet.
5. Skru Kwik lock-hurtigspændemøtrikken på, indtil den hviler mod indsatsværktøjet.
 - ▶ Teksten Kwik lock kan ses i løsnet tilstand.
6. Tryk på spindellåseknappen, og hold den inde.
7. Skru indsatsværktøjet på med hånden i urets retning, indtil hurtigspændemøtrikken Kwik lock er spændt godt fast.
8. Slip spindellåseknappen.



6.9.4 Afmontering af Kwik lock



Hvis hurtigspændemøtrikken **Kwik lock** ikke kan løsnes med hånden, skal du sætte en spændenøgle på hurtigspændemøtrikken og dreje spændenøglen mod uret. Anvend aldrig en rørtang. Hurtigspændemøtrikken **Kwik lock** kan blive beskadiget på grund af forkert værktøj.

1. Tryk på spindellåseknappen.
2. Løsn **Kwik lock**-hurtigspændemøtrikken ved at dreje den mod uret med hånden.
3. Slip spindellåseknappen, og fjern indsatsværktøjet.

6.9.5 Montering af borekrone **11**

1. Monter sidegrebet. → Side 34
2. Monter standardbeskyttelsesafskærmningen.
3. Sæt borekronen på, og skru den fast med hånden.
4. Tryk på spindellåseknappen, og hold den inde.
5. Spænd borekronen med en egnet gaffelnøgle.
6. Slip derefter spindellåseknappen, og fjern gaffelnøglen.

6.9.6 Montering af trådbørste **12**

1. Monter sidegrebet. → Side 34
2. Monter standardbeskyttelsesafskærmningen.
3. Sæt trådbørsten på, og skru den fast med hånden.
4. Tryk på spindellåseknappen, og hold den inde.
5. Spænd trådbørsten med en egnet gaffelnøgle.
6. Slip derefter spindellåseknappen, og fjern gaffelnøglen.

6.9.7 Montering af fiberskive **13**

1. Monter sidegrebet. → Side 34
2. Monter standardbeskyttelsesafskærmningen.
3. Sæt støtteskiven og fiberskiven på, og skru spændemøtrikken fast.
4. Tryk på spindellåseknappen, og hold den inde.
5. Spænd spændemøtrikken med spændenøglen.
6. Slip derefter spindellåseknappen, og fjern spændenøglen.

7 Betjening

7.1 Tænding

1. Tryk på den bageste del af afbryderen.
2. Skub afbryderen fremad.
 - ▶ Motoren kører.
3. Lås afbryderen.

7.2 Slibning



ADVARSEL

Fare for personskader Indsatsværktøjet kan pludselig blokere eller sætte sig fast.

- ▶ Anvend produktet med påmonteret sidegreb, og hold altid produktet med begge hænder.

Sørg for, at indsatsværktøjet ikke sætter sig fast, og undgå at trykke for hårdt på produktet.

7.3 Skæring

- ▶ Ved skæring skal du arbejde med moderat fremføring og sørge for, at produktet eller skæreskiven ikke sætter sig fast (arbejdspositionen er ca. 90° i forhold til skæreplanet).



Profil og små firkantør skæres bedst ved, at skæreskiven sættes på ved det mindste tværsnit.



7.4 Skrubning

ADVARSEL

Fare for personskader Skæreskiven kan revne og afrevne dele kan medføre personskader.

► Anvend aldrig skæreskiver til skrubning.

- Bevæg produktet frem og tilbage med moderat tryk i en vinkel på mellem 5° og 30°.
 - Emnet bliver ikke for varmt eller misfarvet, og der opstår ikke riller.

7.5 Frakobling

- Tryk på den bageste del af afbryderen.
 - Afbryderen springer til positionen Fra, og motoren stopper.

8 Rengøring og vedligeholdelse

ADVARSEL

Fare for personskader ved isat batteri !

► Fjern altid batteriet før alle pleje- og vedligeholdelsesarbejder!

FARE

Elektrisk stød på grund af manglende beskyttelsesisolering. Under ekstreme anvendelsesbetingelser kan der ved bearbejdning af metaller sætte sig ledende støv (f.eks. metal, kulfibre) inde i maskinen og forringe beskyttelsesisoleringen.

- Anvend et stationært udsugningsanlæg ved ekstreme anvendelsesbetingelser.
- Rengør ventilationsåbningerne ofte.

Pleje af produktet

- Fjern fastsiddende snavs forsigtigt.
- Rengør kun huset med en hårdt opvredet klud. Brug ikke silikoneholdige plejemidler, da de kan angribe plastdelene.
- Brug en ren, tør klud til at rengøre kontakterne på produktet.

Pleje af Li-ion-batterier

- Anvend aldrig et batteri med tilstoppede ventilationsåbninger. Rengør forsigtigt ventilationsåbningerne med en tør, blød børste.
- Undgå, at batteriet unødigt udsættes for støv og snavs. Udsæt aldrig batteriet for høj fugtighed (f.eks. dykke det i vand eller lade det stå ude i regnvej). Hvis et batteri er blevet gennemvådt, skal det behandles som et beskadiget batteri. Isolér det i en ikke-brændbar beholder, og kontakt **Hilti Service**.
- Hold batteriet frit for udefrakommende olie og fedt. Lad ikke unødigt støv og snavs samle sig på batteriet. Rengør batteriet med en tør, blød børste eller en ren, tør klud. Brug ikke silikoneholdige plejemidler, da de kan angribe plastdelene. Berør ikke batteriets kontakter, og fjern ikke fedtsmøringen fra fabrikken fra kontakterne.
- Rengør kun huset med en hårdt opvredet klud. Brug ikke silikoneholdige plejemidler, da de kan angribe plastdelene.

Vedligeholdelse

- Kontrollér regelmæssigt alle synlige dele for skader og betjeningslementerne for fejlfri funktion.
- Anvend ikke produktet i tilfælde af beskadigelse og/eller funktionsfejl. Få straks produktet repareret af **Hilti Service**.
- Monter alle beskyttelsesanordninger efter pleje- og vedligeholdelsesarbejder, og kontrollér dem for korrekt funktion.



Anvend kun originale reservedele og forbrugsmaterialer af hensyn til en sikker drift. Reservedele, forbrugsmaterialer og tilbehør til dit produkt, som **Hilti** har godkendt, finder du i din **Hilti Store** eller under: www.hilti.group



9 Transport og opbevaring af batteridrevet værktøj og batterier

Transport

FORSIGTIG

Utsigtsigt start ved transport !

- ▶ Transportér altid dine produkter uden isat batteri!
- ▶ Tag batteriet/batterierne af.
- ▶ Transportér aldrig batterier liggende løst og ubeskyttet. Under transporten bør batterierne beskyttes mod hårde slag og vibrationer og isoleres fra enhver form for ledende materialer eller andre batterier, så de ikke kommer i kontakt med andre batteripoler og forårsager en kortslutning. **Overhold de lokale transportforskrifter for batterier.**
- ▶ Batterier må ikke sendes med posten. Henvend dig til et transportfirma, hvis du ønsker at sende ubeskadigede batterier.
- ▶ Kontrollér produktet og batterierne for skader hver gang før brug og før og efter længere transport.

Opbevaring

ADVARSEL

Utsigtsigt beskadigelse på grund af defekte eller utætte batterier !

- ▶ Opbevar altid dine produkter uden isat batteri!
- ▶ Opbevar produkt og batterier køligt og tørt. Overhold de temperaturgrænser, der fremgår af de tekniske data.
- ▶ Opbevar ikke batterier i laderen. Tag batteriet ud af laderen, når opladningen er gennemført.
- ▶ Opbevar aldrig batterier i direkte sollys, på varmekilder eller i et vindue.
- ▶ Opbevar produkt og batterier utilgængeligt for børn og uvekkommende personer.
- ▶ Kontrollér produktet og batterierne for skader hver gang før brug og før og efter længere tids opbevaring.

10 Fejlafhjælpning

Vær opmærksom på batteriets ladetilstand- og fejlindikator ved alle fejl. Se kapitlet **Li-ion-batteriets indikatorer**.

Ved fejl, som ikke fremgår af denne tabel, eller som du ikke selv kan afhjælpe, beder vi dig om at kontakte **Hilti Service**.

Fejl	Mulig årsag	Løsning
Det er ikke muligt at tænde produktet.	Batteriet er afladet.	▶ Udskift batteriet, og oplad det tomme batteri.
Batteriet aflades hurtigere end normalt.	Meget lav omgivende temperatur.	▶ Lad batteriet varme langsomt op til rumtemperatur.
Batteriet går ikke i indgreb med et tydeligt klik.	Holdetappen på batteriet er snævset.	▶ Rengør låsetappen, og sæt batteriet i igen.
Kraftig varmeudvikling i vindkølsliber eller batteri.	Elektrisk defekt	▶ Sluk omgående produktet, tag batteriet ud, hold øje med det, lad det køle af, og kontakt Hilti Service .
	Tilstoppede ventilationsåbninger	▶ Rengør ventilationsåbningerne regelmæssigt.
Motoren har ingen bremsefunktion.	Batteriet er afladet.	▶ Udskift batteriet, og oplad det tomme batteri.
	Produktet er kortvarigt overbelastet.	▶ Sluk produktet, og tænd det igen.



11 Bortskaffelse

ADVARSEL

Fare for personskader på grund af ukorrekt bortskaffelse! Sundhedsfare på grund af udtrængen af gasser eller væsker.

- ▶ Beskadigede batterier må under ingen omstændigheder sendes!
- ▶ Tildæk kontakterne med et ikke-ledende materiale, så kortslutninger undgås.
- ▶ Bortskaf batterier på en sådan måde, at børn ikke kan få fat på dem.
- ▶ Bortskaf batteriet hos din **Hilti Store**, eller henvend dig til det ansvarlige renovationsfirma.

Størstedelen af de materialer, som anvendes ved fremstillingen af **Hilti**-produkter, kan genvindes. Materialerne skal dog sorteres, før de kan genvindes. I mange lande kan du aflevere dine udtjente produkter til **Hilti**, som derefter genvinder dem. Spørg **Hiltis** kundeservice eller din forhandler.



- ▶ Elværktøj, elektriske maskiner og batterier må ikke bortskaffes sammen med almindeligt husholdningsaffald!

12 Producentgaranti

- ▶ Hvis du har spørgsmål vedrørende garantibetingelserne, bedes du henvende dig til din lokale **Hilti**-partner.

13 Yderligere oplysninger

Yderligere oplysninger vedrørende betjening, teknik, miljø og recycling finder du under følgende link: qr.hilti.com/manual/?id=2252233&id=2252235&id=2251374

Dette link finder du også sidst i dokumentationen som QR-kode.

Originalbruksanvisning

1 Anvisningar om bruksanvisning

1.1 Om denna bruksanvisning

- **Varning!** Innan du använder produkten ska du se till att du har läst och förstått den bruksanvisning som medföljer produkten, inklusive instruktioner, säkerhets- och varningsanvisningar, bilder och specifikationer. Gör dig särskilt förtrogen med alla anvisningar, säkerhets- och varningsanvisningar, bilder, specifikationer samt beståndsdelar och funktioner. Vid underlåtenhet att göra detta finns fara för elstötar, brand och/eller allvarliga personskador. Spara bruksanvisningen med alla anvisningar, säkerhets- och varningsanvisningar för senare användning.
- **HILTI**-produkter är avsedda för professionella användare och får endast användas, underhållas och repareras av auktoriserad, utbildad personal. Personalen måste vara särskilt informerad om de risker som finns. Produkten och dess tillbehör kan utgöra en risk om den används på ett felaktigt sätt av utbildad personal eller inte används enligt föreskrifterna.
- Den bifogade bruksanvisningen motsvarar den aktuella tekniska nivån vid tidpunkten för tryckningen. Du hittar alltid den senaste versionen online på Hiltis produktsida. Följ länken eller QR-koden i denna bruksanvisning, som är markerad med symbolen .
- Produkten bör endast överlämnas till andra personer tillsammans med denna bruksanvisning.

1.2 Teckenförklaring

1.2.1 Varningar

Varningarna är till för att varna för risker i samband med användning av produkten. Följande riskindikeringar används:

FARA

FARA!

- ▶ Anger överhängande risker som kan leda till svåra personskador eller dödsolycka.



⚠ VARNING

VARNING !

- ▶ Anger potentiella risker som kan leda till svåra personskador eller dödsfall.

⚠ FÖRSIKTIGHET

FÖRSIKTIGHET !

- ▶ Används för att uppmärksamma om en potentiell risksituation som kan leda till skador på person eller utrustning.

1.2.2 Symboler i bruksanvisningen

I den här bruksanvisningen används följande symboler:

	Observera bruksanvisningen
	Anmärkningar och annan praktisk information
	Hantering av återvinningsbara material
	Elverktyg och batterier får inte kastas i hushållssoporna
	Hilti Litiumjonbatteri
	Hilti Batteriladdare

1.2.3 Symboler i bilderna

Följande symboler används i bilder:

	Dessa siffror hänvisar till motsvarande bild i början av bruksanvisningen.
	Numreringen återger ordningsföljden hos arbetsmomenten på bilden och kan skilja sig från arbetsmomenten i texten.
	På bilden Översikt används positionsnummer som hänvisar till siffrorna i teckenförklaringen i avsnittet Produktöversikt .
	Det här tecknet används när du bör vara särskilt uppmärksam vid hantering av produkten.

1.3 Produktspecifika symboler

1.3.1 Symboler på produkten

Följande symboler kan förekomma på produkten:

	Använd skyddsglasögon
n_0	Nominellt varvtal, obelastat
/min	Varv per minut
RPM	Varv per minut
\varnothing	Diameter
	Likström
	Arbeta inte med standardkåpan vid kapning.
	Arbeta alltid med båda händerna.



	Produkten stöder NFC-teknik, som är kompatibel med iOS- och Android-plattformar.
Li-Ion	Litiumjonbatteri
	Använd aldrig batteriet som slagverktyg.
	Låt inte batteriet falla ner på marken. Använd inte batterier som har utsatts för slag eller på annat sätt har skadats.

1.4 Produktinformation

HILTI-produkter är avsedda för professionella användare och får endast användas, underhållas och repareras av auktoriserad, utbildad personal. Personalen måste vara särskilt informerad om de risker som finns. Produkten och dess tillbehör kan utgöra en risk om den används på ett felaktigt sätt av utbildad personal eller inte används enligt föreskrifterna.

Typbeteckning och serienummer anges på typskylten.

- ▶ Använd de serienummer som anges i följande tabell. Du behöver produktuppgifterna när du kontaktar vår återförsäljare eller serviceverkstad.

Produktdetaljer

Batteridrivna vinkelslip	AG 4S-22-125
Generation	02
Serienr	

1.5 Försäkran om överensstämmelse

Härmed intygar tillverkaren med ensamt ansvar att produkten som beskrivs överensstämmer med gällande lagstiftning och standarder. En bild på försäkran om överensstämmelse hittar du i slutet av dokumentationen. Den tekniska dokumentationen finns sparad här:

Hilti Entwicklungsgesellschaft mbH | Zulassung Geräte | Hiltistraße 6 | 86916 Kaufering, Tyskland

2 Säkerhet

2.1 Allmänna säkerhetsföreskrifter för elverktyg

⚠ WARNING Läs noga igenom alla säkerhetsföreskrifter, anvisningar, utbildningar och tekniska data som medföljer detta elverktyg. Om nedanstående anvisningar inte följs, finns risk för elektriska stötar, brand och/eller svåra skador.

Förvara alla säkerhetsföreskrifter och anvisningarna på ett säkert ställe för framtida användning.

Begreppet "elverktyg" som används i säkerhetsföreskrifterna avser nätdrivna elverktyg (med nätkabel) och batteridrivna elverktyg (sladdlösa).

Säker arbetsmiljö

- ▶ **Håll arbetsområdet rent och väl belyst.** Oordning eller bristfällig belysning på arbetsplatsen kan leda till olyckor.
- ▶ **Arbeta inte med elverktyget i omgivning med explosionsrisk där det finns brännbara vätskor, gaser eller damm.** Elverktyg alstrar gnistor som kan antända dammet eller gaserna.
- ▶ **Håll barn och obehöriga personer på betryggande avstånd under arbetet med elverktyget.** Om du störs av obehöriga personer kan du förlora kontrollen över verktyget.

Elsäkerhet

- ▶ **Elverktygets elkontakt måste passa till vägguttaget. Elkontakten får absolut inte ändras. Använd inte adapterkontakter tillsammans med skyddsjordade elverktyg.** Originalkontakter och lämpliga vägguttag minskar risken för elstötar.
- ▶ **Undvik kroppskontakt med jordade ytor som rör, värmeelement, spisar och kylskåp.** Det finns en större risk för elstötar om din kropp är jordad.
- ▶ **Skydda elverktyget från regn och väta.** Tränger vatten in i ett elverktyg ökar risken för elstötar.
- ▶ **Använd inte anslutningskabeln på ett felaktigt sätt, t.ex. genom att bära eller hänga upp elverktyget i den eller dra i den för att lossa elkontakten ur vägguttaget. Håll anslutningskabeln på avstånd från värmekällor, olja, vassa kanter och rörliga delar.** Skadade eller tilltrasslade anslutningskablar ökar risken för elstötar.



- ▶ **När du arbetar med ett elverktyg utomhus, använd endast förlängningskablar som är avsedda för utomhusbruk.** Genom att använda en lämplig förlängningskabel för utomhusbruk minskar du risken för elstötar.
- ▶ **Om det är alldeles nödvändigt att använda verktyget i fuktig miljö ska du använda en jordfelsbrytare.** Användning av jordfelsbrytare minskar risken för elstötar.

Personsäkerhet

- ▶ **Var uppmärksam, ha uppsikt över vad du gör och använd elverktyget med förnuft. Använd aldrig elverktyg om du är trött eller påverkad av droger, alkohol eller medicin.** En kort sekund av bristande uppmärksamhet när du arbetar med ett elverktyg kan leda till att du skadar dig själv eller någon annan svårt.
- ▶ **Bär alltid personlig skyddsutrustning och skyddsglasögon.** Genom att använda personlig skyddsutrustning som t.ex. dammskyddsmask, halkfria säkerhetsskor, hjälm eller hörselskydd, beroende på vilket elverktyg du använder och till vad, minskar du risken för kroppsskada.
- ▶ **Undvik oavsiktlig igångsättning. Se till att elverktyget är fränkopplat innan du ansluter det till nätströmmen och/eller batteriet, tar upp det eller bär det.** Om du bär elverktyget med fingret på strömbrytaren eller ansluter ett tillkopplat verktyg till nätströmmen kan en olycka inträffa.
- ▶ **Ta bort alla inställningsverktyg och skruvnycklar innan du kopplar in elverktyget.** Ett verktyg eller en nyckel i en roterande komponent kan leda till skador.
- ▶ **Undvik en onormal kroppshållning. Se till att du står stadigt och håller balansen.** Då kan du lättare kontrollera elverktyget i oväntade situationer.
- ▶ **Bär lämpliga kläder. Bär inte löst hängande kläder eller smycken. Håll håret, kläderna och handskarna på avstånd från rörliga delar.** Löst hängande kläder, smycken och långt hår kan dras in av roterande delar.
- ▶ **När du använder elverktyg med anordningar för uppsugning och uppsamling av damm, bör du kontrollera att dessa anordningar är rätt monterade och används korrekt.** Används en dammsugare kan faror som orsakas av damm minskas.
- ▶ **Invagga dig inte i falsk säkerhet och strunta inte säkerhetsreglerna för elverktyg även om du har stor vana vid att arbeta med elverktyget.** Oförsiktig hantering kan leda till allvarliga skador inom bråkdelar av en sekund.

Användning och hantering av elverktyg

- ▶ **Överbelasta inte verktyget. Använd elverktyg som är avsedda för det aktuella arbetet.** Med ett lämpligt elverktyg kan du arbeta bättre och säkrare inom angivet effektområde.
- ▶ **Använd aldrig elverktyget om strömbrytaren är defekt.** Ett elverktyg som inte kan kopplas in eller ur är farligt och måste repareras.
- ▶ **Dra ut elkontakten ur uttaget och/eller ta i förekommande fall bort det löstagbara batteriet innan du gör inställningar, byter tillbehör eller lägger ifrån dig verktyget.** Denna skyddsåtgärd förhindrar att du eller någon annan råkar sätta igång elverktyget av misstag.
- ▶ **Förvara elverktyg oåtkomligt för barn. Verktyget får inte användas av personer som inte är vana eller inte har läst dessa anvisningar.** Elverktyg är farliga om de används av oerfarna personer.
- ▶ **Underhåll elverktygen och tillbehören noggrant. Kontrollera att rörliga komponenter fungerar felfritt och inte kärvar och att komponenter inte har brustit eller skadats så att elverktygets funktion påverkas negativt. Se till att skadade delar repareras innan verktyget används igen.** Många olyckor orsakas av dåligt skötta elverktyg.
- ▶ **Håll insatsverktygen skarpa och rena.** Omsorgsfullt skötta insatsverktyg med skarpa egg kommer inte så lätt i kläm och går lättare att styra.
- ▶ **Använd elverktyg, tillbehör, insatsverktyg osv. enligt dessa anvisningar. Ta hänsyn till arbetsvillkoren och arbetsmomenten.** Används elverktyget på icke ändamålsenligt sätt kan farliga situationer uppstå.
- ▶ **Se till att handtaget och greppytorna är torra, rena och fria från olja och fett.** Med hala handtag och gripytor går det inte att hantera och kontrollera elverktyget säkert i oväntade situationer.

Användning och hantering av batteriverktyg

- ▶ **Ladda endast batterierna i de laddare som tillverkaren har rekommenderat.** Brandrisk kan uppstå om en laddare som är avsedd för en viss typ av batterier används för andra batterityper.
- ▶ **Använd endast batterier som är avsedda för aktuellt elverktyg.** Används andra batterier finns det risk för kroppsskada och brand.
- ▶ **Håll gem, mynt, nycklar, spikar, skruvar och andra små metallföremål på avstånd från reservbatterier för att undvika kortslutning av kontakterna.** En kortslutning av batteriets kontakter kan leda till brännskador eller brand.



- ▶ **Om batteriet används på fel sätt kan vätska rinna ur batteriet. Undvik kontakt med vätskan. Vid oavsiktlig kontakt, skölj med vatten. Om vätska kommer i kontakt med ögonen, uppsök dessutom läkare.** Batterivätskan kan orsaka hudirritation eller brännskada.
- ▶ **Använd aldrig skadade eller egenhändigt modifierade batterier.** Skadade eller modifierade batterier kan bete sig oförutsägbart och orsaka brand, explosioner eller risk för skador.
- ▶ **Utsätt aldrig batterier för öppen eld eller för höga temperaturer.** Öppen eld eller temperaturer över 130 °C (265 °F) kan orsaka explosion.
- ▶ **Följ alla anvisningar för laddning och ladda aldrig batteriet eller batteriverktyget vid temperaturer som ligger utanför det intervall som anges i bruksanvisningen.** Felaktigt utförd laddning eller laddning vid temperaturer utanför det tillåtna intervallet kan förstöra batteriet och öka risken för brand.

Service

- ▶ **Låt endast kvalificerad fackpersonell reparera elverktyget och använd då endast originalreservdelar.** Detta garanterar att verktygets säkerhet upprätthålls.
- ▶ **Utför aldrig underhåll på skadade batterier.** Underhåll av batterier får endast utföras av tillverkaren eller av auktoriserade kundservicecenter.

2.2 Säkerhetsanvisningar för alla arbeten

Gemensamma säkerhetsföreskrifter för slipning, sandpappersslipning, arbeten med stålborste, polering och kapslipning:

- ▶ **Det här elverktyget kan användas som slipmaskin, sandpappersslip, stålborste, polermaskin, hålsåg och kapslipmaskin. Observera alla säkerhetsföreskrifter, anvisningar, bilder och instruktioner som medföljer verktyget.** Om följande anvisningar inte följs kan det leda till elstöt, brand och/eller svåra skador.
- ▶ **Elverktyget får inte modifieras så att det fungerar på ett annat sätt än hur det har utformats och angivits av tillverkaren.** I annat fall kan dessa modifieringar leda till förlorad kontroll av verktyget och orsaka allvarliga personskador.
- ▶ **Använd inte tillbehör som inte har utvecklats särskilt för elverktyget och godkänts av tillverkaren.** Även om tillbehöret går att fästa på verktyget innebär detta inte nödvändigtvis att det är säkert att använda.
- ▶ **Tillåtet varvtal för insatsverktyget måste vara minst så högt som det högsta varvtal som anges på elverktyget.** Tillbehör som roterar snabbare än tillåtet kan brytas sönder och sprätta iväg.
- ▶ **Insatsverktygets ytterdiameter och tjocklek måste motsvara måttangivelsen för elverktyget.** Insatsverktyg med felaktiga mått kan inte skärmas av ordentligt eller kontrolleras tillräckligt.
- ▶ **Insatsverktyg med gänginsats ska passa spindelns gänga exakt. För insatsverktyg som monteras med hjälp av fläns ska insatsverktygets håldiameter passa till flänsens kopplingsdiameter.** Insatsverktyg som inte fästs ordentligt vid elverktyget roterar ojämnt och vibrerar mycket starkt, vilket kan göra att du förlorar kontrollen över dem.
- ▶ **Använd aldrig skadade insatsverktyg. Kontrollera före varje användning att slipskivorna inte har spruckit eller rivits sönder, att slipondellerna inte har rivits sönder eller slitits onormalt mycket samt att stålborstarna inte har lösa eller avbrutna borst. Om du tappar elverktyget eller insatsverktyget måste du kontrollera att det inte har skadats. Byt till ett nytt insatsverktyg vid behov. När du har kontrollerat och satt i slipinsatsen ska verktyget köras en minut med högsta varvtal. Håll dig och andra personer borta från det roterande slipverktyget under tiden. Om insatsverktyget är skadat går det oftast sönder redan under testkörningen.**
- ▶ **Använd personlig skyddsutrustning. Beroende på användningsområde bör du använda ansiktsmask, ögonskydd eller skyddsglasögon. Använd om möjligt dammskyddsmask, hörselskydd och skyddshandskar eller specialförkläde, som filtrerar bort små slip- och materialpartiklar. Skydda ögonen mot kringflygande partiklar som uppstår vid vissa användningsområden. Dammskyddsmasker ska filtrera bort det damm som uppstår vid användningen. Om du utsätts för buller under en längre tid kan din hörsel skadas.**
- ▶ **Se till att andra personer håller sig på behörigt avstånd från arbetsområdet. Alla personer som vistas i arbetsområdet måste använda personlig skyddsutrustning.** Delar som splittras från arbetsstycket eller insatsverktyg som går av kan flyga iväg och orsaka skador även utanför själva arbetsområdet.
- ▶ **Håll endast elverktyget i det isolerade handtaget när du utför arbeten där insatsverktyget kan stöta på dolda elledningar.** Vid kontakt med en strömförande ledning kan metalldelar på verktyget bli strömförande och ge dig en stöt.
- ▶ **Lägg aldrig ifrån dig elverktyget innan slipinsatsen har stannat helt.** Det roterande insatsverktyget kan komma i kontakt med arbetsytan och orsaka att du förlorar kontrollen över elverktyget.



- ▶ **Låt inte elverktuget vara igång medan du bär omkring på det.** Du kan fastna med kläderna i det roterande slipverktuget och slipinsatsen kan tränga in i kroppen.
- ▶ **Rengör ventilationspringorna på elverktuget regelbundet.** Motorfläkten drar in damm i hölet och om mycket metalldamm samlas kan det utgöra en elektrisk fara.
- ▶ **Använd aldrig elverktuget i närheten av brännbara material.** Gnistor kan antända materialet.
- ▶ **Använd inte insatsverktyg som kräver flytande kylmedel.** Användning av vatten eller andra flytande kylvätskor kan leda till elstötår.

Kast och motsvarande säkerhetsföreskrifter

Ett kast (kallas även bakslag eller kickback) är den plötsliga reaktionen till följd av att ett roterande insatsverktyg, t.ex. en slipskiva, slipprindell eller stålborste, fastnar eller blockeras. Fastkörning eller blockering leder till ett tvärt stopp av den roterande rörelsen. Därigenom tvingas elverktuget okontrollerat i motsatt riktning mot insatsverktygets rotationsriktning vid blockeringspunkten.

Om t.ex. en slipskiva hakar fast i arbetsstycket kan kanten på slipskivans skära in i arbetsstycket och gå sönder eller orsaka ett kast. Slipskivan rör sig då mot eller bort från användaren beroende på skivans rotationsriktning. Det kan även hända att slipskivan går av.

Ett kast är resultatet av felaktigt eller bristande användning av elverktuget. Det kan förhindras med hjälp av lämpliga försiktighetsåtgärder som beskrivs nedan.

- ▶ **Håll i elverktuget ordentligt med båda händer och placera kroppen och armarna i en position där du kan fånga upp de krafter som uppstår vid ett kast. Använd alltid extrahandtaget om sådant finns för att få största möjliga kontroll över kastkrafterna eller reaktionsmomenten vid start.** Användaren kan klara av kast- och reaktionskrafterna genom att vidta lämpliga försiktighetsåtgärder.
- ▶ **Håll aldrig handen i närheten av roterande insatsverktyg.** Insatsverktyget kan träffa handen vid ett kast.
- ▶ **Undvik att stå i det område som elverktuget träffar vid ett eventuellt kast.** Kastet trycker elverktuget i motsatt riktning mot slipskivans rörelse vid blockeringspunkten.
- ▶ **Var särskilt försiktig när du arbetar i hörn, vid vassa kanter eller liknande. Förhindra att insatsverktyg rekylar från verktyget eller fastnar.** Det roterande slipverktuget tenderar att fastna i hörn, vid vassa kanter eller vid rekyl. Du kan förlora kontrollen över verktyget eller ett bakslag kan uppstå.
- ▶ **Använd inte kedjesågklinga eller tandad sågklinga och inte heller segmenterade diamanthapskivor med bredare slitsar än 10 mm.** Sådana slipskivor orsakar ofta kast eller att du förlorar kontrollen över elverktuget.

Särskilda säkerhetsföreskrifter för slipning och kapslipning:

- ▶ **Använd endast slipskivor som är avsedda för elverktuget och den skyddskåpa som är avsedd för aktuell slipskiva.** Slipskivor som inte är avsedda för elverktuget kan inte skyddas av tillräckligt och har sämre säkerhet.
- ▶ **Slipskivor med försänkt centrum ska monteras på ett sådant sätt att deras slipyta inte sticker ut utanför skyddskåpans kant.** En felaktigt monterad slipskiva som sticker ut utanför skyddskåpans kant kan inte avskärmas tillräckligt.
- ▶ **Skyddskåpan måste fästas ordentligt på elverktuget och för högsta möjliga säkerhet ställas in så att minsta möjliga del av slipsatsen blottas för den som använder verktyget.** Skyddskåpan hjälper till att skydda användaren mot splitter, oavsiktlig kontakt med slipsatsen samt gnistor som kan antända kläderna.
- ▶ **Slipsatserna får endast användas för godkända tillämpningar. Till exempel: Slipa aldrig med sidoytan på en kapskiva.** Kapskivor ska användas för att skala av material med kanten av skivan. Om kraft anbringas från sidan på slipsatsen kan den gå sönder.
- ▶ **Använd alltid oskadade spännflänsar med rätt storlek och form för den slipskiva du valt.** Har du rätt flänsar stöttar de slipskivan och minskar risken för att den går sönder. Flänsar för kapskivor kan se annorlunda ut än flänsar för andra typer av slipskivor.
- ▶ **Använd inte slitna slipskivor från större verktyg.** Slipskivor för större elverktuget är inte avsedda för de högre varvtalen hos mindre verktyg och kan gå sönder.
- ▶ **Använd alltid en skyddskåpa som passar för det aktuella arbetet om du använder en dubbelt värdbar slipskiva.** Användning av fel typ av skyddskåpa kan ge ett otillräckligt skydd och därför leda till svåra personskador.

Ytterligare särskilda varningar för kapslipning:

- ▶ **Undvik att kapskivan blockeras eller ett för högt anpressningstryck. Gör inte alltför djupa snitt.** Om kapskivan överbelastas ökar påfrestningen och risken för kantning eller blockering och därmed risken för bakslag eller att slipsatsen går av.
- ▶ **Håll dig undan från området framför och bakom den roterande kapskivan.** Om du för kapskivan bort från dig på arbetsstycket och ett kast inträffar kan elverktuget med den roterande skivan kastas direkt mot dig.



- ▶ **Om kapskivan fastnar eller om du avbryter arbetet ska du koppla från verktyget och hålla det stilla tills skivan stannat helt. Försök aldrig att dra loss skivan ur snittet medan den fortfarande roterar – ett kast kan uppstå.** Ta reda på och åtgärda orsaken till att skivan fastnat.
- ▶ **Slå inte på elverktyget igen medan det sitter fast i arbetsstycket. Vänta tills kapskivan nått fullt varvtal igen innan du försiktigt fortsätter med snittet.** Annars kan skivan haka fast, hoppa ur arbetsstycket eller orsaka kast.
- ▶ **Stötta upp plattor eller stora arbetsstycken för att minska risken för kast genom att kapskivan fastnar.** Stora arbetsstycken kan böjas av sin egen vikt. Arbetsstycket måste stöttas på båda sidor om skivan, både i närheten av kapsnittet och vid kanten.
- ▶ **Var extra försiktig vid ”fickskäring” i befintliga väggar eller andra områden som du inte har full uppsikt över.** När kapskivan tränger igenom väggen kan den träffa en gas-, vatten- eller elledning eller något annat objekt och orsaka kast.
- ▶ **Försök inte att göra ett kurvformat snitt vid kapning.** Om kapskivan överbelastas ökar påfrestningen och risken för kantning eller blockering och därmed risken för kast eller att slipinsatsen går av. Detta kan i sin tur leda till svåra personskador.

Särskilda säkerhetsföreskrifter för sandpappersslipning:

- ▶ **Använd endast slippapper med rätt storlek. Följ tillverkarens anvisningar om slippappersstorlek.** Slippapper som sticker ut för långt över sliprondellens kant orsaka personskador eller leda till att verktyget blockeras, att slippapperet går sönder eller till kast.

Särskilda säkerhetsföreskrifter för polering:

- ▶ **Säkra alla lösa delar på polerskåpan, framförallt fästsnörena. Stuva undan eller förkorta fästsnörena.** Lösa, roterande fästsnören kan fastna i arbetsstycket, och det finns risk att fastna med fingrarna.

Särskilda säkerhetsföreskrifter för arbeten med stålborste:

- ▶ **Tänk på att stålborstar tappar borst även vid normal användning. Överbelasta inte borsten genom ett för högt anpressningstryck.** Borst som flyger iväg kan mycket lätt tränga igenom tunna kläder och huden.
- ▶ **Om skyddskåpa är ett krav måste du se till att skyddskåpan och stålborsten inte vidrör varandra.** Diametern på tallriks- och skålborstar kan öka på grund av anpressningstrycket och centrifugalkraften.

2.3 Extra säkerhetsföreskrifter

Personsäkerhet

- ▶ Använd endast produkten och dess tillbehör om den är fullt funktionsduglig.
- ▶ Produkten eller dess tillbehör får inte byggas om eller ändras.
- ▶ Håll alltid produkten i handtagen med båda händerna. Se till att handtagen är torra, rena och fria från olja och fett.
- ▶ Om produkten används utan dammsugare måste du använda ett lätt andningsskydd när du arbetar med dammalstrande material.
- ▶ Ta ofta paus i arbetet och utför fingerövningar som ökar blodgenomströmningen i fingrarna. Vid långvarigt, ihållande arbete kan de starka vibrationerna ge besvär i blodkärl och nerver i fingrarna, händerna och handlederna.
- ▶ Rör inte vid roterande delar. Koppla inte in produkten förrän det är i arbetsområdet. Beröring av roterande delar, särskilt roterande bits, kan leda till skador.
- ▶ Vänta tills produkten stannat helt innan du lägger den ifrån dig.
- ▶ Produkten är inte avsedd att användas av personer som saknar förmåga eller nödvändig kunskap. Använd inte produkten när barn finns i närheten.
- ▶ Damm som uppstår vid slipning, polering, kapning och borming kan innehålla farliga kemikalier. Exempel på sådana är: bly eller blybaserade färger, tegel, betong och andra murverksprodukter, natursten och andra produkter som innehåller silikat, Vissa träslag som ek och bok samt kemiskt behandlat trä, asbest eller material som innehåller asbest. Fastställ exponeringen för användaren och personer i närheten av arbetsområdet genom att kontrollera vilken riskklass det material som ska bearbetas tillhör. Vidta nödvändiga åtgärder för att hålla exponeringen på en säker nivå. Använd t.ex. ett dammuppsamlingssystem eller bär lämpligt andningsskydd. Allmänna åtgärder för att minska exponeringen är:
 - ▶ Arbeta i ett välventilerat utrymme,
 - ▶ Undvik längre kontakt med damm,
 - ▶ Led bort damm från ansiktet och kroppen,
 - ▶ Bär skyddskläder och tvätta exponerade områden med tvål och vatten.



- ▶ Användaren och personer som befinner sig i närheten ska använda skyddsglasögon, skyddshjälm och hörselskydd under tiden som verktyget används.
- ▶ Använd skyddshandskar vid verktygsbyte. Det finns risk för skär- och brännskador vid beröring av nys användna insatsverktyg.
- ▶ Risk för personskada på grund av nedfallande verktyg och/eller tillbehör. Kontrollera att batteriet och monterade tillbehör sitter fast ordentligt innan du börjar arbeta.
- ▶ Håll alltid ventilationsspringorna fria. Risk för brännskador om ventilationsspringorna är övertäckta!
- ▶ Sätt inte på produkten förrän den är i arbetsläget.
- ▶ Vänta tills produkten stannat helt innan du lägger den ifrån dig.
- ▶ Om produkten känner av att driftkapaciteten överskrider eller att batteriet är slut, kan det hända att produkten inte går att bromsa via motorn.
- ▶ Fäst inga bälteshakar på denna produkt.

Omsorgsfull hantering och användning av elverktyg

- ▶ Slipskivorna ska förvaras och hanteras med försiktighet enligt tillverkarens anvisningar.
- ▶ Använd aldrig produkten utan skyddskåpa.
- ▶ Spänn fast materialet ordentligt. Sätt fast arbetsstycket i ett skruvstäd eller med någon annan fastspänningsanordning. På så vis hålls arbetsstycket fast bättre än för hand och du har dessutom båda händerna fria för att hantera produkten.
- ▶ Använd inte kapskivor för grovbearbetning.
- ▶ Dra fast insatsverktyget och flänsen så att de sitter stadigt. Om insatsverktyget och flänsen inte skruvas fast ordentligt kan verktyget lossna från spindeln vid frånkopplingen, när rörelsen bromsas av verktygsmotorn.

Elektrisk säkerhet

- ▶ Undersök om det finns dolda el-, gas- och vattenledningar inom arbetsområdet innan du påbörjar arbetet. Utanpåliggande metalldelar på produkten kan orsaka elstöt eller explosion om du skadar en el-, gas- eller vattenledning.
- ▶ Låt **Hilti**-service regelbundet kontrollera produkter som har blivit smutsiga vid upprepad bearbetning av ledande material. Om verktyget är täckt med damm av material med ledande förmåga eller om det är fuktigt kan du riskera att få en elektrisk stöt.

Arbetsplats

- ▶ Vid genombrottsarbeten, tänk på att säkra området på motstående sida. Delar kan lossna och falla ner och skada andra människor.
- ▶ Skärning i bärande väggar och andra strukturer kan påverka dessa, särskilt när armeringsjärn eller bärande delar kapas. Rådgör med konstruktör, arkitekt eller bygplatsansvarig före arbetet.

Ytterligare anvisningar för användning av sprängskydd

För att undvika följande risker ska du alltid använda korrekt sprängskydd, se kapitel: "Tillordning av skivor till använd utrustning".

- ▶ Om standardsprängskydd med framkåpa används vid planslipning kan sprängskyddet komma mot arbetsstycket och leda till att användaren förlorar kontrollen.
- ▶ Om du använder en stålborste, vars tjocklek överskrider den maxtillåtna tjockleken, kan borsten fastna i sprängskyddet och gå av.
- ▶ Vid användning av standardsprängskydd vid kapslipning av metall med abrasiva kapskivor, finns det risk för gnistor och partiklar samt skivsplitter ifall skivan går sönder.
- ▶ Vid användning av standardsprängskydd, med eller utan framkåpa, för kapning och slipning av betong eller tegel, genereras mycket damm och det finns ökad risk för att du tappar kontrollen över produkten, vilket i sin tur kan leda till kast.

2.4 Omsorgsfull hantering och användning av batterier

- ▶ **Observera följande säkerhetsanvisningar för säker hantering och användning av litiumjonbatterier.** Om åtgärderna inte följs kan det leda till hudirritation, svåra frätskador, kemiska brännskador, bränder och/eller explosioner.
- ▶ Använd endast batterier som är fullt funktionsdugliga.
- ▶ Hantera batterierna varsamt för att undvika skador och läckage av hälsovådliga syror!
- ▶ Batterier får absolut inte modifieras eller manipuleras!
- ▶ Batterier får inte tas isär, klämmas, upphettas till mer än 80 °C (176 °F) eller brännas upp.
- ▶ Använd inte och ladda inte batterier som har utsatts för slag eller på annat sätt är skadade. Kontrollera batterierna regelbundet för att se om de uppvisar tecken på skador.
- ▶ Använd aldrig återvunna eller reparerade batterier.



- ▶ Använd aldrig batteriet eller ett batteridrivet elverktyg som slagverktyg.
- ▶ Utsätt aldrig batterierna för direkt solljus, förhöjda temperaturer, gnistor eller öppna lågor. Detta kan leda till explosioner.
- ▶ Rör inte batteripolerna med dina fingrar, verktyg, smycken eller andra elektriskt ledande föremål av metall. Detta kan skada batteriet och orsaka såväl materiella skador som personskador.
- ▶ Håll batterierna borta från regn, väta och vätskor. Fukt som tränger sig in kan orsaka kortslutningar, elstötar, brännskador och explosioner.
- ▶ Använd endast batteriladdare och elverktyg som är avsedda för denna typ av batteri. Läs också igenom uppgifterna i motsvarande bruksanvisning.
- ▶ Använd inte och förvara inte batteriet i explosionsfarliga miljöer.
- ▶ Om batteriet är så hett att du inte kan ta i det kan det vara defekt. Ställ batteriet på en plats där inget riskerar att fatta eld och på betryggande avstånd från brännbart material. Låt batteriet svalna. Om batteriet efter en timme fortfarande är så hett att det inte går att ta i är det defekt. Kontakta **Hilti-service** eller läs dokumentet "Säkerhetsanvisningar vid användning av **Hilti** litiumjonbatterier".

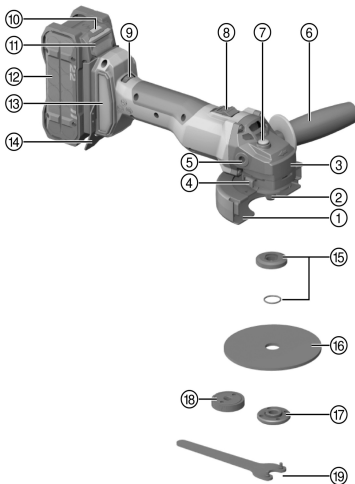


Följ de särskilda föreskrifter som gäller för transport, förvaring och användning av litiumjonbatterier.
→ Sidan 57

Läs säkerhetsanvisningarna för användning av **Hilti** litiumjonbatterier som du hittar genom att skanna QR-koden i slutet av denna bruksanvisning.

3 Beskrivning

3.1 Produktöversikt



- ① Standardskyddskåpa
- ② Spindel
- ③ Rotationsriktningspil
- ④ Upplåsningsknapp för skyddskåpa
- ⑤ Gångbussning för handtag
- ⑥ Sidohandtag
- ⑦ Spindellåsknapp
- ⑧ På/av-knapp
- ⑨ Hastighetsreglage
- ⑩ Statusindikering för batteri
- ⑪ Batteriets upplåsningsknapp
- ⑫ Batteri
- ⑬ Dammfilter
- ⑭ Gnistskydd
- ⑮ Spännfläns med O-ring
- ⑯ Kapslippskiva/skrubbslippskiva
- ⑰ Spännmutter
- ⑱ **Kwik lock**-snabbspännmutter (tillval)
- ⑲ Spännnyckel

3.2 Avsedd användning

Den produkt som beskrivs här är en handhållen batteridriven vinkelslip. Verktyget är avsett att användas för kapslipning och skrubbslipning av metalliska och mineraliska material, för borstning samt sandpappersslipning utan vatten. Produkten ska endast användas för torrslipning/-skärning.

- Använd bara **Hilti** Nuron-litiumjonbatterier av typen B 22 med den här produkten. För optimal effekt rekommenderar **Hilti** att batterierna som anges i tabellen i slutet av bruksanvisningen används för denna produkt.
- Använd endast **Hilti**-batteriladdare från de typserier som anges i tabellen i slutet av bruksanvisningen för dessa batterier.



3.3 Leveransinnehåll

Vinkelslip, sidohandtag, standardskyddskåpa, framkåpa, spännfläns, fästmutter, spännnyckel, dammfilter, bruksanvisning.

Dessutom finns fler systemprodukter för din produkt både i närmaste **Hilti Store** och på nätet: www.hilti.group

3.4 ATC

Verktyget är försett med elektronisk snabbavstängning ATC (Active Torque Control).

Om insatsverktyget blockeras eller kläms fast, vrider sig verktyget plötsligt okontrollerat i motsatt riktning. ATC-funktionen känner av den plötsliga vridrörelsen och stänger genast av verktyget.



För att fungera normalt måste verktyget kunna rotera obehindrat.

Efter snabbavstängning, stäng av verktyget och slå sedan på det igen.

3.5 Motorskyddsfunktion

Funktionen övervakar strömförbrukning och motortemperatur, vilket skyddar produkten mot att överhettas.

Om motorn överbelastas genom för högt anpressningstryck minskar verktygets effekt påtagligt och det kan hända att det stannar.



Om verktyget överbelastas så att det stannar eller tappar varvtalet bör du minska trycket och låta verktyget gå utan belastning i cirka 30 sekunder.

3.6 Integrerad broms

Den integrerade bromsen gör att tiden innan insatsverktyget stannar helt blir kortare.



Den här funktionen är endast tillgänglig så länge produkten är strömförsörd.

Bromstiden skiljer sig åt beroende på valt insatsverktyg.

3.7 Framkåpa

Använd framkåpan med standardskyddskåpan för följande användningar:

- Skrubbslipning med raka skrubbslipskivor
- Kapslipning med kapslipskivor

3.8 Dammsugarkåpa (kapning) DC-EX 125/5" C kompaktkåpa (tillbehör)

Använd kompaktkåpan DC-EX 125/5" C vid kapslipning av mineraliska grundmaterial med diamantkapslipskiva.

Bearbetning av metall får inte utföras med den här kåpan.

3.9 Dammsugarkåpa (kapning) DC-EX 125/5"M (tillbehör)

Kapslipnings- och skärarbeten på mineraliska underlag med diamantkapslipskivor får endast utföras med dammsugarkåpa.

OBS! Bearbetning av metall får inte utföras med den här kåpan.

3.10 Dammsugarkåpa (slipning) DG-EX 125/5" (tillbehör)

Slipsystemet får endast tillfälligt användas för slipning i mineralmaterial med diamantslipskålar.

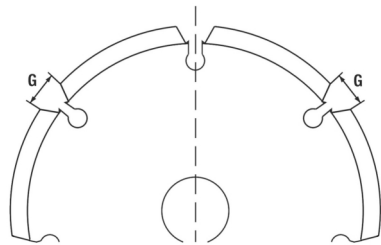
Bearbetning av metall får inte utföras med den här kåpan.



3.11 Geometri för lämpliga diamantskivor

Diamantskivorna måste motsvara följande geometriska angivelser.

Teknisk information	
Mellanrum mellan segmenten (G)	≤ 10 mm
Skärvinkel	negativ



3.12 Indikering för litiumjonbatteriet

Hilti Nuron litiumjonbatterier kan visa laddningsstatus, felmeddelanden och batteristatus.

3.12.1 Visning av laddningsstatus och felmeddelanden

VARNING

Risk för personskada på grund av nedfallande batterier.

- När du har satt i batteriet och tryckt ner frigöringsknappen, kontrollera att batteriet har hakat i korrekt i verktyget igen.

För att visa följande indikeringar, tryck ner batteriets frigöringsknapp.

Laddningsstatus och eventuella störningar visas så länge den anslutna produkten är påslagen.

Status	Betydelse
Fyra (4) lysdioder lyser med fast grönt sken	Laddningsstatus: 100 % till 71 %
Tre (3) lysdioder lyser med fast grönt sken	Laddningsstatus: 70 % till 51 %
Två (2) lysdioder lyser med fast grönt sken	Laddningsstatus: 50 % till 26 %
En (1) lysdiod lyser med fast grönt sken	Laddningsstatus: 25 % till 10 %
En (1) lysdiod blinkar långsamt grönt	Laddningsstatus: < 10 %
En (1) lysdiod blinkar snabbt grönt	Litiumjonbatteriet är helt urladdat. Ladda batteriet. Kontakta Hilti -service om lysdioden fortfarande blinkar snabbt efter att batteriet har laddats.
En (1) lysdiod blinkar snabbt gult	Litiumjonbatteriet eller den anslutna produkten är överbelastad, för varm, för kall eller så föreligger ett annat fel. Ställ in produkten och batteriet på den rekommenderade arbetstemperaturen och undvik att överbelasta produkten vid användning. Kontakta Hilti -service om meddelandet kvarstår.
En (1) lysdiod lyser gult	Litiumjonbatteriet och produkten är inte kompatibla med varandra. Kontakta Hilti -service.
En (1) lysdiod blinkar snabbt rött	Litiumjonbatteriet är spärrat och kan inte användas. Kontakta Hilti -service.

3.12.2 Visning av batteristatus

För att kontrollera batteriets status, håll frigöringsknappen nedtryckt i minst tre sekunder. Systemet registrerar inga potentiella funktionsfel i batteriet till följd av missbruk som t.ex. fall, punkteringsskador, externa värmeskador osv.

Status	Betydelse
Alla lysdioder lyser i turordning och därefter lyser en (1) lysdiod grönt.	Batteriet kan fortfarande användas.
Alla lysdioder lyser i turordning och därefter blinkar en (1) lysdiod snabbt gult.	Begäran om batteristatus kunde inte slutföras. Upprepa proceduren eller kontakta Hilti -service.



Status	Betydelse
Alla lysdioder lyser i turordning och därefter lyser en (1) lysdiod med fast rött sken.	Om en ansluten produkt kan fortsätta användas är den kvarvarande batterikapaciteten under 50 %. Om en ansluten produkt inte kan användas längre har batteriet nått slutet på sin livslängd och måste bytas ut. Kontakta Hilti -service.

4 Förbrukningsartiklar

Använd endast konsthartsbundna fiberarmerade skivor för max. Ø 125 mm. Skivorna måste vara godkända för ett varvtal på minst 11000 varv/min och en periferihastighet på 80 m/s.

OBS! Använd alltid standardskyddskåpan med extra framkåpa eller en helt sluten dammsugarkåpa vid kapning och skärning med kapslippskiva.

Skivor

Typ	Användningsområden	Förkortning	Underlag	max. tjocklek	max. diameter
Abrasive kapslippskiva	Kapslipning, skärning	AC-D	metalliskt	2,5 mm	125 mm
Diamantkapslippskiva	Kapslipning, skärning	DC-TP, DC-D (SPX, SP, P)	mineraliskt	3 mm	125 mm
Abrasive skrubbslippskiva	Skrubbslipning	AG-D, AF-D, AN-D	metalliskt	6,4 mm	125 mm
Diamantskrubbslippskiva	Skrubbslipning	DG-CW (SPX, SP, P)	mineraliskt	-	125 mm
Stålbörste	Stålbörstar	3CS, 4CS, 3SS, 4SS	metalliskt	- 27 mm	75 mm 125 mm
Diamantborrkrona	Kakelborring	DD-M14	mineraliskt	-	125 mm
Fiberskiva	Skrubbslipning	AP-D	metalliskt	-	125 mm

Tillordning av skivor till använd utrustning

Artikel	Utrustning	AC-D	AP-D	AG-D, AF-D, AN-D	DG-CW (SPX, SP, P)	DC-TP, DC-D (SPX, SP, P)	3CS, 4CS, 3SS, 4SS, DD-M14
A	Sprängskydd (standard)	✓	✓	✓	✓	✓	✓
B	Framkåpa (tillsammans med A)	✓	—	—	—	✓	—
C	Dammsugarkåpa (slipning) DG-EX 1255"	—	—	—	✓	—	—
D	Dammsugarkåpa (kapning) DC-EX 1255"C (i kombination med A)	—	—	—	—	✓	—
E	Dammsugarkåpa (skärning) DC-EX 1255"M	—	—	—	—	✓	—
F	Adapter DC-EX SL (i kombination med E)	—	—	—	—	✓	—
G	Sidohandtag (standard)	✓	✓	✓	✓	✓	✓
H	Fästmutter (standard)	✓	—	✓	✓	✓	—
I	Spännfläns (standard)	✓	—	✓	✓	✓	—



Arti- kel	Utrustning	AC-D	AP-D	AG-D, AF-D, AN-D	DG-CW (SPX, SP, P)	DC-TP, DC-D (SPX, SP, P)	3CS, 4CS, 3SS, 4SS, DD-M14
J	Kwik lock (tillval till H)	✓	—	✓	—	✓	—
K	Fästmutter (fiberski- va)	—	✓	—	—	—	—
L	Stödskiva (fiberskiva)	—	✓	—	—	—	—

5 Teknisk information

	AG 4S-22-125
Märkspänning	21,6 V
Mätvarvtal	8 500 varv/min
Maximal skivdiameter	125 mm
Vikt enligt EPTA-procedur 01, utan batteri	2,1 kg
Gänga drivspindel	M14
Spindellängd	22 mm
Omgivningstemperatur vid drift	-17 °C ... 60 °C (1 °F ... 140 °F)
Förvaringstemperatur	-20 °C ... 70 °C (-4 °F ... 158 °F)

5.1 Batteri

Batteriets driftspänning	21,6 V
Batteriets vikt	Se slutet av denna bruksanvisning
Omgivningstemperatur vid drift	-17 °C ... 60 °C (1 °F ... 140 °F)
Förvaringstemperatur	-20 °C ... 40 °C (-4 °F ... 104 °F)
Batteritemperatur när laddningen påbörjas	-10 °C ... 45 °C (14 °F ... 113 °F)

5.2 Bullerinformation och vibrationsvärden enligt 62841-2-3:2021

De ljudtrycks- och vibrationsvärden som anges i anvisningarna har uppmätts med en standardiserad mätmetod och kan användas för att jämföra olika elverktyg med varandra. De kan också användas för att göra en preliminär uppskattning av exponeringarna.

De angivna värdena representerar borrhammarens huvudsakliga användning. När elverktyget begagnas inom andra områden, med andra insatsverktyg eller med otillräckligt underhåll, kan mätning ge avvikande värden. Det innebär att exponeringen under den totala arbetstiden kan ökas betydligt.

För att uppskattningen av exponeringarna ska bli exakt bör man också räkna in de tider då elverktyget är avstängt eller då det är påslaget men inte används. Det kan betydligt minska exponeringen under den totala arbetstiden.

Vidta även andra säkerhetsåtgärder för att skydda användaren mot effekterna av buller och vibrationer, exempelvis: underhåll av elverktyg och insatsverktyg, möjlighet att hålla händerna varma, välorganiserade arbetsförlopp.

Slipning av tunn plåt eller andra lättvibrerande strukturer med stor yta kan leda till en förhöjd ljudnivå som är mycket högre än angivna bullervärden. Ljudnivån kan reduceras genom ljuddämpande åtgärder, som t.ex. genom övertäckning med tunga, flexibla ljuddämpande mattor. Ta alltid hänsyn till dessa värden vid riskbedömning av ljudnivåer och val av lämpligt hörselskydd.



Bullerinformation

	AG 4S-22-125
Ljudtrycksnivå (L_{pA})	89 dB(A)
Osäkerhet ljudtrycksnivå (K_{pA})	3 dB(A)
Ljudeffektnivå (L_{WA})	97 dB(A)
Osäkerhet ljudeffektnivå (K_{WA})	3 dB(A)

Vibrationsinformation

Andra tillämpningar, t.ex. kapning, kan ge upphov till andra vibrationsvärden.

	AG 4S-22-125	
Ytslipning (a_{h,AG})	B 22-55	5,1 m/s ²
	B 22-255	5,4 m/s ²
Osäkerhet (K)		1,5 m/s ²

6 Förberedelser för arbete**⚠ VARNING****Risk för personskada till följd av oavsiktlig start!**

- ▶ Kontrollera att produkten är avstängd innan du sätter i batteriet.
- ▶ Ta alltid bort batteriet innan du gör några inställningar på verktyget eller byter tillbehördelar.

Observera de säkerhets- och varningsanvisningar som du hittar i dokumentationen och på själva enheten.

6.1 Laddning av batteri

1. Läs batteriladdarens bruksanvisning innan du laddar batteriet.
2. Se till att batteriets och batteriladdarens sladdar är rena och torra.
3. Ladda batteriet i en godkänd batteriladdare. → Sidan 47

6.2 Sätta i batteriet**⚠ VARNING****Risk för personskada på grund av kortslutning eller nedfallande batteri!**


- ▶ Kontrollera innan du sätter in batteriet i produkten att både batteriets och produktens kontakter är fria från smuts och andra hinder.
- ▶ Säkerställ att batteriet alltid hakar i ordentligt.

1. Ladda batterierna helt innan de används första gången.
2. Skjut in batteriet i produkten tills det hakar i med ett klick.
3. Kontrollera att batteriet sitter stadigt.

6.3 Ta ut batteriet

1. Tryck in upplåsningsknappen till batteriet.
2. Dra ut batteriet ur produkten.

6.4 Montera Hilti-fästband (tillval) 

-  Följ alltid tillämpliga bestämmelser för arbete på höjd.
- Läs fästbandets bruksanvisning.

1. Lägg fästbandets båda öglor så att de passar exakt på gnistskyddet.
2. Sätt fast fästbandet med tillhörande skruvar genom att sätta in skruvarna i de avsedda hålen i gnistskyddet.
3. Sätt i batteriet. → Sidan 52



6.5 Fallskydd

VARNING

Risk för personskada på grund av nedfallande verktyg och/eller tillbehör!

- ▶ Använd bara den **Hilti**-verktygslina som är rekommenderad för din produkt.
- ▶ Kontrollera om verktygslinans fästpunkt är skadad inför varje användning.



Observera nationella föreskrifter för arbeten på höga höjder.

Använd uteslutande en kombination av **Hilti** fästband #2293133 med **Hilti** verktygslina #2261970 som fallskydd för denna produkt.

- ▶ Haka fast fästbandet i öppningen för tillbehör. Kontrollera att det sitter stadigt fast.
- ▶ Fäst verktygslinans ena karbinhake i fästbandet och den andra karbinhaken i en bärande struktur. Kontrollera att båda karbinhakarna sitter stadigt fast.



Följ bruksanvisningen till **Hilti** fästband samt **Hilti** verktygslina.

6.6 Montera sidohandtaget

- ▶ Skruva fast sidohandtaget i en av de avsedda gängbussningarna.

6.7 Montering och demontering av skyddskåpa

FÖRSIKTIGHET

Risk för personskada. Insatsverktyget kan vara hett och ha skarpa kanter.

- ▶ Använd alltid skyddshandskar vid montering, demontering, justeringsarbeten och störningsåtgärder.
- ▶ Läs monteringsanvisningarna för aktuell skyddskåpa.

6.7.1 Montera Standardskyddskåpa



Skyddskåpan har styrklackar som garanterar att endast en skyddskåpa som passar på produkten kan monteras. Styrklackarna på skyddskåpan passas in i produktens fästen för kåpan.

1. Placera skyddskåpan på spindelkragen så att de båda trianglarna på skyddskåpan och verktyget står mitt för varandra.
2. Tryck fast skyddskåpan på spindelhalsen.
3. Tryck på kåpans upplåsningsknapp och vrid skyddskåpan till önskat läge tills den hakar fast.
 - ▶ Kåpans upplåsningsknapp fjädrar tillbaka.

6.7.2 Justera standardskyddskåpa

- ▶ Tryck på kåpans upplåsningsknapp och vrid skyddskåpan till önskat läge tills den hakar fast.

6.7.3 Demontera Standardskyddskåpa

1. Tryck på kåpans upplåsningsknapp och vrid skyddskåpan tills de båda trianglarna på skyddskåpan och verktyget står mitt för varandra.
2. Ta av skyddskåpan.

6.8 Montering och demontering av framkåpa



Framkåpan måste sättas fast på standardskyddskåpan.

1. Sätt fast framkåpan på standardskyddskåpan med den slutna sidan uppåt.
 - ▶ Låset måste klicka till hörbart.
2. Öppna framkåpans lås för att demontera.



3. Demontera framkåpan från standardskyddskåpan.

6.9 Montering och demontering av insatsverktyg

FÖRSIKTIGHET

Risk för personskada. Insatsverktyget kan vara mycket varmt.

- ▶ Använd alltid skyddshandskar när du byter insatsverktyg.



Diamantskivor ska bytas så snart du märker att skär- eller slipeffekten sjunker. I allmänhet inträffar det när diamantsegmentens höjd är mindre än 2 mm.

Andra typer av skivor ska bytas så snart skäreffekten tydligt sjunker eller delar av vinkelslipen (andra än skivan) kommer i kontakt med arbetsmaterialet under arbete.

Slipskivor ska bytas när utgångsdatum löper ut.

6.9.1 Sätta i insatsverktyg

VARNING

Risk för personskada. Insatsverktyget kan lossna vid inbromsning av verktygsmotorn.

- ▶ Vänta tills insatsverktyget har stannat innan du rör vid verktyget eller spännmuttern.
- ▶ Dra åt insatsverktyget och spännflänsen med spännmuttern så att inga delar kan lossna från spindeln vid inbromsning av verktygsmotorn.

1. Rengör spännflänsen och spännmuttern.
2. Kontrollera att spännflänsens O-ring sitter på plats och inte är skadad.
 - ▶ Ersätt O-ringen om den är skadad eller saknas.
3. Sätt fast spännflänsen på spindeln och passa in den noga så att den inte kan vridas.
4. Sätt på insatsverktyget.
5. Skruva fast spännmuttern som motsvarar det insatta verktyget.
6. Tryck på spindellåsknappen och håll den intryckt.
7. Dra åt spännmuttern med spännnyckeln, lossa sedan spindellåsknappen och ta bort spännnyckeln.

6.9.2 Demontera insatsverktyg

VARNING

Risk för skador på verktyget. Om spindellåsknappen trycks ner medan spindeln roterar kan insatsverktyget lossna.

- ▶ Tryck endast ner spindellåsknappen när spindeln står still.
1. Tryck på spindellåsknappen och håll den intryckt.
 2. Lossa spännmuttern genom att vrida den moturs med spännnyckeln.
 3. Släpp spindellåsknappen och ta bort insatsverktyget.

6.9.3 Montera **Kwik lock**

VARNING

Risk för verktygsskador. Vid stark förslitning kan **Kwik lock**-spännmuttern gå sönder.

- ▶ Se till att **Kwik lock**-spännmuttern inte har kontakt med underlaget under arbetet.
- ▶ Använd inte **Kwik lock**-snabbspännmutterar som är skadade.



I stället för den vanliga spännmuttern kan **Kwik lock**-snabbspännmuttern (tillval) användas. Inga andra verktyg behövs då för att byta insatsverktyg.

1. Rengör spännflänsen och spännmuttern.
2. Kontrollera att spännflänsens O-ring sitter på plats och inte är skadad.
 - ▶ Ersätt O-ringen om den är skadad eller saknas.
3. Sätt fast spännflänsen på spindeln och passa in den noga så att den inte kan vridas.
4. Sätt på insatsverktyget.
5. Skruva fast **Kwik lock**-snabbspännmuttern på insatsverktyget.
 - ▶ Texten **Kwik lock** syns när muttern är fastskruvad.



6. Tryck och håll in spindellåsknappen.
7. Vrid insatsverktyget medurs för hand med kraftiga tag tills snabbspännmuttern **Kwik lock** sitter fast.
8. Släpp spindellåsknappen.

6.9.4 Demontera **Kwik lock**



Om det inte går att lossa snabbspännmuttern **Kwik lock** för hand sätter du på en spännyckel på snabbspännmuttern och vrid spännyckeln moturs. Använd aldrig rörtång. Snabbspännmuttern **Kwik lock** kan skadas om fel verktyg används.

1. Tryck på spindellåsknappen.
2. Lossa snabbspännmuttern **Kwik lock** genom att vrida den moturs för hand.
3. Släpp spindellåsknappen och ta bort insatsverktyget.

6.9.5 Montera borrhkronan **11**

1. Montera sidohandtaget. → Sidan 53
2. Montera standardskyddskåpan.
3. Sätt på borrhkronan och skruva fast den för hand.
4. Tryck på spindellåsknappen och håll den intryckt.
5. Dra fast borrhkronan med en lämplig U-nyckel.
6. Lossa sedan spindellåsknappen och avlägsna U-nyckeln.

6.9.6 Montera stålborste **12**

1. Montera sidohandtaget. → Sidan 53
2. Montera standardskyddskåpan.
3. Sätt på stålborsten och skruva fast den för hand.
4. Tryck på spindellåsknappen och håll den intryckt.
5. Dra fast stålborsten med en lämplig U-nyckel.
6. Lossa sedan spindellåsknappen och avlägsna U-nyckeln.

6.9.7 Montera fiberskiva **16**

1. Montera sidohandtaget. → Sidan 53
2. Montera standardskyddskåpan.
3. Sätt fast stödskivan och fiberskivan. Skruva fast spännmuttern.
4. Tryck på spindellåsknappen och håll den intryckt.
5. Dra åt fästmuttern med spännyckeln.
6. Lossa sedan spindellåsknappen och ta bort spännyckeln.

7 Användning

7.1 Tillkoppling

1. Tryck på den bakre delen av på/av-knappen.
2. Skjut på/av-knappen framåt.
 - ▶ Motorn går.
3. Lås fast på/av-knappen.

7.2 Slipning



VARNING

Risk för personskada. Insatsverktyget kan plötsligt fastna eller bli blockerat.

- ▶ Använd alltid produktens sidohandtag och håll i produkten med båda händerna.

Förhindra att insatsverktyget blockeras och undvik att utsätta produkten för högt tryck.



7.3 Kapslipning

- ▶ Arbeta med måttlig matning vid kapslipning och vinkla inte verktyget eller kapslipskivan (arbetsposition ca 90° mot skärplanet).



Profiler och små fyrkantör kapas lättast om kapslipskivan används tvärs över den minsta arean.

7.4 Skrubbslipning

VARNING

Risk för personskada. Kapslipskivan kan spricka och ivägskjutande delar kan skada personer i närheten.

- ▶ Använd aldrig kapslipskivor för skrubbslipning.
- ▶ Rör verktyget fram och tillbaka med måttligt tryck och en anliggningsvinkel på 5° till 30°.
 - ▶ Då blir arbetsstycket varken för varmt eller missfärgat och det blir inga räfflor.

7.5 Frånkoppling

- ▶ Tryck på den bakre delen av på/av-knappen.
 - ▶ På/av-knappen fjädrar ut till Av-position och motorn stannar.

8 Skötsel och underhåll

VARNING

Risk för personskada vid anslutet batteri !

- ▶ Ta alltid bort batteriet innan skötsel och underhåll utförs!

FARA

Elstötar på grund av bristfällig skyddsisolering. Under extrema insatsförhållanden kan ledande damm (t.ex. metall, kolfiber) fastna inuti verktyget och skada skyddsisoleringen vid metallbearbetning.

- ▶ Använd därför alltid en stationär frånsugsanläggning vid extrema insatsförhållanden.
- ▶ Rengör ventilationsspringan med jämna mellanrum.

Skötsel av produkten

- Ta försiktigt bort smuts som sitter fast.
- Rengör höljet bara med en lätt fuktad trasa. Använd inte rengöringsmedel med silikon, eftersom det kan skada plastdelarna.
- Använd en ren och torr trasa för att rengöra produktens kontakter.

Skötsel av litiumjonbatterier

- Använd aldrig ett batteri med tilltäppta ventilationsspringor. Rengör ventilationsspringorna försiktigt med en torr och mjuk borste.
- Undvik att utsätta batteriet för damm eller smuts i onödan. Utsätt aldrig batteriet för hög fuktighet (t.ex. sänka ner det i vatten eller lämna det ute i regnet). Om ett batteri har blivit blött behandlar du det som ett skadat batteri. Isolera det i en icke brännbar behållare och kontakta **Hilti-service**.
- Håll batteriet fritt från främmande olja och fett. Låt inte onödigt mycket damm eller smuts ansamlas på batteriet. Rengör batteriet med en mjuk borste eller en ren och torr trasa. Använd inte rengöringsmedel med silikon, eftersom det kan skada plastdelarna. Rör inte vid batteriets kontakter och ta inte bort fett som har applicerats på kontakterna i fabriken.
- Rengör höljet bara med en lätt fuktad trasa. Använd inte rengöringsmedel med silikon, eftersom det kan skada plastdelarna.

Underhåll

- Kontrollera regelbundet att inga synliga delar har skadats och att alla reglage fungerar som de ska.
- Använd inte produkten om den uppvisar skador eller funktionsstörningar. Låt **Hilti Service** reparera produkten omgående.
- Efter skötsel- och underhållsarbeten ska alla skyddsanordningar monteras igen och kontrolleras.



i Använd endast originalreservdelar och förbrukningsmaterial för säker drift. Godkända reservdelar, förbrukningsmaterial och tillbehör till din produkt från **Hilti** hittar du i närmaste **Hilti Store** eller på: www.hilti.group

9 Transport och förvaring av sladdlösa verktyg och batterier

Transport

FÖRSIKTIGHET

Oavsiktlig start under transport. !

- ▶ Transportera alltid produkten utan insatta batterier.
- ▶ Ta ut batteriet/batterierna.
- ▶ Transportera aldrig batterierna löst liggande. Under transport ska batterierna skyddas mot alltför hårda stötar och vibrationer samt hållas isolerade från eventuella ledande material eller andra batterier så att de inte kommer i kontakt med andra batteripoler och orsakar en kortslutning. **Observera lokala transportföreskrifter för batterier.**
- ▶ Batterier får inte skickas per post. Vänd dig till ett fraktbolag om du vill skicka intakta batterier.
- ▶ Kontrollera produkt och batterier före varje användning samt före och efter längre transport för att se till att de inte är skadade.

Förvaring

VARNING

Oavsiktlig skada på grund av trasiga eller läckande batterier. !

- ▶ Förvara alltid produkten utan insatta batterier.
- ▶ Förvara produkt och batterier svalt och torrt. Följ de temperaturgränsvärden som anges i den tekniska informationen.
- ▶ Förvara inte batterierna i batteriladdaren. Ta alltid ur batteriet ur laddaren när laddningen är klar.
- ▶ Förvara aldrig batterier i solen, på värmekällor eller bakom glas.
- ▶ Förvara produkt och batteri utom räckhåll för barn och obehöriga personer.
- ▶ Kontrollera produkt och batterier före varje användning samt före och efter längre tids förvaring för att se till att de inte är skadade.

10 Felsökning

Observera batteriets laddningsstatus- och felindikering vid alla störningar. Se kapitel **Indikeringar för litiumjonbatteri**.

Kontakta **Hilti-service** om det uppstår ett fel som inte finns med i den här tabellen eller som du inte lyckas åtgärda på egen hand.

Fel	Möjlig orsak	Lösning
Produkten går inte att koppla in.	Batteriet är urladdat.	▶ Byt batteri och ladda det tomma batteriet.
Batteriet laddar ur fortare än vanligt.	Mycket låg omgivningstemperatur.	▶ Värm långsamt upp batteriet till rumstemperatur.
Batteriet hakar inte i med ett hörbart klick.	Batteriets låsmekanism är smutsig.	▶ Rengör låsmekanismen och sätt i batteriet igen.
Vinkelslipen eller batteriet blir väldigt varmt.	Elektriskt fel	▶ Stäng av produkten omedelbart, ta ut batteriet och syna det, låt det svalna och kontakta Hilti-service .
	Tilltäppta ventilationsspringor	▶ Rengör ventilationsspringorna regelbundet.
Motorns bromsfunktion fungerar inte.	Batteriet är urladdat.	▶ Byt batteri och ladda det tomma batteriet.
	Produkten är tillfälligt överbelastad.	▶ Stäng av produkten och slå sedan på den igen.




11 Avfallshandtering

VARNING

Risk for personskada på grund av felaktig avfallshandtering! Hälsorisk på grund av läckande gaser eller syror.

- ▶ Skicka aldrig iväg skadade batterier!
- ▶ Täck anslutningarna med ett icke ledande material för att förhindra kortslutningar.
- ▶ Kassera batterier så att de inte kan hamna i händerna på barn.
- ▶ Kassera batteriet hos din **Hilti Store** eller vänd dig till närmaste återvinningscentral.

 **Hilti**-produkter är till stor del tillverkade av återvinningsbara material. En förutsättning för återvinning är att materialen separeras på rätt sätt. I många länder tar **Hilti** tillbaka din gamla enhet för återvinning. Fråga **Hilti** kundservice eller din säljare.



- ▶ Kasta inte elverktyg, elektronisk apparatur och batterier i hushållssoporna.

12 Tillverkargaranti

- ▶ Vänd dig till din lokala **Hilti**-representant om du har frågor om garantivillkoren.

13 Ytterligare information


Ytterligare information om drift, teknik, miljö och återvinning hittar du via följande länk: qr.hilti.com/manual/?id=2252233&id=2252235&id=2251374

Länken finns också som en QR-kod i slutet av dokumentationen.

Original bruksanvisning

1 Informationsom bruksanvisningen

1.1 Om denne bruksanvisningen

- **Advarsel!** Før du tar i bruk produktet må du sørge for å ha lest og forstått den medfølgende bruksanvisningen, herunder instruksjonene, sikkerhets- og varselinformasjon, illustrasjoner og spesifikasjoner. Gjør deg særlig kjent med alle instruksjoner, sikkerhets- og varselinformasjon, illustrasjoner, spesifikasjoner samt deler og funksjoner. Ved manglende overholdelse er det fare for elektrisk støt, brann og/eller for alvorlige personskader. Oppbevar bruksanvisningen med alle instruksjoner, sikkerhets- og varselinformasjon for senere bruk.
- **HILTI**-produkter er laget for profesjonell bruk og må kun brukes, vedlikeholdes og repareres av kyndig personale. Dette personalet må informeres spesielt om eventuelle farer som kan oppstå. Produktet og tilleggsutstyret kan utgjøre en fare hvis det betjenes av ukvalifisert personale eller ikke brukes på tiltenkt måte.
- Den medfølgende bruksanvisningen er i tråd med det aktuelle tekniske nivået på trykketidspunktet. Du finner alltid den mest oppdaterte versjonen på nettet på Hiltis produktside. Følg lenken eller QR-koden i denne bruksanvisningen, merket med symbolet .
- Pass på at bruksanvisningen følger med produktet når det overlates til andre personer.

1.2 Symbolforklaring

1.2.1 Farehenvisninger

Farehenvisninger advarer mot farer under håndtering av produktet. Følgende signalord brukes:

FARE

FARE!

- ▶ For en umiddelbart truende fare som kan føre til alvorlige personskader eller død.



ADVARSEL

ADVARSEL !

- ▶ Varsler en mulig fare som kan føre til alvorlige personskader eller død.

FORSIKTIG

FORSIKTIG !

- ▶ Varsler om en mulig farlig situasjon som kan føre til personskade eller materiell skade.

1.2.2 Symboler i bruksanvisningen

Følgende symboler benyttes i denne bruksanvisningen:

	Følg bruksanvisningen
	Bruksanvisninger og andre nyttige opplysninger
	Håndtering av resirkulerbare materialer
	Ikke kast elektriske apparater eller batterier i husholdningsavfallet
	Hilti li-Ion-batteri
	Hilti Lader

1.2.3 Symboler i illustrasjoner

Følgende symboler brukes i illustrasjonene:

	Disse tallene viser til illustrasjonen i begynnelsen av denne bruksanvisningen.
3	Nummereringen angir rekkefølgen for arbeidstrinnene på bildet og kan avvike fra arbeidstrinnene i teksten.
	Posisjonsnumrene brukes i illustrasjonen Oversikt og henviser til numrene på teksten i avsnittet Produktoversikt .
	Dette symbolet betyr at håndtering av produktet krever stor grad av oppmerksomhet.

1.3 Produktavhengige symboler

1.3.1 Symboler på produktet

Følgende symboler kan forekomme på produktet:

	Bruk vernebriller
n_0	Nominelt tomgangsturtall
/min	Omdreining per minutt
RPM	Omdreining per minutt
\emptyset	Diameter
	Likestrøm
	Ikke bruk standarddekelet til kapping.
	Arbeid alltid med begge hender.
	Produktet støtter NFC-teknologi som er kompatibel med iOS- og Android-plattformer.



Li-ion	Li-ion-batteri
	Bruk aldri batteriet som slagverktøy.
	Ikke mist ned batteriet. Ikke bruk et batteri som har vært utsatt for slag eller er skadet på annen måte.

1.4 Produktinformasjon

-produkter er laget for profesjonell bruk og må kun brukes, vedlikeholdes og repareres av kyndig personale. Dette personalet må informeres om eventuelle farer som kan oppstå. Produktet og tilleggsutstyr kan utgjøre en fare hvis det betjenes av ukvalifisert personale eller det benyttes feil.

Typebetegnelse og serienummer står på typeskiltet.

- Skriv inn serienummeret i tabellen nedenfor. Du trenger produktspesifikasjonene ved henvendelser til Hiltis representant eller servicesenter.

Produktspesifikasjoner

Batteridrevet vinkelsliper	AG 4S-22-125
Generasjon	02
Serienummer	

1.5 Samsvarserklæring

Produsenten erklærer under sitt eneansvar at produktet som er beskrevet her, oppfyller kravene i gjeldende lovgivning og er i samsvar med gjeldende standarder. Du finner et bilde av samsvarserklæringen på slutten av denne dokumentasjonen.

Den tekniske dokumentasjonen er lagret her:

Hilti Entwicklungsgesellschaft mbH | Zulassung Geräte | Hiltistraße 6 | 86916 Kaufering, DE

2 Sikkerhet

2.1 Generelle sikkerhetsregler for elektroverktøy

⚠ ADVARSEL Les alle sikkerhetsanvisninger, instruksjer, illustrasjoner og tekniske data som elektroverktøyet er utstyrt med. Manglende overholdelse av anvisningene nedenfor kan medføre elektrisk støt, brann og/eller alvorlige personskader.

Overhold alle sikkerhetsanvisninger og instruksjoner i hele bruksperioden.

Begrepet "elektroverktøy" som er brukt i sikkerhetsanvisningene, viser til nettdrevne elektroverktøy (med nettkabel) eller til batteridrevne elektroverktøy (uten nettkabel).

Sikkerhet på arbeidsplassen

- **Hold arbeidsområdet rent og godt opplyst.** Rotete eller dårlig belyste arbeidsområder kan føre til ulykker.
- **Bruk ikke elektroverktøyet i eksplosjonsfarlige omgivelser hvor det befinner seg brennbare flytende stoffer, gasser eller støv.** Elektroverktøy lager gnister som kan antenne støv eller damp.
- **Hold barn og andre personer på sikker avstand mens elektroverktøyet brukes.** Hvis du blir forstyrret under arbeidet, kan du miste kontrollen over verktøyet.

Elektrisk sikkerhet

- **Elektroverktøyet støpsele må passe i stikkontakten. Støpselet må ikke forandres på noen som helst måte. Bruk ikke adapterkontakt på jordete elektroverktøy.** Uendrede støpsler og egnede stikkontakter minsker risikoen for elektrisk støt.
- **Unngå kroppskontakt med jordete overflater som rør, radiatorer, komfyrer eller kjøleskap.** Risikoen for elektrisk støt er høyere når kroppen er jordet.
- **Hold elektroverktøyet unna regn og fuktighet.** Risikoen for elektrisk støt øker ved inntrenging av vann i et elektroverktøy.
- **Bruk ikke ledningen til å bære elektroverktøyet, henge det opp eller til å dra støpselet ut av stikkontakten. Hold ledningen unna varme, olje, skarpe kanter og deler som beveger seg.** Skadde eller sammenviklede ledninger øker risikoen for elektriske støt.
- **Bruk kun skjøteledninger som også er godkjent for utendørs bruk når du arbeider med et elektroverktøy utendørs.** Bruk av skjøteledning som er egnet til utendørs bruk, minsker risikoen for elektrisk støt.



- ▶ **Må elektroverktøyet brukes i fuktige omgivelser, er det nødvendig å bruke en jordfeilbryter.** Bruk av en jordfeilbryter reduserer risikoen for elektrisk støt.

Personsikkerhet

- ▶ **Vær oppmerksom, pass på hva du gjør, og gå fornuftig fram under arbeidet med et elektroverktøy. Ikke bruk elektroverktøy når du er trøtt eller påvirket narkotika, alkohol eller medikamenter.** Et øyeblikks uoppmerksomhet ved bruk av elektroverktøyet kan være nok til å forårsake alvorlige personskader.
- ▶ **Bruk alltid personlig verneutstyr og vernebriller.** Bruk av personlig verneutstyr som støvmaske, sklisikre vernesko, hjelm eller hørselsvern – avhengig av type og bruk av elektroverktøyet – reduserer risikoen for skader.
- ▶ **Unngå utilsiktet start. Forsikre deg om at elektroverktøyet er slått av før du setter i stikkkontakten eller batteriet og før du løfter eller flytter elektroverktøyet.** Hvis du holder fingeren på bryteren når du bærer elektroverktøyet, eller kobler elektroverktøyet til strøm i innkoblet tilstand, kan dette føre til uhell.
- ▶ **Fjern justeringsverktøy og skrunøkkel før du slår på elektroverktøyet.** Et verktøy eller en nøkkel som befinner seg i en roterende maskindel, kan føre til skader.
- ▶ **Unngå uønsktsmessige arbeidsposisjoner. Sørg for å stå stødig og i balanse.** Dermed kan du kontrollere elektroverktøyet bedre i uventede situasjoner.
- ▶ **Bruk egnede klær. Ikke bruk vide klær eller smykker. Hold hår, tøy og hansker unna deler som beveger seg.** Løstsittende tøy, smykker eller langt hår kan komme inn i deler som beveger seg.
- ▶ **Hvis det er montert støvavsugs- og oppsamlingsinnretninger, må det kontrolleres at disse er koblet til og blir brukt på riktig måte.** Bruk av støvavsug kan redusere faremomentene i forbindelse med støv.
- ▶ **Ikke føl deg for trygg og ikke bryt sikkerhetsreglene for elektroverktøy, heller ikke når du etter lang tids bruk er blitt fortrolig med elektroverktøyet.** Et øyeblikks uaktsomhet kan føre til alvorlige personskader.

Bruk og behandling av elektroverktøyet

- ▶ **Ikke overbelast verktøyet. Bruk et elektroverktøy som er beregnet til den type arbeid du vil utføre.** Med et passende elektroverktøy arbeider du bedre og sikrere i det angitte effektområdet.
- ▶ **Ikke bruk elektroverktøy med defekt bryter.** Et elektroverktøy som ikke lenger kan slås av eller på, er farlig og må repareres.
- ▶ **Dra ut støpselet fra stikkkontakten og/eller ta ut et uttakbart batteri før du foretar maskinnstillinger, bytter tilleggsutstyr eller legger bort verktøyet.** Disse tiltakene forhindrer utilsiktet start av elektroverktøyet.
- ▶ **Oppbevar elektroverktøy som ikke brukes, utenfor barns rekkevidde. La ikke personer som ikke er fortrolige med verktøyet eller ikke har lest disse instruksjonene, bruke verktøyet.** Elektroverktøy er farlige når de brukes av uerfarne personer.
- ▶ **Sørg for grundig stell og vedlikehold av elektroverktøyet med tilbehør. Kontroller at bevegelige deler på elektroverktøyet fungerer feilfritt og ikke klemmes fast, og at ingen deler er brukt eller skadet, slik at dette innvirker på elektroverktøyet funksjon. La skadde deler repareres før elektroverktøyet brukes.** Mange ulykker er et resultat av dårlig vedlikeholdte elektroverktøy.
- ▶ **Hold skjæreverktøy skarpe og rene.** Godt vedlikeholdte skjæreverktøy med skarpe skjærekanten blir sjeldnere fastklemt og er lettere å styre.
- ▶ **Bruk elektroverktøy, tilbehør, arbeidsverktøy osv. i overensstemmelse med denne anvisningen. Ta hensyn til arbeidsforholdene og arbeidet som skal utføres.** Bruk av elektroverktøy til andre formål enn det som er angitt, kan føre til farlige situasjoner.
- ▶ **Hold håndtak og gripeflater tørre, rene og frie for olje og fett.** Glatte håndtak og gripeflater gir ikke sikker betjening og kontroll av elektroverktøyet i uforutsette situasjoner.

Bruk og behandling av det batteridrevne elektroverktøyet

- ▶ **Bruk kun ladere som er anbefalt av produsenten når du skal lade batteriene.** Det oppstår brannfare når det brukes andre batterier i en lader enn den laderen er egnet for.
- ▶ **Bruk bare batterier som er beregnet for de forskjellige elektroverktøyene.** Bruk av andre batterier kan medføre skader og brannfare.
- ▶ **Unngå å oppbevare ubrukte batterier i nærheten av binders, mynter, nøkler, nagler, skruer eller andre små metallgjenstander som kan forårsake kortslutning av kontakten.** En kortslutning mellom batterikontaktene kan føre til forbrenninger eller brann.
- ▶ **Ved feil bruk kan væske lekke fra batteriet. Unngå kontakt med denne væsken. Ved tilfeldig kontakt må det skylles med vann. Hvis det kommer væske i øynene, må du i tillegg oppsøke lege.** Batterivæske som renner ut, kan føre til irritasjoner på huden eller forbrenninger.
- ▶ **Ikke bruk batterier som er skadde eller modifiserte.** Skadde eller modifiserte batterier kan oppføre seg uforutsigbart og forårsake brann, eksplosjon eller personskade.



- ▶ **Ikke utsett batteriet for åpen ild eller høye temperaturer.** Ild eller temperaturer over 130 °C (265 °F) kan forårsake eksplosjon.
- ▶ **Følg alle anvisningene for lading, og lad aldri batteriet eller det batteridrevne verktøyet utenfor temperaturområdet som er angitt i bruksanvisningen.** Feil lading eller lading utenfor det tillatte temperaturområdet kan ødelegge batteriet og øke brannfaren.

Service

- ▶ **Elektroverktøyet må kun repareres av kvalifisert fagpersonale og kun med originale reservedeler.** Slik opprettholdes maskinens sikkerhet.
- ▶ **Vedlikehold ikke skadde batterier.** Alt vedlikehold på batterier skal utføres av produsenten eller et godkjent serviceverksted.

2.2 Sikkerhetsanvisninger for alt arbeid

Felles sikkerhetsanvisninger for sliping, sandpapirsliping, arbeid med stålborster, polering og kapping:

- ▶ **Dette elektroverktøyet skal bare brukes til sliping, sliping med sandpapir, stålborsting, polering, hullskjæring og kapping. Overhold alle sikkerhetsanvisninger, andre anvisninger, skjematisk framstillinger og data som følger med maskinen.** Dersom du ikke overholder anvisningene nedenfor, er det fare for elektrisk støt, brann og/eller alvorlige personskader.
- ▶ **Ikke bygg om dette elektroverktøyet slik at det fungerer på en måte som det ikke er spesielt konstruert og spesifisert for av verktøyprodusenten.** En slik ombygging kan føre til tap av kontrollen og alvorlige personskader.
- ▶ **Bruk ikke tilbehør som ikke er spesielt utviklet og godkjent for dette elektroverktøyet fra produsenten.** Selv om tilbehøret lar seg feste til elektroverktøyet, garanterer ikke dette at det er trygt å bruke det.
- ▶ **Maks. tillatt omdreiningstall for innsatsverktøyet må være minst like høyt som maks. tillatt omdreiningstall for selve elektroverktøyet.** Tilbehør som roterer raskere enn tillatt, kan gå i stykker og bli slynget ut.
- ▶ **Utvendig diameter og tykkelse på innsatsverktøyet må stemme overens med elektroverktøyet dimensjoner.** Feildimensjonerte innsatsverktøy kan ikke skjermes eller kontrolleres på tilfredsstillende måte.
- ▶ **Verktøy med gjengeinnsats må passe nøyaktig til gjengene på slipespindelen. På verktøy som monteres ved hjelp av flens, må verktøyet huldiameter passe til festediametere på flensen.** Verktøy som ikke festes nøyaktig på elektroverktøyet, roterer ujevnt, vibrerer kraftig og kan føre til at du mister kontrollen.
- ▶ **Bruk ikke skadde innsatsverktøy. Kontroller alltid innsatsverktøy før du bruker dem. På slipeskiver ser du etter avspilting og sprekker, på slipetallere etter sprekker, nedslitthet og slitasje og på stålborster etter løse eller brukne tråder. Hvis elektroverktøyet eller innsatsverktøyet faller ned, kontrollerer du om det er skadet eller bruker et uskadd innsatsverktøy. Når du har kontrollert og satt på plass verktøyet, lar du elektroverktøyet gå et minutt på maksimalt omdreiningstall. Sørg for at du og eventuelle andre personer i nærheten oppholder dere på trygg avstand fra det roterende verktøyet.** De fleste skadde innsatsverktøy vil brenne i løpet av denne testtiden.
- ▶ **Bruk personlig verneutstyr. Bruk ansiktsmaske, øyevern eller vernebriller avhengig av bruken. Når det er nødvendig, bruker du støvmaske, hørselsvern, arbeidshansker eller spesialfôrle som beskytter mot små slipe- og materialpartikler. Øynene må beskyttes mot fremmedlegemer som kan slynge ut ved forskjellig bruk. Støvmaske eller åndedrettsvern er nødvendig for å filtrere støvet som produseres når verktøyet brukes. Hvis du i lang tid blir utsatt for høy støy, kan du bli rammet av hørselstap.**
- ▶ **Sørg for å holde andre personer på trygg avstand fra arbeidsområdet ditt. Alle som befinner seg i arbeidsområdet, må bruke personlig verneutstyr.** Bruddstykker av arbeidsstykket eller brukne innsatsverktøy kan slenges av gårde og forårsake skader også utenfor selve arbeidsområdet.
- ▶ **Hold bare elektroverktøyet i de isolerte gripeflatene når du utfører arbeid der verktøyet kan komme i kontakt med elektriske ledninger.** Kontakt med en spenningsførende ledning kan også sette maskinens metalldeler under spenning og føre til elektrisk støt.
- ▶ **Legg aldri fra deg elektroverktøyet før innsatsverktøyet har stanset helt.** Det roterende innsatsverktøyet kan komme i berøring med underlaget slik at du kan miste kontrollen over elektroverktøyet.
- ▶ **La ikke elektroverktøyet gå mens du bærer det.** Klærne dine kan ved tilfeldig kontakt sette seg fast i det roterende innsatsverktøyet, og innsatsverktøyet kan bore seg inn i kroppen din.
- ▶ **Rengjør ventilasjonsåpningene på elektroverktøyet regelmessig.** Motorviften trekker støv inn i motorhuset, og stor opphopning av metallstøv kan forårsake elektrisk fare.



- ▶ **Bruk aldri elektroverktøyet i nærheten av brennbare materialer.** Materialene kan antennes av gnister.
- ▶ **Bruk ikke innsatsverktøy som krever kjølevæske.** Bruk av vann eller andre kjølevæsker kan føre til elektrisk støt.

Rekyl og tilhørende sikkerhetsanvisninger

Rekyl er en plutselig reaksjon som følge av at et verktøy som slipeskive, slipetallerken, stålborste osv. kjører seg fast eller blokkeres slik at det oppstår en plutselig stopp i rotasjonen til verktøyet. Dermed blir et ukontrollert elektroverktøy akselerert mot rotasjonsretningen til verktøyet på blokkeringsstedet.

Hvis for eksempel en slipeskive kjører seg fast eller blokkeres, kan kanten av slipeskiven som er senket ned i arbeidsstykket, bli sittende fast slik at slipeskiven brytes løs eller forårsaker en rekyl. Slipeskiven beveger seg da mot eller fra brukeren, alt etter skivens rotasjonsretning på blokkeringsstedet. I den forbindelse kan slipeskivene også brekke.

En rekyl er en følge av en feil eller feilaktig bruk av elektroverktøyet. Den kan hindres gjennom egnede forholdsregler som beskrevet nedenfor.

- ▶ **Hold elektroverktøyet godt fast med begge hender, og plasser kroppen og armene slik at du kan fange opp rekylkraften.** Bruk alltid ekstrahåndtaket der dette finnes, for å få størst mulig kontroll over rekylkreftene eller aksjonsmomentet ved akselerasjon. Brukeren kan takle rekyl- og reaksjonskreftene gjennom egnede sikkerhetstiltak.
- ▶ **Sørg for at hendene og andre kroppsdeler alltid holdes langt unna det roterende verktøyet.** Verktøyet kan bevege seg over hånden ved rekyl.
- ▶ **Unngå å plassere kroppen i det området der elektroverktøyet vil bevege seg ved rekyl.** Rekylen driver elektroverktøyet i motsatt retning av slipeskivens bevegelsesretning på blokkeringsstedet.
- ▶ **Arbeid alltid forsiktig ved hjørner, skarpe kanter osv. Unngå at innsatsverktøyet kan slå tilbake fra eller sette seg fast i arbeidsstykket.** Det roterende innsatsverktøyet har en tendens til å sette seg fast ved hjørner, skarpe kanter eller når det slår tilbake. Dette fører til manglende kontroll eller rekyl.
- ▶ **Du må ikke bruke sagkjede eller fortannet sagblad, og heller ikke segmentert diamantskive med mer enn 10 mm brede slisser.** Slike innsatsverktøy forårsaker ofte rekyl eller tap av kontroll over elektroverktøyet.

Spesielle sikkerhetsanvisninger vedrørende sliping og kapping:

- ▶ **Bruk bare slipeelementer som er godkjent for dette elektroverktøyet, samt beskyttelsesdeksel som er beregnet for slipeelementene.** Slipeelementer som ikke er beregnet for elektroverktøyet, kan ikke skjermes tilfredsstillende og er usikre.
- ▶ **Krumme slipeskiver må monteres slik at slipeflaten ikke stikker ut over kanten av beskyttelsesdekslet.** En ufagmessig montert slipeskive som stikker ut over kanten på beskyttelsesdekslet, kan ikke skjermes tilstrekkelig.
- ▶ **Beskyttelsesdekslet må være sikkert festet på maskinen og må være innstilt for størst mulig sikkerhet, det vil si slik at en så liten del som mulig av slipeelementet ligger åpent mot brukeren.** Beskyttelsesdekslet bidrar til å beskytte brukeren mot bruddstykker, tilfeldig kontakt med slipeelementet samt mot gnister som kan antenne klærne.
- ▶ **Slipeelementer skal bare brukes til godkjente bruksområder.** For eksempel: Slip aldri med sideflaten på en kappeskive. Kappeskiver er beregnet for materialfjerning med kanten av skiven. Sideveis kraftpåvirkning av disse slipeelementene kan ødelegge dem.
- ▶ **Bruk alltid bare uskadede låseflenser i riktig dimensjon og form for slipeskiven du har valgt.** Egnede flenser støtter slipeskiven og reduserer på den måten faren for brudd. Flenser til kappeskiver kan være annerledes enn flensene til andre slipeskiver.
- ▶ **Bruk ikke utslitte slipeskiver fra større elektroverktøy.** Slipeskiver for større elektroverktøy er ikke dimensjonert for de høyere omdreiningstallene til mindre elektroverktøy og kan brekke.
- ▶ **Bruk alltid det anbefalte beskyttelsesdekslet for den aktuelle funksjonen ved bruk av slipeelementer med dobbeltfunksjon.** Bruk av feil beskyttelsesdeksel kan bare gi utilstrekkelig beskyttelse, og dette kan føre til alvorlige personskader.

Ytterligere spesielle sikkerhetsanvisninger for kapping:

- ▶ **Unngå blokkering av kappeskiven eller for høyt mottrykk.** Utfør ingen overdrevent dype snitt. Overbelastning av kappeskiven øker belastningen og skivens tendens til fastkiling eller blokkering og dermed faren for rekyl eller brudd på slipeelementet.
- ▶ **Unngå området foran og bak den roterende kappeskiven.** Hvis du beveger kappeskiven fra deg i arbeidsstykket, kan det ved en rekyl skje at elektroverktøyet og den roterende skiven slynges direkte tilbake mot deg.
- ▶ **Dersom kappeskiven setter seg fast eller du avbryter arbeidet, slår du maskinen av og holder den rolig til skiven har stanset helt.** Forsøk aldri å fjerne kappeskiven fra snittet mens den fortsatt roterer, da dette kan forårsake rekyl. Finn og fjern årsaken til fastklemningen.



- ▶ **Start ikke elektroverktøyet så lenge det befinner seg i arbeidsstykket. La kappeskiven først nå opp i maks. omdreiningstall før du forsiktig fortsetter snittet.** Ellers kan skivene hekte seg fast, hoppe ut av arbeidsstykket eller forårsake rekyl.
- ▶ **Støtt opp plater og store arbeidsstykker, da reduseres risikoen for rekyl på grunn av en fastklemt kappeskive.** Store arbeidsstykker kan brette under sin egen vekt. Arbeidsstykket må støttes opp på begge sider og i nærheten av kappesnittet og kanten.
- ▶ **Vær ekstra forsiktig ved dykksnitt i eksisterende vegger eller andre områder du ikke har oversikt over.** Den innstikkende kappeskiven kan forårsake rekyl ved skjæring i gass- eller vannledninger, strømledninger eller andre objekter.
- ▶ **Ikke prøv å skjære i buerformer.** Overbelastning av kappeskiven øker belastningen og skivens tendens til fastkiling eller blokkering og dermed faren for rekyl eller brudd på slipeelementet, og dette kan føre til alvorlige personskader..

Spesielle sikkerhetsanvisninger for sandpapirsliiping:

- ▶ **Bruk bare slipepapir i passende størrelse. Følg produsentens angivelser for slipepapirstørrelse.** Slipepapir som stikker for langt ut over slipetallerkenen, kan forårsake personskader og føre til blokkering, oppriving av slipepapir og rekyl.

Spesielle sikkerhetsanvisninger for polering:

- ▶ **Unngå løse deler på polerhetten, særlig festesnorer. Fest eller forkort festesnoren.** Løse festesnorer som roterer sammen med verktøyet, kan hektes fast i fingrene dine eller vikles inn i arbeidsstykket.

Spesielle sikkerhetsanvisninger vedrørende arbeid med stålborster:

- ▶ **Vær oppmerksom på at stålborsten mister tråder også ved vanlig bruk. Overbelast ikke trådene med for høyt mottrykk.** Løse tråder kan veldig lett trenge gjennom tynne klær og/eller inn i huden.
- ▶ **Foreskrives bruk av beskyttelsesdeksel, må du sørge for at beskyttelsesdekselet og stålborsten ikke kan berøre hverandre.** Tallerken- og koppborster kan få økt diameter gjennom mottrykk og sentrifugalkraft.

2.3 Ekstra sikkerhetsanvisninger

Personikkerhet

- ▶ Bruk produktet og tilbehøret bare i teknisk feilfri stand.
- ▶ Ikke foreta manipulering eller endring av produktet eller tilbehør.
- ▶ Hold alltid maskinen fast med begge hender i håndtakene som er beregnet til formålet. Hold håndtakene tørre, rene og fri for olje og fett.
- ▶ Hvis produktet brukes uten støvavsug, må man bruke en lett støvmaske når arbeidet forårsaker støv.
- ▶ Ta hyppige pauser og gjør øvelser for å øke blodgjennomstrømmingen i fingrene. Ved langvarig arbeid kan kraftige vibrasjoner føre til forstyrrelser i blodkar eller nervesystemet i fingre, hender eller håndledd.
- ▶ Unngå å berøre de roterende delene. Ikke slå på produktet før i arbeidsområdet. Berøring av de roterende delene, spesielt roterende verktøy, kan føre til skader.
- ▶ Vent til produktet har stanset helt før du legger det fra deg.
- ▶ Produktet er ikke beregnet for svake personer uten opplæring. Sørg for at produktet ikke er tilgjengelig for barn.
- ▶ Støv som oppstår ved sliiping, smergling, kapping og boring kan inneholde farlige kjemikalier. Noen eksempler er: bly eller blybasert maling; tegl, betong og andre murverksprodukter, naturstein og andre silikatholdige produkter; bestemt tresorter, slik som eik, bøk og kjemisk behandlet trevirke; asbest eller asbestholdige materialer. Kartlegg hvor eksponert brukeren og personer i nærheten er ved hjelp av fareklassen til materialene som det arbeides med. Treff nødvendige tiltak for å holde eksponeringen på et trygt nivå, f.eks. ved å bruke et støvoppsamlingsystem eller egnet åndedrettsvern. Til de generelle tiltakene for å redusere eksponeringen hører:
 - ▶ arbeid i et godt ventilert område,
 - ▶ unngå langvarig kontakt med støv,
 - ▶ led bort støv fra ansikt og kropp,
 - ▶ bruk verneutstyr og vask eksponerte områder med vann og såpe.
- ▶ Brukeren og andre personer som befinner seg i nærheten, må bruke vernebriller, hjelm og hørselsvern under arbeid med produktet.
- ▶ Bruk vernehansker ved skifte av verktøy. Berøring av innsatsverktøyet kan føre til kuttskader og forbrenninger.
- ▶ Fare for personskade på grunn av verktøy og/eller tilbehør som faller ned. Kontroller før arbeidets begynnelse at batteriet og det monterte tilbehøret er godt festet.



- ▶ Hold alltid ventilasjonsåpningene rene. Fare for forbrenning hvis ventilasjonsåpningene er blokkert!
- ▶ Vent med å slå på produktet til du har plassert det i arbeidsposisjon.
- ▶ Vent til produktet har stanset helt før du legger det fra deg.
- ▶ Hvis produktet registrerer en overskridelse av driftsgrensene eller et tomt batteri, kan det hende at verktøyet ikke bremses av motoren.
- ▶ Ikke fest noen beltekrok til dette produktet.

Forsiktig behandling og bruk av elektroverktøy

- ▶ Slipeskiver må oppbevares og behandles i henhold til produsentens anvisninger.
- ▶ Bruk aldri produktet uten beskyttelsesdeksel.
- ▶ Sikre emnet. Bruk tvinger eller skrustikke til å holde fast emnet. Emnet sitter dermed bedre fast enn om du holder det med hånden, og du har dessuten begge hendene fri til å betjene produktet.
- ▶ Ikke bruk kappeskiver til sliping.
- ▶ Trekk til innsatsverktøyet og flensen godt. Hvis innsatsverktøyet og flensen ikke trekkes godt nok til, er det etter utkobling fare for at verktøyet løsner fra spindelen under oppbremsing med maskinens motor.

Elektrisk sikkerhet

- ▶ Kontroller før arbeidet påbegynnes at det ikke finnes skjulte strømledninger, gass- eller vannrør i arbeidsområdet. Utvendige metalldeleer på produktet kan forårsake elektrisk støt eller en eksplosjon dersom du skader en strømledning, et gass- eller vannrør.
- ▶ Få tilsmussede produkter som ofte brukes til bearbeiding av ledende materialer, kontrollert regelmessig av Hilti service. Støv, især av ledende materialer, eller fuktighet på maskinens overflate gjør at det er vanskelig å holde den, og under ugunstige forhold kan det føre til elektrisk støt.

Arbeidsplassen

- ▶ Ved gjennombruddsarbeider må området på den andre siden sikres. Deler som brytes ut, kan falle ut og/eller ned og skade andre personer.
- ▶ Slisser i bærevægger og andre strukturer kan påvirke statikken, især kapping av armeringsjern og bærende elementer. Spør ansvarlig statiker, arkitekt eller ansvarlig byggeledelse før arbeidet påbegynnes.

Ytterligere informasjon om bruk av beskyttelsesdeksler

For å unngå de etterfølgende risikoene må du alltid benytte riktig beskyttelsesdeksel, se kapittel: "Tilordning av skivene til utstyret som skal brukes".

- ▶ Ved bruk av standard beskyttelsesdeksel med frontvern til plansliping kan beskyttelsesdekselet berøre emnet og dermed føre til tap av kontroll.
- ▶ Ved bruk av stålborste med en tykkelse som overskrider den største tillatte tykkelsen, kan det tråder hekte seg fast på beskyttelsesdekselet og brekke.
- ▶ Ved bruk av standard beskyttelsesdeksel til kapping av metall med slipende kappeskiver, er det økt risiko for å bli utsatt for gnister og partikler og ved skivebrudd splintret skivemateriale.
- ▶ Ved bruk av standard beskyttelsesdeksel med eller uten frontvern til kapping og sliping av betong eller mur, er det økt støvbelastning og økt risiko for å miste kontrollen over produktet, noe som kan føre til rekyll.

2.4 Aktsom håndtering og bruk av batterier

- ▶ **Ta hensyn til følgende sikkerhetsanvisninger for sikker håndtering og bruk av li-ion-batterier.** Manglende overholdelse kan føre til hudirritasjoner, alvorlige korrosive skader, kjemiske forbrenninger, brann og/eller eksplosjoner.
- ▶ Bruk kun batterier i teknisk feilfri stand.
- ▶ Behandle batterier med omhu for å unngå skader og forhindre at svært helseskadelige væsker lekker ut!
- ▶ Batterier må under ingen omstendigheter modifiseres eller manipuleres!
- ▶ Batteriene må ikke tas fra hverandre, klemmes, varmes opp over 80 °C (176 °F) eller brennes.
- ▶ Ikke bruk eller lad opp batterier som har vært utsatt for et støt eller er skadd på annen måte. Kontroller batteriene regelmessig for å se etter tegn på skader.
- ▶ Bruk aldri resirkulerte eller reparerte batterier.
- ▶ Ikke bruk batteriet eller et batteridrevet elektroverktøy som slagverktøy.
- ▶ Utsett aldri batterier for direkte sollys, høy temperatur, gnistdannelse eller åpen flamme. Dette kan føre til eksplosjoner.
- ▶ Ikke berør batteripolene med fingrene, verktøy, smykker eller andre elektrisk ledende gjenstander. Dette kan skade batteriet samt forårsake materielle skader og personskader.
- ▶ Hold batteriene unna regn, fuktighet og væsker. Hvis fuktighet trenger inn, kan dette føre til kortslutning, elektrisk støt, forbrenninger, brann og eksplosjoner.



- ▶ Bruk kun ladere og elektroverktøy som er beregnet på denne batteritypen. Følg i den forbindelse opplysningene i de tilhørende bruksanvisningene.
- ▶ Ikke bruk eller oppbevar batteriet i eksplosjonsfarlige omgivelser.
- ▶ Hvis batteriet er for varmt til at du kan ta på det, kan det være defekt. Plasser batteriet på et synlig, ikke brennbar sted med tilstrekkelig avstand til brennbare materialer. La batteriet kjøle. Hvis batteriet fremdeles er for varmt til at du kan ta på det etter en time, er det defekt. Kontakt **Hilti** service eller les dokumentet "Informasjon om sikkerhet og bruk av **Hilti** li-ion-batterier".

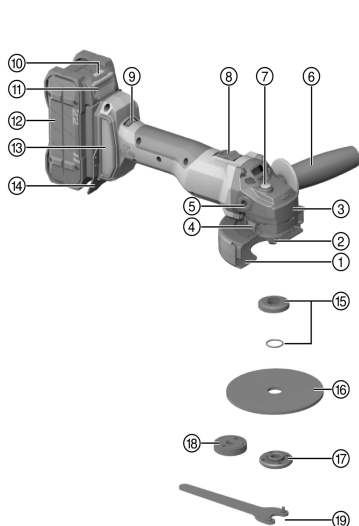


Ta hensyn til spesielle retningslinjer som gjelder for transport, lagring og bruk av litium-ion-batterier. → Side 76

Les informasjonen om sikkerhet og bruk av **Hilti** li-ion-batterier, som du finner ved å skanne QR-koden bakerst i denne bruksanvisningen.

3 Beskrivelse

3.1 Produktoversikt



- ① Standardbeskyttelsesdeksel
- ② Spindel
- ③ Rotasjonsretningspil
- ④ Hurtiglås for beskyttelsesdeksel
- ⑤ Skruhylse for håndtak
- ⑥ Sidehåndtak
- ⑦ Spindellåseknapp
- ⑧ Av/på-bryter
- ⑨ Hastighetsregulering
- ⑩ Statusindikator batteri
- ⑪ Låseknapp for batteri
- ⑫ Batteri
- ⑬ Støvfilter
- ⑭ Gnistfangerplate
- ⑮ Spennflens med O-ring
- ⑯ Kappeskive/slipeskive
- ⑰ Spennmutter
- ⑱ Hurtigspennmutter **Kwik lock** (ekstrautstyr)
- ⑲ Spennøkkel

3.2 Forskriftsmessig bruk

Det beskrevne produktet er en håndholdt, batteridrevet vinkelsliper. Den er beregnet til kapping og sliping av metalliske og mineralske materialer, til børsting og sandpapirsliping uten bruk av vann. Den skal bare brukes til tørrsliping og tørrkapping.

- Til dette produktet må det bare benyttes **Hilti** Nuron Li-Ion-batterier i serien B 22. For optimal ytelse anbefaler **Hilti** å bruke batteriene som er angitt i tabellen på slutten av denne bruksanvisningen til produktet.
- Til disse batteriene må det bare brukes **Hilti**-ladere i seriene som er står oppført i tabellen bakerst i denne bruksanvisningen.

3.3 Dette følger med:

vinkelsliper, sidehåndtak, standardbeskyttelsesdeksel, frontvern, spennflens, spennmutter, spennøkkel, støvfilter, bruksanvisning.

I tillegg finner du tillatte systemprodukter til produktet hos nærmeste **Hilti Store** eller under: www.hilti.group



3.4 ATC

Produktet er utstyrt med den elektroniske hurtigtutkoblingen ATC (Active Torque Control).

Hvis innsatsverktøyet blokkeres eller klemmes fast, begynner produktet plutselig å rotere ukontrollert i den motsatte retningen. ATC registrerer denne plutselige rotasjonsbevegelsen til produktet og slår produktet av umiddelbart.



For riktig funksjon må produktet kunne rotere.

Slå produktet av og på igjen etter hurtigtutkoblingen.

3.5 Motorvernfunksjon

Motorvernfunksjonen overvåker strømforbruket og oppvarmingen av motoren og beskytter produktet mot overoppheting.

Skulle motoren bli overbelastet på grunn av for høyt presstrykk, synker produktets ytelse merkbart og produktet kan stanse.



Hvis det oppstår stillstand eller turtallsreduksjon på grunn av overbelastning, må du redusere trykket på produktet og la det gå ca. 30 sekunder på tomgang.

3.6 Integriert brems

Ved hjelp av den integrerte bremsen reduseres etterløpstiden for innsatsverktøyet til stillstand.



Denne funksjonen fungerer bare når produktet får tilført strøm.

Bremsetiden varierer avhengig av valgt innsatsverktøy.

3.7 Frontvern ²

Bruk standardbeskyttelsesdekelet med frontvern til bruksområdene nedenfor:

- Sliping med rette slipeskiver
- Kapping med kappeskiver

3.8 Støvdeksel (kapping) DC-EX 125/5" C kompaktdeksel (tilbehør) ³

Til kapping av mineralske materialer med diamantkappeskiver må man bruke kompaktdekelet DC-EX 125/5" C.

Det er forbudt å bearbeide metall med dette dekelet.

3.9 Støvdeksel (kapping) DC-EX 125/5" M (tilbehør) ⁴

Kappe- og slissearbeider på mineralisk materiale med diamantkappeskiver skal kun utføres med støvdeksel.

FORSIKTIG Det er forbudt å bearbeide metall med dette dekelet.

3.10 Støvdeksel (sliping) DG-EX 125/5" (tilbehør) ⁵

Slipesystemet er kun beregnet til sporadisk sliping av mineralmateriale med diamantkappeskiver.

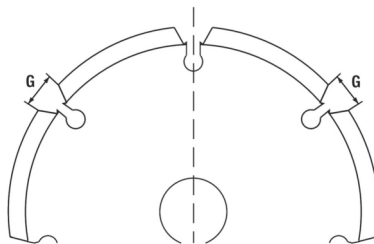
Det er forbudt å bearbeide metall med dette dekelet.



3.11 Geometri for egnede diamantslisseskiver

Diamantslisseskiven må oppfylle følgende geometriske krav.

Tekniske data	
Slissebredde mellom segmenter (G)	≤ 10 mm
Kuttevinkel	negativ



3.12 Indikatorer for li-ion-batteriet

Hilti Nuron Li-ion-batterier kan indikere ladetilstand, feilmeldinger og batteriets tilstand.

3.12.1 Indikatorer for ladetilstand og feilmeldinger

ADVARSEL

Fare for personskader på grunn av batteri som faller ned!

- Når du har satt i batteriet og trykt på låseknappen, må du kontrollere at batteriet igjen klikker på plass i produktet som brukes.

For å få frem en av følgende indikatorer trykker du kort på batteriets utløserknapp.

Ladetilstanden samt eventuelle feil indikeres også hele tiden så lenge det tilkoblede produktet er slått på.

Tilstand	Betydning
Fire (4) lysdioder (LED) lyser konstant grønt	Ladetilstand: 100 % til 71 %
Tre (3) lysdioder (LED) lyser konstant grønt	Ladetilstand: 70 % til 51 %
To (2) lysdioder (LED) lyser konstant grønt	Ladetilstand: 50 % til 26 %
Én (1) lysdiode (LED) lyser konstant grønt	Ladetilstand: 25 % til 10 %
Én (1) lysdiode (LED) blinker langsomt grønt	Ladetilstand: < 10 %
Én (1) lysdiode (LED) blinker raskt grønt	Li-ion-batteriet er helt utladet. Lad batteriet. Hvis lysdioden fortsatt blinker raskt etter at batteriet er ladet, kontakter du Hilti service .
Én (1) lysdiode (LED) blinker raskt gult	Li-ion-batteriet eller det tilkoblede produktet er overbelastet, for varmt eller for kaldt eller det foreligger en annen feil. Bring produktet og batteriet til anbefalt arbeidstemperatur, og ikke overbelast produktet når du bruker det. Hvis meldingen vedvarer, kontakter du Hilti service .
Én (1) lysdiode (LED) lyser gult	Li-ion-batteriet og det tilkoblede produktet er ikke kompatible. Kontakt Hilti service .
Én (1) lysdiode (LED) blinker raskt rødt	Li-ion-batteriet er sperret og kan ikke brukes lenger. Kontakt Hilti service .

3.12.2 Indikering av batteriets tilstand

For å sjekke tilstanden til batteriet holder du utløserknappen inne i over tre sekunder. Systemet registrerer ikke mulige funksjonsfeil på batteriet som følge av skjødesløs bruk, som f.eks. at det er mistet ned, er påført hull eller skader forårsaket av eksterne varmekilder osv.

Tilstand	Betydning
Alle LED-ene lyser som løpelys og deretter lyser én (1) LED konstant grønt.	Batteriet kan brukes videre.



Tilstand	Betydning
Alle LED-ene lyser som løpelys og deretter blinker én (1) LED raskt gult.	Kartlegging av batteriets tilstand kunne ikke fullføres. Gjenta prosedyren eller kontakt Hilti service.
Alle LED-ene lyser som løpelys og deretter lyser én (1) LED konstant rødt.	Hvis et tilkoblet produkt fortsatt kan brukes, er den gjenværende batterikapasiteten under 50 %. Hvis et tilkoblet produkt ikke lenger kan brukes, er batteriets levetid over og batteriet må skiftes ut. Kontakt Hilti service.

4 Forbruksmaterieil

Det må bare brukes kunstharpiksbundete, fiberarmerte skiver til maks. Ø 125 mm, som er tillatt for et turtall på minst 11000/min og en periferihastighet på 80 m/s.

OBS! Ved kapping og slissing med kappeskiver må det alltid brukes standardbeskyttelsesdeksel med ekstra frontvern eller et helt lukket støvdeksel.

Skiver

Type	Bruk	Forkortet kode	Underlag	maks. tykkelse	maks. diameter
Abrasiv kappeskive	Kapping, slissing	AC-D	Metallisk	2,5 mm	125 mm
Diamantkappeskive	Kapping, slissing	DC-TP, DC-D (SPX, SP, P)	Mineralsk	3 mm	125 mm
Abrasiv slipeskive	Sliping	AG-D, AF-D, AN-D	Metallisk	6,4 mm	125 mm
Diamantslipeskive	Sliping	DG-CW (SPX, SP, P)	Mineralsk	—	125 mm
Stålbørste	Stålbørster	3CS, 4CS, 3SS, 4SS	Metallisk	— 27 mm	75 mm 125 mm
Diamantborkrone	Fliseboring	DD-M14	Mineralsk	—	125 mm
Fiberskive	Sliping	AP-D	Metallisk	—	125 mm

Tilordning av skivene til utstyret som skal brukes

Pos.	Utstyr	AC-D	AP-D	AG-D, AF-D, AN-D	DG-CW (SPX, SP, P)	DC-TP, DC-D (SPX, SP, P)	3CS, 4CS, 3SS, 4SS, DD-M14
A	Beskyttelsesdeksel (standard)	✓	✓	✓	✓	✓	✓
B	Frontvern (sammen med A)	✓	—	—	—	✓	—
C	Støvdeksel (sliping) DG-EX 125/5"	—	—	—	✓	—	—
D	Støvdeksel (kapping) DC-EX 125/5"C (sammen med A)	—	—	—	—	✓	—
E	Støvdeksel (slissing) DC-EX 125/5"M	—	—	—	—	✓	—
F	Adapter DC-EX SL (sammen med E)	—	—	—	—	✓	—
G	Sidehåndtak (standard)	✓	✓	✓	✓	✓	✓
H	Spennmutter (standard)	✓	—	✓	✓	✓	—
I	Spennflens (standard)	✓	—	✓	✓	✓	—



Pos.	Utstyr	AC-D	AP-D	AG-D, AF-D, AN-D	DG-CW (SPX, SP, P)	DC-TP, DC-D (SPX, SP, P)	3CS, 4CS, 3SS, 4SS, DD-M14
J	Kwik lock (ekstra- utstyr til H)	✓	—	✓	—	✓	—
K	Spennmutter (fiber- skive)	—	✓	—	—	—	—
L	Støttetallerken (fiberskive)	—	✓	—	—	—	—

5 Tekniske data

AG 4S-22-125	
Merkespenning	21,6 V
Nominelt turtall	8 500 o/min
Maksimal skivediameter	125 mm
Vekt iht. EPTA-prosedyre 01 uten batteri	2,1 kg
Gjenget drivspindel	M14
Spindellengde	22 mm
Omgivelsestemperatur under drift	-17 °C ... 60 °C (1 °F ... 140 °F)
Lagringstemperatur	-20 °C ... 70 °C (-4 °F ... 158 °F)

5.1 Batteri

Batteriets driftsspenning	21,6 V
Vekt batteri	Se bakerst i bruksanvisningen
Omgivelsestemperatur under drift	-17 °C ... 60 °C (1 °F ... 140 °F)
Lagringstemperatur	-20 °C ... 40 °C (-4 °F ... 104 °F)
Batteritemperatur ved ladestart	-10 °C ... 45 °C (14 °F ... 113 °F)

5.2 Støyinformasjon og vibrasjonsverdier iht. 62841-2-3:2021

Lydtrykk- og vibrasjonsverdiene som er angitt i denne bruksanvisningen, er målt i samsvar med en normert målemetode og kan brukes til sammenligning av elektroverktøy. De egner seg også til en foreløpig vurdering av eksponeringene.

De angitte dataene representerer de viktigste bruksområdene for elektroverktøyet. Men hvis elektroverktøyet brukes til andre formål, med avvikende innsatsverktøy eller med utilstrekkelig vedlikehold, kan dataene avvike. Dette kan øke eksponeringene betraktelig gjennom hele arbeidsperioden.

For å få en nøyaktig vurdering av eksponeringene må man også ta hensyn til tidsrommene da elektroverktøyet er slått av eller er i gang, men ikke i bruk. Dette kan redusere eksponeringene betraktelig gjennom hele arbeidsperioden.

Fastsett ekstra sikkerhetstiltak for å beskytte operatøren mot effekten av støy og/eller vibrasjoner, for eksempel: Vedlikehold av elektroverktøy og innsatsverktøy, holde hendene varme, organisering av arbeidsprosesser.

Sliping av tynne plater eller andre lett vibrerende strukturer med stor overflate kan føre til økt støytutslipp som ligger over de angitte støytutslippsverdiene. Du kan redusere støytutslippene som oppstår ved å gjennomføre lydreduserende tiltak, f.eks. ved å plassere tunge, fleksible isolasjonsmatter. Ta alltid også disse økte verdiene med i betraktning når du skal vurdere faren forbundet med støyeksponering og velge egnet hørselsvern.



Støyinformasjon

	AG 4S-22-125
Avgitt lydtrykknivå (L_{pA})	89 dB(A)
Usikkerhet lydtrykknivå (K_{pA})	3 dB(A)
Lydeffektnivå (L_{WA})	97 dB(A)
Usikkerhet lydeffektnivå (K_{WA})	3 dB(A)

Vibrasjonsinformasjon

Andre bruksområder, som kapping, kan føre til avvikende vibrasjonsverdier.

		AG 4S-22-125
Overflatesliping ($a_{h,AG}$)	B 22-55	5,1 m/s ²
	B 22-255	5,4 m/s ²
Usikkerhet (K)		1,5 m/s ²

6 Klargjøring til arbeidet

ADVARSEL

Fare for personskader på grunn av utilsiktet start!

- ▶ Før batteriet settes i, må det kontrolleres at det tilhørende produktet er slått av.
- ▶ Fjern batteriet før du foretar maskininnstillinger eller skifter tilbehørsdeler.

Følg sikkerhetshenvisningene og advarslene i denne dokumentasjonen og på produktet.

6.1 Lade batteriet

1. Les bruksanvisningen for laderen før lading.
2. Kontaktene på batteriet og laderen må være rene og tørre.
3. Lad opp batteriet i en godkjent lader. → Side 66

6.2 Sette i batteri

ADVARSEL

Fare for personskader på grunn av kortslutning eller ved at batteriet faller ned!

- ▶ Forsikre deg om at det ikke er fremmedlegemer ved kontaktene på batteriet og kontaktene på produktet før du setter batteriet inn i maskinen.
- ▶ Kontroller at batteriet alltid går riktig i inngrep.

1. Lad batteriet helt opp før første gangs bruk.
2. Skyv batteriet inn i produktet til det klikker hørbart på plass.
3. Kontroller at batteriet sitter godt fast.

6.3 Ta ut batteri

1. Trykk på batteriets opplåsningsknapp.
2. Trekk batteriet ut av produktet.

6.4 Montere Hilti fallsikring (ekstraustyr)



Nasjonale retningslinjer for arbeid i høyden skal alltid følges under arbeid med produktet. Følg bruksanvisningen for fallsikringen.

1. Legg de to laskene til fallsikringen nøyaktig på gnistbeskytteren.
2. Bruk de tilhørende skruene, og fest fallsikringen på gnistbeskytteren, i hullene som er beregnet til formålet.
3. Sett i batteriet. → Side 71



6.5 Fallsikring

ADVARSEL

Fare for personskader som følge av at verktøy og/eller tilbehør faller ned!

- ▶ Bruk bare verktøysnoren som er anbefalt av **Hilti** til produktet.
- ▶ Kontroller festepunktet for verktøysnoren for mulige skader før hver bruk.



Følg nasjonale retningslinjer for arbeid i høyden.

Bruk som fallsikring til dette produktet kun en kombinasjon av **Hilti** fallsikringen #2293133 med **Hilti** verktøysnor #2261970.

- ▶ Fest fallsikringen i monteringsåpningene for tilbehør. Kontroller at den sitter forsvarlig fast.
- ▶ Fest den ene karabinkroken på verktøysnoren til fallsikringen og den andre karabinkroken til en bærende konstruksjon. Kontroller at begge karabinkrokene sitter forsvarlig fast.



Følg bruksanvisningene for **Hilti** fallsikring samt **Hilti** verktøysnor.

6.6 Montere sidehåndtak

- ▶ Skru sidehåndtaket fast på en av gjengehylsene som er beregnet til formålet.

6.7 Montere eller demontere beskyttelsesdekelet

FORSIKTIG

Fare for personskader. Innsatsverktøyet kan være varmt eller ha skarpe kanter.

- ▶ Bruk vernehansker ved montering, demontering, innstillingsarbeid og feilretting.
- ▶ Les monteringsveiledningen for det aktuelle beskyttelsesdekslet.

6.7.1 Montere standardbeskyttelsesdekelet



Beskyttelsesdekelet er utstyrt med styretapper for å sikre at kun riktig deksel kan monteres på produktet. Styretappen på beskyttelsesdekelet passer i deksselfestet på produktet.

1. Plasser beskyttelsesdekelet på spindelkragen slik at begge trekantmarkeringene på beskyttelsesdekelet og på produktet står overfor hverandre.
2. Trykk beskyttelsesdekelet inn på spindelkragen.
3. Trykk på dekselets låseknapp og vri dekelet i ønsket posisjon til det smekker på plass.
 - ▶ Låseknappen for dekslene spretter tilbake.

6.7.2 Regulere standardbeskyttelsesdekelet

- ▶ Trykk på dekselets låseknapp og vri dekelet i ønsket posisjon til det smekker på plass.

6.7.3 Demontere standardbeskyttelsesdekelet

1. Trykk på låseknappen og vri beskyttelsesdekelet til begge trekantmarkeringene på beskyttelsesdekelet og på produktet står overfor hverandre.
2. Ta av beskyttelsesdekelet.

6.8 Montere eller demontere frontvernet



Frontvernet må settes på standardbeskyttelsesdekelet.

1. Sett frontvernet på standardbeskyttelsesdekelet med den lukkede siden opp.
 - ▶ Låsen skal smekk hørbart på plass.
2. Ved demontering åpner du låsen til frontvernet.



3. Demonter frontvernet fra standardbeskyttelsesdekselet.

6.9 Montere eller demontere innsatsverktøy

FORSIKTIG

Fare for personskader. Innsatsverktøyet kan være varmt.

- ▶ Bruk vernehansker når du skifter innsatsverktøy.



Diamantskiver må skiftes ut når kutte- eller slipeytelsen blir merkbart dårligere. Vanligvis skjer dette når høyden på diamantsegmentene er lavere enn 2 mm.

Andre skivetyper må skiftes ut når kutteytelsen blir merkbart dårligere eller deler av vinkelsliperen (unntatt skiven) kommer i kontakt med arbeidsmaterialet under arbeidet.

Slipende skiver må skiftes ut når holdbarhetsdatoen er passert.

6.9.1 Montere innsatsverktøy

ADVARSEL

Fare for personskader. Ved bremsing av maskinens motor kan innsatsverktøyet løsne.

- ▶ Vent til innsatsverktøyet har stoppet før du griper tak i innsatsverktøyet eller spennmutteren.
- ▶ Stram innsatsverktøyet og spennflensen så hardt med spennmutteren at ingen deler på maskinens motor kan løsne fra spindelen.

1. Rengjør spennflensen og spennmutteren.
2. Kontroller om O-ringen er feilfri og på plass i spennflensen.
 - ▶ Skift ut manglende eller skadde O-ringer.
3. Sett spennflensen tilpasset og dreiesikkert på spindelen.
4. Sett på innsatsverktøyet.
5. Skru fast spennmutteren i samsvar med innsatsverktøyet som brukes.
6. Trykk på spindellåseknappen og hold den inne.
7. Trekk til spennmutteren med skrunøkkel, slipp deretter spindellåseknappen og fjern skrunøkkel.

6.9.2 Demontere innsatsverktøy

ADVARSEL

Fare for brudd og skade. Hvis spindellåseknappen trykkes inn mens spindelen roterer, kan innsatsverktøyet løsne.

- ▶ Trykk bare på spindellåseknappen når spindelen står i ro.

1. Trykk på spindellåseknappen og hold den inne.
2. Løsne spennmutteren ved å sette på spennnøkkel og dreie den mot urviseren.
3. Slipp spindellåseknappen og ta av innsatsverktøyet.

6.9.3 Montere **Kwik lock**

ADVARSEL

Fare for brudd. For sterk slitasje kan brette hurtigspennmutteren **Kwik lock**.

- ▶ Unngå kontakt med underlaget når du arbeider med **Kwik lock** hurtigspennmutter.
- ▶ Ikke bruk skadde hurtigspennmuttere **Kwik lock**.



Hurtigspennmutteren **Kwik lock** (ekstrautstyr) kan brukes i stedet for spennmutteren. Da kan du bytte innsatsverktøy uten å bruke ekstra verktøy.

1. Rengjør spennflensen og spennmutteren.
2. Kontroller om O-ringen er feilfri og på plass i spennflensen.
 - ▶ Skift ut manglende eller skadde O-ringer.
3. Sett spennflensen tilpasset og dreiesikkert på spindelen.
4. Sett på innsatsverktøyet.
5. Skru hurtigspennmutteren **Kwik lock** på til den sitter fast på innsatsverktøyet.
 - ▶ Teksten **Kwik lock** er synlig i påskrudd tilstand.



- Trykk på spindellåseknappen og hold den inne.
- Drei innsatsverktøyet hardt videre med håndkraft med urviseren til hurtigspennmutteren **Kwik lock** er trukket helt til.
- Slipp spindellåseknappen.

6.9.4 Demontere **Kwik lock**



Hvis hurtigspennmutteren **Kwik lock** ikke kan løsnes for hånd, setter du en spennnøkkel på hurtigspennmutteren og dreier spennnøkkelen mot urviseren. Ikke bruk rørtang! Hurtigspennmutteren **Kwik lock** kan bli skadet på grunn av feil verktøy.

- Trykk på låseknappen for spindelen.
- Løsne hurtigspennmutteren **Kwik lock** ved å dreie hurtigspennmutteren mot urviseren for hånd.
- Slipp spindellåseknappen og ta av innsatsverktøyet.

6.9.5 Montere borkronen **11**

- Monter sidehåndtaket. → Side 72
- Monter standardbeskyttelsesdekslet.
- Sett på borkronen og skru den fast for hånd.
- Trykk på spindellåseknappen og hold den inne.
- Trekk til borkronen med en egnet fastnøkkel.
- Slipp deretter spindellåseknappen og fjern fastnøkkelen.

6.9.6 Montere stålbørste **12**

- Monter sidehåndtaket. → Side 72
- Monter standardbeskyttelsesdekslet.
- Sett på stålbørsten, og skru den fast for hånd.
- Trykk på spindellåseknappen og hold den inne.
- Trekk til stålbørsten med en egnet fastnøkkel.
- Slipp deretter spindellåseknappen og fjern fastnøkkelen.

6.9.7 Montere fiberskive **13**

- Monter sidehåndtaket. → Side 72
- Monter standardbeskyttelsesdekslet.
- Sett på støttetallerkenen og fiberskiven, og skru fast spennmutteren.
- Trykk på spindellåseknappen og hold den inne.
- Stram spennmutteren med skrunøkkelen.
- Slipp deretter spindellåseknappen og fjern spennnøkkelen.

7 Betjening

7.1 Slå på

- Trykk på bakre del av på/av-bryteren.
- Skyv av/på-bryteren forover.
 - Motoren går.
- Lås av/på-bryteren.

7.2 Sliping



ADVARSEL

Fare for personskader. Innsatsverktøyet kan plutselig blokkeres eller forkiles.

- Bruk alltid produktet med sidehåndtakene, og hold det fast med begge hender.

Ikke la innsatsverktøyet bli klemt fast, og unngå for stort trykk på produktet.



7.3 Kapping

- ▶ Ved kapping bør du arbeide med moderat fremføring og ikke holde produktet eller kappeskiven skjært (arbeidsposisjon er ca. 90° i forhold til kappeområdet).



Profilen og små firkantrør kappes best ved å legge kappeskiven an mot det minste tverrsnittet.

7.4 Sliping



ADVARSEL

Fare for personskader. Kappeskiven kan bryte, og løsnede deler kan føre til personskader.

- ▶ Bruk aldri kappeskiver til sliping.
- ▶ Beveg produktet frem og tilbake med en innstillingsvinkel på 5° til 30° og moderat trykk.
 - ▶ Arbeidsemnet blir ikke for varmt eller misfarget, og du får ingen riller.

7.5 Slå av

- ▶ Trykk på bakre del av på/av-bryteren.
 - ▶ Av/på-bryteren går til av-posisjonen og motoren stopper.

8 Service og vedlikehold



ADVARSEL

Fare for personskader på grunn av isatt batteri !

- ▶ Ta alltid ut batteriet før stell og vedlikeholdsarbeid!



FARE

Elektrisk støt på grunn av manglende beskyttelsesisolering. Under ekstreme driftsforhold kan det ved bearbeiding av metaller samles ledende støv (f.eks. metall, kullfiber) inni maskinen og påvirke beskyttelsesisolasjonen negativt.

- ▶ Bruk et stasjonært avussgssystem ved ekstreme driftsforhold.
- ▶ Rengjør ventilasjonsåpningene ofte.

Pleie av produktet

- Fjern forsiktig gjenstridig smuss.
- Rengjør huset bare med en lett fuktet klut. Ikke bruk silikonholdige pleiemidler, ettersom dette kan angripe plastdelene.
- Bruk en ren og tørr klut for å rengjøre kontaktene på produktet.

Vedlikehold av li-ion-batterier

- Bruk aldri et batteri med tilstoppede ventilasjonsåpninger. Rengjør ventilasjonsåpningene forsiktig med en tørr og myk børste.
- Unngå at batteriet unødig utsettes for støv eller smuss. Utsett aldri batteriet for høy fuktighet (f.eks. ved å senke det ned i vann eller la det stå i regn).
Hvis et batteri blir gjennomvått, skal du behandle det som et skadd batteri. Isoler det i en ikke-brennbar beholder og kontakt **Hilti service**.
- Hold batteriet fritt for fremmed olje og fett. Ikke la unødig støv eller smuss samle seg på batteriet. Rengjør batteriet med en tørr og myk børste eller en ren og tørr klut. Ikke bruk silikonholdige pleiemidler, ettersom dette kan angripe plastdelene.
Ikke berør kontaktene på batteriet, og ikke fjern fett som er smurt på kontaktene fra fabrikkens.
- Rengjør huset bare med en lett fuktet klut. Ikke bruk silikonholdige pleiemidler, ettersom dette kan angripe plastdelene.

Vedlikehold

- Kontroller alle synlige deler regelmessig mht. skade og alle betjeningslementer mht. feilfri funksjon.
- Ved skader og/eller funksjonsfeil må produktet ikke brukes. Få produktet omgående reparert av **Hilti service**.



- Monter alle beskyttelsesinnretninger etter pleie- og vedlikeholdsarbeid, og kontroller at de fungerer feilfritt.



Av hensyn til sikkerheten må du bare bruke originale reservedeler og forbruksmateriell. Reservedeler, forbruksmaterialer og tilbehør som er godkjent av **Hilti**, finner du hos **Hilti Store** eller på: www.hilti.group

9 Transport og lagring av batteriverktøy og batterier

Transport

FORSIKTIG

Utisiktet start under transport !

- ▶ Transporter alltid produktene dine uten batterier!
- ▶ Ta ut batteri(er).
- ▶ Batterier må aldri transporteres løst. Under transport må batteriene beskyttes mot kraftige støt og vibrasjoner og isoleres fra ledende materialer og andre batterier, slik at de ikke kan komme i berøring med andre batteripoler og dermed forårsake kortslutning. **Følg lokale transportforskrifter for batterier.**
- ▶ Batterier må ikke sendes i posten. Kontakt et transportfirma hvis du vil sende uskadede batterier.
- ▶ Kontroller produkt og batterier med henblikk på skader før hver bruk samt før og etter lengre transport.

Lagring

ADVARSEL

Utisiktet skade på grunn av defekte batterier eller lekkasje fra batterier !

- ▶ Oppbevar alltid produktene dine uten batterier!
- ▶ Oppbevar produkt og batterier kjølig og tørt. Ta hensyn til temperaturrensene som er angitt under tekniske data.
- ▶ Ikke oppbevar batterier på laderen. Ta alltid batteriet ut av laderen etter ferdig lading.
- ▶ Batterier må aldri oppbevares i solen, på varmekilder eller bak glass.
- ▶ Oppbevar produktet og batterier utenfor barns og uvedkommendes rekkevidde.
- ▶ Kontroller produkt og batterier med henblikk på skader før hver bruk samt før og etter lengre tids lagring.

10 Feilsøking

Ved alle feil må du sjekke batteriets indikator for ladetilstand og feil. Se kapittelet **Indikatorer for li-ion-batteriet**.

Ved feil som ikke står i denne tabellen eller som du selv ikke kan utbedre, må du kontakte **Hilti** service.

Feil	Mulig årsak	Løsning
Produktet kan ikke slås på.	Batteriet er utladet.	▶ Skift batteri og lad tomt batteri.
Batteriet lades ut raskere enn vanlig.	Svært lave omgivelsestemperaturer.	▶ La batteriet varmes langsomt opp til romtemperatur.
Batteriet festes ikke med et hørbart klikk.	Anslagsstiften på batteriet er tilsmusset.	▶ Rengjør anslagsstiften og sett batteriet inn igjen.
Kraftig varmeutvikling i vinkelsliperen eller batteriet.	Elektrisk defekt	▶ Slå produktet av umiddelbart, ta ut batteriet, undersøk det, la det avkjøles og kontakt Hilti service.
	Tilstoppede ventilasjonsåpninger	▶ Rengjør ventilasjonsåpningene regelmessig.
Ingen bremsefunksjon for motoren.	Batteriet er utladet.	▶ Skift batteri og lad tomt batteri.
	Produktet er kortvarig overbelastet.	▶ Slå produktet av og på igjen.



11 Kassering

ADVARSEL

Fare for personskade ved ikke-forskriftsmessig kassering! Gasser eller væsker som lekker ut, utgjør en helsefare.

- ▶ Ikke send skadde batterier i posten eller på annen måte!
- ▶ Dekk til kontaktene med et ikke-ledende materiale for å unngå kortslutning.
- ▶ Kasser batterier slik at de er utilgjengelige for barn.
- ▶ Lever inn batteriet i nærmeste **Hilti Store**, eller kontakt et lokalt renovasjonsfirma.

Hilti produkter er i stor grad laget av gjenvinnbare materialer. Riktig materialsortering er en forutsetning for gjenvinning. I mange land tar **Hilti** imot ditt gamle apparat for gjenvinning. Spør **Hilti** kundeservice eller forhandleren.



- ▶ Kast aldri elektroverktøy, elektronisk utstyr eller batterier i husholdningsavfallet!

12 Produsentgaranti

- ▶ Når det gjelder spørsmål om garantibetingelser, ber vi deg kontakte din lokale **Hilti**-partner.

13 Ytterligere informasjon

Du finner mer informasjon om betjening, teknologi, miljø og resirkulering under følgende lenke: qr.hilti.com/manual/?id=2252233&id=2252235&id=2251374

Denne lenken finner du også som QR-kode bakerst i dokumentasjonen.

Alkuperäiset ohjeet

1 Tämän käyttöohjeen tiedot

1.1 Tästä käyttöohjeesta

- **Varoitus!** Ennen tuotteen käyttämistä varmista, että olet lukenut ja ymmärtänyt tuotteen mukana toimitetun käyttöohjeen ja sen sisältämät ohjeet, neuvot sekä turvallisuus- ja varoitusohjeet, kuvat ja tekniset erittelyt. Perehdy etenkin kaikkiin ohjeisiin, turvallisuus- ja varoitusohjeisiin, kuviin, teknisiin erittelyihin sekä tuotteen osiin ja toimintoihin. Ellei määräyksiä, ohjeita ja neuvoja noudateta, aiheutuu sähköiskun, tulipalon ja/tai vakavien vammojen vaara. Säilytä käyttöohje ja kaikki ohjeet sekä turvallisuus- ja varoitusohjeet myöhempiä käyttötarvetta varten.
- -tuotteet on tarkoitettu ammattikäyttöön, ja niitä saa käyttää, huoltaa tai korjata vain valtuutettu, koulutettu henkilö. Käyttäjän pitää olla hyvin perillä käyttöön liittyvistä vaaroista. Tuote ja sen varusteet saattavat aiheuttaa vaaratilanteita, jos kokemattomat henkilöt käyttävät tuotetta ohjeiden vastaisesti tai muutoin asiattomasti.
- Oheinen käyttöohje vastaa tekniikan tasoa painatushetkellä. Katso uusin versio internetistä Hiltin tuotesivustolta. Sinne pääset tässä käyttöohjeessa olevasta linkistä tai QR-koodilla, joka on merkitty symbolilla .
- Varmista, että tämä käyttöohje on mukana, kun luovutat tuotteen toiselle henkilölle.

1.2 Merkkien selitykset

1.2.1 Varoitusohjeet

Varoitusohjeet varoittavat tuotteen käyttöön liittyvistä vaaroista. Seuraavia varoitusohjeitä käytetään:

VAKAVA VAARA

VAKAVA VAARA !

- ▶ Varoittaa uhkaavasta vaaratilanteesta, josta voi seurauksena olla vakava loukkaantuminen tai jopa kuolema.



VAARA
VAARA !

► Varoittaa mahdollisesta vaarasta, josta voi seurauksena olla vakava loukkaantuminen tai kuolema.

VAROITUS
HUOMIO !

► Varoittaa mahdollisesta vaaratilanteesta, josta voi seurata loukkaantuminen tai aineellinen vahinko.

1.2.2 Symbolit käyttöohjeessa

Tässä käyttöohjeessa käytetään seuraavia symboleita:

	Noudata käyttöohjetta
	Toimintaohjeita ja muuta hyödyllistä tietoa
	Kierrätyskelpoisten materiaalien käsittely
	Älä hävitä sähkölaitteita ja akkuja tavallisen sekajätteen mukana
	Hilti Litiumioniakku
	Hilti Laturi

1.2.3 Symbolit kuvissa

Kuvissa käytetään seuraavia symboleita:

	Nämä numerot viittaavat vastaavaan kuvaan tämän käyttöohjeen alussa.
	Numerointi kertoo työvaiheiden järjestyksen kuvissa ja saattaa poiketa numeroinnista tekstissä.
	Kohtanumeroita käytetään kuvassa Yleiskuva , ja ne viittaavat kuvatekstien numerointiin kappalessa Tuoteyhteenveto .
	Tämän merkin tarkoitus on kiinnittää erityinen huomiosi tuotteen käyttöön ja käsittelyyn.

1.3 Tuotekohtaiset symbolit
1.3.1 Symbolit tuotteessa

Tuotteessa voidaan käyttää seuraavia symboleita:

	Käytä suojalaseja
n_0	Nimellisjoutokäyntikiertoaluku
/min	Kierrosta minuutissa
RPM	Kierrosta minuutissa
	Halkaisija
	Tasavirta
	Älä käytä katkaisutöissä vakiomallista teräsuojusta.
	Työtä tehdessäsi käytä aina molempia käsiäsi.
	Tämä tuote tukee iOS- ja Android-alustojen kanssa yhteensopivaa NFC-teknologiaa.



Li-Ion	Litiumioniakku
	Älä koskaan käytä akkua lyöntityökaluna.
	Älä päästä akkua putoamaan. Älä käytä akkua, johon on kohdistunut isku tai joka on muutoin vaurioitunut.

1.4 Tuotetiedot

HILTI -tuotteet on tarkoitettu ammattikäyttöön, ja niitä saa käyttää, huoltaa tai korjata vain valtuutettu, koulutettu henkilö. Käyttäjän pitää olla hyvin perillä käyttöön liittyvistä vaaroista. Tuote ja sen varusteet saattavat aiheuttaa vaaratilanteita, jos kokemattomat henkilöt käyttävät tuotetta ohjeiden vastaisesti tai muutoin asiattomasti.

Tyypimerkinnän ja sarjanumeron löydät tyyppikilvestä.

- ▶ Kirjoita sarjanumero oikeeseen taulukkoon. Tuotteen tiedot tarvitaan, jos esität kysymyksiä myynti- tai huoltoedustajallemme.

Tuotetiedot

Akkukulmahiomakone	AG 4S-22-125
Sukupolvi	02
Sarjanumero	

1.5 Vaatimustenmukaisuusvakuutus

Valmistaja vakuuttaa, että tässä kuvattu tuote täyttää sitä koskevien voimassa olevien lakien ja standardien vaatimukset. Kuva vaatimustenmukaisuusvakuutuksesta on tämän dokumentaation lopussa.

Tekninen dokumentaatio löytyy tästä:

Hilti Entwicklungsgesellschaft mbH | Zulassung Geräte | Hiltistraße 6 | 86916 Kaufering, DE

2 Turvallisuus

2.1 Sähkötyökaluja koskevat yleiset turvallisuusohjeet

⚠ VAKAVA VAARA Lue kaikki turvallisuus- ja käyttöohjeet, selostukset ja tekniset tiedot, jotka liittyvät tähän sähkötyökaluun. Seuraavien ohjeiden noudattamatta jättäminen saattaa johtaa sähköiskuun, tulipaloon ja/tai vakavaan loukkaantumiseen.

Säilytä kaikki turvallisuus- ja käyttöohjeet huolellisesti vastaisen varalle.

Turvallisuusohjeissa käytetty käsite "sähkötyökalu" tarkoittaa verkkokäyttöisiä sähkötyökaluja (joissa verkkojohto) ja akkukäyttöisiä sähkötyökaluja (joissa ei verkkojohtoa).

Työpaikan turvallisuus

- ▶ **Pidä työskentelyalue siistinä ja hyvin valaistuna.** Työpaikan epäjärjestys ja valaisemattomat työalueet voivat johtaa tapaturmiin.
- ▶ **Älä käytä sähkötyökalua räjähdysalttiissa ympäristössä, jossa on syttyvää nestettä, kaasua tai pölyä.** Sähkötyökalut synnyttävät kipinöitä, jotka saattavat sytyttää pölyn tai höyryt.
- ▶ **Pidä lapset ja sivulliset loitolla sähkötyökalua käyttäessäsi.** Voit menettää koneen hallinnan huomiosi suuntautuessa muualle.

Sähköturvallisuus

- ▶ **Sähkötyökalun pistokkeen pitää sopia pistorasiaan. Pistoketta ei saa muuttaa millään tavalla. Älä käytä pistorasia-adaptoreita suojamaadotettujen sähkötyökalujen yhteydessä.** Alkuperäisessä kunnossa olevat pistokkeet ja sopivat pistorasiat vähentävät sähköiskun vaaraa.
- ▶ **Vältä koskettamasta sähköä johtaviin pintoihin kuten putkiin, pattereihin, liesiin ja jääkaappeihin.** Sähköiskun vaara kasvaa, jos kehosi maadottuu.
- ▶ **Älä aseta sähkötyökalua alttiiksi sateelle tai kosteudelle.** Veden tunkeutuminen sähkötyökalun sisään lisää sähköiskun vaaraa.
- ▶ **Älä kannna tai ripusta sähkötyökalua verkkojohdostaan äläkä vedä pistoketta irti pistorasiasta johdosta vetämällä. Pidä johto loitolla kuumuudesta, öljystä, terävistä reunoista ja liikkuvista osista.** Vahingoittuneet tai toisiinsa kietoutuneet johdot lisäävät sähköiskun vaaraa.
- ▶ **Kun käytät sähkötyökalua ulkona, käytä ainoastaan ulkokäyttöön soveltuvia jatkojohtoja.** Ulko-käyttöön soveltuvan jatkojohdon käyttö pienentää sähköiskun vaaraa.



- ▶ **Jos sähkötyökalua on välttämätöntä käyttää kosteassa ympäristössä, käytä vikavirtasuojakytkintä.** Vikavirtasuojakytkimen käyttö pienentää sähköiskun vaaraa.

Henkilöturvallisuus

- ▶ **Ole valpas, kiinnitä huomiota työskentelyysi ja noudata tervettä järkeä sähkötyökalua käyttäessäsi. Älä käytä sähkötyökalua, jos olet väsynyt tai huumeiden, alkoholin tai lääkkeiden vaikutuksen alaisena.** Sähkötyökalua käytettäessä hetkellinenkin varomattomuus saattaa aiheuttaa vakavia vammoja.
- ▶ **Käytä henkilökohtaisia suojavarusteita ja aina suojalaseja.** Henkilökohtaiset suojavarusteet, kuten hengityssuojain, luistamattomat turvajalkineet, kypärä ja kuulosuojaimet, pienentävät oikein käytettyinä loukkaantumisriskiä sähkötyökalun käyttötilanteesta riippuen.
- ▶ **Varo tahatonta käynnistämistä. Varmista, että sähkötyökalu on kytketty pois päältä, ennen kuin liität sen verkkovirtaan ja/tai liität siihen akun, otat sen käteesi tai kannat sitä.** Jos kannat sähkötyökalua sormi käyttökytkimellä tai liität pistokkeen pistorasiaan käyttökylkimen ollessa käyntiasennossa, altistat itsesi onnettomuuksille.
- ▶ **Poista kaikki säätötyökalut ja ruuvitaltat, ennen kuin käynnistät sähkötyökalun.** Työkalu tai avain, joka sijaitsee koneen pyöriässä osassa, saattaa johtaa loukkaantumiseen.
- ▶ **Vältä vaikeita työskentelyasentoja. Varmista aina tukeva seisoma-asento ja tasapaino.** Siten voit paremmin hallita sähkötyökalua odottamattomissa tilanteissa.
- ▶ **Käytä työhösi soveltuvia vaatteita. Älä käytä löysiä työvaatteita tai koruja. Pidä hiukset, vaatteet ja käsineet loitolla liikkuvista osista.** Vältä vaatteet, korut ja pitkät hiukset voivat takertua liikkuviin osiin.
- ▶ **Jos pölynpoisto- ja keräilylaitteita voidaan asentaa, sinun on tarkastettava, että ne on liitetty oikein ja että niitä käytetään oikealla tavalla.** Pölynpoistovarustuksen käyttö vähentää pölyn aiheuttamia vaaroja.
- ▶ **Älä tuudittaudu virheelliseen turvallisuuden tunteeseen äläkä laiminlyö sähkötyökaluja koskevia turvallisuusohjeita silloinkaan, kun mielestäsi jo olet kokenut sähkötyökalun käyttäjä. Harkitsema- ton ja huolimaton toiminta voi sekunnin murto-osissa johtaa vakaviin loukkaantumisiin.**

Sähkötyökalun käyttö ja käsittely

- ▶ **Älä ylikuormita konetta. Käytä kyseiseen työhön tarkoitettua sähkötyökalua.** Sopivaa sähkötyökalua käyttäen työskentelet paremmin ja varmemmin tehoalueella, jolle sähkötyökalu on tarkoitettu.
- ▶ **Älä käytä sähkötyökalua, jonka käyttökylkin ei toimi.** Sähkötyökalu, jota ei enää voida käynnistää ja pysäyttää käyttökylkimellä, on vaarallinen ja se täytyy korjata.
- ▶ **Irrota pistoke pistorasiasta ja/tai irrota akku ennen kuin muutat säätöjä, vaihdat terää tai lisävarusteita ja kun lopetat koneen käyttämisen.** Tämä turvatoimenpide estää sähkötyökalun tahattoman käynnistysriskin.
- ▶ **Säilytä sähkötyökalut poissa lasten ulottuvilta, kun niitä ei käytetä. Älä anna toisten henkilöiden käyttää konetta, elleivät he ole perehtyneet sen käyttöön ja lukeneet käyttöohjeita.** Sähkötyökalut ovat vaarallisia, jos niitä käyttävät kokemattomat henkilöt.
- ▶ **Hoida sähkötyökaluja ja niiden varusteita huolella. Tarkasta, että liikkuvat osat toimivat moitteettomasti eivätkä ole puristuksissa, ja tarkasta myös, ettei sähkötyökalussa ole murtuneita tai vaurioituneita osia, jotka saattaisivat haitata sen toimintaa. Korjauta vaurioituneet osat ennen koneen käyttämistä.** Usein loukkaantumisten ja tapaturmien syynä on sähkötyökalujen laiminlyöty huolto.
- ▶ **Pidä terät terävinä ja puhtaina.** Huolella hoidetut terät, joiden leikkausreunat ovat teräviä, eivät jumitu herkästi, ja niillä työnteko on kevyempää.
- ▶ **Käytä sähkötyökalua, lisävarusteita ja tarvikkeita, teriä jne. niiden käyttöohjeiden mukaisesti. Ota tällöin työolosuhteet ja suoritettava työtehtävä huomioon.** Sähkötyökalun käyttö muuhun kuin sille tarkoitettuun käyttöön saattaa johtaa vaarallisiin tilanteisiin.
- ▶ **Pidä käsikahvat ja tartuntapinnat kuivina, puhtaina, öljyttöminä ja rasvattomina.** Jos käsikahvat tai tartuntapinnat ovat liukkaat, sähkötyökalun turvallinen käyttö ja hallinta voi yllättävissä tilanteissa olla mahdotonta.

Akkukäyttöisen sähkötyökalun käyttö ja käsittely

- ▶ **Lataa akku vain valmistajan suositamalla laturilla.** Jos laturi on tarkoitettu vain tietyn akkumallin lataamiseen, palovaara on olemassa, jos laturia käytetään muiden akkujen lataamiseen.
- ▶ **Käytä ainoastaan juuri kyseiseen sähkötyökaluun tarkoitettua akkua.** Jonkun muun akun käyttö saattaa johtaa loukkaantumiseen ja tulipaloon.
- ▶ **Pidä irrallinen akku loitolla metalliesineistä, kuten paperinliittimistä, kolikoista, avaimista, nau- loista, ruuveista tai muista pienistä metalliesineistä, jotka voivat oikosulkea akun liittimet.** Akun liittimien välinen oikosulku saattaa aiheuttaa palovammoja tai johtaa tulipaloon.
- ▶ **Väärästä käytöstä johtuen saattaa akusta vuotaa nestettä, jota ei saa koskettaa. Vältä kosketusta sen kanssa. Tarvittaessa huuhtele kosketuskohta vedellä. Jos nestettä pääsee silmiin, tarvitaan lisäksi lääkärin apua.** Akusta vuotava neste saattaa aiheuttaa ärsytystä ja palovammoja.



- ▶ **Älä käytä akkua, joka on vaurioitunut tai johon on tehty muutoksia.** Vaurioitunut akku tai akku, jota on muutettu, saattaa käyttäytyä yllättävästi ja aiheuttaa tulipalon, räjähdyksen ja vammoja.
- ▶ **Varjele akkua avotulelta ja korkeilta lämpötiloilta.** Avotuli tai yli 130 °C:n (265 °F) lämpötila voi aiheuttaa räjähdyksen.
- ▶ **Noudata kaikkia akun lataamisesta annettuja ohjeita, ja lataa akku tai akun sisältävä sähkötyökalu aina käyttöohjeessa mainittuja lämpötilarajoja noudattaen.** Akun virheellinen lataaminen tai lataaminen sallitun lämpötila-alueen lämpötiloita noudattamatta saattaa johtaa akun tuhoutumiseen ja aiheuttaa tulipalovaaran.

Huolto

- ▶ **Anna koulutettujen ammattihenkilöiden korjata sähkötyökalusi ja hyväksy korjauksiin vain alkupe- räisiä varaosia.** Siten varmistat koneen turvallisuuden säilymisen.
- ▶ **Älä koskaan yritä huoltaa vaurioitunutta akkua.** Akkujen kaikki huoltotyöt saa suorittaa vain valmistaja tai sen valtuuttama huoltopiste.

2.2 Kaikkien töiden turvallisuusohjeet

Hionnan, hiomapaperihionnan, harjaterien käytön, kiillottamisen ja katkaisuhionnan yhteiset turvallisuusohjeet:

- ▶ **Tätä sähkötyökalua on käytettävä hiomakoneena, hiomapaperihiomakoneena, harjauskoneena, kiillotuskoneena, reikäleikkurina tai katkaisuhiomakoneena. Ota huomioon kaikki turvallisuusohjeet, ohjeet, kuvat ja tiedot, jotka saat koneen ja sen käyttöohjeen mukana.** Jos et noudata seuraavia ohjeita, saatat saada sähköiskun, aiheuttaa tulipalon ja/tai loukkaantua vakavasti.
- ▶ **Älä tee tähän sähkötyökaluun minkäänlaisia muutoksia, joiden myötä se toimisi tavalla, jota työkalun valmistaja ei ole suunnitellut ja spesifioinut.** Tällaiset muutokset saattavat johtaa työkalun hallinnan menettämiseen ja aiheuttaa vakavia vammoja.
- ▶ **Älä käytä lisävarusteita tai tarvikkeita, joita valmistaja ei erityisesti ole suunnitellut ja hyväksynyt tässä sähkötyökalussa käytettäväksi.** Vaikka pystyisitkin kiinnittämään lisävarusteen tai tarvikkeen sähkötyökaluusi, kokonaisuus ei välttämättä ole käytön kannalta turvallinen.
- ▶ **Koneeseen kiinnitetyn työkaluterän sallitun kierrosluvun pitää olla vähintään yhtä suuri kuin sähkötyökalun ilmoitettu maksimikierrosliku.** Sallittua nopeammin pyörivä työkaluterä saattaa murtua, jolloin sen kappaleita voi sinkoutua vaarallisesti.
- ▶ **Työkaluterän ulkohalkaisijan ja vahvuuden pitää vastata sähkötyökalun tiedoissa annettuja mittatietoja.** Mitoitukseltaan vääränlaista työkaluterää ei suojata tai valvota oikein.
- ▶ **Kiinnityskierteellisten työkaluterien pitää tarkasti sopia koneen hiomakaran kierteeseen. Jos työkaluterä kiinnitetään laipalla, työkaluterän reiän halkaisijan pitää sopia kiinnityskohdan halkaisijaan laipassa.** Työkaluterät, joita ei saa tarkasti oikein kiinnitettyä sähkötyökaluun, pyörivät epätasaisesti, tärisevät voimakkaasti ja saattavat johtaa sähkötyökalun hallinnan menettämiseen.
- ▶ **Älä kiinnitä vaurioituneita työkaluteriä.** Tarkasta työkaluterän kunto aina ennen käyttämistä; tarkasta esimerkiksi hiomalaikan mahdolliset murtumat ja halkeamat, hiomalautasen murtumat ja kuluneisuus sekä harjaustyökalujen irronneet tai katkenneet harjat. Jos sähkötyökalu tai siihen tarkoitettu työkaluterä putoaa, tarkasta, ettei vaurioita syntynyt tai käytä ehjää työkaluterää. Kun olet tarkastanut ja kiinnittänyt työkaluterän, pysy itse ja pidä muut henkilöt turvallisen etäällä pyörivästä työkaluterästä ja käytä konetta minuutin ajan huippukierrosluvulla. Vaurioitunut työkaluterä ei yleensä kestä tätä testiäkaa.
- ▶ **Käytä henkilökohtaista suojavarustustasi.** Käytä työtehtävästäsi riippuen kokokasvosuojusta, silmäsuojia tai suojaaseja. Tarpeen mukaan käytä hengityssuojainta, kuulosuojaimia, suojakäsineitä ja suojaesiliinaa, jotka suojaavat sinua hionta- ja materiaalihiukkasilta. Suojaa silmäsi erillaisissa työtehtävissä sinkoilevilta hiukkasilta ja muruilta. Pöly- ja hengityssuojaimen pitää pystyä suodattamaan työtehtävässä syntyvä pöly. Jos pitemmän aikaa altistut kovalle melulle, kuulosuojaimia saattaa vaurioitua.
- ▶ **Ota myös muut ihmiset työpisteesi lähistöllä huomioon. Kaikkien työpisteesi alueelle tulevien henkilöiden pitää käyttää henkilökohtaisia suojavarusteitaan.** Työkappaleesta tai työkaluterästä sinkoavat kappaleet saattavat aiheuttaa vammoja varsinaisen työpisteesi alueen ulkopuolellakin.
- ▶ **Pidä sähkötyökalusta kiinni vain sen eristytystä kahvapinnoista, jos teet työtä, jossa sähkötyökalun työkaluterä saattaa osua rakenteen sisällä olevaan virtajohtoon.** Jos terä osuu virtajohtoon, koneen metalliosiin saattaa johtua virta, jolloin saatat saada sähköiskun.
- ▶ **Älä koskaan laske sähkötyökalua käsistäsi ennen kuin sen terä on täysin pysähtynyt.** Pyörivä työkaluterä saattaa vaarallisesti osua laskutason pintaan, minkä seurauksena saatat menettää koneen hallinnan.
- ▶ **Älä pidä sähkötyökalua käynnissä, kun kannat sitä.** Vaatteesi saattaisivat osua pyörivään työkaluterään, minkä seurauksena terä saattaisi leikkautua kehoosi.



- ▶ **Puhdista sähkötyökalusi jäähdytysilmaraoit säännöllisin välein.** Moottorin jäähdytyspuhallin imee pölyä koneen kotelon sisään, ja metallipölyn suuri määrä voi aiheuttaa sähköisen vaaratilanteen.
- ▶ **Älä käytä sähkötyökalua syttyvien materiaalien lähellä.** Kipinät saattaisivat sytyttää tällaiset materiaalit.
- ▶ **Älä käytä sähkötyökalussa työkaluteriä, jotka vaativat jäähdytystä nesteellä.** Veden tai muun nesteen käyttö jäähdytykseen saattaa aiheuttaa sähköiskun.

Takaisku ja siihen liittyvät turvallisuusohjeet

Takaiskulla tarkoitetaan pyörivän työkaluterän kuten hiomalaikan, hiomalautasen, harjaterän jne. kiinni tarttumisen tai juuttumisen seurauksena tapahtuvan työkaluterän äkillisen pysähtymisen aiheuttamaa koneen äkillistä reaktiota. Sen seurauksena sähkötyökalu liikahtaa juuttumiskohdasta hallitsemattomasti työkaluterän käyttösuuntaan nähden vastakkaiseen suuntaan.

Jos esimerkiksi hiomalaikka tarttuu kiinni tai juuttuu työkalupaleeseen, hiomalaikan työkalupaleeseen opotettu reuna pureutuu kiinni ja sen seurauksena kone saattaa iskeä takaisin. Hiomalaikka liikahtaa koneen käyttäjää kohti tai hänestä pois päin, riippuen laikan pyörimissuunnasta juuttumiskohdassa. Tällöin hiomalaikka saattaa myös murtua.

Takaisku aiheutuu sähkötyökalun vääristä tai virheellisestä käyttämisestä. Sen esiintymistä voit välttää noudattamalla seuraavassa annettuja ohjeita.

- ▶ **Pidä sähkötyökalusta kunnolla kiinni molemmiin käsiin, ja pidä kehosi sekä kätesi asennossa, jossa pystyt hyvin vastustamaan takaiskuvoimia.** Käytä aina lisäkahvaa, jos koneessa sellainen on, jotta pystyt parhaalla mahdollisella tavalla vastustamaan koneen takaiskuvoimia ja reaktiovoimia työn tekemisen ja aloittamisen aikana. Käyttäjän pitää tuntea takaisku- ja reaktiovoimien aiheuttamat vaarat.
- ▶ **Älä koskaan vie kättäsi pyörivän työkaluterän lähelle.** Työkaluterä saattaisi takaiskutilanteessa osua käteesi.
- ▶ **Puuri pitämään sähkötyökalua siten, että kehosi ei ole sähkötyökalun takaiskun kannalta vaarallisella alueella.** Takaisku liikuttaa sähkötyökalua työstöliikkeen vastakkaiseen suuntaan hiomalaikan juutuessa.
- ▶ **Tee työtä erityisen varovasti reunojen, terävien kulmien jne. lähellä. Varo, ettei työkaluterä pääse iskemään takaisin työkalupaleesta pois päin tai tarttumaan kiinni.** Pyörivä työkaluterä pyrkii tarttumaan kiinni kulmien tai terävien reunojen lähellä tai vaurioituessaan. Silloin seurauksena on hallinnan menettäminen tai takaisku.
- ▶ **Älä käytä ketjusahanterää tai hammastettua sahanterää, tai segmenttitamantilaikkaa, jos uraleveys on yli 10 mm.** Tällaiset työkaluterät aiheuttavat usein takaiskuja tai sähkötyökalun hallinnan menettämisen.

Erityiset turvallisuusohjeet koskien hiontaa ja katkaisuhiontaa:

- ▶ **Käytä ainoastaan sähkötyökaluasi tarkoitettuja hiomatyökaluja ja näille hiomatyökaluille tarkoitettua teräsuojusta.** Hiomatyökalut, joita ei ole tarkoitettu tähän sähkötyökaluun, ovat riittämättömästi suojattuja ja käytössä epävarmoja.
- ▶ **Taivutettu hiomalaikka on kiinnitettävä siten, että laikan hiomapinta-ala ei ulotu teräsuojuksen reunatason yli.** Virheellisesti kiinnitetty hiomalaikka, joka ulottuu teräsuojuksen reunatason yli, ei ole riittävästi suojattu.
- ▶ **Teräsuojus pitää kiinnittää sähkötyökaluun ja säätää siten, että turvallisuus on paras mahdollinen, ts. siten, että mahdollisimman pieni osa hiomatyökalusta on näkyvissä käyttäjän suuntaan.** Teräsuojuksen tehtävä on suojata käyttäjää sinkoilevilta kappaleilta, estää hiomatyökalun koskettaminen vahingossa ja suojata kipinöiltä, jotka saattaisivat esimerkiksi sytyttää vaatteet.
- ▶ **Hiomatyökaluja saa käyttää vain niiden hyväksytyihin käyttötarkoituksiin.** Esimerkiksi: **Älä koskaan käytä katkaisulaikan kylkipintaa hionseen.** Katkaisulaikat on tarkoitettu materiaalin leikkaamiseen laikan kehäpinnalla. Jos laikkaan vaikuttaa sivusuuntainen voima, siitä saattaa irrota hiomalaikanepalasia.
- ▶ **Käytä aina ehjää, oikean kokoista ja oikean muotoista kiinnitysliappaa valitsemasi hiomalaikan kiinnittämiseen.** Kunnolla sopivat laipat tukevat hiomalaikkaa ja vähentävät siten laikkapalasten irtoamisvaaraa. Katkaisulaikkojen laipat voivat olla erilaiset kuin muiden hiomalaikkojen laipat.
- ▶ **Älä käytä suurempien sähkötyökalujen kuluneita hiomalaikkoja.** Suurempien sähkötyökalujen hiomalaikkoja ei ole suunniteltu pienempien sähkötyökalujen suuremmille kierrosluvuille, joten tällaiset laikat saattavat murtua.
- ▶ **Käytä aina kulloiseenkin työtehtävään tarkoitettua teräsuojusta, jos käytät kahteen kertaan käytettäviä hiomatyökaluja.** Vääräläinen teräsuojus ei suojaa riittävästi, mistä voi aiheutua vakavia vammoja.

Lisää erityisiä turvallisuusohjeita koskien katkaisuhiontaa:

- ▶ **Vältä katkaisulaikan juuttumista tai liian suurta laikkaan kohdistuvaa painamisvoimaa. Älä leikkaa turhan syvältä.** Katkaisulaikan ylikuormittaminen lisää laikkaan kohdistuvaa rasitusta sekä laikan herkkyyttä kantata tai juuttua ja siten takaiskun vaaraa tai laikan murtumisen vaaraa.



- ▶ **Varo aluetta pyörivän katkaisulaikan etu- ja takapuolella.** Jos katkaisulaikka liikkuu itsestään työkappaleesta pois päin, pyörivä terä saattaa osua sinuun sähkötyökalan iskissä takaisin.
- ▶ **Jos katkaisulaikka tarttuu kiinni tai keskeytät työntöon, kytke kone pois päältä ja odota, kunnes laikka on kokonaan pysähtynyt. Älä koskaan yritä nostaa katkaisulaikkaa pois leikkausraosta, sillä muutoin kone saattaa iskeä takaisin.** Määritä ja poista kiinni tarttumisen syy.
- ▶ **Älä kytke sähkötyökalu päälle, jos sen terä on työkappaleessa.** Anna katkaisulaikan ensin saavuttaa täysi kierroslukunsa, ennen kuin varovasti jatkat leikkaamista. Muutoin laikka saattaa kantata, ponnahtaa työkappaleesta tai aiheuttaa takaiskun.
- ▶ **Tue levyt tai suuremmat työkappaleet hyvin, jotta katkaisulaikan mahdollisen kiinni tarttumisen aiheuttama takaiskuvaa vähenee.** Suuremmat työkappaleet saattavat oman painonsa vuoksi taipua. Työkappaletta on siksi tuettava molemmilta sivuilta ja katkaisukohdan sekä reunan läheltä.
- ▶ **Ole erityisen varovainen upottaessasi terää seinään tai muuhun kohteeseen, jonka rakennetta et näe tarkasti.** Kun upotat katkaisulaikkaa, rakenteen sisällä olevat kaas- tai vesiputket, sähköjohdot tai muut esineet saattavat aiheuttaa takaiskun.
- ▶ **Älä yritä leikata kaarimuotoa.** Katkaisulaikan ylikuormittaminen lisää laikkaan kohdistuvaa rasiutusta sekä laikan herkkyyttä kantata tai juuttua ja siten takaiskun vaaraa tai laikan murtumisen vaaraa, mistä voi seurata vakavia vammoja.

Erityisiä turvallisuusohjeita koskien hiontaa hiomapaperilla:

- ▶ **Käytä vain sopivan kokoisia hiomalaikkoja.** Noudata valmistajan antamia hiomalaikan koon ohjeita. Hiomalautasen yli ulottuva hiomalaikka voi aiheuttaa loukkaantumisia tai johtaa koneen jumittumiseen, hiomalaikan murtumiseen tai koneen takaiskuun.

Erityisiä turvallisuusohjeita koskien kiillottamista:

- ▶ **Älä anna kiillotussuojuksen minkään osien, etenkin kiinnitysnyörien, olla vapaana. Pakkaa tai lyhennä kiinnitysnyörit.** Vapaat, mukana pyörivät kiinnitysnyörit voivat tarttua sormiisi tai takertua työkappaleeseen.

Erityisiä turvallisuusohjeita koskien harjaterien käyttöä:

- ▶ **Ota huomioon, että harjateristä irtoaa normaalin käytön aikana harjakappaleita. Älä ylikuormita harjateriä liian suurella painamisvoimalla.** Irta sinkoutuvat harjakappaleet voivat erittäin helposti tunkeutua ohuiden vaatekappaleiden ja / tai ihon läpi.
- ▶ **Jos teräsuojuksen käyttö on määrätty, varmista, ettei teräsuojus ota kiinni harjaterään.** Lautas- ja kuppiharjaterien halkaisija voi suurentua koneen painamisvoiman ja keskipakovoimien seurauksena.

2.3 Muut turvallisuusohjeet

Henkilöturvallisuus

- ▶ Käytä vain tuotetta ja lisävarusteita, jotka ovat teknisesti moitteettomassa kunnossa.
- ▶ Älä koskaan tee tuotteeseen tai lisävarusteisiin minkäänlaisia muutoksia.
- ▶ Pidä tuotteesta aina kiinni käsikahvoista molemmin. Pidä käsikahvat kuivina, puhtaina, öljyttöminä ja rasvattomina.
- ▶ Jos käytät tuotetta ilman pölynpoistoa, pölyvässä työssä on käytettävä kevyttä hengityssuojainta.
- ▶ Pidä työssäsi usein taukoja, joiden aikana tee sormien verenkiertoa parantavia sormivoimisteluliikeitä. Pitempään jatkuva työnteko saattaa tärinän vuoksi aiheuttaa verenkiertohäiriöitä tai sormien, käsien ja ranteiden hermokipuja.
- ▶ Vältä pyörivien osien koskettamista. Kytke tuote päälle vasta, kun olet juuri aloittamassa työn. Pyörivien osien koskettaminen, etenkin pyörivien työkaluterien, saattaa aiheuttaa loukkaantumisia.
- ▶ Odota, että tuote on täysin pysähtynyt, ennen kuin lasket sen kädestäsi.
- ▶ Tuotetta ei ole tarkoitettu voimiltaan heikkojen henkilöiden käyttöön ilman opastusta. Älä jätä tuotetta lasten ulottuville.
- ▶ Hiottaessa, kiillotettaessa, leikattaessa ja porattaessa syntyvä pöly saattaa sisältää vaarallisia kemikaaleja. Niistä esimerkkejä ovat: lijy tai lijyypitoiset maalit; tiili, betoni ja muut muuraustuotteet, luonnonkivi ja muut siikaatteja sisältävät tuotteet; tietyt puulajit kuten tammi, pyökki ja kemiallisesti käsitellyt puut; asbesti tai asbestia sisältävät materiaalit. Määritä työstettävien materiaalien vaaraluokituksen perusteella käyttäjän ja lähellä olevien henkilöiden altistumisvaara. Ryhdy tarvittaviin toimenpiteisiin altistumisen pitämiseksi turvallisella tasolla, esimerkiksi käytettävä pölynkeräysjärjestelmää tai soveltuvaa hengityssuojainta. Altistumisen määrää pienentäviä yleisluonteisia toimenpiteitä ovat:
 - ▶ työn tekeminen hyvin tuulettuvassa tilassa,
 - ▶ pitkään kestävä pölyaltistuksen välttäminen,
 - ▶ pölyn ohjaaminen pois kasvoilta ja keholta,
 - ▶ suojavaatetuksen käyttö ja kehon altistuneiden kohtien pesu vedellä ja saippualla.



- ▶ Tuotteen käyttämisen aikana käyttäjän ja välittömässä läheisyydessä olevien henkilöiden on käytettävä silmäsuojaimia, suojakypärää ja kuulosuojaimia.
- ▶ Käytä suojakäsineitä, kun vaihdat työkaluterää. Työkaluterän koskettaminen saattaa aiheuttaa haavoja ja palovammoja.
- ▶ Putoamaan pääsevät työkalut ja/tai lisävarusteet aiheuttavat loukkaantumisaaran. Ennen työn aloittamista tarkasta, että akku ja asennettu lisävaruste ovat kunnolla kiinni.
- ▶ Pidä jäähdytysilmaraoit aina puhtaina. Jäähdytysilmarakojen peittyminen tai tukkeutuminen aiheuttaa palovaaran!
- ▶ Kytke tuote päälle vasta, kun olet asettanut sen työn aloittamiskohtaan.
- ▶ Odota, että tuote on täysin pysähtynyt, ennen kuin lasket sen kädestäsi.
- ▶ Jos tuote tunnistaa käyttörajojen ylityksen tai akun tyhjentymisen, saattaa olla, ettei moottori jarruta työkalua.
- ▶ Älä kiinnitä vyökoukkuja tähän tuotteeseen.

Sähkötyökalujen käyttö ja hoito

- ▶ Hiomalaikkoja on säilytettävä ja käsiteltävä huolellisesti niiden valmistajan antamien ohjeiden mukaisesti.
- ▶ Älä koskaan käytä tuotetta ilman teräsuojusta.
- ▶ Kiinnitä irrallinen työkalupale. Käytä työkalupaleen kiinnittämiseen sopivia kiinnittimiä tai ruuvipenkkiä. Näin varmistat, että työkalupale pysyy turvallisemmin paikallaan kuin käsin pideltäessä, ja lisäksi molemmat kätesi ovat vapaat tuotteen käyttämiseen.
- ▶ Älä koskaan käytä katkaisulaikkoja hiomiseen.
- ▶ Kiristä työkaluterä ja laippa kunnolla kiinni. Jos työkaluterä ja laippa eivät ole kunnolla kiinni kiristetyn työkaluterän saattaa irrota karasta koneen moottorin jarruttaessa.

Sähköturvallisuus

- ▶ Tarkasta ennen työn aloittamista, onko työskentelyalueella rakenteiden sisälle asennettuja sähköjohtoja tai kaasu- ja vesiputkia. Tuotteen ulkopinnan metalliosista saatat saada sähköiskun tai aiheuttaa räjähdyksen, jos vahingossa osut sähköjohtoon, kaasuputkeen tai vesiputkeen.
- ▶ Tarkastuta ikaantunut tuote säännöllisin välein **Hilti**-huollossa, jos usein työstät sähköä johtavia materiaaleja. Koneen pintaan kertynyt pöly, etenkin sähköä johtavien materiaalien pöly, tai kosteus saattavat epäsuotuisissa tilanteissa aiheuttaa sähköiskun.

Työpaikka

- ▶ Kun teet reikiä, varmista työstettävän kohdan taustapuoli. Putoamaan tai sinkoutumaan pääsevät palaset voivat aiheuttaa muille vammoja.
- ▶ Urien tekeminen kantaviin seinisiin tai muihin rakenteisiin voi vaikuttaa rakenteiden lujuuksiin, erityisesti jos raudoituselementtejä tai kantavia elementtejä katkaistaan. Ota ennen töiden aloittamista yhteys lujuuslaskelmista vastaavaan henkilöön, arkkitehtiin tai työnjohtoon.

Teräsuojusten käytön lisäohjeita

Seuraavien vaarojen välttämiseksi käytä aina oikeanlaista teräsuojusta, ks. kappale: "Laikan ja käytettävän varustuksen kohdistus".

- ▶ Jos vakiomallista teräsuojusta käytetään etupään suojuksen kanssa tasohionnassa, teräsuojus saattaa päästä koskettamaan työkalupaletta, mikä voi johtaa koneen hallinnan menettämiseen.
- ▶ Jos käytetään lankaharjaa, jonka paksuus ylittää suurimman sallitun paksuuden, harjan langat saattavat tarttua kiinni teräsuojukseen ja katketa.
- ▶ Jos vakiomallista teräsuojusta käytetään metallin kuivahionnassa abrasiivista katkaisulaikkaa käyttäen, kipinöiden ja hiukkasten syntymisaara on suurempi, ja laikan murtuessa laikan kappaleita voi päästä sinkoutumaan.
- ▶ Jos vakiomallista teräsuojusta käytetään etupään suojuksen kanssa tai sitä ilman betonia tai muurausta katkaistaessa ja hiohtaessa, pölyhaittojen määrä on suurempi, ja tuotteen hallinnan menettämisaara on suurempi, minkä seurauksena voi esiintyä takaiskuja.

2.4 Akkujen käyttö ja hoito

- ▶ **Noudata seuraavia turvallisuusohjeita, jotka varmistavat litiumioniakkujen turvallisen käsittelyn ja käytön.** Ohjeiden noudattamatta jättäminen saattaa aiheuttaa ihoärsytystä, vakavia syöpymisvammoja, kemiallisia palovammoja, tulipalon ja/tai räjähdyksen.
- ▶ Käytä vain akkua, joka on teknisesti moitteettomassa kunnossa.
- ▶ Käsittele akkuja huolellisesti, jotta vältät vauriot ja terveydelle vakavasti vaarallisten nesteiden vuotamisen ulos!
- ▶ Akkuja ei saa mitenkään muuttaa tai manipuloida!
- ▶ Akkuja ei saa avata, puristaa, kuumentaa lämpötilaan yli 80 °C (176 °F) tai polttaa.



- ▶ Älä käytä tai lataa akkua, johon on kohdistunut isku tai joka muutoin on vaurioitunut. Tarkasta akustasi vaurioiden merkit säännöllisin välein.
- ▶ Älä koskaan käytä kierrätettyä tai korjattua akkua.
- ▶ Älä käytä akkua tai akkukäyttöistä sähkötyökalua koskaan lyöntityökaluna.
- ▶ Älä koskaan altista akkua suoralle auringonpaisteelle, korkealle lämpötilalle, kipinöille tai avotullelle. Siitä voi aiheutua räjähdys.
- ▶ Älä kosketa akun napoja sormilla, työkaluilla, koruilla tai muilla metallisilla esineillä. Seurauksena akku voi vaurioitua ja aiheuttaa aineellisia vahinkoja tai vammoja.
- ▶ Älä altista akkua sateelle, kosteudelle tai nesteille. Sisään tunkeutunut kosteus voi aiheuttaa oikosulun, sähköiskun, palovammoja tai räjähdys.
- ▶ Käytä aina vain tälle akkutyypille tarkoitettuja latureita ja sähkötyökaluja. Noudata niiden käyttöohjeissa annettuja ohjeita.
- ▶ Älä käytä tai varastoi akkua räjähdysvaarallisessa ympäristössä.
- ▶ Jos akku on liian kuuma koskea, se saattaa olla vaurioitunut. Laita akku palvoaarattomaan paikkaan ja riittävän etäälle syttyivistä materiaaleista. Anna akun jäähtyä. Jos akku vielä tunnin kuluttuakin on liian kuuma koskea, akku on vaurioitunut. Ota yhteys **Hilti**-huoltoon tai lue dokumentti "**Hilti**-litiumioniakkujen turvallisuuteen ja käyttöön liittyviä ohjeita".

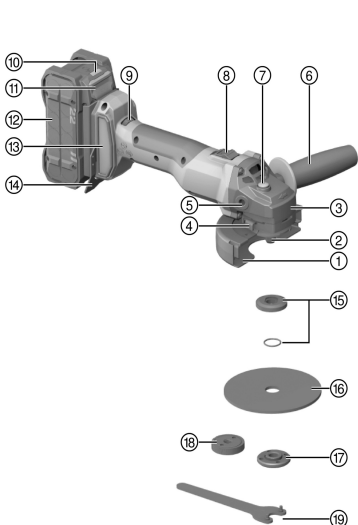


Noudata erityisiä ohjeita ja direktiivejä, jotka koskevat litiumioniakkujen kuljettamista, varastointia ja käyttöä. → Sivu 95

Lue **Hilti**-litiumioniakkujen turvallisuuteen ja käyttöön liittyvät ohjeet, jotka saat skannaamalla tämän käyttöohjeen lopussa olevan QR-koodin.

3 Kuvaus

3.1 Tuoteyhteenveto



- ① Vakiomallinen teräsuojaus
- ② Kara
- ③ Pyörimissuuntanuoli
- ④ Teräsuojauksen vapautuspainike
- ⑤ Käsikahvan kierreholkki
- ⑥ Sivukahva
- ⑦ Karan lukituspainike
- ⑧ Käyttökytkin
- ⑨ Nopeuden säätö
- ⑩ Akun tilanäyttö
- ⑪ Akun lukituksen vapautuspainike
- ⑫ Akku
- ⑬ Pölysuodatin
- ⑭ Kipinäsuojalevy
- ⑮ Kiinnitysliippa ja O-renkas
- ⑯ Katkaisulaikka / karhennuslaikka
- ⑰ Kiinnitysmutteri
- ⑱ **Kwik lock** -pikakiinnitysmutteri (lisävaruste)
- ⑲ Kiintoavain

3.2 Tarkoituksenmukainen käyttö

Kuvattu tuote on käsiohjattava akkukäyttöinen kulmahiomakone. Se on tarkoitettu metalli- ja mineraalimateriaalien katkaisemiseen ja karhentamiseen, harjaamiseen sekä hiekkapaperihiontaan vettä käyttämättä. Sitä saa käyttää ainoastaan kuivahiontaan ja -katkaisuhiontaan.

- Käytä tässä tuotteessa vain tyyppisarjan B 22 **Hilti** Nuron -litiumioniakkuja. Parhaan tehon saavuttamiseksi **Hilti** suosittaa, että tässä tuotteessa käytetään vain tämän käyttöohjeen lopussa olevassa taulukossa mainittuja akkuja.



- Käytä näiden akkujen lataamiseen vain tämän käyttöohjeen lopussa olevassa taulukossa mainittujen tyyppisarjojen **Hilti**-latureita.

3.3 Toimituksen sisältö

Kulmahiomakone, sivukahva, vakiomallinen teräsuojus, etupään suojus, kiinnityslaippa, kiinnitysmutteri, kiintoavain, pölysuodatin, käyttöohje.

Muita tälle tuotteelle hyväksytyjä järjestelmätuotteita löydät **Hilti Store** -liikkeestä tai nettiosoitteesta: www.hilti.group

3.4 ATC

Tuotteessa on elektroninen pikapoiskytkentä ATC (Active Torque Control).

Jos työkaluterä juuttuu tai takertelee, tuote saattaa yhtäkkiä ja hallitsemattomasti pyörähtää päinvastaiseen suuntaan. ATC tunnistaa tuotteen tällaisen äkillisen pyörähdysliikkeen ja kytkee tuotteen heti pois päältä.



Moitteettoman toiminnan edellytys on, että tuote pystyy pyörimään.

Pikapoiskytkennän tapahduttua kytke tuote pois päältä ja takaisin päälle.

3.5 Moottorin suojaus

Moottorin suojaus valvoo moottorin virrankulutusta sekä lämpötilaa ja suojaa tuotetta ylikuumentumiselta.

Jos liian voimakkaasti painettaessa moottori ylikuormittuu, tuotteen teho heikkenee huomattavasti tai tuote saattaa pysähtyä.



Jos tuote pysähtyy tai sen kierrosluku laskee ylikuormituksen vuoksi, kevennä kuormitusta ja käytä tuotetta joutokäyntikierrosluvulla noin 30 sekunnin ajan.

3.6 Integroitu jarru

Työkaluterän pysähtymiseen kuluva aika lyhenee integroidun jarrun ansiosta.



Tämä toiminto on käytettävissä vain, kun tuote saa virtaa.

Jarrutusaika vaihtelee valitusta työkaluterästä riippuen.

3.7 Etupään suojus 2

Alla mainituissa työtehtävissä käytä etupään suojusta vakiomallisen teräsuojuksen kanssa:

- Karhennushionta suorilla karhennuslaikoilla
- Katkaisuhionta katkaisulaikoilla

3.8 Pölynpoistosuojus (katkaisemiseen) DC-EX 125/5" C Kompaktisuojaus (lisävaruste) 3

Jos teet mineraalimateriaalien katkaisuhiontaa timanttikatkaisulaikoja käyttäen, käytä kompaktisuojusta DC-EX 125/5" C.

Metallin työstäminen tätä suojusta käyttäen on kielletty.

3.9 Pölynpoistosuojus (leikkaamiseen) DC-EX 125/5" M (lisävaruste) 4

Mineraalimateriaalien katkaisuhionta- ja leikkaustöitä timanttikatkaisulaikoilla saa tehdä vain pölynpoistosuojusta käytettäessä.

VAROITUS Metallin työstäminen tätä suojusta käyttäen on kielletty.

3.10 Pölynpoistosuojus (hiontaan) DG-EX 125/5" (lisävaruste) 5

Hiomakonetta saa käyttää vain satunnaisesti kivimateriaalien hiontaan timanttikuppilaikalla.

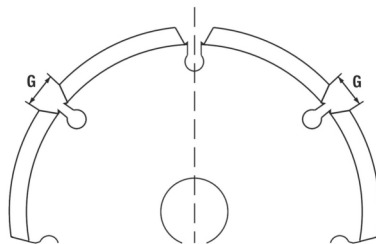
Metallin työstäminen tätä suojusta käyttäen on kielletty.



3.11 Soveltuvien uraleikkuritmittilaikkojen geometria

Uraleikkuritmittilaikkojen on täytettävä seuraavat geometriset edellytykset.

Tekniset tiedot	
Segmenttien välinen uraleveys (G)	≤ 10 mm
Leikkauskulma	negatiivinen



3.12 Litiumioniakun näyttö

Hilti Nuron -litiumioniakuissa on lataustilan, vikailmoitusten ja akun kunnon näyttö.

3.12.1 Lataustilan ja vikailmoitusten näyttö



VAARA

Loukkaantumisvaara akun putoamisesta aiheutuva!

- Varmista, että akku on kunnolla lukittunut tuotteeseen, jos akun paikalleen laittamisen jälkeen olet painanut lukituksen vapautuspainiketta.

Jotta jokin seuraavista näytöistä voi tulla näyttöön, paina akun lukituksen vapautuspainiketta lyhyesti. Lataustila ja mahdolliset häiriöt pysyvät näytössä niin kauan, kuin liitetty tuote on päälle kytkettyinä.

Tila	Merkitys
Neljä (4) LED-merkkivaloa palaa jatkuvasti vihreänä	Lataustila: 100...71 %
Kolme (3) LED-merkkivaloa palaa jatkuvasti vihreänä	Lataustila: 70...51 %
Kaksi (2) LED-merkkivaloa palaa jatkuvasti vihreänä	Lataustila: 50...26 %
Yksi (1) LED palaa jatkuvasti vihreänä	Lataustila: 25...10 %
Yksi (1) LED-merkkivalo vilkkuu hitaasti vihreänä	Lataustila: < 10 %
Yksi (1) LED-merkkivalo vilkkuu nopeasti vihreänä	Litiumioniakku on täysin tyhjentynyt. Lataa akku. Jos LED-merkkivalo akun lataamisen jälkeenkin vielä vilkkuu nopeasti, ota yhteys Hilti -huoltoon.
Yksi (1) LED-merkkivalo vilkkuu nopeasti keltaisena	Litiumioniakku tai siihen liitetty tuote on ylikuormitunut, liian kuuma tai liian kylmä tai jokin muu vika on olemassa. Saata tuote ja akku suositeltuun käyttölämpötilaan ja älä ylikuormita tuotetta sitä käyttäessäsi. Jos viesti edelleen on näytössä, ota yhteys Hilti -huoltoon.
Yksi (1) LED-merkkivalo palaa keltaisena	Litiumioniakku ja siihen liitetty tuote eivät ole yhteensopivat. Ota yhteys Hilti -huoltoon.
Yksi (1) LED-merkkivalo vilkkuu nopeasti punaisena	Litiumioniakku on estetty eikä sitä voida käyttää. Ota yhteys Hilti -huoltoon.

3.12.2 Akun kunnon näyttö

Litiumioniakun kunnon voit hakea näyttöön painamalla akun lukituksen vapautuspainiketta yli kolmen sekunnin ajan. Järjestelmä tunnistaa akun mahdollisen virheellisen toiminnan väärin käyttämisen seurauksena, esimerkiksi akku päässyt putoamaan, akussa reikä, akussa ulkoisen lämmön aiheuttama vaurio jne.

Tila	Merkitys
Kaikki LED-merkkivalot syttyvät juoksevasti ja sitten yksi (1) LED-merkkivalo jää palamaan vihreänä.	Accun käyttämistä voidaan jatkaa.



Tila	Merkitys
Kaikki LED-merkkivalot syttyvät juoksevasti ja siten yksi (1) LED-merkkivalo vilkkuu nopeasti keltaisena.	Kyselyä akun kunnosta ei saatu tehtyä loppuun saakka. Toista tämä vaihe tai ota yhteys Hilti -huoltoon.
Kaikki LED-merkkivalot syttyvät juoksevasti ja siten yksi (1) LED-merkkivalo jää palamaan punaisena.	Jos liitettyä tuotetta voi edelleen käyttää, jäljellä oleva akkukapasiteetti on alle 50 %. Jos liitettyä tuotetta ei enää voi käyttää, akku on tullut käyttöikänsä päähän ja vaihdettava. Ota yhteys Hilti -huoltoon.

4 Käyttömateriaali

Koneessa saa käyttää vain keinohartsisidonnaisia kuituvahvisteisia katkaisulaikkoja, joiden max. Ø on 125 mm ja jotka on hyväksytty vähintään kierrosluvulle 11 000/min ja kehänopeudelle 80 m/s.

HUOMIO! Katkaisulaikoilla katkaistaessa ja leikattaessa koneessa on aina käytettävä etupään suoja-levyistä vakiomallista teräsuojusta tai täysin suljettua pölynpoistosuojusta.

Laikat

Tyyppi	Käyttökohde	Lyhenn nimi	Materiaali	Maksimi-paksuus	Maksimi-halkaisija
Abrasiv-katkaisulaikka	Katkaisuhionta, leikkaaminen	AC-D	metallinen	2,5 mm	125 mm
Timanttikatkaisulaikka	Katkaisuhionta, leikkaaminen	DC-TP, DC-D (SPX, SP, P)	mineraalinen	3 mm	125 mm
Abrasiv-karhennuslaikka	Karhennushionta	AG-D, AF-D, AN-D	metallinen	6,4 mm	125 mm
Timanttikarhennuslaikka	Karhennushionta	DG-CW (SPX, SP, P)	mineraalinen	-	125 mm
Lankaharja	Lankaharjat	3CS, 4CS, 3SS, 4SS	metallinen	- 27 mm	75 mm 125 mm
Timanttikorakruunu	Laattaporaus	DD-M14	mineraalinen	-	125 mm
Kuitulaikka	Karhennushionta	AP-D	metallinen	-	125 mm

Laikan ja käytettävän varustuksen kohdistus

Koh-ta	Varustus	AC-D	AP-D	AG-D, AF-D, AN-D	DG-CW (SPX, SP, P)	DC-TP, DC-D (SPX, SP, P)	3CS, 4CS, 3SS, 4SS, DD-M14
A	Teräsuojus (vakio)	✓	✓	✓	✓	✓	✓
B	Etupään suojus (A:n yhteydessä)	✓	—	—	—	✓	—
C	Pölynpoistosuojus (hiontaan) DG-EX 125/5"	—	—	—	✓	—	—
D	Pölynpoistosuojus (katkaisemiseen) DC-EX 125/5"C (A:n yhteydessä)	—	—	—	—	✓	—
E	Pölynpoistosuojus (leikkaamiseen) DC-EX 125/5"M	—	—	—	—	✓	—
F	Adapteri DC-EX SL (E:n yhteydessä)	—	—	—	—	✓	—
G	Sivukahva (vakio)	✓	✓	✓	✓	✓	✓
H	Kiinnitysmutteri (vakio)	✓	—	✓	✓	✓	—



Koh- ta	Varustus	AC-D	AP-D	AG-D, AF-D, AN-D	DG-CW (SPX, SP, P)	DC-TP, DC-D (SPX, SP, P)	3CS, 4CS, 3SS, 4SS, DD-M14
I	Kiinnityslaippa (vakio)	✓	—	✓	✓	✓	—
J	Kwik lock (lisävarus- te H:lle)	✓	—	✓	—	✓	—
K	Kiinnitysmutteri (kuitulaikka)	—	✓	—	—	—	—
L	Tukilautanen (kuitu- laikka)	—	✓	—	—	—	—

5 Tekniset tiedot

	AG 4S-22-125
Nimellisjännite	21,6 V
Nimelliskierrosuku	8 500/min
Laikan maksimihalkaisija	125 mm
Paino EPTA Procedure 01 mukaan ilman akkua	2,1 kg
Karan kierre	M14
Karan pituus	22 mm
Ympäristön lämpötila käytettäessä	-17 °C ... 60 °C (1 °F ... 140 °F)
Varastointilämpötila	-20 °C ... 70 °C (-4 °F ... 158 °F)

5.1 Akku

Akkutoimintajännite	21,6 V
Akun paino	Ks. tämän käyttöohjeen loppu
Ympäristön lämpötila käytettäessä	-17 °C ... 60 °C (1 °F ... 140 °F)
Varastointilämpötila	-20 °C ... 40 °C (-4 °F ... 104 °F)
Akun lämpötila lataamisen alkaessa	-10 °C ... 45 °C (14 °F ... 113 °F)

5.2 Melutiedot ja värinäarvot 62841-2-3:2021 mukaan

Tässä käyttöohjeessa annetut äänenpaine- ja värinäarvot on mitattu standardoitujen mittausmenetelmien mukaisesti, ja näitä arvoja voidaan käyttää sähkötyökalujen vertailussa. Ne soveltuvat myös altistumisten tilapäiseen arviointiin.

Annetut arvot koskevat sähkötyökalun pääasiallisia käyttötarkoituksia. Jos sähkötyökalua kuitenkin käytetään muihin tarkoituksiin, poikkeavia työkaluja tai teriä käyttäen tai puutteellisesti huollettuna, arvot voivat poiketa tässä ilmoitetuista. Tämä saattaa merkittävästi lisätä altistumista koko työskentelyajan aikana.

Altistumisia tarkasti arvioitaessa on otettava huomioon myös ne ajat, jolloin sähkötyökalu on kytketty pois päältä tai jolloin sähkötyökalu on päällä, mutta sillä ei tehdä varsinaista työtä. Tämä saattaa merkittävästi vähentää altistumista koko työskentelyajan aikana.

Käyttäjän suojaamiseksi melun ja/tai värinän vaikutukselta ryhdy tarpeellisiin turvatoimenpiteisiin kuten: Sähkötyökalun ja siihen kiinnitettävien työkaluterien huolto, käsien lämpimänä pitäminen, työtehtävien organisointi.

Ohuiden levyjen tai muiden herkästi värähtelevien, suuripinta-alaisten rakenteiden hiominen saattaa johtaa tässä ilmoitetut melupäästöarvot ylittävään melupäästöön. Näin syntyvää melupäästöä voit pienentää ääntä vaimentavilla toimenpiteillä kuten käyttämällä raskaita, joustavia vaimennusmattoja. Melulle altistumisen vaaraa arvioidessasi ja soveltuvia kuulosuojaimia valitessasi ota aina huomioon myös nämä suuremmat arvot.



Meluarvot

	AG 4S-22-125
Melupäästön äänenpainetaso (L_{pA})	89 dB(A)
Äänenpainetason epävarmuus (K_{pA})	3 dB(A)
Äänitehotaso (L_{wA})	97 dB(A)
Äänitehotason epävarmuus (K_{wA})	3 dB(A)

Tärinäarvot

Muut käyttötavat kuten katkaiseminen saattavat aiheuttaa tästä poikkeavia tärinäarvoja.

		AG 4S-22-125
Pintojen hionta ($a_{h,AG}$)	B 22-55	5,1 m/s ²
	B 22-255	5,4 m/s ²
Epävarmuus (K)		1,5 m/s ²

6 Työkohteen valmistelu

VAARA

Loukkaantumiswaara vahingossa käynnistymisen seurauksena!

- ▶ Varmista ennen akun kiinnittämistä, että tuote on kytketty pois päältä.
- ▶ Irrota akku, ennen kuin muutat koneen säätöjä tai vaihdat lisävarusteosia.

Noudata tässä dokumentaatiossa ja tuotteessa olevia turvallisuus- ja varoitushuomautuksia.

6.1 Akun lataus

1. Ennen lataamista lue laturin käyttöohje.
2. Varmista, että liittimet akussa ja laturissa ovat puhtaat ja kuivat.
3. Lataa akku hyväksytyllä laturilla. → Sivu 85

6.2 Akun kiinnitys

VAARA

Loukkaantumiswaara akun oikosulun tai putoamisen seurauksena!

- ▶ Ennen akun paikalleen laittamista varmista, ettei akun liittimissä akussa ja tuotteessa ole vieraita esineitä.
- ▶ Varmista, että akku aina lukittuu kunnolla paikalleen.

1. Lataa akku täyteen ennen ensimmäistä käyttökertaa.
2. Työnnä akku tuotteeseen siten, että akku kuultavasti lukittuu paikalleen.
3. Tarkasta, että akku on kunnolla kiinni.

6.3 Akun irrotus

1. Paina akun lukituksen vapautuspainiketta.
2. Vedä akku irti tuotteesta.

6.4 Hiiti-putoamisvarmistimen (lisävaruste) asennus



Tuotetta käytettäessä on noudatettava lattia-/maanpintatasoa korkeammalla tehtäviä töitä koskevia kansallisia määräyksiä.

Noudata putoamisvarmistimen käyttöohjetta.

1. Laita putoamisvarmistimen kummatkin lenkit tarkasti kipinäsuojalevyyn.
2. Kiinnitä putoamisvarmistin ruuveillaan kipinäsuojalevyssä oleviin reikiin.
3. Kiinnitä akku paikalleen. → Sivu 90



6.5 Putoamissuoja

VAARA

Loukkaantumisvaara työkalun ja/tai lisävarusteen putoamisvaaran vuoksi!

- ▶ Käytä vain tuotteellesi suositeltua **Hilti**-työkaluliinaa.
- ▶ Aina ennen käyttöä tarkasta työkaluliinan kiinnityspisteen mahdolliset vauriot.



Noudata maassasi voimassa olevia korkealla tehtävien töiden määräyksiä ja ohjeita.

Käytä tämän tuotteen putoamissuojana ainoastaan **Hilti**-putoamisvarmistimen #2293133 ja **Hilti**-työkaluliinan #2261970 yhdistelmää.

- ▶ Kiinnitä putoamisvarmistin lisävarusteelle tarkoitettuihin kiinnitysaukoihin. Tarkasta kunnollinen kiinnitys.
- ▶ Kiinnitä toinen karbiinikoukku putoamisvarmistuksen työkaluliinaan ja toinen karbiinikoukku kantavaan rakenteeseen. Tarkasta kummankin karbiinikoukun kunnollinen kiinnitys.



Noudata **Hilti**-putoamisvarmistimen ja **Hilti**-työkaluliinan käyttöohjeita.

6.6 Sivukahvan kiinnitys

- ▶ Kiinnitä sivukahva yhteen koneessa olevista kierreholkeista.

6.7 Teräsuojuksen kiinnitys ja irrotus

VAROITUS

Loukkaantumisvaara. Työkalu voi olla kuuma tai teräväreunainen.

- ▶ Käytä suojakäsineitä, kun kiinnität tai irrotat osia, teet säätöjä tai korjaat toimintahäiriöitä.

- ▶ Noudata kyseisen suojuksen kiinnitysohjetta.

6.7.1 Vakiomallisen teräsuojuksen kiinnitys



Teräsuojuksessa on koodausnokat, joten tuotteeseen voidaan kiinnittää vain siihen sopiva suojus. Teräsuojus liikkuu koodausnokkien varassa tuotteessa olevassa suojuksen kiinnityskohdassa.

1. Sovita teräsuojus karan kaulukselle siten, että tuotteen ja suojuksen kolmiomerkit ovat kohdakkain.
2. Paina teräsuojus karan kaulukseen.
3. Paina teräsuojuksen lukituksen vapautuspainiketta ja käännä suojus haluamaasi asentoon siten, että suojus lukittuu paikalleen.
 - ▶ Teräsuojuksen vapautuspainike ponnahtaa taakse.

6.7.2 Vakiomallisen teräsuojuksen säätö

- ▶ Paina teräsuojuksen lukituksen vapautuspainiketta ja käännä suojus haluamaasi asentoon siten, että suojus lukittuu paikalleen.

6.7.3 Vakiomallisen teräsuojuksen irrotus

1. Paina teräsuojuksen vapautuspainiketta ja käännä suojusta siten, että siinä ja tuotteessa olevat kaksi kolmiomerkkiä ovat kohdakkain.
2. Ota teräsuojus pois.

6.8 Etupään suojuksen kiinnitys ja irrotus



Etupään suojus pitää kiinnittää vakiomalliseen teräsuojukseen.

1. Aseta etupään suojus suljettu puoli ylöspäin osoittaen vakiomalliseen teräsuojukseen.
 - ▶ Lukittumisen pitää kuulua.



2. Irrottamista varten avaa etupään suojuksen lukitus.
3. Irrota etupään suojuks vakiomallisesta terässojuksesta.

6.9 Työkaluterien kiinnitys ja irrotus

VAROITUS

Loukkaantumisvaara. Työkaluterä saattaa olla kuuma.

- ▶ Käytä suojakäsineitä, kun vaihdat työkaluterää.



Timanttilaikka on vaihdettava, jos sen katkaisu- tai hiontateho on huomattavasti heikentynyt. Yleensä näin on, kun timanttisegmenttien korkeus on kulunut alle 2 mm:iin.

Muun tyyppiset laikat on vaihdettava, jos niiden katkaisuteho on huomattavasti heikentynyt tai jos kulmahiomakoneen osat (laikkaa lukuun ottamatta) työtä tehtäessä koskettavat katkaistavaa materiaalia.

Abrasiv-katkaisulaikat on vaihdettava laikan viimeisen käyttöpäivän ylityttyä.

6.9.1 Työkaluterän kiinnitys

VAARA

Loukkaantumisvaara. Työkaluterä saattaa irrota koneen moottorin jarruttaessa.

- ▶ Odota, kunnes työkaluterä on pysähtynyt, ennen kuin kosket työkaluterään tai kiristysmutteriin.
- ▶ Kiristä työkaluterä ja kiristyslaippa kiristysmutterilla niin tiukalle, että laitteen moottorin jarruttaessa karasta ei pääse irtoamaan mitään osia.

1. Puhdista kiinnityslaippa ja kiinnitysmutteri.
2. Tarkasta, että kiinnityslaipassa on O-renkas ja että O-renkas on vaurioton.
 - ▶ Asenna puuttunut O-renkas tai vaihda vaurioitunut O-renkas.
3. Aseta kiinnityslaippa muotosulkeisesti karaan ja varmista, ettei laippa pääse kiertymään.
4. Aseta työkaluterä paikalleen.
5. Kiristä kiinnitysmutteri käytettävän työkaluterän mukaisesti kiinni.
6. Paina karan lukituspainiketta ja pidä se painettuna.
7. Kiristä kiinnitysmutteri kiintoavaimella kiinni, vapauta sitten karan lukituspainike ja poista kiintoavain.

6.9.2 Työkaluterän irrotus

VAARA

Murtumis- ja rikkoontumisvaara. Jos karalukituksen painiketta painetaan karan pyöriessä, työkaluterä voi irrota.

- ▶ Paina karalukituksen painiketta vain, kun kara ei pyöri.

1. Paina karan lukituspainiketta ja pidä se painettuna.
2. Irrota kiinnitysmutteri kiinnittämällä siihen kiintoavain ja sitten vastapäivään kiertäen.
3. Vapauta karajarrun painike ja ota työkaluterä pois.

6.9.3 **Kwik lock-pikakiinnitysmutterin kiinnitys**

VAARA

Murtumavaara. Liian suuri kulutus saattaa saada **Kwik lock** -pikakiinnitysmutterin murtumaan.

- ▶ Työtä tehdessäsi varmista, ettei **Kwik lock** -pikakiinnitysmutteri kosketa yöstettävään pintaan.
- ▶ Älä käytä vaurioitunutta **Kwik lock** -pikakiinnitysmutteria.



Kiinnitysmutterin sijasta voidaan vaihtoehtoisesti käyttää **Kwik lock** -pikakiinnitysmutteria. Silloin työkaluterän vaihdossa ei tarvita muita työkaluja.

1. Puhdista kiinnityslaippa ja kiinnitysmutteri.
2. Tarkasta, että kiinnityslaipassa on O-renkas ja että O-renkas on vaurioton.
 - ▶ Asenna puuttunut O-renkas tai vaihda vaurioitunut O-renkas.
3. Aseta kiinnityslaippa muotosulkeisesti karaan ja varmista, ettei laippa pääse kiertymään.
4. Aseta työkaluterä paikalleen.



- Kierrä **Kwik lock** -pikakiinnitysmutteri paikalleen siten, että se on työkaluterää vasten.
 - Teksti **Kwik lock** on näkyvässä, kun mutteri on paikallaan.
- Paina karalukituksen painiketta ja pidä se painettuna.
- Kierrä työkaluterää voimakkaasti käsin myötäpäivään, kunnes **Kwik lock** -pikakiinnitysmutteri on kunnolla kiinni.
- Vapauta karan lukituspainike.

6.9.4 **Kwik lock** -pikakiinnitysmutterin irrotus



Jos **Kwik lock** -pikakiinnitysmutteria ei saa irrotettua käsin, aseta kiintoavain pikakiinnitysmutteriin ja kierrä kiintoavaimella vastapäivään. Älä koskaan käytä putkipihtejä. Väärä työkalu voi vaurioittaa **Kwik lock** -pikakiinnitysmutteria.

- Paina karalukituksen painiketta.
- Irrrota **Kwik lock** -pikakiinnitysmutteri kiertämällä sitä käsin vastapäivään.
- Vapauta karalukituksen painike ja ota työkaluterä pois.

6.9.5 Porakruunun kiinnitys **11**

- Kiinnitä sivukahva. → Sivu 91
- Kiinnitä vakiomallinen teräsuojus.
- Aseta porakruunu paikalleen ja kiristä se kiinni käsitiukkuuteen.
- Paina karan lukituspainiketta ja pidä se painettuna.
- Kiristä porakruunu sopivalla kiintoavaimella kiinni.
- Vapauta karajarrun painike ja ota kiintoavain pois.

6.9.6 Lankaharjan kiinnitys **12**

- Kiinnitä sivukahva. → Sivu 91
- Kiinnitä vakiomallinen teräsuojus.
- Aseta lankaharja paikalleen ja kiristä se kiinni käsitiukkuuteen.
- Paina karan lukituspainiketta ja pidä se painettuna.
- Kiristä lankaharja kiinni sopivalla kiintoavaimella.
- Vapauta karajarrun painike ja ota kiintoavain pois.

6.9.7 Kuitulaikan kiinnitys **13**

- Kiinnitä sivukahva. → Sivu 91
- Kiinnitä vakiomallinen teräsuojus.
- Aseta tukilautanen ja kuitulaikka paikalleen ja kierrä kiristä kiinnitysmutteri kiinni.
- Paina karan lukituspainiketta ja pidä se painettuna.
- Kiristä kiinnitysmutteri kiintoavaimella kiinni.
- Vapauta sitten karajarrun painike ja ota kiintoavain pois.

7 Käyttö

7.1 Kytkeminen päälle

- Paina käyttökytkimen takaosaa.
- Työnnä käyttökytkintä eteenpäin.
 - Moottori pyörii.
- Lukitse käyttökytkin.

7.2 Hionta



VAARA

Loukkaantumisvaara. Työkaluterä voi jumittua tai takertua äkillisesti.

- Käytä tuotteessa sivukahvaa ja pidä tuotteesta aina molemmin käsin lujasti kiinni.

Älä päästä työkaluterää jumittumaan, ja vältä tuotteen painamista liian suurella voimalla.



7.3 Katkaisuhionta

- ▶ Katkaisuhionnassa käytä kohtuullista syöttöä; älä kantaa tuotetta tai katkaisulaikkaa (pidä tuote noin 90° kulmassa katkaistavaan pintaan nähden).



Profiilit ja pienet nelikulmaputket kannattaa katkaista kohdistamalla katkaisulaikka kapeimpaan kohtaan.

7.4 Karhennushionta



VAARA

Loukkaantumisvaara. Katkaisulaikka voi haljeta ja sinkoilevat osat voivat aiheuttaa loukkaantumisia.

- ▶ Älä koskaan käytä katkaisulaikkoja karhennushiontaan.
- ▶ Liikuta tuotetta työstökulmalla 5–30° edestakaisin keskimääräisellä voimalla painaen.
 - ▶ Työkappale ei kuumene liikaa tai värjäänny eikä siihen synny uria.

7.5 Kytkeminen pois päältä

- ▶ Paina käyttökytkimen takaosaa.
 - ▶ Käyttökytkin ponnahtaa pois päältä -asentoon ja moottori pysähtyy.

8 Huolto, hoito ja kunnossapito



VAARA

Loukkaantumisvaara jos akku paikallaan !

- ▶ Irrota akku aina ennen hoito- ja kunnostustöitä!



VAKAVA VAARA

Puuttuvasta suojaeristeestä aiheutuva sähköisku. Äärimmäisissä käyttöolosuhteissa saattaa metallin työstössä syntyvää, sähköä johtavaa pölyä (esimerkiksi metalli, hiilikuitu) kertyä laitteen sisälle, missä se voi vaurioittaa suojaeristettä.

- ▶ Käytä äärimmäisissä käyttöolosuhteissa kiinteää pölynpoistovarustusta.
- ▶ Puhdista tuuletusraot usein.

Tuotteen hoito

- Puhdista pinttynyt lika varovasti.
- Puhdista kotelon pinnat vain kevyesti kostutetulla kankaalla. Älä käytä siilikonia sisältäviä hoitoaineita, sillä ne saattavat vaurioittaa muoviosia.
- Käytä tuotteen liittimien puhdistamiseen vain puhdasta ja kuivaa kangaspalaa.

Litiumioniakkujen hoito

- Älä koskaan käytä akkua, jos sen jäähdytysilmaraot ovat tukkeutuneet. Puhdista jäähdytysilmaraot varovasti kuivalla, pehmeällä harjalla.
- Vältä altistamista akkua tarpeettomasti pölylle tai lialle. Älä koskaan altista akkua suurelle kosteudelle (esimerkiksi upota veteen tai jätä sateeseen).
Jos akku on pahoin kastunut, käsittele sitä kuin vaurioitunutta akkua. Eristä akku palamattomasta materiaalista valmistettuun astiaan ja ota yhteys **Hilti**-huoltoon.
- Pidä akku öljyttömänä ja rasvattomana. Älä anna pölyn ja lian kertyä akun pintaan. Puhdista akku kuivalla, pehmeällä harjalla tai puhtaalla, kuivalla kankaalla. Älä käytä siilikonia sisältäviä hoitoaineita, sillä ne saattavat vaurioittaa muoviosia.
Älä kosketa akun liittimiä äläkä poista akun liittimiin tehtaalla laitettua rasvaa.
- Puhdista kotelon pinnat vain kevyesti kostutetulla kankaalla. Älä käytä siilikonia sisältäviä hoitoaineita, sillä ne saattavat vaurioittaa muoviosia.

Kunnossapito

- Tarkasta säännöllisin välein kaikkien näkyvien osien mahdolliset vauriot ja käyttöelementtien moitteeton toiminta.
- Jos havaitset vaurioita ja/tai toimintahäiriöitä, älä käytä tuotetta. Korjauta tuote viipymättä **Hilti**-huollossa.



- Hoito- ja kunnostustöiden jälkeen kiinnitä kaikki suojalaitteet takaisin ja tarkasta niiden moitteeton toiminta.



Käyttöturvallisuuden varmistamiseksi käytä vain alkuperäisiä varaosia ja käyttömateriaaleja. **Hiltin** tälle tuotteelle hyväksymiä varaosia, kulutusmateriaaleja ja lisävarusteita löydät **Hilti Store** -liikkeestä tai osoitteesta: www.hilti.group

9 Akkukäyttöisten työkalujen ja akkujen kuljetus ja varastointi

Kuljettaminen

VAROITUS

Käynnistyminen vahingossa kuljetuksen aikana !

- ▶ Kuljeta tuotteesi aina akku irrotettuna!
- ▶ Irrota akku/akut.
- ▶ Älä koskaan kuljeta akkuja irrallaan muiden tavaroiden joukossa. Akut on suojaava kuljetuksen ajaksi koviilta iskuilta ja värinäältä, ja ne on eristettävä kaikenlaisista sähköä johtavista materiaaleista ja muista akuista, jotta niiden navat eivät pääse kosketuksiin muiden akkujen napojen kanssa. Seurauksena saattaisi olla oikosulku. **Noudata maakohtaisia akkujen kuljetusmääräyksiä.**
- ▶ Akkuja ei saa koskaan lähettää postitse. Käännä kuljetusyrityksen puoleen, kun haluat lähettää vaurioittomia akkuja.
- ▶ Tarkasta tuotteen ja akun mahdolliset vauriot aina ennen käyttöä sekä ennen pitkää kuljetusta ja sen jälkeen.

Varastointi

VAARA

Viallinen tai vuotava akku voi aiheuttaa vaurioita !

- ▶ Varastoi tuotteesi aina akku irrotettuna!
- ▶ Varastoi tuote ja akut viileässä ja kuivassa paikassa. Ota teknisissä tiedoissa annetut lämpötilarajat huomioon.
- ▶ Akkuja ei saa säilyttää laturissa. Irrota akku laturista aina latauksen päätyttyä.
- ▶ Älä koskaan varastoi akkuja auringonpaisteessa, lämmönlähteen päällä tai ikkunan vieressä.
- ▶ Varastoi tuote ja akut lasten ja asiattomien henkilöiden ulottumattomissa.
- ▶ Tarkasta tuotteen ja akun mahdolliset vauriot aina ennen käyttöä sekä ennen pitkää varastointia ja sen jälkeen.

10 Apua häiriötilanteisiin

Kaikissa häiriötilanteissa tarkkaile lataustilan ja vikojen näytön merkkivaloja. Ks. kappale **Litiumioniakun merkkivalot**.

Häiriöissä, joita ei ole kuvattu tässä taulukossa tai joita et itse pysty poistamaan, ota yhteys **Hilti**-huoltoon.

Häiriö	Mahdollinen syy	Ratkaisu
Tuotetta ei saa kytkettyä päälle.	Akku tyhjentynyt.	▶ Vaihda akku ja lataa tyhjentynyt akku.
Akku tyhjenee tavallista nopeammin.	Erittäin alhainen ympäristön lämpötila.	▶ Anna akun hitaasti lämmitä huoneenlämpötilaan.
Akku ei lukitu paikalleen selvästi naksauttaen.	Akun salpanokka likaantunut.	▶ Puhdista salpanokka ja kiinnitä akku uudelleen paikalleen.
Kulmahiomakone tai akku kuumenee voimakkaasti.	Sähköinen vika	▶ Kytke tuote heti pois päältä, irrota akku, valvo akkua, anna sen jäähtyä ja ota yhteys Hilti -huoltoon.
	Jäähdytysilmaraot tukkeutuneet	▶ Puhdista jäähdytysilmaraot säännöllisesti.
Ei moottorin jarrutustoimintoa.	Akku tyhjentynyt.	▶ Vaihda akku ja lataa tyhjentynyt akku.



Häiriö	Mahdollinen syy	Ratkaisu
Ei moottorin jarrustustoimintoa.	Tuote on hetkellisesti ylikuormittunut.	► Kytke tuote pois päältä ja takaisin päälle.

11 Hävittäminen

VAARA

Määräystenvastaisten hävittäminen aiheuttaa loukkaantumisvaaran! Ulos vuotavat kaasut tai nesteet vaarantavat terveyden.

- Älä lähetä vaurioituneita akkuja!
- Peitä liitännät sähköä johtamattomalla materiaaalilla oikosulkujen välttämiseksi.
- Hävitä akut siten, etteivät ne voi joutua lasten käsiin.
- Hävitä akku viemällä se **Hilti Store** -liikkeeseen tai käänny vastuullisen jätteenkäsittely-yrityksen puoleen.

Hilti-tuotteet on pääosin valmistettu kierrätyskelpoisista materiaaleista. Kierrätyksen edellytys on materiaalien asianmukainen lajittelu. Useissa maissa **Hilti** ottaa vanhat koneet ja laitteet vastaan kierrätystä ja hävitystä varten. Lisätietoja saat **Hilti**-huollosta tai -edustajalta.



- Älä hävitä sähkötyökaluja, elektronisia laitteita ja akkuja tavallisen sekajätteen mukana!

12 Valmistajan myöntämä takuu

- Jos sinulla on takuehtoihin liittyviä kysymyksiä, ota yhteys paikalliseen **Hilti**-edustajaan.

13 Lisätietoja

Lisätietoja käytöstä, teknikasta, ympäristöstä ja kierrätyksestä saat seuraavan linkin kautta: qr.hilti.com/manual/?id=2252233&id=2252235&id=2251374

Sama linkki on myös QR-koodina dokumentaation lopussa.

Originaalkasutusjuhend

1 Andmed kasutusjuhendi kohta

1.1 Käesoleva käsitsemisjuhendi kohta

- **Hoiatus!** Enne toote kasutamist veenduge, et olete tootele lisatud kasutusjuhendi, sealhulgas juhised, ohutus- ja hoiatusviited, joonised ja spetsifikatsioonid, läbi lugenud ja sellest aru saanud. Tutvuge eriti kõigi juhiste, ohutus- ja hoiatusviidete, jooniste, spetsifikatsioonide ning komponentide ja funktsioonidega. Selle eiramisel esineb elektrilöögi, tulekahju ja/või raskete vigastuste oht. Hoidke kasutusjuhend koos kõigi juhiste, ohutus- ja hoiatusviidetega hilisemaks kasutamiseks alles.
- tooted on ette nähtud professionaalsele kasutajale ja neid tohivad käsitseda, hooldada ja korras hoida ainult volitatud ja asjaomase väljaõppega isikud. Nimetatud personal peab olema teadlik kõikidest kaasnevatest ohtudest. Seade ja sellega ühendatavad abivahendid võivad osutada ohtlikuks, kui neid ei kasutata nõuetekohaselt või kui nendega töötab vastava väljaõppeta isik.
- Lisatud kasutusjuhend vastab tehnika käesolevale tasemele trükki andmise ajal. Uusima versiooni leiata alati veebist Hilti toote leheküljelt. Järgige selleks sümboliga tähistatud linki või QR-koodi käesolevas kasutusjuhendis.
- Andke toode teistele edasi ainult koos käesoleva kasutusjuhendiga!

1.2 Märkide selgitus

1.2.1 Hoiatused

Hoiatused annavad märku toote kasutamisel tekkivatest ohtudest. Kasutatakse järgmisi märksõnu:



⚠ OHT

OHT !

- ▶ Võimalikud ohtlikud olukorrad, mis võivad põhjustada kasutaja raskeid kehavigastusi või hukkumist.

⚠ HOIATUS

HOIATUS !

- ▶ Võimalik ohtlik olukord, mis võib põhjustada kasutaja raskeid kehavigastusi või hukkumist.

⚠ ETTEVAATUST

ETTEVAATUST !

- ▶ Võimalikud ohtlikud olukorrad, mis võivad põhjustada kehavigastusi või varalist kahju.

1.2.2 Sümbolid kasutusjuhendis

Käesolevas kasutusjuhendis kasutatakse järgmisi sümboleid:

	Järgige kasutusjuhendit
	Soovitused seadme kasutamiseks ja muu kasulik teave
	Taaskasutatavate materjalide käsitlemine
	Elektrilisi tööriistu ja akusid ei tohi visata olmejäätmete hulka
	Hilti Li-Ion-aku
	Hilti Laadimisseade

1.2.3 Joonistel kasutatud sümbolid

Joonistel kasutatakse järgmisi sümboleid.

	Numbrid viitavad vastavatele joonistele kasutusjuhendi juhendi alguses.
	Numeratsioon kajastab töötappide järjekorda pildi kujul ja võib tekstis kirjeldatud töötappidest kõrvale kalduda.
	Positsiooninumbreid kasutatakse joonisel Ülevaade ja need viitavad selgituste numbritele lõigus Toote ülevaade .
	See märk näitab, et toote käsitlemisel tuleb olla eriti tähelepanelik.

1.3 Tootepõhised sümbolid

1.3.1 Sümbolid tootel

Tootel võib kasutada järgmisi sümboleid:

	Kasutage kaitseprille
n_0	Tühikäigu pöörlemissagedus
/min	Pööret minutis
RPM	Pööret minutis
\emptyset	Läbimõõt
---	Alalisvool
	Lõiketööde tegemisel ärge kasutage standardkatet.



	Töötage alati kahe käega.
	Toode toetab NFC-tehnoloogiat, mis ühildub iOS- ja Android-platvormidega.
Li-Ion	Liitumioonaku
	Ärge kasutage akut kunagi lõõgiriistana.
	Ärge laske akul kunagi maha kukkuda. Ärge kasutage akut, mis on saanud löögi või on muul moel kahjustatud.

1.4 Tooteinfo

tooted on ette nähtud professionaalsele kasutajale ja neid tohivad käsitseda, hooldada ja korras hoida ainult volitatud ja asjaomase väljaõppega isikud. Nimetatud personal peab olema teadlik kõikidest kaasnevatest ohtudest. Seade ja sellega ühendatavad abivahendid võivad osutada ohtlikuks, kui neid ei kasutata nõuetekohaselt või kui nendega töötab vastava väljaõppeta isik.

Tüübitähis ja seerianumber on tüübisildil.

- ▶ Kandke seerianumber järgmise tabelisse. Andmeid toote kohta vajate meie esindusele või hooldekeskusele päringute esitamisel.

Tooteinfo

Akunurklühvmasin	AG 4S-22-125
Pölvkond	02
Seerianumber	

1.5 Vastavusdeklaratsioon

Seadme tootja kinnitab ainuvastutajana, et käesolevas kasutusjuhendis kirjeldatud seade vastab kehtivate õigusaktide nõuetele ja kehtivatele standarditele. Vastavusdeklaratsiooni koopia leiате käesoleva kasutusjuhendi lõpust.

Tehnilised dokumendid on saadaval:

Hilti Entwicklungsgesellschaft mbH | Zulassung Geräte | Hiltistraße 6 | 86916 Kaufering, DE

2 Ohutus

2.1 Üldised ohutusnõuded elektriliste tööriistade kasutamisel

HOIATUS! Lugege kõiki selle elektrilise tööriista juurde kuuluvaid ohutusjuhiseid, nõuandeid, jooniseid ja tehnilisi andmeid! Järgmiste juhiste eiramise tagajärg võib olla elektrilöökk, tulekahju ja/või rasked vigastused.

Hoidke kõik ohutusnõuded ja juhised edaspidiseks kasutamiseks alles.

Ohutusjuhistes kasutatud mõiste "elektriline tööriist" käib võrgutoitega (toitejuhtmega) elektriliste tööriistade või akutoitega (toitejuhtmeta) elektriliste tööriistade kohta.

Ohutus töökohal

- ▶ **Hoidke oma töökoht puhas ja valgustage seda korralikult.** Korrastamata ja valgustamata töökoht võib põhjustada õnnetusi.
- ▶ **Ärge kasutage elektrilist tööriista plahvatusohtlikus keskkonnas, kus leidub tuleohtlikke vedelikke, gaase või tolmu.** Elektrilistest tööriistadest lööb sädemeid, mis võivad tolmu või auru süüdata.
- ▶ **Hoidke lapsed ja kõik teised töökohast eemal, kui kasutate elektrilist tööriista!** Kui teie tähelepanu juhitakse kõrvale, võib seade teie kontrolli alt väljuda.

Elektriohutis

- ▶ **Elektrilise tööriista pistik peab sobima pistikupesaga. Pistiku juures ei tohi teha mingeid muudatusi. Kaitsemaandusega seadmete puhul ei tohi kasutada adapterpistikuid.** Muutmata pistikud ja sobivad pistikupesad vähendavad elektrilöögiohtu.
- ▶ **Vältige keha kontakti maandatud pindadega (nt toru, radiaator, pliit, külmik).** Kui teie keha on maandatud, on elektrilöögi oht suurem.
- ▶ **Kaitske elektrilist tööriista vihma ja niiskuse eest.** Kui elektrilise tööriista sisemusse satub vett, suurendab see elektrilöögiohtu.



- ▶ **Ärge kasutage ühenduskaablit elektrilise tööriista kandmiseks, riputamiseks ega pistiku stepslist väljatõmbamiseks!** Hoidke ühenduskaablit eemal kuumusest, õlidest, teravatest servadest ja liikuvatest osadest. Kahjustatud või keerds ühenduskaablid suurendavad elektrilöögiohtu.
- ▶ **Kui töotate elektrilise tööriistaga vabas õhus, kasutage ainult selliseid pikendusjuhtmeid, mida tohib kasutada ka välitingimustes.** Välitingimustes sobiva pikendusjuhtme kasutamine vähendab elektrilöögiohtu.
- ▶ **Kui seadmega töötamine niiskes keskkonnas on vältimatu, kasutage rikkevoolu kaitselülitiit.** Rikkevoolu kaitselülitiit kasutamine vähendab elektrilöögiohtu.

Inimeste ohutus

- ▶ **Olge tähelepanelik, jälgige, mida teete, ja toimige elektrilise tööriistaga töötades kaalutletult. Ärge töötage elektrilise tööriistaga, kui olete väsinud või alkoholi, narkootikumide või ravimite mõju all!** Hetkeline tähelepanematus elektrilise tööriista kasutamisel võib põhjustada raskeid kehavigastusi ja varalist kahju.
- ▶ **Kandke isiklikke kaitsevahendeid ja alati kaitseprille.** Isiklike kaitsevahendite, nt tolmu maski, libisemiskindlate turvajalatsite, kaitsekiivri või kuulmiskaitsevahendite kandmine (sõltuvalt elektrilise tööriista tüübist ja kasutusalasest) vähendab vigastusohtu.
- ▶ **Vältige elektrilise tööriista soovimatut käivitamist!** Enne elektrilise tööriista ühendamist vooluvõrku ja/või elektrilise tööriista aku paigaldamist, tööriista ülestõstmist ja kandmist veenduge, et elektriline tööriist on välja lülitatud! Kui hoiate elektrilise tööriista kandmisel sõrme lülitiil või ühendate vooluvõrku sisselülitatud tööriista, võib juhtuda õnnetus.
- ▶ **Enne elektrilise tööriista sisselülitamist eemaldage selle küljest seade- ja mutrivõtmed.** Elektrilise tööriista pöörleva osa küljes olev seade- või mutrivõti võib põhjustada vigastusi.
- ▶ **Vältige ebatavalist tööasendit! Võtke stabiilne tööasend ja säilitage alati tasakaal.** Nii saate elektrilist tööriista ootamatutes olukordades paremini kontrollida.
- ▶ **Kandke sobivat rõivastust. Ärge kandke laiu riideid ega ehteid!** Hoidke juuksed, rõivad ja kindad seadme liikuvatest osadest eemal. Lotendavad riided, ehted ja pikad juuksed võivad sattuda seadme liikuvate osade vahele.
- ▶ **Kui elektrilise tööriista külge on võimalik paigaldada tolmuemaldus- ja kogumisseadiseid, veenduge, et need on tööriistaga ühendatud ja et need kasutatakse nõuetekohaselt.** Tolmuemaldusseadise kasutamine võib vähendada tolmu taset ning ohu ohtu.
- ▶ **Ärge laske tekkida petlikul turvatundel ega eirake elektrilise tööriista ohutusreegleid isegi siis, kui olete pärast paljukordset kasutamist elektrilise tööriistaga harjunud.** Tähelepanematu käsitsemine võib sekundi murdosa jooksul kaasa tuua raskeid vigastusi.

Elektrilise tööriista kasutamine ja käsitsemine

- ▶ **Ärge koormake seadet üle!** Kasutage konkreetseks tööks sobivat elektrilist tööriista. See töötab ettenähtud jõudluspiirides tõhusamalt ja ohutumalt.
- ▶ **Ärge kasutage elektrilist tööriista, mille lüliti on rikkis!** Elektriline tööriist, mida ei saa enam lülitiit korralikult sisse ja välja lülitada, on ohtlik ning tuleb viia parandusse.
- ▶ **Tõmmake enne seadme mis tahes seadetõid, tarvikute vahetamist ja seadme hoieüpanekut pistik pistikupesast välja ja/või eemaldage äravõetav aku.** See ettevaatusabinõu hoiab ära seadme soovimatu käivitumise.
- ▶ **Kasutusvälisel ajal hoidke elektrilist tööriista lastele kättesaamatus kohas. Ärge laske seadet kasutada isikutel, kes seadme tööpõhimõtet ei tunne või ei ole lugenud käesolevaid kasutusjuhendeid.** Asjatundmatute isikute käes on elektrilised tööriistad ohtlikud.
- ▶ **Hooldage elektrilisi tööriistu ja tarvikuid korralikult. Kontrollige, kas liikuvad osad töötavad veatult ega kiilu kiini.** Veenduge, et seadme osad ei ole murdunud või kahjustatud määral, mis mõjutab seadme töökindlust. Laske kahjustatud osad enne seadme kasutamist parandada. Ebapiisavalt hooldatud elektrilised tööriistad põhjustavad õnnetusi.
- ▶ **Hoidke lõiketarvikud teravad ja puhtad.** Hästi hooldatud, teravate lõikeservadega lõiketarvikud kiiluvad harvemini kinni ja neid on lihtsam juhtida.
- ▶ **Kasutage elektrilist tööriista, tarvikuid ja lisatarvikuid vastavalt nende juhiste.** Arvestage seejuures töötingimuste ja tehtava töö iseloomuga. Elektrilise tööriista kasutamine otstarbel, milleks see ei ole ette nähtud, võib põhjustada ohtlikke olukordi.
- ▶ **Käepidemed ja haardepinnad peavad olema kuivad, puhtad ning vabad õlist ja rasvast.** Libedad käepidemed ja haardepinnad ei võimalda elektrilist tööriista ootamatutes olukordades kindlalt käitseda ega kontrollida.

Akuga tööriista kasutamine ja käsitsemine

- ▶ **Laadige akusid ainult tootja soovitatud laadimisseadmega.** Kui teatud tüüpi aku laadimiseks ettenähtud laadimisseadet kasutatakse teist tüüpi akude laadimiseks, tekib tulekahjuoht.



- ▶ **Kasutage elektrilistes tööriistades ainult ettenähtud akusid.** Teist tüüpi akude kasutamine võib põhjustada vigastus- ja põlenguohtu.
- ▶ **Hoidke akud kasutusvälisel ajal eemal kirjaklambritest, müntidest, võtmetest, naeltest, kruvidest ja teistest väikestest metallesemetest, mis võivad aku kontaktid omavahel ühendada.** Aku kontaktide vahel tekkinud lühis võib põhjustada põletuse või tulekahju.
- ▶ **Väärkasutuse korral võib akuvedelik akust välja voolata. Vältige sellega kokkupuudet. Juhusliku kokkupuute korral loputage kahjustatud kohta veega. Kui vedelik satub silma, otsige ka arstiabi.** Väljavoolav akuvedelik võib põhjustada nahaärritust või põletust.
- ▶ **Ärge kasutage kahjustatud ega modifitseeritud akut!** Kahjustatud või modifitseeritud akud võivad käituda ettenägematult ja põhjustada tulekahju, plahvatuse või vigastusohtu.
- ▶ **Ärge laske akul kokku puutuda tule ega liiga kõrge temperatuuriga!** Tuli või temperatuur üle 130 °C (265 °F) võivad tekitada plahvatuse.
- ▶ **Järgige kõiki laadimisjuhiseid ja ärge kunagi laadige akut ega akutööriista väljaspool kasutusjuhendis näidatud temperatuurivahemikku.** Väär laadimine või laadimine väljaspool lubatud temperatuurivahemikku võib kahjustada akut ja suurendada tuleohtu.

Hooldus

- ▶ **Laske elektrilist tööriista parandada ainult kvalifitseeritud spetsialistidel, kes kasutavad originaalvaruosi.** Nii on tagatud elektrilise tööriista ohutu töö.
- ▶ **Ärge hooldage kahjustatud akut!** Akut võib hooldada ainult tootja või volitatud klienditeenindus.

2.2 Ohutusnõuded kõikide tööde puhul

Ühised ohutusnõuded lihvimisel, liivapaberiga lihvimisel, traatharjadega töötlemisel, poleerimisel ja lõikamisel:

- ▶ **Elektriline tööriist on ette nähtud kasutamiseks lihvmasinana, liivapaberiga lihvijana, traatharjana, poleerijana, augusaena ja ketaslõikurina.** Järgige kõiki seadmega kaasasolevaid ohutusnõudeid, juhiseid, kirjeldusi ja andmeid. Järgnevate juhiste eiramise tagajärjeks võib olla elektrilöökk, tulekahju ja/või rasked vigastused.
- ▶ **Ärge modifitseerige elektrilist tööriista nii, et see töötab viisil, mida ei ole tootja ette näinud.** Sellise modifitseerimise tagajärjel võite kaotada kontrolli tööriista üle, mis võib põhjustada raskeid kehavigastusi.
- ▶ **Ärge kasutage lisatarvikuid, mida tootja ei ole spetsiaalselt selle seadme jaoks välja töötanud ega ette näinud.** Asjaolu, et lisatarvikut saab seadme külge kinnitada, ei taga veel ohutut tööd.
- ▶ **Tarviku lubatud pöörete arv peab olema vähemalt sama suur nagu seadmel toodud maksimaalne pöörlemiskiirus.** Lubatust kiiremini pöörlev tarkiv võib puruneda ja selle tükid võivad laiali paiskuda.
- ▶ **Tarviku välisläbimõõt ja paksus peavad olema vastavuses seadme mõõtmetega.** Valede mõõtmetega tarkivikud ei kata kettakaitse piisaval määral ning need võivad väljuda Teie kontrolli alt.
- ▶ **Keermestatud tarkivikud peavad spindli keermega täpselt sobima. Flantsi abil monteeritavate tarkivite puhul peab tarkiviku siseava läbimõõt vastama seibi läbimõõdule.** Tarkivikud, mis ei ole tööriista küljes kindlalt kinni, pöörlevad ebaühtlaselt, vibreerivad tugevalt ja võivad kaasa tuua kontrolli kaotuse.
- ▶ **Ärge kasutage kahjustatud tarkivikuid.** Iga kord enne kasutamist kontrollige tarkivikuid, näiteks lihvketaid pragude, lihvaldude pragude või kulumise, traatharju lahtiste või murdunud traatide suhtes. Kui seade või tarkiv kukub maha, kontrollige seda vigastuste suhtes ja vajaduse korral võtke kasutusele vigastamata tarkiv. Pärast tarkiviku kontrollimist ja paigaldamist laske seadmel töötada ühe minuti jooksul maksimaalsetel pööretel. Seejuures veenduge, et ei Teie ega läheduses viibivad inimesed ei asu pöörleva tarkivikuga ühel joonel. Nimetatud katseaja jooksul vigastatud tarkivikud üldjuhul murduvad.
- ▶ **Kasutage isikukaitsevahendeid.** Kandke vastavalt töö iseloomule näokaitsemaski, silmade kaitsemaski või kaitseprille. Vajaduse korral kandke tolmukaitsemaski, kuulmiskaitsevahendeid, kaitsekindaid või kaitsepõlle, mis püüab kinni lihvimisel eralduvad väiksemad materjaliosakesed. Silmad peavad olema kaitstud erinevatel töödel eralduvate ja eemalpaiskuvate vöörkehade eest. Tolmu- ja hingamisteede kaitsemask peab filtreerima töötamisel tekkiva tolmu. Pikaajaline vali müra võib kahjustada kuulmist.
- ▶ **Veenduge, et teised inimesed viibivad tööpiirkonnast ohutul kaugusel. Kõik tööpiirkonda sisenevad inimesed peavad kandma isikukaitsevahendeid.** Töödeldava tooriku või murdunud tarkiviku osakesed võivad eemale paiskuda ja põhjustada vigastusi ka väljaspool vahetatud tööpiirkonda.
- ▶ **Kui teete töid, mille puhul võib tarkiv tabada varjatud elektrijuhtmeid, hoidke elektrilist tööriista isoleeritud haardepinnast.** Kokkupuude pingestatud elektrijuhtmega võib seada pinge alla ka elektrilise tööriista metalldetailid ja põhjustada elektrilöögi.



- ▶ **Ärge pange seadet kunagi käest enne, kui tarvik on täielikult seiskunud.** Pöörlev tarvik võib pinnaga kokku puutuda, mille tagajärjel võib seade Teie kontrolli alt väljuda.
- ▶ **Seadme kandmise ajal ei tohi seade töötada.** Pöörlev tarvik võib Teie riietega juhuslikult kokku puutuda ja Teid vigastada.
- ▶ **Puhastage seadme ventilatsiooniasiad regulaarselt.** Mootori jahutusventilaator tõmbab tolmu korpusesse ning kuhjunud metallitolm võib põhjustada elektrilisi ohte.
- ▶ **Ärge kasutage seadet süttivate materjalide läheduses.** Sädemed võivad need materjalid süüdata.
- ▶ **Ärge kasutage tarvikuid, mille jahutamiseks on ette nähtud jahutusvedelikud.** Vee või teiste jahutusvedelike kasutamine võib põhjustada elektrilöögi.

Tagasilöökk ja asjaomased ohutusnõuded

Tagasilöökk on kinnikiilunud tarviku, näiteks lihvketta, lihvtaalla, traatharja jmt tõttu tekkinud äkiline reaktsioon. Kinnikiilumine põhjustab pöörleva tarviku järsu seiskumise. Selle toimel liigub kontrolli alt väljunud seade tarviku pöörlemissuunale vastupidises suunas.

Kui näiteks lihvketas toorikus kinni kiilub, võib lihvketta serv toorikusse kinni jääda, mille tagajärjel võib lihvketas murduda või põhjustada tagasilöögi. Lihvketas liigub siis sõltuvalt ketta pöörlemissuunast kas seadme kasutaja poole või temast eemale. Lihvketad võivad seejuures ka murduda.

Tagasilöökk on seadme vale kasutuse või puudulike töövõtete tagajärg. Seda saab järgnevalt kirjeldatud sobivate ettevaatusabinõude rakendamisega ära hoida.

- ▶ **Hoidke elektrilist tööriista kahe käega tugevasti kinni ja viige oma keha ja käed asendisse, milles saate tagasilöögjõududele vastu astuda.** Kasutage alati lisakäepidet, kui see on olemas, et tagasilöögjõudu või reaktsioonimomenti seadme ülespaikumisel maksimaalselt kontrolli all hoida. Sobivate ettevaatusabinõude rakendamisega suudab seadme kasutaja tagasilöögi- ja reaktsioonijõudu kontrollida.
- ▶ **Ärge asetage oma kätt pöörlevate tarvikute lähedusse.** Tarvik võib tagasilöögi puhul liikuda üle Teie käe.
- ▶ **Hoidke oma keha eemal piirkonnast, kuhu seade tagasilöögi puhul liigub.** Tagasilöökk viib seadme lihvketta pöörlemissuunale vastupidises suunas.
- ▶ **Töötage eriti ettevaatlikult nurkades, teravate servade piirkonnas jm. Vältige tarvikute tagasi-pörkimist toorikut ja tarvikute kinnikiilumist.** Pöörlev tarvik kaldub nurkades, teravate servade piirkonnas ja toorikul tagasi-pörkimise korral kinni kiiluma. See põhjustab kontrolli kaotuse seadme üle ja tagasilöögi.
- ▶ **Ärge kasutage kettsaagi ega hammastusega saeketast või segmentidega teemantketast, milles on rohkem kui 10 mm laiused avad.** Sellised tarvikud põhjustavad tihti tagasilöögi või kontrolli kaotuse seadme üle.

Ohutuse erinõuded lihvimisel ja lõikamisel:

- ▶ **Kasutage üksnes seadme jaoks ette nähtud lihvketast ja selle ketta jaoks ette nähtud kettakaitset.** Lihvkettaid, mis ei ole seadme jaoks ette nähtud, katab kettakaitse ebapiisavalt ja need on seetõttu ohtlikud.
- ▶ **Kõverdatud lihvketad tuleb paigaldada nii, et nende lihvimispiind ei ulatu üle kettakaitse serva.** Valesti paigaldatud lihvketast, mis ulatub üle kettakaitse serva, ei katta kettakaitse piisavalt.
- ▶ **Kettakaitse peab olema elektrilise tööriista külge kindlalt kinnitatud ja olema maksimaalse turvalisuse tagamiseks seatud nii, et kasutaja poole jääb katmata lihvimistarvikust võimalikult väike osa.** Kettakaitse aitab kasutajat kaitsta murdunud osakeste, lihvkettaga juhusliku kokkupuute ja sädemete eest.
- ▶ **Lihvkettaid tohib kasutada vaid ettenähtud otstarbel.** Näiteks ärge kunagi kasutage lõikeketta külgpinda lihvimiseks. Lõikeketad on ette nähtud materjali lõikamiseks ketta servaga. Külgsuunas rakendatava jõu mõjul võib lõikeketas puruneda.
- ▶ **Välitud lihvketta jaoks kasutage alati vigastamata ja õige suuruse ning kujuga kinnitusseibi.** Sobivad seibid kaitsevad lihvketast ja vähendavad lihvketta purunemise ohtu. Lõikeketaste seibid võivad lihvketaste seibidest erineda.
- ▶ **Ärge kasutage suuremate seadmete kulunud lihvkettaid.** Suuremate seadmete lihvketad ei ole kohandatud väiksemate seadmete suurema pöörlemiskiirusega ja võivad puruneda.
- ▶ **Kasutage alati vastavaks otstarbeks ette nähtud kettakaitset, kui töötate kaks korda kaustatava lihvimistarvikuga.** Vale kettakaitse kasutamine ei taga piisavat kaitset, mille tagajärjel võivad tekkida rasked vigastused.

Ohutuse täiendavad erinõuded lõikamisel:

- ▶ **Vältige lõikeketta kinnikiilumist ja liiga suurt avaldatavat survet.** Ärge tehke liiga sügavaid lõikeid. Liigse surve avaldamine lõikekettale suurendab ketta koormust ja kinnikiilumisohtu ning sellega ka tagasilöögi või ketta purunemise võimalust.



- ▶ **Vältige pöörleva löikeketta ette ja taha jäävat piirkonda.** Kui suunate löikeketast toorikus endast eemale, võib tagasilöögi korral seade koos pöörleva kettaga otse Teie suunas paiskuda.
- ▶ **Kui löikeketas kinni kiilub või kui Te töö katkestate, lülitage seade välja ja hoidke seda paigal seni, kuni ketas on täielikult seiskunud.** Ärge püüdke veel pöörlevat löikeketast löikejoonest välja tõmmata, vastasel juhul võib tekkida tagasilöökk. Tehke kindlaks ja kõrvaldage kinnikiilumise põhjus.
- ▶ **Ärge lülitage seadet sisse, kui see on veel toorikus. Laske löikekettal kõigepealt saavutada maksimaalne pöörlemiskiirus ja jätkake seejärel löiget ettevaatlikult.** Vastasel korral võib ketas kinni kiiluda, toorikust välja hüpata või tagasilöögi põhjustada.
- ▶ **Plaadid ja suured toorikud toestage, et vältida kinnikiilunud löikekettast põhjustatud tagasilöögi ohtu.** Suured toorikud kalduvad omaenda raskuse mõjul läbi painduma. Toorik peab olema toestatud mõlemalt küljelt ja nii löikejoone lähedalt kui ka servast.
- ▶ **Olge eriti ettevaatlik uputuslõigete tegemisel seintesse või teistesse varjatud kohtadesse.** Uputatav löikeketas võib gaasi- või veetorude, elektrijuhtmete või teiste objektide tabamisel põhjustada tagasilöögi.
- ▶ **Ärge üritage teha figuurilõikeid.** Liigse surve avaldamine löikekettale suurendab ketta koormust ja kinnikiilumisohtu ning sellega ka tagasilöögi või ketta purunemise võimalust, mille tagajärjel võivad tekkida rasked vigastused.

Ohutuse täiendavad erinõuded liivapaberiga lihvimisel:

- ▶ **Kasutage üksnes sobivas suuruses lihvpabereid. Järgige tootja juhiseid lihvpaberi suuruse kohta.** Üle lihtvalla serva ulatuvad lihvpaberid võivad tekitada vigastusi ning tuua kaasa lihvpaberi kinnikiilumise, rebenemise või seadme tagasilöögi.

Ohutuse täiendavad erinõuded poleerimisel:

- ▶ **Veenduge, et poleerkettal ei oleks lahtisi osi, eeskätt kinnitusnõore. Lõigake kinnitusnõõrid lühemaks või pange need kinni.** Lahtised kaasapöörlevad kinnitusnõõrid võivad jääda Teie sõrmede taha või tooriku külge.

Ohutuse erinõuded traatharjadega töötamisel:

- ▶ **Pidage meeles, et traatharjast eraldub traaditükke ka tavalise kasutamise korral. Ärge avaldage traatharjale liigset survet.** Traadid võivad tungida kergesti läbi õhukeste riiete ja tekitada vigastusi.
- ▶ **Kui on ette nähtud kasutada kettakaitset, vältige kettakaitse ja traatharja kokkupuudet.** Taldrik- ja kaussharjade läbimõõt võib avaldatava surve ja tsentrifugaaljõudude toimel väheneda.

2.3 Täiendavad ohutusnõuded

Isikuohutus

- ▶ Kasutage seadet ja tarvikuid ainult siis, kui nende tehniline seisukord on veatu.
- ▶ Seadet ei tohi mingil viisil muuta ega ümber ehitada.
- ▶ Hoidke seadet ettenähtud käepidemetest alati mõlema käega. Käepidemed peavad olema kuivad, puhtad, õli- ja rasvavabad.
- ▶ Kui kasutada seadet ilma tolmuimejata, tuleb tolmu tekitaval tel töödel kasutada kergest respiraatorit.
- ▶ Tehke tihti pause ja sirutage sõrmi, et parandada verevarustust. Pikaajalisel töötamisel võib tugev vibratsioon tekitada häireid sõrmede, käte või randmete vereringes ja närvisüsteemis.
- ▶ Vältige kokkupuudet seadme pöörlevate osadega, eelkõige pöörlevate otsakutega, võib põhjustada vigastusi.
- ▶ Enne käestpanekut oodake, kuni tööriist on täielikult seiskunud.
- ▶ Seade ei ole ette nähtud kasutamiseks füüsilisel nõrkadele, väljaõppeta inimestele. Hoidke seadet lastele kättesaamatus kohas.
- ▶ Lihvimisel, lõikamisel ja puurimisel tekkiv tolmu võib sisaldada ohtlikke kemikaale. Mõned näited: plii või pliipõhised värvid; tellis, betoon ja muu müüritis, looduskivi ja teised silikaati sisaldavad tooted; teatud tüüpi puit, näiteks tamm, pöök ja keemiliselt töödeldud puit; asbest või asbesti sisaldavad materjalid. Lähtuvalt töödeldavate materjalide ohuklassist, määrake kindlaks kasutaja ja teiste läheduses viibivate isikute ohutase. Ohutuse tagamiseks võtke tarvitusele vajalikud meetmed, nt kasutage tolmu kogumissüsteemi või kandke sobivat hingamisteede kaitsevahendit. Kokkupuute vähendamise üldiste meetmete hulka kuuluvad:
 - ▶ töötamine hästi ventileeritud alas,
 - ▶ tolmu pikaajalise kokkupuute vältimine,
 - ▶ tolmu näost ja kehast eemalejuhtimine,
 - ▶ kaitserõivaste kandmine ja kokkupuutealade pesemine vee ja seebiga.
- ▶ Kasutaja ja läheduses viibivad isikud peavad seadme kasutamise ajal kandma sobivaid kaitseprille, kaitsekiivrit ja kuulmiskaitsevahendeid.
- ▶ Kandke tarviku vahetamisel kaitsekindaid. Tarviku katsumine võib põhjustada löikehaavu ja põletusi.



- ▶ Allakukkuvatest tarvikutest või lisaseadistest tingitud vigastuste oht. Enne töö algust veenduge, et aku ja tarvikud on kindlalt kinnitatud.
- ▶ Hoidke ventilatsioonivad alati vabad. Kinni kaetud ventilatsioonivadest tingitud põletusohu!
- ▶ Lülitage seade sisse alles siis, kui see on viidud tööasendisse.
- ▶ Enne käestpanekut oodake, kuni tööriist on täielikult seiskunud.
- ▶ Kui seade tuvastab, et piirvõimsus on ületatud või aku on tühi, võib ette tulla, et mootor ei seiska tarvikut.
- ▶ Ärge kinnitage toote külge karabiinikonksu.

Elektritööriistade sihipärane käsitlemine ja kasutamine

- ▶ Lihvketaid tuleb hoida ja käsitleda hoolikalt ning tootja juhiste kohaselt.
- ▶ Ärge kasutage seadet kunagi ilma kettakaitseta.
- ▶ Kinnitage toorik. Kasutage tooriku kinnitamiseks kinnitusvahendeid või kruustange. Nii püsib toorik kindlamini paigal kui käega hoides. Lisaks sellele saab seadet juhtida mõlema käega.
- ▶ Ärge kasutage lihvimiseks lõikeketaid.
- ▶ Keerake tarvik ja flants tugevasti kinni. Kui tarvikut ja flantsi ei ole kõvasti kinni keeratud, võib otsak mootori seiskamisel spindli küljest lahti tulla.

Elektriõhutus

- ▶ Veenduge enne töö alustamist, et tööalal ei ole varjatud elektri kaableid ega gaasi- ja veetorusid. Seadme välised metallosad võivad põhjustada plahvatust või elektrilööki, kui vigastate tahtmatult elektrijuhtet, gaasi- või veetoru.
- ▶ Kui töötlete elektrijuhtivusega materjale sageli, siis laske määratud seadmele teha regulaarset tehno-kontrolli **Hilti** teeninduses. Seadme pinnale kinnitunud tolm või niiskus võib ebasoodsatel tingimustel tekitada elektrilööki, seda just hea elektrijuhtivusega materjalide puhul.

Töökoht

- ▶ Läbistustööde korral eraldage ohutuspiiretega ka tööala taha jääv ala. Toorikust eraldatavad detailid võivad välja ja/või maha kukkuda ja kõrvalseisjaid vigastada.
- ▶ Praod kandvates seintes ja teistes konstruktsioonides võivad avaldada mõju staatikale, eriti armatuurraua või kandelementide lõikamisel. Enne töö alustamist konsulteerige pädeva staatikaspetsialisti, arhitekti või töödejuhatajaga.

Täiendavad juhised kettakaitse kasutamiseks

Järgmiste ohtude vältimiseks kasutage alati õiget kettakaitset, vt peatükki: "Ketaste liigitus kasutatud varustuse järgi!"

- ▶ Standardse kettakaitse koos eesmise kattega tasapinnaliseks lihvimiseks kasutamisel võib kettakaitse puutuda vastu toorikut ja põhjustada seeläbi kontrolli kaotamise seadme üle.
- ▶ Maksimaalset lubatud paksust ületava paksusega traatharja kasutamisel võivad traadid takerduda kettakaitsemesse ja puruneda.
- ▶ Standardse kettakaitse kasutamisel metalli lõikamiseks abrasiivsete lõikeketastega esineb kõrgem oht puutuda kokku sädemete ja osakestega ning ketta purunemise korral ketta kildudega.
- ▶ Standardse kettakaitse betooni või müüritise lõikamiseks ja lihvimiseks kasutamisel ilma eesmise katteta esineb suurem kokkupuude tolmuga ning suurem oht kaotada kontroll toote üle, mis võib põhjustada tagasilööke.

2.4 Akude hoolikas käsitlemine ja kasutamine

- ▶ **Järgige liitiumioonakude ohutu käsitlemise ja kasutamise kohta esitatud juhiseid.** Eiramine võib tekitada nahaärrituse, söövituse, keemilise põletuse, tulekahju ja/või põhjustada plahvatuse.
- ▶ Kasutage akusid ainult siis, kui nende tehniline seisukord on veatu.
- ▶ Käsitlege akusid ettevaatlikult, et vältida kahjustusi ja tervist kahjustavate vedelike lekkimist!
- ▶ Akusid ei tohi mingil juhul muuta ega ümber ehitada!
- ▶ Akusid ei tohi lahti võtta, muljuda, kuumutada üle 80 °C (176 °F) ega ära põletada.
- ▶ Ärge kasutage ega laadige akusid, mis on saanud löögi või muul viisil kahjustada. Kontrollige regulaarselt akusid kahjustuste suhtes.
- ▶ Ärge kasutage kunagi ringlusse võetud või remonditud akusid.
- ▶ Ärge kunagi kasutage akut või akutoitega elektritööriista löögitarvikuna.
- ▶ Ärge jätke akut kunagi otsese päikesekiirguse, kuumuse, sädemete või lahtise leegi kätte. See võib põhjustada plahvatuse.
- ▶ Ärge puudutage aku poolseid sõrmede, tööriistade, ehete või muude metallesemetega. See võib akut kahjustada, samuti tekitada varalist kahju ja kehavigastusi.



- ▶ Hoidke akusid eemal vihmast, niiskusest ja vedelikest. Sissetungiv niiskus võib põhjustada lühist, elektrilööki, põletust, tulekahju ja plahvatust.
- ▶ Kasutage üksnes aku tüübile vastavaid laadijaid ja elektritööriistu. Juhinduge asjaomastes kasutusjuhendites esitatud andmetest.
- ▶ Ärge kasutage ega hoiustage akut plahvatusohtlikus keskkonnas.
- ▶ Kui aku on nii kuum, et seda ei saa puudutada, võib aku olla defektne. Asetage aku nähtavasse tulekindlasse kohta, mis on süttivatest materjalidest piisavaltkaugel. Laske akul jahtuda. Kui aku on ühe tunni pärast ikka veel liiga kuum, et seda puudutada saaks, siis on aku defektne. Pöörduge **Hilti** hooldekeskusesse või lugege läbi dokument "Juhised **Hilti** liitiumioonakude ohutu käsitlemise ja kasutamise kohta".

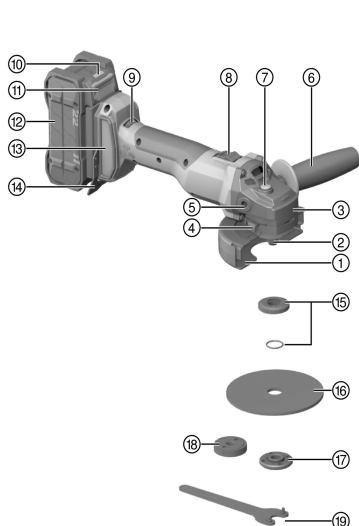


Järgige liitiumioonakude transpordi, ladustamise ja käsitlemise kohta esitatud erijuhiseid. → Lehekülg 114

Lugege läbi **Hilti** liitiumioonakude ohutu käsitlemise ja kasutamise juhised, mis avanevad käesoleva kasutusjuhendi lõpus oleva QR-koodi skannimisel.

3 Kirjeldus

3.1 Toote ülevaade



- 1 Standardvarustuse kettakaitse
- 2 Spindel
- 3 Pöörlemissuuna nool
- 4 Kettakaitse vabastusnupp
- 5 Keermestatud pesa käepidemele
- 6 Külgakäepide
- 7 Spindlilukustusnupp
- 8 Sisse-välja-lüliti
- 9 Kiiruse regulaator
- 10 Aku oleku indikaator
- 11 Akuvabastusnupp
- 12 Aku
- 13 Tolmufilter
- 14 Sädemekaitseplekk
- 15 Kinnitusflants koos rõngastihendiga
- 16 Lõikeketas/lihvketas
- 17 Kinnitusmutter
- 18 **Kwik lock** tüüpi kiirkinnitusmutter (lisavarustus)
- 19 Haakvõti

3.2 Sihipärane kasutus

Kirjeldatud toode on käsitsi juhitud akutoitega nurklihvmasin. See on ette nähtud metallide ja mineraalsete materjalide lõikamiseks ja lihvimiseks, harjamiseks, liivapaberiga lihvimiseks ning keraamiliste plaatide puurimiseks ilma vett kasutamata. Seda tohib kasutada üksnes kuivlõikamiseks/-lihvimiseks.

- Kasutage toote jaoks ainult **Hilti** Nuron B 22 seeria liitiumioonakusid. Optimaalse võimsuse tagamiseks soovib **Hilti** kasutada toodet tabelis loetletud akudega.
- Kasutage akude laadimiseks ainult siinses tabelis toodud **Hilti** laadijaid.

3.3 Tarnekomplekt

Nurklihvmasin, lisakäepide, standardne kettakaitse, eesmine kate, kinnitusflants, kinnitusmutter, otsvõti, tolmufilter, kasutusjuhend.

Muud süsteemitooted leiate müügiesindusest **Hilti Store** või veebisaidilt: www.hilti.group



3.4 ATC

Seade on varustatud elektroonilise kiirväljalülitussüsteemiga ATC (Active Torque Control).

Kui tarvik blokeerub või jääb kinni, hakkab seade äkitselt kontrollimatult vastassuunas pöörlema. ATC tuvastab seadme järsu liikumise ja lülitab seadme kohe välja.



Nõuetekohaseks töötamiseks peab seade saama vabalt pöörlema. Pärast kiirväljalülitumist lülitage seade välja ja uuesti sisse.

3.5 Mootorikaitsefunktsioon

Mootorikaitsefunktsioon kontrollib voolutarbimist ja mootori soojenemist ning kaitseb seadet ülekuumenemise eest.

Liiga suurest rakendatavast survest põhjustatud mootori ülekoormuse tõttu väheneb seadme võimsus tunduvalt ja seade võib seiskuda.



Kui esineb seisakut või ülekoormuse tõttu pöörete arvu vähenemist, tuleb seadme koormust vähendada ja lasta sellel ca 30 sekundit tühikäigul töötada.

3.6 Integreeritud pidur

Tänu integreeritud pidurile lüheneb tarviku järelepöörlemisaeg enne seiskumist.



See funktsioon on tagatud üksnes siis, kui seade on varustatud vooluga. Olenevalt valitud tarvikust on pidurdusaeg erinev.

3.7 Esikate

Kasutage eesmisega kattega standardset kettakaitset allpool loetletud töödeks:

- Eeltöötlemine sirgete eeltöötlusketastega
- Abrasiivtöötlemine abrasiivlõikeketastega

3.8 Tolmueemalduskate (lõikamine) DC-EX 125/5" C Kompaktne kate (tarvik)

Mineraalsete pindade lõikamiseks teemantlõikeketastega tuleb kasutada kompaktnet katet DC-EX 125/5" C. Selle kattega on keelatud töödelda metalli.

3.9 Tolmueemalduskate (lõikamine) DC-EX 125/5" M (lisatarvik)

Mineraalsete pindade lihvimisel ja lõikamisel teemantlõike-/lihvketastega tuleb kasutada tolmuakat.

ETTEVAATUST Metallide töötlemine on selle kattega keelatud.

3.10 Tolmukaitsekate (lihvimine) DG-EX 125/5" (tarvik)

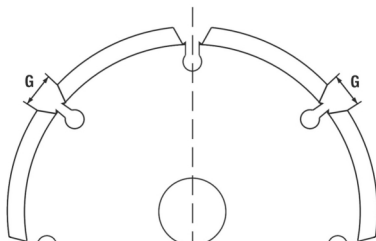
Seade sobib mineraalsete materjalide lihvimiseks teemantkausketaste abil vaid teatud juhtudel.

Seadmega on keelatud töödelda metalli.

3.11 Sobivate teemantlõikeketaste kuju

Teemantlõikeketas peab vastama järgmistele geometriilistele spetsifikatsioonidele.

Tehnilised andmed	
Segmentidevahelise pilu laius (G)	≤ 10 mm
Lõikenurk	negatiivne



3.12 Liitumioonaku kuvamine

Hilti Nuron liitumioonakud saavad näidata laetuse astet, anda veateateid ja näidata aku olekut.

3.12.1 Laetuse astme ja veateadete kuvamine

HOIATUS

Vigastuste oht allakukkuva aku tõttu!

- ▶ Kui aku on paigaldatud, tehke vabastuslukkule vajutamisega kindlaks, et aku on kasutatavas tootesse õigesti sisse pandud.

Selleks et kuvada ühte järgmistest näitudest, vajutage korraks aku vabastusnupule.

Laetuse astet ning võimalikke tõrkeid kuvatakse pidevalt seni, kuni ühendatud seade on sisse lülitatud.

Seisund	Tähendus
Neli (4) LED-tuld põlevad pideva rohelise tulega	Laetuse aste: 100 % kuni 71 %
Kolm (3) LED-tuld põlevad pideva rohelise tulega	Laetuse aste: 70 % kuni 51 %
Kaks (2) LED-tuld põlevad pideva rohelise tulega	Laetuse aste: 50 % kuni 26 %
Üks (1) LED-tuli põleb pideva rohelise tulega	Laetuse aste: 25 % kuni 10 %
Üks (1) LED-tuli vilgub aeglaselt rohelise tulega	Laetuse aste: < 10 %
Üks (1) LED-tuli vilgub aeglaselt rohelise tulega	Liitumioonaku on täielikult tühjenenud. Laadige akut. Kui LED-tuled pärast laadimist ikka veel kiiresti vilguvad, pöörduge Hilti hooldekeskusse.
Üks (1) LED-tuli vilgub kiiresti kollase tulega	Liitumioonaku ja sellega ühendatud seade on üle koormatud, liiga külmad või liiga kuumad või on tegemist muu veaga. Viige seade ja aku soovitatud töötemperatuurile ja ärge avaldage tootele ülekoormust. Kui teade ei kao, pöörduge Hilti hooldekeskusse.
Üks (1) LED-tuli põleb kollase tulega	Liitumioonaku ja sellega seotud toode ei ühildu. Palun pöörduge Hilti hooldekeskusse.
Üks (1) LED-tuli vilgub kiiresti punase tulega	Liitumioonaku on lukustatud ja seda ei saa kasutada. Palun pöörduge Hilti hooldekeskusse.

3.12.2 Akude oleku kuvamine

Aku seisundi teadasaamiseks hoidke vabastusklahvi all kauem kui kolm sekundit. Süsteem ei tuvasta võimalikku aku tõrget, mis on tingitud valest käsitsemisest, nt kukkumisest, torgetest, suurest kuumusest vm.

Seisund	Tähendus
Kõik LED-tuled süttivad pideva tulena ja seejärel põleb (1) LED-tuli pidevalt rohelise tulega.	Akut võib jätkuvalt kasutada.
Kõik LED-tuled süttivad pideva tulena (1) ja LED-tuli vilgub kiiresti kollase tulega.	Aku oleku kohta esitatud päringut ei saanud lõpetada. Korra ke protsessi või pöörduge Hilti hooldekeskusse.
Kõik LED-tuled süttivad pideva tulena ja seejärel põleb (1) ja LED-tuli pideva punase tulega.	Kui ühendatud seadet saab jätkuvalt kasutada, on aku allesjäänud mahtuvus alla 50%. Kui ühendatud seadet ei saa enam kasutada, on aku kasutusressurss ammendunud ja aku tuleb välja vahetada. Palun pöörduge Hilti hooldekeskusse.

4 Kulumaterjal

Kasutada tohib vaid kunstvaiksideainega ja kiudainega tugevdatud kettaid, mille max Ø on 125 mm ning mille lubatud pöörlemiskiirus on vähemalt 11000/min ja perifeerkiirus 80 m/s.

TÄHELEPANU! Lõikeketastega lõikamisel kasutage alati täiendava eesmise katttega standardset kettakaitset või täielikult suletud tolmueemalduskatet.



Kettad

Tüüp	Kasutus	Tähis	Aluspind	Max paksus	Max läbimõõt
Abrasiivlöikeketas	Lõikamine, soones-tamine	AC-D	metallist	2,5 mm	125 mm
Teemantlöikeketas	Lõikamine, soones-tamine	DC-TP, DC-D (SPX, SP, P)	mineraalne	3 mm	125 mm
Abrasiivne lihvketas	Lihvimine	AG-D, AF-D, AN-D	metallist	6,4 mm	125 mm
teemantlihvketas	Lihvimine	DG-CW (SPX, SP, P)	mineraalne	—	125 mm
Traathari	Traatharjad	3CS, 4CS, 3SS, 4SS	metallist	— 27 mm	75 mm 125 mm
Teemantkroonpuur	Keraamiliste plaati-de puurimine	DD-M14	mineraalne	—	125 mm
Fiiberketas	Lihvimine	AP-D	metallist	—	125 mm

Ketaste liigitus kasutatud varustuse järgi

Pos	Varustus	AC-D	AP-D	AG-D, AF-D, AN-D	DG-CW (SPX, SP, P)	DC-TP, DC-D (SPX, SP, P)	3CS, 4CS, 3SS, 4SS, DD-M14
A	Kettakaitse (standard)	✓	✓	✓	✓	✓	✓
B	Esikate (kombinat-sioonis A-ga)	✓	—	—	—	✓	—
C	Tolmueemaldus-kate (lihvimine) DG-EX 125/5"	—	—	—	✓	—	—
D	Tolmueemaldus-kate (lõikamine) DC-EX 125/5"C (kombinatsioonis A-ga)	—	—	—	—	✓	—
E	Tolmueemalduskate (lõikamine) DC-EX 125/5"M	—	—	—	—	✓	—
F	Adapter DC-EX SL (kombinatsioonis E-ga)	—	—	—	—	✓	—
G	Lisakäepide (standar-d)	✓	✓	✓	✓	✓	✓
H	Kinnitusmutter (standard)	✓	—	✓	✓	✓	—
I	Kinnitusflants (stan-dard)	✓	—	✓	✓	✓	—
J	Kwik lock (valikuli-selt H juurde)	✓	—	✓	—	✓	—
K	Kinnitusmutter (fiiberketas)	—	✓	—	—	—	—
L	Tugitald (fiiberketas)	—	✓	—	—	—	—



5 Tehnilised andmed

	AG 4S-22-125
Nimipinge	21,6 V
Nimipöörde arv	8 500 p/min
Ketta maksimaalne läbimõõt	125 mm
Kaal EPTA Procedure 01 järgi ilma akuta	2,1 kg
Spindli keere	M14
Spindli pikkus	22 mm
Ümbritseva keskkonna temperatuur töötamise ajal	-17 °C ... 60 °C (1 °F ... 140 °F)
Hoiutemperatuur	-20 °C ... 70 °C (-4 °F ... 158 °F)

5.1 Aku

Aku tööpinge	21,6 V
Aku kaal	Vt kasutusjuhendi lõpp
Ümbritseva keskkonna temperatuur töötamise ajal	-17 °C ... 60 °C (1 °F ... 140 °F)
Hoiutemperatuur	-20 °C ... 40 °C (-4 °F ... 104 °F)
Aku temperatuur laadimise alguses	-10 °C ... 45 °C (14 °F ... 113 °F)

5.2 Andmed müra ja vibratsiooni kohta vastavalt standardile 62841-2-3:2021

Käesolevas juhendis märgitud helirõhu- ja vibratsioonitase on mõõdetud standarditud mõõtemeetodil ja seda saab kasutada elektriliste tööriistade omavaheliseks võrdlemiseks. See sobib ka vibratsiooni- ja mürataseme esialgseks hindamiseks.

Toodud näitajad iseloomustavad elektrilise tööriista põhilisi ettenähtud töid. Kui aga elektrilist tööriista kasutatakse muul otstarbel, teiste tarvikutega või kui tööriista on ebapiisavalt hooldatud, võivad näitajad käesolevas juhendis toodud näitajatest kõrvale kalduda. See võib vibratsiooni- ja mürataset töötamise koguperioodil tunduvalt suurendada.

Müra- ja vibratsioonitaseme täpseks hindamiseks tuleb arvesse võtta ka aega, mil elektriline tööriist oli välja lülitatud või küll sisse lülitatud, kuid tegelikult tööle rakendamata. See võib vibratsiooni- ja mürataset töötamise koguperioodil tunduvalt vähendada.

Kasutaja kaitseks müra ja/või vibratsiooni eest võtke tarvitusele täiendavaid kaitsemeetmeid, näiteks: hoidke elektrilist tööriista ja tarvikuid korralikult, hoidke käed soojad, tagage sujuv töökorraldus.

Õhukeste plekkide või muude kergelt vibreerivate suure pinnaga struktuuride lihvimine võib põhjustada müraemissioone, mis ületavad siintoodud müraemissioonide väärtused. Saate seeläbi tekkivaid müraemissioone vähendada müra vähendavate meetmetega, nt paigaldades rasked, paindlikud summutusmatid. Kaaluge müraga kokku puutumise ohu hingamise ja sobiva kuulmiskaitse valimisel alati ka neid suurenenud väärtusi.

Mürataave

	AG 4S-22-125
Müra-helirõhutase (L_{pA})	89 dB(A)
Helirõhutase mõõtemääramatus (K_{pA})	3 dB(A)
Müravõimsustase (L_{WA})	97 dB(A)
Müravõimsustase mõõtemääramatus (K_{WA})	3 dB(A)

Vibratsiooniteave

Muu kasutus, nt löikamisel võib vibratsioonitase erineda.



		AG 4S-22-125
Pinna lihvimine (a_{h,AG})	B 22-55	5,1 m/s ²
	B 22-255	5,4 m/s ²
Möötemääramatus (K)		1,5 m/s ²

6 Töö ettevalmistamine

HOIATUS

Vigastuste oht soovimatu käivitumise tõttu!

- ▶ Enne aku paigaldamist veenduge, et selle juurde kuuluv seade on välja lülitatud.
- ▶ Enne seadme seadistamist ja tarvikute vahetamist eemaldage seadmest aku.

Järgige kasutusjuhendis esitatud ja tootele märgitud ohutusnõudeid ja hoiatusi.

6.1 Aku laadimine

1. Enne laadimist lugege laadimiseadme kasutusjuhendit.
2. Veenduge, et aku ja laadimiseadme kontaktid on puhtad ja kuivad.
3. Laadige akut selleks ettenähtud laadimiseadmega. → Lehekülg 104

6.2 Aku paigaldamine

HOIATUS

Vigastuste oht lühise või allakukkunud aku tõttu!

- ▶ Enne aku paigaldamist veenduge, et aku ja seadme kontaktidel ei ole võõrkehaseid.
- ▶ Veenduge, et aku fikseerub alati korrektselt kohale.

1. Enne esmakordset kasutamist laadige aku täiesti täis.
2. Lükake aku seadmesse, kuni see kuuldavalt kohale fikseerub.
3. Kontrollige aku kindlat kinnitumist.

6.3 Aku eemaldamine

1. Vajutage aku vabastusnupule.
2. Tõmmake aku seadmest välja.

6.4 Hiiti Kukkumiskaitse paigaldamine (lisavarustus)

- Tootega töötamise ajal tuleb tingimata järgida riigis kehtivaid eeskirju kõrgustes töötamise kohta. Järgige lukustusklambri kasutusjuhendit.

1. Asetage lukustusklambri mõlemad lapatsid täpselt sädemekaitse pleki peale.
2. Kinnitage lukustusklamber tarnekomplekti kruvidega, keerates kruvid sädemekaitseplekis olevatesse avadesse.
3. Asetage aku kohale. → Lehekülg 109

6.5 Lukustusklamber

HOIATUS

Vigastuste oht tingitud allakukkuvast tööriistast ja/või tarvikust!

- ▶ Toote jaoks kasutage üksnes soovitatud **Hilti** tööriistarossi.
- ▶ Iga kord enne kasutamist kontrollige, et tarvikuhoidetrossi kinnituspunkt ei ole kahjustada saanud.

- Järgige riigis kehtivaid eeskirju kõrgustes töötamise kohta.



Selle toote puhul kasutage kukkumiskaitsena vaid **Hilti** kukkumiskaitset #2293133 kombinatsioonis **Hilti** tööriistatrossiga #2261970.

- ▶ Kinnitage kukkumiskaitse lisatarviku paigaldusavadesse. Kontrollige kindlat kinnitumist.
- ▶ Kinnitage üks karabiinikonks tööriistatrossi külge ja teine karabiinikonks kandva konstruktsiooni külge. Kontrollige mõlema karabiinikonksu kindlat kinnitumist.



Järgige **Hilti** kukkumiskaitse ja **Hilti** tööriistatrossi kasutusjuhendeid.

6.6 Külgkäepideme paigaldamine

- ▶ Kruvige külgkäepide ühte ettenähtud kruvipessa.

6.7 Kettakaitse paigaldamine või eemaldamine

ETTEVAATUST

Vigastuste oht. Tarvik võib olla kuum või teravate servadega.

- ▶ Paigaldamisel, mahavõtmisel, seadistamisel ja tõrgete kõrvaldamisel kandke kaitsekindaid.

- ▶ Järgige kettakaitse paigaldusjuhendit.

6.7.1 Standardse kettakaitse paigaldamine



Kettakaitse on varustatud seadenukkidega, mis tagavad, et paigaldada saab vaid toote jaoks sobivat kettakaitset. Kettakaitse liigub koos seadenukkidega seadme kattes.

1. Asetage kettakaitse spindlikaelale nii, et kettakaitsme ja seadme peal olevad kolmnurksed märgid on kohakuti.
2. Suruge kettakaitse spindlikaelale.
3. Vajutage kettakaitsme vabastusnupule ja keerake kettakaitse soovitud asendisse, kuni see fikseerub kohale.
 - ▶ Kettakaitsme vabastusnupp hüppab tagasi.

6.7.2 Standardse kettakaitse reguleerimine

- ▶ Vajutage kettakaitsme vabastusnupule ja keerake kettakaitse soovitud asendisse, kuni see fikseerub kohale.

6.7.3 Standardse kettakaitse eemaldamine

1. Vajutage kettakaitse vabastusnupule ja pöörake kettakaitset, kuni kettakaitsme ja seadme peal olevad kolmnurksed märgid on kohakuti.
2. Võtke kettakaitse maha.

6.8 Esikatte paigaldamine või mahavõtmine



Esikatte tuleb paigaldada standardvarustuse kettakaitse külge.

1. Paigutage esikatte standardvarustuse kettakaitse peale nii, et suletud külg on suunatud üles.
 - ▶ Lukustus peab riivistuma kuuldavalt.
2. Demonteerimiseks avage esikatte lukustus.
3. Demonteerige standardvarustuse kettakaitse küljest esikatte.

6.9 Tarviku paigaldamine või eemaldamine

ETTEVAATUST

Vigastuste oht. Tarvik võib olla kuum.

- ▶ Tarviku vahetamisel kandke kaitsekindaid.



i Teemantkettad tuleb välja vahetada, kui lõike- või lihvimisjõudlus märgatavalt väheneb. Üldjuhul tuleb seda teha siis, kui teemantsegmentide kõrgus on väiksem kui 2 mm.

Muud tüüpi kettad tuleb vahetada, kui lõikejõudlus märgatavalt väheneb või kui nurklihvmasina osad (peale ketta) töötamise ajal materjaliga kokku puutuvad.

Abrasiivkettad tuleb välja vahetada nende kasutusea möödumisel.

6.9.1 Tarviku paigaldamine

HOIATUS

Vigastuste oht. Seadme mootori seiskamisel võib tarvik lahti tulla.

- ▶ Enne tarviku või kinnitusmutri puudutamist oodake, kuni tarvik on seiskunud.
- ▶ Pingutage tarvik ja kinnitusflants kinnitusmutriga kinni nii, et seadme mootori seiskamisel ei tule spindli küljest osi lahti.

1. Puhastage kinnitusflants ja kinnitusmutter.
2. Kontrollige kinnitusflantsi rõngastihendi olemasolu ja töökorda.
 - ▶ Asendage puuduv või kahjustatud rõngastihend.
3. Paigutage kinnitusflants spindli peale selliselt, et flants oleks kindlalt lukustunud ega saaks pöörelda.
4. Paigaldage tarvik.
5. Keerake kinnitusmutter vastavalt paigaldatud tarvikule kinni.
6. Vajutage spindlilukustusnupp alla ja hoidke seda selles asendis.
7. Pingutage kinnitusmutter otsvõtme abil kindlalt kinni, seejärel vabastage spindlilukustusnupp ja eemaldage otsvõti.

6.9.2 Tarviku eemaldamine

HOIATUS

Purunemise ja hävinemise oht. Kui spindlilukustusnupule vajutada ajal, mil spindel pöörleb, võib tarvik lahti tulla.

- ▶ Vajutage spindlilukustusnupule üksnes siis, kui spindel seisab.
1. Vajutage spindlilukustusnupp alla ja hoidke seda selles asendis.
 2. Vabastage kiirkinnitusmutter, keerates seda otsvõtmega vastupäeva.
 3. Vabastage spindlilukustusnupp ja eemaldage tarvik.

6.9.3 Kinnitusmutriga tarviku paigaldamine

HOIATUS

Purunemise oht. Liiga suure kulumise tõttu võib **Kwik lock** tüüpi kiirkinnitusmutter puruneda.

- ▶ Töötamisel veenduge, et **Kwik lock** tüüpi kiirkinnitusmutter ei puutu aluspinnaga kokku.
- ▶ Ärge kasutage kahjustatud **Kwik lock** tüüpi kiirkinnitusmutrit.

i Kinnitusmutri asemel võib kasutada **Kwik lock** tüüpi kiirkinnitusmutrit. Sel juhul ei ole tarvikute vahetamiseks vaja mingeid tööriistu.

1. Puhastage kinnitusflants ja kinnitusmutter.
2. Kontrollige kinnitusflantsi rõngastihendi olemasolu ja töökorda.
 - ▶ Asendage puuduv või kahjustatud rõngastihend.
3. Paigutage kinnitusflants spindli peale selliselt, et flants oleks kindlalt lukustunud ega saaks pöörelda.
4. Paigaldage tarvik.
5. Krüvige **Kwik lock** tüüpi kiirkinnitusmutter tarviku peale, nii et see on korrektselt paigas.
 - ▶ Kiri **Kwik lock** on pealekeeratud asendis nähtav.
6. Vajutage ja hoidke spindlilukustusnuppu all.
7. Keerake tarvikut käega päripäeva edasi seni, kuni Kwick-Lock-tüüpi kiirkinnitusmutter **Kwik lock** on tugevasti kinni pingutatud.
8. Vabastage spindli lukustusnupp.



6.9.4 Kwik lock mahavõtmine



Kui kiirkinnitusmutrit **Kwik lock** ei saa käsitsi lahti keerata, siis kasutage haakvõtit ja keerake sellega vastupäeva. Ärge kunagi kasutage torutange. Kasutades vale tööriista võib kiirkinnitusmutter **Kwik lock** kahjustada saada.

1. Vajutage spindlilukustusnupule.
2. Vabastage **Kwik lock** tüüpi kiirkinnitusmutter, keerates seda käsitsi vastupäeva.
3. Vabastage spindlilukustusnupp ja eemaldage tarvik.

6.9.5 Kroonpuuri paigaldamine **11**

1. Paigaldage külgakäepide. → Lehekülg 110
2. Paigaldage standardne kettakaitse.
3. Asetage kroonpuur kohale ja kruvige see käega kinni.
4. Vajutage spindlilukustusnupp alla ja hoidke seda selles asendis.
5. Keerake suurkroon sobiva lehtvõtmega kinni.
6. Seejärel vabastage spindlilukustusnupp ja eemaldage lehtvõti.

6.9.6 Traatharja paigaldamine **12**

1. Paigaldage külgakäepide. → Lehekülg 110
2. Paigaldage standardne kettakaitse.
3. Asetage traathari kohale ja kruvige see käega kinni.
4. Vajutage spindlilukustusnupp alla ja hoidke seda selles asendis.
5. Keerake traatharja sobiva lehtvõtmega kinni.
6. Seejärel vabastage spindlilukustusnupp ja eemaldage lehtvõti.

6.9.7 Fiiberketta paigaldamine **13**

1. Paigaldage külgakäepide. → Lehekülg 110
2. Paigaldage standardne kettakaitse.
3. Asetage tugitald ja fiiberketas kohale ja keerake kinnitusmutter kinni.
4. Vajutage spindlilukustusnupp alla ja hoidke seda selles asendis.
5. Pingutage kinnitusmutter otsvõtmega kinni.
6. Seejärel vabastage spindlilukustusnupp ja eemaldage otsvõti.

7 Käsitsemine

7.1 Sisselülitamine

1. Vajutage sisse-välja-lüliti tagumist osa.
2. Lükake sisse-välja-lüliti suunaga ette.
 - ▶ Mootor töötab.
3. Lukustage sisse-välja-lüliti.

7.2 Lihvimine



HOIATUS

Vigastuste oht. Tarvik võib äkitselt blokeeruda või kinni kiiluda.

- ▶ Kasutage seadet alati koos lisakäepidemega ja hoidke seadet alati kahe käega.

Ärge laske tarvikul kinni kiiluda ja vältige liigse surve avaldamist.

7.3 Lõikamine

- ▶ Lõikamisel töötage mõõduka survega ja ärge kallutage seadet ega lõikeketast (töösens on ca 90° lõikeketasandi suhtes).



Profiile ja väikesi nelikanttorusid on kõige parem lõigata, kui asetada lõikeketas väikseimal ristlõikele.



7.4 Lihvimine

HOIATUS

Vigastuste oht. Lõikeketas võib puruneda ja laialipaiskuvad osad võivad tekitada vigastusi.

- ▶ Ärge kunagi kasutage lihvimiseks lõikeketaid.
- ▶ Liigutage seadet 5° kuni 30° nurga all mõõduka survega edasi-tagasi.
 - ▶ Toorik ei lähe liiga kuumaks, ei muuda värvi ja ei teki kriimustusi.

7.5 Väljalülitamine

- ▶ Vajutage sisse-välja-lüliti tagumist osa.
 - ▶ Sisse-välja-lüliti hüppab välja-asendisse ja mootor seiskub.

8 Hooldus ja korrashoid

HOIATUS

Vigastuste oht paigaldatud aku korral !

- ▶ Enne mis tahes hooldus- ja korrashoiutöid eemaldage seadmest aku!

OHT

Puuduvast kaitseisolatsioonist tingitud elektrilöögi oht. Äärmuslikes kasutustingimustes võib metallide töötlemisel koguneda seadme sisemusse elektrit juhtivat tolmu (nt metall, süsinikkiud), mis võib kahjustada kaitseisolatsiooni.

- ▶ Äärmuslike kasutustingimuste korral kasutage statsionaarset tolmuimejat.
- ▶ Puhastage sageli ventilatsiooniavasid.

Toote hooldus

- Kõvasti kinni olev mustus eemaldage ettevaatlikult.
- Puhastage korpust ainult veidi niiske lapiga. Ärge kasutage silikooni sisaldavaid hooldusvahendeid, sest need võivad kahjustada seadme plastdetaile.
- Seadme kontaktide puhtastamiseks kasutage puhast kuiva lappi.

Liitiumioonakude hooldus

- Ärge kunagi kasutage akut, mille ventilatsiooniavad on ummistunud. Puhastage ventilatsiooniavasid ettevaatlikult kuiva, pehme harjaga.
- Kaitske akut tolmu ja mustuse eest. Ärge jätke akut kunagi suure niiskuse kätte (ärge asetage seda vette ja ärge jätke vihma kätte).
Kui aku on märjaks saanud, siis käsitlege seda nii, nagu oleks see kahjustatud. Isoleerige aku tulekindlas anumask ja pöörduge **Hilti** hooldekeskusesse.
- Hoidke aku puhas õlist ja rasvast. Vältige akusse asjatult tolmu ja mustuse kogunemist. Puhastage aku kuiva pehme harjaga või puhta kuiva lapiga. Ärge kasutage silikooni sisaldavaid hooldusvahendeid, sest need võivad kahjustada seadme plastdetaile.
Ärge puudutage aku kontakte ja ärge eemaldage kontaktidelt tehases peale kantud määret.
- Puhastage korpust ainult veidi niiske lapiga. Ärge kasutage silikooni sisaldavaid hooldusvahendeid, sest need võivad kahjustada seadme plastdetaile.

Korrashoid

- Kontrollige regulaarselt, kas kõik nähtavad osad on terved ja juhtelemendid töötavad veatult.
- Ärge kasutage seadet kahjustuste ja/või tõrgete korral. Laske seade kohe parandada **Hilti** hooldekeskuses.
- Pärast hooldus- ja korrashoiutöid paigaldage kõik kaitseseadised ja kontrollige, kas need töötavad veatult.



Ohutu töö tagamiseks kasutage ainult originaalvaruosi ja -materjale. **Hilti** heakskiidetud varuosad, materjalid ja lisatarvikud oma tootele leiate müügiesindusest **Hilti Store** või veebilehelt: **www.hilti.group**



9 Akutööriistade ja akude transport ja ladustamine

Transport

ETTEVAATUST

Soovimatu käivitumine transportimisel !

- ▶ Transportige tooteid ilma akudeta!

- ▶ Eemaldage aku/akud.
- ▶ Ärge kunagi transportige akusid lahtiselt. Enne aku transportimist tuleb aku pakendada nii, et see oleks kaitstud löökide ja vibratsiooni eest ning isoleeritud kõikidest elektri juhtivatest materjalidest või teistest akudest, et vältida kokkupuudet teise aku poolustega ning lühise teket. **Järgige akude transpordi suhtes kehtivaid riigiseseid nõudeid.**
- ▶ Akusid ei tohi saata posti teel. Kahjustamata akude saatmiseks pöörduge logistikaettevõtja poole.
- ▶ Iga kord enne kasutamist ning enne ja pärast pikemat transporti või hoiustamist kontrollige seadet ja akusid vigastuste suhtes.

Hoiustamine

HOIATUS

Defektsed akud või lekkivad akud võivad tekitada vigastusi !

- ▶ Kasutusvälisel ajal eemaldage seadme aku!

- ▶ Hoidke seadet ja akusid jahedas ja kuivas kohas. Pidage kinni tehnilistes andmetes toodud temperatuuripiirangutest.
- ▶ Ärge hoidke akusid laadimisseadmes. Pärast laadimist eemaldage aku laadimisseadme.
- ▶ Ärge hoidke akusid päikese käes, radiaatori peal või klaasi taga.
- ▶ Hoidke seadet ja akusid lastele ja kõrvalistele isikutele ligipääsmatus kohas.
- ▶ Iga kord enne kasutamist ning enne ja pärast pikemaajalist seismist kontrollige seadet ja akusid kahjustuste suhtes.

10 Rikkeabi

Kõikide rikete korral pöörake tähelepanu aku laetustaseme ja rikete indikaatoritele. Vt ptk **Li-ioon-aku näidud**.

Rikete korral, mis tabelis ei kajastu või mida Te ise kõrvaldada ei oska, pöörduge **Hilti** teeninduskeskusse.

Tõrge	Võimalik põhjus	Lahendus
Seadet ei ole võimalik sisse lülitada.	Aku on tühi.	▶ Vahetage aku välja ja laadige tühi aku täis.
Aku tühjeneb tavalisest kiiremini.	Ümbritseva keskkonna temperatuur on väga madal.	▶ Laske akul soojeneda aeglaselt toatemperatuurini.
Aku ei fikseeru kuuldava klõpsuga kohale.	Aku fiksaatorid on määrdunud.	▶ Puhastage fiksaatorid ja paigaldage aku uuesti.
Nurklihvmasin või aku läheb väga kuumaks.	Elektriline rike	▶ Lülitage seade kohe välja, eemaldage aku, jälgige seda, laske akul jahtuda ja võtke ühendust Hilti teeninduskeskusega.
	Ventilatsiooniavad ummistunud	▶ Puhastage ventilatsiooniavasid korrapäraselt.
Mootori pidurdusfunktsioon ei toimi.	Aku on tühi.	▶ Vahetage aku välja ja laadige tühi aku täis.
	Seade on lühiajaliselt üle koormatud.	▶ Lülitage seade välja ja uuesti sisse.



11 Utiliseerimine

HOIATUS

Valest käitlemisest tingitud vigastuste oht! Eralduvad gaasid või vedelikud on terviseohtlikud.

- ▶ Ärge saatke kahjustada saanud akusid posti teel!
- ▶ Lühise vältimiseks katke akukontaktid elektrit mittejuhtiva materjaliga.
- ▶ Käideldge akusid nii, et need ei satu laste kätte.
- ▶ Utiliseerige aku **Hilti Store** esinduses või pöörduge asjaomase jäätmekäitlusettevõtte poole.

Enamik **Hilti** seadmete valmistamisel kasutatud materjalidest on taaskasutatavad. Taaskasutuse eelduseks on materjalide korralik sorteerimine. Paljudes riikides kogub **Hilti** kasutusressursi ammendanud seadmed kokku. Lisateavet saate **Hilti** müügiesindusest.



- ▶ Ärge visake kasutusressursi ammendanud elektrilisi tööriistu, elektroonikaseadmeid ja akusid olmejäätmete hulka!

12 Tootja garantii

- ▶ Garantiitingimusi puudutavates küsimustes pöörduge oma kohaliku **Hilti** partneri poole.

13 Lisateave

Lisateavet käsitsemise, tehnoloogia, keskkonna ja ringlussevõtu kohta leiate: qr.hilti.com/manual/?id=2252233&id=2252235&id=2251374

Link on lisatud sinise kasutusjuhendi lõppu QR-koodina.

Originaaläe lietošanas instrukcija

1 Informācija par lietošanas instrukciju

1.1 Par šo lietošanas instrukciju

- **Brīdinājums!** Pirms sākt izstrādājuma lietošanu, pārliecinieties, ka ir izlasīta un saprasta izstrādājumam pievienotā lietošanas instrukcija, ieskaitot pamācības, drošības norādījumus un brīdinājumus, attēlus un specifikācijas. Īpaši rūpīgi iepazīstieties ar pamācībām, drošības norādījumiem un brīdinājumiem, attēliem un specifikācijām, kā arī sastāvdaļām un funkcijām. Neievērošanas gadījumā pastāv elektriskās strāvas trieciena, aizdegšanās un/vai smagu traumu risks. Rūpīgi uzglabājiet lietošanas instrukciju, ieskaitot visas pamācības, drošības norādījumus un brīdinājumus, turpmākai izmantošanai.
- izstrādājumi ir paredzēti profesionāliem lietotājiem, un to darbināšanu, apkopi un tehniskā stāvokļa uzturēšanu drīkst veikt tikai kvalificēts, atbilstīgi apmācīts personāls. Personālam ir jābūt labi informētam par iespējamajiem riskiem, kas var rasties darba laikā. Izstrādājums un tā papildaprīkojums var radīt bīstamas situācijas, ja to uztic neprofesionālam personālam vai nelieto atbilstīgi nosacījumiem.
- Pievienotā lietošanas instrukcija atbilst aktuālajam tehnikas attīstības līmenim tās sagatavošanas brīdī. Aktuālā versija vienmēr ir pieejama tiešsaistē, Hilti izstrādājumu lapā. Lai tai piekļūtu izmantojiet šajā lietošanas instrukcijā iekļauto saiti vai kvadrātkodu, kas apzīmēts ar simbolu .
- Vienmēr pievienojiet lietošanas instrukciju izstrādājumam, ja tas tiek nodots citai personai.

1.2 Apzīmējumu skaidrojums

1.2.1 Brīdinājumi

Brīdinājumi pievērš uzmanību bīstamībai, kas pastāv, strādājot ar izstrādājumu. Tiek lietoti šādi signālvārdi:

BĪSTAMI!

BĪSTAMI!

- ▶ Pievērš uzmanību draudošām briesmām, kas var izraisīt smagus miesas bojājumus vai nāvi.



⚠ BRĪDINĀJUMS!

BRĪDINĀJUMS! !

▶ Pievērš uzmanību iespējamam apdraudējumam, kas var izraisīt smagas traumas vai pat nāvi.

⚠ IEVĒROT PIESARDZĪBU!

UZMANĪBU! !

▶ Norāda uz iespējami bīstamām situācijām, kas var izraisīt traumas vai materiālos zaudējumus.

1.2.2 Simboli lietošanas instrukcijā

Šajā lietošanas instrukcijā tiek izmantoti šādi simboli:

	Ievērojiet lietošanas instrukciju
	Norādījumi par lietošanu un cita noderīga informācija
	Rīcība ar atbilstošajiem materiāliem
	Neizmetiet elektroiekārtas un akumulatorus sadzīves atkritumos.
	Hilti Litija jonu akumulators
	Hilti Lādētājs

1.2.3 Attēlos lietotie simboli

Attēlos tiek lietoti šādi simboli:

	Šie skaitļi norāda uz attiecīgajiem attēliem, kas atrodami šīs lietošanas instrukcijas sākumā.
	Numerācija attēlos atbilst veicamo darbību secībai un var atšķirties no darbību apraksta tekstā.
	Pozīciju numuri tiek lietoti attēlā Pārskats un norāda uz leģendas numuriem sadaļā Izstrādājuma pārskats .
	Šī simbola uzdevums ir pievērst īpašu uzmanību izstrādājuma lietošanas laikā.

1.3 Simboli atkarībā no izstrādājuma

1.3.1 Simboli uz izstrādājuma

Uz izstrādājuma var tikt lietoti šādi simboli:

	Lietojiet aizsargbrilles
n_0	Nominālais apgriezīgu skaits tukšgaitā
/min	Apgriezīgu skaits minūtē
RPM	Apgriezīgu skaits minūtē
\varnothing	Diametrs
	Līdzstrāva
	Griešanas darbu laikā nelietojiet standarta pārsegu.
	Vienmēr veiciet darbu ar abām rokām.
	Izstrādājums atbalsta tehnoloģiju NFC, kas ir saderīga ar iOS un Android platformām.



Li-Ion	Litija jonu akumulators
	Nekādā gadījumā nelietojiet akumulatoru kā triecieninstrumentu.
	Sargājiet akumulatoru no kritieniem. Nelietojiet akumulatoru, ja tas ir bijis pakļauts triecienam vai tam ir radušies cita veida bojājumi.

1.4 Izstrādājuma informācija

HILTI izstrādājumi ir paredzēti profesionāliem lietotājiem, un to darbināšanu, apkopi un tehniskā stāvokļa uzturēšanu drīkst veikt tikai kvalificēts, atbilstīgi apmācīts personāls. Personālam ir jābūt labi informētam par iespējamajiem riskiem, kas var rasties darba laikā. Izstrādājums un tā papildaprīkojums var radīt bīstamas situācijas, ja to uztic neprofesionālam personālam vai nelieto atbilstīgi nosacījumiem.

Iekārtas tipa apzīmējums un sērijas numurs ir norādīti uz identifikācijas datu plāksnītes.

- ▶ Ierakstiet sērijas numuru zemāk redzamajā tabulā. Izstrādājuma dati jānorāda, vērstoties mūsu pārstāvnīcībā vai servisā.

Izstrādājuma dati

Leņķa slīpmašīna ar akumulatoru	AG 4S-22-125
Paaudze	02
Sērijas Nr.	

1.5 Atbilstības deklarācija

Ražotājs, uzņemoties pilnu atbildību, apliecina, ka šeit aprakstītais izstrādājums atbilst spēkā esošo tiesību aktu un standartu prasībām. Atbilstības deklarācijas attēls ir atrodams šīs dokumentācijas beigās.

Tehnisko dokumentāciju glabā:

Hilti Entwicklungsgesellschaft mbH | Zulassung Geräte | Hiltistraße 6 | 86916 Kaufering, DE

2 Drošība

2.1 Vispārīgi drošības norādījumi par darbu ar elektroiekārtām

⚠ BRĪDINĀJUMS! Iepazīstieties ar visiem drošības norādījumiem, instrukcijām, attēliem un tehnikajiem parametriem, kas attiecas uz šo elektroiekārtu. Turpmāk izklāstīto instrukciju neievērošana var izraisīt elektrošoku, ugunsgrēku un/vai nopietnas traumas.

Saglabājiet visus drošības norādījumus un instrukcijas turpmākai lietošanai.

Drošības norādījumos lietotais apzīmējums "elektroiekārta" attiecas uz iekārtām ar tīkla barošanu (ar barošanas kabeli) vai iekārtām ar barošanu no akumulatora (bez kabeļa).

Drošība darba vietā

- ▶ **Uzturiet darba vietā tīrību un kārtību un nodrošiniet labu apgaismojumu.** Nekārtīgā darba vietā vai sliktā apgaismojumā var viegli notikt nelaimes gadījums.
- ▶ **Nestrādājiet ar elektroiekārtu sprādzienbīstamā vidē, kur atrodas uzliesmojoši šķidrumi, gāzes vai putekļi.** Darbības laikā elektroiekārtas mēdz dzirkstēlot, un tas var izraisīt viegli uzliesmojošu putekļu vai tvaiku aizdegšanos.
- ▶ **Lietojot elektroiekārtu, neļaujiet nepiederošām personām un jo īpaši bērniem tuvoties darba vietai.** Citu personu klātbūtne var novērst uzmanību, un tā rezultātā jūs varat zaudēt kontroli pār iekārtu.

Elektrodrošība

- ▶ **Elektroiekārtas kontaktdakšai jāatbilst elektrofikla kontaktligzdai. Kontaktdakšas konstrukciju nedrīkst nekādā veidā mainīt. Kopā ar elektroiekārtām, kurām ir aizsargzemējums, nedrīkst lietot adapteru spraudņus.** Neizmaiņātas konstrukcijas kontaktdakša, kas atbilst kontaktligzdai, ļauj samazināt elektrošoka risku.
- ▶ **Darba laikā nepieskarieties sazemētiem priekšmetiem, piemēram, caurulēm, radiatoriem, plītiem vai ledusskapjiem.** Pieskaroties sazemētām virsmām, pieaug risks saņemt elektrisko triecienu.
- ▶ **Nelietojiet elektroiekārtu lietus laikā, neturiet to mitrumā.** Mitrumam iekļūstot elektroiekārtā, pieaug risks saņemt elektrisko triecienu.
- ▶ **Nenesiet un nepakariniet elektroiekārtu aiz barošanas kabeļa un neraujiet aiz kabeļa, ja vēlaties atvienot iekārtu no elektrofikla kontaktligzdas. Sargājiet barošanas kabeli no karstuma, eļļas, asām šķautnēm vai kustīgām detaļām.** Bojāts vai sapīņķerējis barošanas kabelis var kļūt par cēloni elektrošokam.



- ▶ Darbinot elektroiekārtu ārpus telpām, izmantojiet tās pievienošanai vienīgi tādus pagarinātāja-kabeļus, kas ir paredzēti lietošanai brīvā dabā. Lietojot elektrokabeļi, kas ir piemērots darbam ārpus telpām, samazinās elektrošoka risks.
- ▶ Ja elektroiekārtas izmantošana slāpā vidē ir obligāti nepieciešama, lietojiet bojājumstrāvas aizsargslēdzi. Bojājumstrāvas aizsargslēdža lietošana samazina elektrošoka risku.

Personiskā drošība

- ▶ Strādājiet ar elektroiekārtu uzmanīgi, darba laikā saglabājiet paškontroli un rīkojieties saskaņā ar veselo saprātu. Ar elektroiekārtu nedrīkst strādāt personas, kas ir nogurušas vai atrodas narkotiku, alkohola vai medikamentu ietekmē. Mirklis neuzmanības, strādājot ar elektroiekārtu, var novest pie nopietnām traumām.
- ▶ Izmantojiet individuālos aizsardzības līdzekļus un darba laikā vienmēr valkājiet aizsargbrilles. Individuālo aizsardzības līdzekļu (putekļu aizsargmaskas, neslidošu apavu un aizsargķiveres vai ausu aizsargu) lietošana atbilstoši elektroiekārtas tipam un veicamā darba raksturam ļauj izvairīties no savainojumiem.
- ▶ Nepieļaujiet iekārtas nekontrolētas ieslēgšanās iespēju. Pirms pievienošanas elektrotīklam, akumulatora ievietošanas, elektroiekārtas satveršanas vai pārvietošanas pārliecinieties, ka tā ir izslēgta. Ja iekārtas pārvietošanas laikā pirksts atrodas uz slēdža vai ja ieslēgta iekārta tiek pievienota elektrotīklam, var notikt nelaimes gadījums.
- ▶ Pirms elektroiekārtas ieslēgšanas jānoņem visi regulēšanas piederumi un uzgriežņu atslēgas. Regulēšanas piederumi vai uzgriežņu atslēga, kas iekārtas ieslēgšanas brīdī atrodas iekārtā, var radīt traumas.
- ▶ Izvairieties no nedabiskām pozām. Darba laikā vienmēr saglabājiet līdzsvaru un nodrošinieties pret paslīdēšanu. Tas atvieglos elektroiekārtas vadību neparedzētās situācijās.
- ▶ Izvēlieties darbam piemērotu apģērbu. Darba laikā nenēsājiet brīvi plandošas drēbes un rotaslietas. Netuviniet matus, apģērbu un aizsargcimdus iekārtas kustīgajām daļām. Vaļīgas drēbes, rotaslietas un gari mati var ieķerties iekārtas kustīgajās daļās.
- ▶ Ja elektroiekārtas konstrukcija ļauj pievienot putekļu nosūkšanas vai savākšanas ierīci, sekojiet, lai tā būtu pievienota un tiktu darbināta pareizi. Putekļu nosūcēja lietošana samazina putekļu kaitīgo ietekmi.
- ▶ Nezaudējiet modrību un neatkāpieties no elektroiekārtu lietošanas drošības noteikumu ievērošanas arī tad, ja lietojat attiecīgo elektroiekārtu bieži un kārtīgi to pārzināt. Neuzmanība vienā sekundes daļā var novest pie smagām traumām.

Elektroiekārtas lietošana un apkope

- ▶ Nepārslodojiet elektroiekārtu. Katram darbam izvēlieties piemērotu iekārtu. Elektroiekārta darbosies labāk un drošāk pie nominālās slodzes.
- ▶ Nelietojiet elektroiekārtu, ja ir bojāts tās slēdzis. Elektroiekārta, ko nevar ieslēgt un izslēgt, ir bīstama un nekavējoties jānodod remontā.
- ▶ Pirms iestatījumu veikšanas, aprikojuma daļu nomaiņas vai iekārtas novietošanas uzglabāšanā atvienojiet kontaktakšu no elektrotīkla un/vai noņemiet noņemamo akumulatoru. Šādi jūs novērsīsit elektroiekārtas nejaušas ieslēgšanās risku.
- ▶ Elektroiekārtu, kas netiek darbināta, uzglabājiet piemērotā vietā. Neļaujiet lietot iekārtu personām, kas nav iepazinušas ar tās funkcijām un izlasījušas šo lietošanas instrukciju. Ja elektroiekārtu lieto nekompetentas personas, tas var apdraudēt cilvēku veselību.
- ▶ Rūpīgi veiciet elektroiekārtu un to piederumu apkopi. Pārbaudiet, vai kustīgās daļas darbojas bez traucējumiem un neķeras un vai kāda no daļām nav salauzta vai bojāta un tādējādi netraucē elektroiekārtas nevainojamu darbību. Raugieties, lai pirms iekārtas lietošanas tiktu nomainītas vai saremontētas bojātās daļas. Daudzi nelaimes gadījumi notiek tāpēc, ka elektroiekārtām nav nodrošināta pareiza apkope.
- ▶ Griežņinstrumentiem vienmēr jābūt uzasinātiem un tīriem. Rūpīgi kopti griežņinstrumenti ar asām šķautnēm retāk iestrēgst un ir vieglāk vadāmi.
- ▶ Lietojiet elektroiekārtu, piederumus, maināmos instrumentus utt. saskaņā ar šiem norādījumiem. Jāņem vērā arī konkrētie darba apstākļi un veicamās operācijas īpatnības. Elektroiekārtu lietošana citiem mērķiem, nekā to ir paredzējusi ražotājfirma, ir bīstama un var izraisīt neparedzamas sekas.
- ▶ Raugieties, lai rokturu un satveršanas virsmas būtu sausas, tīras, nenotraipītas ar eļļu un smērvielām. Ja rokturu vai satveršanas virsmas ir slidenas, nav iespējama droša elektroiekārtas vadība un kontrole neparedzamās situācijās.

Ar akumulatoru darbināmas iekārtas lietošana un apkope

- ▶ Akumulatora uzlādei jālieto tikai ražotāja ieteiktie lādētāji. Noteikta veida akumulatoriem paredzēts lādētājs kļūst ugunsbīstams, ja to izmanto ar cita veida akumulatoriem.



- ▶ **Izmantojiet elektroiekārtas barošanai tikai tai paredzētos akumulatorus.** Cita tipa akumulatoru lietošana var izraisīt iekārtas un/vai akumulatora aizdegšanos.
- ▶ **Laikā, kad akumulators ir atvienots no iekārtas, nepieļaujiet tā kontaktu saskaršanos ar saspraudēm, monētām, atslēgām, naglām, skrūvēm vai citiem nelieliem metāla priekšmetiem, kas varētu izraisīt īssavienojumu.** Ja starp akumulatora kontaktiem rodas īssavienojums, tas var sadegt vai kļūt par ugunsgrēka cēloni.
- ▶ **Nepareizi lietojot akumulatoru, no tā var izplūst šķidrums. Nepieļaujiet tā nokļūšanu uz ādas.** Ja tas tomēr nejausi ir noticis, noskalojiet ar ūdeni. Ja šķidrums iekļūst acīs, izskalojiet acis un nekavējoties vērsieties pie ārsta. No akumulatora izplūdušais šķidrums var izraisīt ādas kairinājumu vai apdegumus.
- ▶ **Nelietojiet bojātus vai modificētus akumulatorus.** Bojāti vai modificēti akumulatori var radīt neparedzamas situācijas un izraisīt ugunsgrēku, eksploziju vai traumas.
- ▶ **Nepakļaujiet akumulatoru uguns vai augstas temperatūras iedarbībai.** Uguns vai temperatūra virs 130 °C (265 °F) var izraisīt eksploziju.
- ▶ **Ievērojiet norādījumus par akumulatora lādēšanu un nekad nelādējiet akumulatoru vai ar akumulatoru darbināmo iekārtu ārpus lietošanas instrukcijā norādītā temperatūras diapazona.** Nepareiza lādēšana vai pieļaujamā temperatūras diapazona pārsniegšana var sabojāt akumulatoru un palielināt aizdegšanās risku.

Serviss

- ▶ **Uzdodiet elektroiekārtas remontu veikt tikai kvalificētam personālam, kas izmanto vienīgi oriģinālās rezerves daļas.** Tikai tā ir iespējams saglabāt iekārtas funkcionālo drošību.
- ▶ **Nekādā gadījumā neveiciet bojātu akumulatoru apkopi.** Jebkādus akumulatoru apkopes darbus drīkst veikt tikai ražotājs vai atbilstīgi pilnvarots klientu apkalpošanas dienests.

2.2 Drošības norādījumi visiem darbiem

Vispārīgi drošības norādījumi, kas jāievēro, slīpējot, lietojot smilšpapīru, strādājot ar stieple birstēm, veicot pulēšanas un griešanas darbus

- ▶ **Šī elektroiekārta ir paredzēta slīpēšanai ar rīpām un smilšpapīru, kā arī darbam ar stieple birstēm, pulēšanai, atveru izgriešanai un abrazīvajai griešanai. Ievērojiet visus drošības norādījumus, instrukcijas, attēlus un datus, kas saņemti kopā ar iekārtu.** Šādu norādījumu neievērošana var kļūt par cēloni elektrotraumām, ugunsgrēkam un/vai smagiem savainojumiem.
- ▶ **Nepārveidojiet šo elektroiekārtu tā, ka tas darbojas veidā, kādu nav paredzējis un aprakstījis iekārtas ražotājs.** Šāda pārveide var izraisīt kontroles zaudēšanu pār iekārtu un smagas traumas.
- ▶ **Nelietojiet nekādu papildu aprīkojumu, kuru lietošanai kopā ar šo elektroiekārtu nav izstrādājis un akceptējis ražotājs.** Tas vien, ka aprīkojumu ir iespējams nostiprināt pie jūsu elektroiekārtas, vēl nenozīmē, ka tiek garantēta drošība.
- ▶ **Iekārtā nostiprināmā instrumenta pieļaujamajam rotācijas ātrumam jābūt vismaz tikpat lielam kā uz iekārtas norādītajam maksimālajam rotācijas ātrumam.** Ja instrumentu rotācijas ātrums pārsniedz pieļaujamo, tie var salūzt un aizlidot.
- ▶ **Iekārtā nostiprināmā instrumenta ārējam diametram un biežumam jāatbilst norādītajiem elektroiekārtas parametriem.** Instrumentus ar neatbilstīgiem parametriem nav iespējams pietiekami nosegt vai kontrolēt.
- ▶ **Maināmajiem instrumentiem ar vītnes kātu precīzi jāatbilst slīpēšanas vārpstas vītnei.** Maināmajiem instrumentiem, kas tiek montēti ar atloksavienojuma palīdzību, instrumenta atveres diametram jāatbilst atloka iestiprināšanas diametram. Darba instrumenti, kas netiek stiprināti tieši pie elektroiekārtas, var rotēt nevienmērīgi, spēcīgi vibrēt un izraisīt kontroles zudumu.
- ▶ **Nelietojiet bojātas elektroiekārtas.** Pirms katras lietošanas reizes pārbaudiet, vai nostiprinājamie instrumenti, piemēram, slīpīpām, nav atdalījušās šķembas un radušās plaisas, slīpēšanas diskem nav radušās plaisas vai izteiktas nodiluma vai nolietojuma pazīmes un stieple birstēm nav atdalījušās vai salūzušas atsevišķas stieples. Ja elektroiekārta vai nostiprināmais instruments nokrīt zemē, pārbaudiet, vai nav radušies bojājumi, un šaubu gadījumā lietojiet citu instrumentu. Pēc tam, kad esat instrumentu pārbaudījuši un nostiprinājuši iekārtā, ļaujiet iekārtai vienu minūti darboties ar maksimālo rotācijas ātrumu, nodrošinot, lai ne jūs, ne citas personas neatrastos rotējošā instrumenta kustības zonā. Ja nostiprinātais instruments ir bojāts, tas vairumā gadījumu salūst jau testa laikā.
- ▶ **Valkājiet individuālo aizsargaprīkojumu.** Atkarībā no darba veida lietojiet pilnu sejas masku, pusmasku vai aizsargbrilles. Ja nepieciešams, valkājiet masku ar putekļu filtru, ausiņas vai ausu aizbāžņus, aizsargcimdus vai speciālu priekšautu, kas pasargā no slīpēšanas putekļiem un sīkām materiāla daļiņām. Sargājiet acis no svešķermeņiem, kas dažādu darbu laikā var atdalīties



no apstrādājamā materiāla. Respiratoram vai maskai jānodrošina darba laikā radīto putekļu filtrēšana. Ilgstoša spēcīga trokšņa iedarbība var izraisīt dzirdes traucējumus.

- ▶ **Pievērsiet uzmanību tam, lai darba zonai netuvotos citi cilvēki. Visiem, kas uzturas darba zonā, jāvalkā atbilstošs individuālais aizsargaprīkojums.** Apstrādājamā materiāla šķembas vai salūzuša instrumenta daļas var apdraudēt cilvēkus arī ārpus tiešās darba veikšanas zonas.
- ▶ **Ja darba laikā pastāv iespēja, ka elektroiekārtā nostiprinātais instruments var nonākt saskarē ar aplēptiem elektriskajiem vadiem, vienmēr satveriet iekārtu tikai aiz izolētajām rokturu virsmām.** Saskaroties ar spriegumam pieslēgtiem vadiem, spriegums tiek novadīts uz iekārtas metāla daļām, radot elektrošoka risku.
- ▶ **Nekad nenolieciet iekārtu, kamēr nav pilnībā apstājusies tajā nostiprinātā instrumenta kustība.** Rotējošais instruments var saskarties ar virsmu, uz kuras novietota iekārta, un jūs zaudēsiet kontroli pār elektroiekārtu.
- ▶ **Nekādā gadījumā nepārnēsājiet iedarbinātu elektroiekārtu.** Rotējošais darba instruments var nejaūsi nonākt saskarē ar jūsu apģērbu un izraisīt traumas.
- ▶ **Regulāri izīriet elektroiekārtas ventilācijas atveres.** Motora ventilators ierauj putekļus iekārtas korpusā, tādēļ pastiprināta metāla putekļu uzkrāšanās var mazināt iekārtas elektrodrošību.
- ▶ **Nelietojiet elektroiekārtu degošu materiālu tuvumā.** Dzirktelē var izraisīt aizdegšanos.
- ▶ **Nelietojiet iekārtā darba instrumentus, kam nepieciešama dzesēšanas emulsija.** Ūdens vai citu dzesēšanas šķidrumu lietošana var kļūt par cēloni elektrošokam.

Atsitiens un ar to saistītie drošības norādījumi

Atsitiens ir negaidīta reakcija uz rotējoša instrumenta, piemēram, slīpripas, slīpripas, pulēšanas diska vai tērauda birstes u.c., iekēršanos vai nobloķēšanos. Ja instruments iekēras vai nobloķējas, nekavējoties tiek apstādināta tā rotācijas kustība. Tā rezultātā nepietiekami kontrolēta elektroiekārta tiek pakļauta straujam paātrinājuma triecienam, kas darbojas pretēji rotējošā instrumenta kustības virzienam.

Piemēram, ja slīpripa iekēras apstrādājamā materiālā vai nobloķējas, materiālā iegremdētā ripas mala var iestrēgt, izraisot slīpripas izlaušanos un radot atsitienu. Šādā gadījumā slīpripas kustība ir pavērsta pret iekārtas lietotāju vai pretējā virzienā – atkarībā no slīpripas rotācijas virziena nobloķēšanās vietā. Rezultātā slīpripa var arī salūzt.

Atsitiens ir nepareizas vai neatbilstīgas elektroiekārtu izmantošanas sekas. No tā ir iespējams izvairīties, ievērojot turpmāk aprakstītos drošības pasākumus.

- ▶ **Satveriet elektroiekārtu kārtīgi ar abām rokām un ieņemiet tādu ķermeņa pozu un turiet rokas tā, lai nepieciešamības gadījumā varētu droši reaģēt uz atsitienu spēku.** Ja iekārtai ir paredzēts papildu rokturis, tas vienmēr jālieto, lai nodrošinātu maksimālu kontroli pār eventuālo atsitienu un spēku, ko rada paātrinājums, iekārtai uzņemot apgrīzeņus. Ja iekārtas lietotājs veic atbilstošus piesardzības pasākumus, viņš spēj adekvāti reaģēt uz atsitienu un paātrinājuma spēkiem.
- ▶ **Nekādā gadījumā netuviniet rokas rotējošiem instrumentiem.** Atsitienu gadījumā instruments var savainot jūsu rokas.
- ▶ **Nostājieties tā, lai jūsu ķermenis neatrastos iespējamā atsitienu iedarbības zonā.** Elektroiekārtas piedziņa instrumenta nobloķēšanās gadījumā izraisīs slīpripas atsitienu pretēji tās kustības virzienam.
- ▶ **Īpaša piesardzība jāievēro, strādājot asu šķautņū un stūru tuvumā u.tml. vietās. Nepieļaujiet iespēju, ka iekārtā nostiprinātais instruments var atsisties atpakaļ no apstrādājamā materiāla un iestrēgt.** Stūros, pie šķautnēm vai atsišanās gadījumā rotējošajam instrumentam piemīt tendence iestrēgt. Tā rezultātā var zust kontrole pār iekārtu vai rasties spēcīgs atsitiens.
- ▶ **Nelietojiet ķēdes zāgus vai zobainos zāgu asmeņus, kā arī no segmentiem sastāvošas dimanta slīpripas ar vairāk nekā 10 mm platām rievām.** Šādi instrumenti bieži rada atsitienu vai mazina kontroli pār elektroiekārtu.

Īpaši drošības norādījumi par slīpēšanu un abrazīvo griešanu

- ▶ **Kopā ar elektroiekārtu izmantojiet tikai konkrētai iekārtai paredzētus slīpēšanas materiālus un kopā ar tiem lietojamo drošības pārsegu.** Slīpēšanas materiālus, kas nav paredzēti konkrētajai elektroiekārtai, nav iespējams pietiekami nodrošināt, tādēļ tie var radīt bīstamas situācijas.
- ▶ **Liekta slīpripas jāuzmontē tā, lai slīpēšanas plakne nebūtu izvirzīta ārpus drošības pārsega malas.** Ja slīpripa nav uzmontēta pareizi un ir izvirzīta ārpus drošības pārsega malas, to nav iespējams aizsardzības nolūkā pietiekami aizsegt.
- ▶ **Drošības pārsegam jābūt kārtīgi nostiprinātam pie elektroiekārtas un, lai garantētu maksimālu drošību, iestatītam tā, lai iespējami neliela slīpēšanas instrumenta daļa būtu vaļējā veidā pavērsta pret iekārtas lietotāju.** Drošības pārsegs palīdz pasargāt iekārtas lietotāju no lidojošām atlūzām, nejaūšas saskares ar slīpēšanas instrumentu, kā arī dzirkstelēm, kas var izraisīt apģērba aizdegšanos.



- ▶ **Slīpēšanas materiālus drīkst izmantot tikai atļautajiem lietojuma veidiem. Piemēram: nelietojiet griezējripas slīpēšanai.** Griezējripas ir paredzētas materiāla kārtas noņemšanai ar ripas malu. Ja uz šādiem slīpēšanas materiāliem iedarbojas spēks no sāniem, tie var salūzt.
- ▶ **Izvēlētās slīpripas nostiprināšanai vienmēr izmantojiet neobjektus fiksācijas atlokus ar atbilstīgiem izmēriem un formu.** Piemēroti atloki pareizi atbalsta slīpripu un tādējādi samazina ripas salūšanas risku. Griezējripu nostiprināšanai paredzētie fiksācijas atloki var atšķīrties no citu slīpripu atloka stiprinājumiem.
- ▶ **Neizmantojiet nolietotas slīpripas, kas pirms tam izmantotas kopā ar lielākām elektroiekārtām.** Lielākā izmēra elektroiekārtu slīpripas nav paredzētas mazo elektroiekārtu lielajam rotācijas ātrumam un tādēļ var salūzt.
- ▶ **Ja jūs strādājat ar divējādi lietojamiem slīpēšanas materiāliem, vienmēr izmantojiet attiecīgajam lietojumam paredzēto drošības pārsegu.** Neatbilstīga drošības pārsega izmantošana var nenodrošināt pietiekamu aizsardzību, kā rezultātā iespējamas nopietnas traumas.

Citi īpaši drošības norādījumi par abrazīvo griešanu

- ▶ **Nepieļaujiet griezējripas nobloķēšanos un neizdariet uz to pārāk lielu spiedienu. Neveiciet pārmērīgi dziļus griezumus.** Griezējripas pārslodze palielina spēkus, kas uz to iedarbojas, un sasvēršanās vai nobloķēšanās iespēju, kā rezultātā atbilstoši palielinās arī atsitiena un slīpēšanas materiāla salūšanas risks.
- ▶ **Izvairieties uzturēties rotējošās griezējripas priekšpusē un aiz tās.** Ja jūs virzāt griezējripu apstrādājamā materiālā tieši prom no sevis, atsitiena gadījumā elektroiekārta centrālās daļes spēka iedarbībā tiks uzgrūsta jūsu virsū.
- ▶ **Ja griezējripa iestrēgst vai ja vēlaties pārtraukt darbu, izslēdziet iekārtu un turiet to mierīgi, līdz ripas rotācija pilnībā apstājas. Nekādā gadījumā nemēģiniet izvilkāt griezējripu no griezuma vietas, kamēr tā vēl rotē, jo tas var izraisīt atsitieni.** Atrodiet un novērsiet iestrēgšanas cēloni.
- ▶ **Nemēģiniet no jauna ieslēgt iekārtu, kamēr instruments atrodas materiālā. Vispirms ļaujiet griezējripai sasniegt pilnu apgriezīgu skaitu un tikai pēc tam varat uzmanīgi turpināt griezumu.** Pretējā gadījumā rīpa var iestrēgt, atlekt no apstrādājamā materiāla un izraisīt atsitieni.
- ▶ **Lai novērstu iestrēgšanas griezējripas atsitiena risku, plāksnes vai citas liela izmēra apstrādājamās detaļas atbilstoši jāatbalsta.** Liela izmēra detaļas var izlikties pašas no sava svāra. Detaļa jāatbalsta abās ripas pusēs, turklāt gan griezuma tuvumā, gan pie ārmas.
- ▶ **Ievērojiet īpašu piesardzību, izdarot "iegremdētus iegriezumus" esošās sienās vai citās nepāredezamās vietās.** Iegremdēšanas laikā griezējripa var saskarties ar gāzes vai ūdensvada caurulēm, elektroinstalācijām vai citiem iestrādātiem objektiem un izraisīt atsitieni.
- ▶ **Nemēģiniet veikt griezumus pa liektu līniju.** Griezējripas pārslodze palielina spēkus, kas uz to iedarbojas, un sasvēršanās vai nobloķēšanās iespēju, kā rezultātā atbilstoši palielinās arī atsitiena un slīpēšanas materiāla salūšanas risks, kā rezultātā iespējamas smagas traumas.

Īpaši drošības norādījumi par slīpēšanu ar smilšpapīru

- ▶ **Lietojiet tikai atbilstīgi izmēra smilšpapīru. Ievērojiet ražotāja norādījumus par smilšpapīra izmēriem.** Ja smilšpapīrs ir pārāk tālu izvirzīts pār slīpmašīnas diska malām, iespējamas traumas, kā arī diska nobloķēšanās, smilšpapīra saplīšana vai iekārtas atsitieni.

Īpaši drošības norādījumi par pulēšanu

- ▶ **Nepieļaujiet, ka darba zonā paliek jebkādas nostiprinātas pulēšanas pārsega daļas, jo īpaši stiprinājuma auklas. Ja nepieciešams, paslēpiet vai saīsiniet stiprinājuma auklu galus.** Ja nenostiprināti auklu gali sāk rotēt līdz instrumentam, tie var aizķert jūsu pirkstus vai iekerties apstrādājamajā priekšmetā.

Īpaši drošības norādījumi par darbu ar stieplu birstēm

- ▶ **Nemiet vērā, ka no stieplu birstēm arī parastas lietošanas laikā atdalās stieples gabaliņi. Nepārslogojiet stieples, izdarot uz birsti pārāk spēcīgu spiedienu.** Atdalījušies stieples gabaliņi var iedurties pilnā apgērbā un/vai ādā.
- ▶ **Ja ir paredzēts lietot drošības pārsegu, neļaujiet pārsegam nonākt saskarē ar stieplu birsti.** Diskveida un pussferiskajām birstēm piespiešanas spiediena un centrālās daļes spēku iedarbībā var palielināties diametrs.

2.3 Papildnorādījumi par drošību

Personiskā drošība

- ▶ Lietojiet izstrādājumu un tā papildaprīkojumu tikai tad, ja tas ir nevainojamā stāvoklī.
- ▶ Nekādā gadījumā nemēģiniet ietekmēt izstrādājuma vai tā papildaprīkojuma funkcijas vai to pārveidot.
- ▶ Vienmēr stingri turiet iekārtu ar abām rokām aiz šim nolūkam paredzētajiem rokturiem. Gādājiet, lai rokturi būtu sausi, tīri, nenotraipīti ar eļļu un smērvielām.



- ▶ Ja izstrādājums tiek darbināts bez putekļu nosūcēja un darba laikā veidojas liels daudzums putekļu, jāvalkā viegls elpceļu aizsardzības aprīkojums.
- ▶ Biežāk pārtrauciet darbu un izpildiet pirkstu vingrinājumus, kas uzlabo asinsriti. Ilgstoša darba gadījumā spēcīga vibrācija var radīt traucējumus pirkstu, roku vai plaukstu locītavu asinsvadu un nervu sistēmas funkcijās.
- ▶ Izvairieties no saskares ar rotējošām daļām. Ieslēdziet izstrādājumu tikai tad, kad tas atrodas darba zonā. Saskare ar rotējošām iekārtas daļām, sevišķi ar rotējošiem instrumentiem, var izraisīt traumas.
- ▶ Nekad nenolieciet elektroiekārtu, kamēr nav pilnībā apstājusies tās kustība.
- ▶ Izstrādājums nav paredzēts, lai to patstāvīgi lietotu personas ar nepietiekamām fiziskajām vai garīgajām spējām. Raugieties, lai izstrādājums nebūtu pieejams bērniem.
- ▶ Putekļi, kas rodas slīpēšanas, griešanas un urbšanas laikā, var saturēt bīstamas ķīmikālijas. Daži piemēri: svins vai krāsas uz svina bāzes; kļieģeļi, betons un citi mūra materiāli, dabīgais akmens un citi silīkātus saturoši produkti; noteiktu veidu koksne, piemēram, skābardis, ozols un ķīmiska apstrādāta koksne; azbests vai azbestu saturoši materiāli. Nosakiet ekspozīcijas līmeni, kam pakļauts iekārtas lietotājs un tuvumā esošās personas, vadoties pēc apstrādājamo materiālu bīstamības kategorijas. Veiciet nepieciešamos pasākumus, lai ekspozīcija nesasniegtu kaitīgu līmeni, piemēram, lietojiet putekļu nosūkšanas sistēmu vai piemērotus elpceļu aizsardzības līdzekļus. Vispārīgie ekspozīcijas ierobežošanas pasākumi ir šādi:
 - ▶ darbs labi vēdināmās vietās,
 - ▶ izvairīšanās no ilgstošas saskares ar putekļiem,
 - ▶ putekļu novirzīšana projām no sejas un ķermeņa,
 - ▶ aizsargapģērba valkāšana un savārtītā apģērba mazgāšana ar ūdeni un ziepēm.
- ▶ Lietotājam un tuvumā esošajām personām izstrādājuma lietošanas laikā jāvalkā acu aizsarglīdzekļi, aizsargķivere un dzirdes aizsarglīdzekļi.
- ▶ Instrumenta nomainīšanas laikā valkājiet aizsargcimdus. Saskare ar maināmo instrumentu var izraisīt grieztas traumas un apdegumus.
- ▶ Trauma risks, ko rada kritoši instrumenti un/vai piederumi. Pirms darba sākšanas pārbaudiet, vai akumulators un uzmontētais papildaprīkojums ir kārtīgi nofiksēti.
- ▶ Vienmēr raugieties, lai nebūtu nosprostotas ventilācijas atveres. Ventilācijas atveru nosprostošanās var izraisīt apdegumus!
- ▶ Ieslēdziet izstrādājumu tikai tad, kad tas ir novietots darba pozīcijā.
- ▶ Nekad nenolieciet elektroiekārtu, kamēr nav pilnībā apstājusies tās kustība.
- ▶ Ja izstrādājuma kontroles sistēma konstatē ekspluatācijas robežvērtību pārsniegšanu vai akumulatora izlādēšanos, pastāv iespēja, ka motors nenodrošinās instrumenta kustības nobremzēšanu.
- ▶ Nenostipriniet pie šī izstrādājuma jostas āķi.

Rūpīga elektroiekārtu lietošana un apkope

- ▶ Slīpripas jāuzglabā un ar tām jārikojas rūpīgi, ievērojot ražotāja norādījumus.
- ▶ Nekādā gadījumā nelietojiet izstrādājumu bez drošības pārsega.
- ▶ Nostipriniet apstrādājamo priekšmetu. Apstrādājamā priekšmeta nostiprināšanai izmantojiet skrūvspīles vai citas fiksācijas ierīces. Šādi tas būs novietots drošāk un stabilāk nekā tad, ja to turēsiet ar roku, turklāt abas rokas būs brīvas izstrādājuma vadīšanai.
- ▶ Nelietojiet griezējripas raupjajai slīpēšanai.
- ▶ Stingri pievelciet darba instrumentu un atloka stiprinājumu. Ja darba instruments un atloka stiprinājums netiek stingri pievilkti, pastāv iespēja, ka pēc izslēgšanas darba instruments iekārtas motora bromzēšanas rezultātā atdalās no vārpstas.

Elektrodrošība

- ▶ Pirms darba sākšanas pārbaudiet, vai darba zonā neatrodas neseģti elektrības vadi, gāzes vai ūdensapgādes caurules. Iekārtas ārējās metāla daļas var izraisīt elektriskās strāvas triecienu vai izraisīt eksploziju, ja darba laikā tiek bojāti elektriskie vadi, gāzes vai ūdens caurules.
- ▶ Ja bieži tiek apstrādāti elektrību vadoši materiāli, ar tiem piesārņotie izstrādājumi regulāri jānodod pārbaudīšanai **Hilti** servisā. Uz iekārtas ārējās virsmas esošie putekļi, kas ir uzkrājušies galvenokārt no vadītspējīgiem materiāliem, vai mitrums nelabvēlīgos apstākļos var izraisīt elektrisko triecienu.

Darba vieta

- ▶ Pirms laušanas vai urbšanas darbiem, kas šķērso celtnes daļas, atbilstoši jānodrošina attiecīgās celtnes daļas pretējā puse. Atlūzas var izkrist caur atveri un / vai nogāzties lejā un savainot cilvēkus.
- ▶ Nesošajās sienās vai citās būves daļās iestrādātas rievas var nelabvēlīgi ietekmēt statiku, sevišķi, ja tās skar armatūras stieņus vai atbalsta elementus. Pirms darba sākšanas jākonsultējas ar atbildīgo konstruktoru, arhitektu vai būvdarbu vadītāju.



Papildu norādījumi par drošības pārsegu lietošanu

Lai izvairītos no turpmāk aprakstītajiem riskiem, vienmēr lietojiet pareizo drošības pārsegu; skat. nodaļu: "Ripu atbilstība izmantojamajam aprīkojumam".

- ▶ Ja plakaniskai virsmas slīpēšanai tiek izmantots standarta drošības pārsegs ar priekšējo aizsargu, drošības pārsega nonākšana saskarē ar aprstrādājamo priekšmetu var izraisīt kontroles zudumu.
- ▶ Ja tiek lietota stieplu birste, kuru biežums pārsniedz maksimālo pieļaujamo biežumu, stieples var aizķerties aiz drošības pārsega un pārlūzt.
- ▶ Ja metāla griešanai ar abrazīvajām griezējriepām tiek lietots standarta drošības pārsegs, palielinās dzirkstelju un metāla daļiņu lidošanas risks un risks, ka ripas salūšanas gadījumā tās šķembas radīs apdraudējumu.
- ▶ Ja betona vai mūra griešanai un slīpēšanai tiek lietots standarta drošības pārsegs ar priekšējo aizsargu vai bez tā, pastiprināti izplatās putekļi, kā arī palielinās risks, ka var tikt zaudēta kontrole pār izstrādājumu, kas savukārt var izraisīt atsitenu.

2.4 Akumulatoru pareiza lietošana un apkope

- ▶ **Ievērojiet turpmāk izklāstītos drošības norādījumus, lai litija jonu akumulatoru lietošana neradītu apdraudējumu.** Norādījumus neievērošana var izraisīt ādas kairinājumu, smagas korozīvas traumas, ķīmiskos apdegumus, ugunsgrēku vai eksploziju.
- ▶ Lietojiet akumulatorus tikai tad, ja tie ir nevainojamā tehniskajā stāvoklī.
- ▶ Rīkojieties ar akumulatoriem uzmanīgi, lai pasargātu tos no bojājumiem un nepieļautu veselībai ļoti kaitīgu šķidrums izplūdi!
- ▶ Nekādā gadījumā nedrīkst veikt akumulatoru pārveidi vai citas neatļautas manipulācijas!
- ▶ Akumulatorus nedrīkst izjaukt, saspiest, sakarsēt virs 80 °C (176 °F) vai sadedzināt.
- ▶ Nelietojiet un nemēģiniet uzlādēt akumulatorus, kas bijuši pakļauti triecieniem vai ir bojāti citā veidā. Regulāri pārbaudiet, vai akumulatoriem nav konstatējamas bojājumu pazīmes.
- ▶ Nekādā gadījumā nelietojiet atjaunotus vai remontētus akumulatorus.
- ▶ Nekādā gadījumā nelietojiet akumulatoru vai ar akumulatoru darbināmu elektroiekārtu kā instrumentu sišanai.
- ▶ Nekādā gadījumā nepakļaujiet akumulatorus tiešiem saules stariem, augstai temperatūrai, dzirkstelēm vai atklātai liesmai. Tas var izraisīt eksploziju.
- ▶ Nepieskarieties bateriju poliem ar pirkstiem vai instrumentiem un nepieļaujiet, ka tie nonāk saskarē ar rotaslietām vai citiem priekšmetiem, kam piemīt elektriskā vadītspēja. Tas var izraisīt akumulatoru bojājumus, kā arī materiālu kaitējumu un traumas.
- ▶ Sargājiet akumulatorus no lietus un mitruma un šķidrumiem. Mitruma iekļūšana var izraisīt īssavienojumu, elektrisko triecienu, apdegumus, ugunsgrēku un eksploziju.
- ▶ Lietojiet kopā ar akumulatoru tikai tā tipam paredzētos lādētājus un elektroiekārtas. Ievērojiet attiecīgo lietošanas instrukciju norādījumus.
- ▶ Nelietojiet un neuzglabājiet akumulatoru sprādzienbīstamā vidē.
- ▶ Ja akumulators kļūst pārāk karsts, iespējams, ka tas ir bojāts. Novietojiet akumulatoru labi pārredzamā, ugunsdrošā vietā, pietiekamā atstatumā no degošiem materiāliem. Ļaujiet akumulatoram atdzist. Ja pēc stundas akumulators joprojām ir tik karsts, ka to ir grūti satvert, tas nozīmē, ka tas ir bojāts. Vērsieties servisā **Hilti** vai izlasiet dokumentu "Norādījumi par **Hilti** litija jonu akumulatoru drošību un lietošanu".



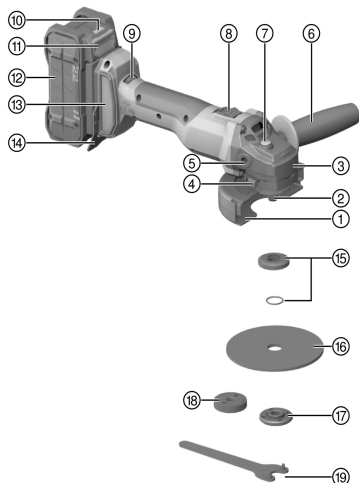
Ievērojiet īpašos norādījumus, kas attiecas uz litija jonu akumulatoru transportēšanu, uzglabāšanu un lietošanu. → Lappuse 134

Izlasiet Norādījumus par **Hilti** litija jonu akumulatoru drošību un lietošanu, kas ir pieejami, noskenējot QR kodu šīs lietošanas instrukcijas beigās.



3 Apraksts

3.1 Izstrādājuma pārskats 1



- ① Standarta drošības pārsegs
- ② Vārpsta
- ③ Rotācijas virziena bultiņa
- ④ Pārsega atbloķēšanas taustiņš
- ⑤ Ieliktnis ar vītņi rokturim
- ⑥ Sānu rokturis
- ⑦ Vārpstas bloķēšanas taustiņš
- ⑧ Ieslēgšanas un izslēgšanas slēdzis
- ⑨ Ātruma regulēšana
- ⑩ Akumulatora statusa indikācija
- ⑪ Akumulatora atbloķēšanas taustiņš
- ⑫ Akumulators
- ⑬ Putekļu filtrs
- ⑭ Dzirktēju aizsargs
- ⑮ Fiksācijas atloks ar apaļa šķērsriezuma gredzenu
- ⑯ Abrazīvā griezējripa / raupjās slīpēšanas riņa
- ⑰ Fiksācijas uzgrieznis
- ⑱ Ātrās fiksācijas uzgrieznis **Kwik lock** (opcija)
- ⑲ Fiksācijas atslēga

3.2 Nosacījumiem atbilstīga lietošana

Aprakstītais izstrādājums ir manuāli vadāma, ar akumulatoru darbināma leņķa slīpmašīna. Tā ir paredzēta metāla un minerālu materiālu abrazīvai griešanai un raupjai slīpēšanai, apstrādei ar birsti, kā arī slīpēšanai ar smilšpapīru bez ūdens pievadišanas. To drīkst lietot tikai griešanai / slīpēšanai sausā veidā.

- Lietojiet kopā ar šo izstrādājumu tikai sērijas B 22 **Hilti** litija jonu akumulatorus Nuron. Lai nodrošinātu optimālu darbības efektivitāti, **Hilti** iesaka kopā ar šo izstrādājumu lietot šīs lietošanas instrukcijas beigās iekļautajā tabulā norādītos akumulatorus.
- Lietojiet šo akumulatoru uzlādēšanai tikai šīs lietošanas instrukcijas beigās iekļautajā tabulā norādīto sēriju **Hilti** lādētājus.

3.3 Piegādes komplektācija

Leņķa slīpmašīna, sānu rokturis, standarta drošības pārsegs, priekšējais pārsegs, fiksācijas atloks, fiksācijas uzgrieznis, fiksācijas atslēga, putekļu filtrs, lietošanas instrukcija.

Citus šim izstrādājumam izmantojamus sistēmas produktus meklējiet **Hilti Store** vai tīmekļvietnē: www.hilti.group

3.4 ATC

Izstrādājums ir aprīkots ar elektronisku paātrinātas izslēgšanās funkciju ATC (Active Torque Control). Ja darba instruments nobloķējas vai iestrēgst, izstrādājums pēkšņi un nekontrolēti pagriežas pretējā virzienā. ATC identificē šo pēkšņo pagriezienu kustību un nekavējoties izslēdz izstrādājumu.



Lai izstrādājums darbotos nevainojami, nedrīkst būt traucēta tā rotācija.
Pēc izstrādājuma paātrinātas izslēgšanās izslēdziet un vēlreiz ieslēdziet to.

3.5 Motora aizsardzības funkcija

Motora aizsardzības funkcija kontrolē ieejas strāvu, kā arī motora temperatūru un pasargā izstrādājumu no pārkaršanas.

Ja pārāk liela piespiešanas spēka rezultātā notiek motora pārslodze, motora jauda ievērojami samazinās vai iekārtas darbība apstājas pavisam.



i Ja pārslodzes dēļ apstājas izstrādājuma darbība vai samazinās apgriezību skaits, atbrīvojiet izstrādājumu no slodzes un apmēram 30 sekundes darbiniet to ar tukšgaitas apgriezieniem.

3.6 Integreta bremze

Integrētā bremze samazina darba instrumenta inerces kustības laiku līdz pilnīgas apstāšanās brīdim.

i Šī funkcija darbojas tikai tikmēr, kamēr izstrādājumam tiek pievadīts barošanas spriegums. Bremzēšanas laiks atšķiras atkarībā no izvēlētā darba instrumenta.

3.7 Priekšējais aizsargs

Izmantojiet priekšējo aizsargu ar standarta drošības pārsegu šādiem lietošanas veidiem:

- raupjo slīpēšanu ar taisnām slīpripām;
- abrazīvo griešanu ar abrazīvajām griezējripām.

3.8 Putekļu pārsegs (griešanai) DC-EX 125/5" C kompaktais pārsegs (papildaprīkojums)

Minerālu materiālu abrazīvajai griešanai ar dimanta griezējripām jālieto kompaktais pārsegs DC-EX 125/5" C. Metālapstrādes darbu veikšana ar šo pārsegu ir aizliegta.

3.9 Putekļu pārsegs (griešanai) DC-EX 125/5" M (papildaprīkojums)

Minerālu materiālu abrazīvās griešanas un rievšanas darbus ar dimanta griezējripām un slīpripām drīkst veikt tikai tad, ja ir uzmontēts putekļu pārsegs.

UZMANĪBU! Apstrādājot metālus, šī pārsega lietošana ir aizliegta.

3.10 Putekļu pārsegs (slīpēšanai) DG-EX 125/5" (papildaprīkojums)

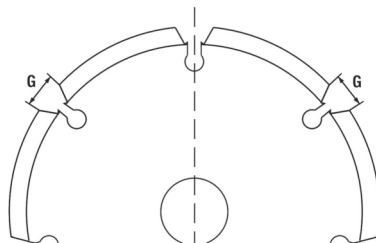
Slīpēšanas sistēma ir izmantojama, lai ar to tikai atsevišķos gadījumos slīpētu minerālus materiālus, izmantojot kausveida dimanta slīpripas.

Metālapstrādes darbu veikšana ar šo pārsegu ir aizliegta.

3.11 Piemēroto dimanta rievu iegriešanas ripu ģeometrija

Rievu griezējripas ģeometrijai jāatbilst turpmāk norādītajām prasībām.

Tehniskie parametri	
Spraugas platums starp segmentiem (G)	≤ 10 mm
Griešanas leņķis	negatīvs



3.12 Litija jonu akumulatora indikācija

Hilti litija jonu akumulatoru Nuron indikācija var informēt par akumulatora uzlādes līmeni, kļūmēm un stāvokli.

3.12.1 Uzlādes līmeņa indikācija un kļūmes paziņojumi

BRĪDINĀJUMS!

Traumu risks akumulatora nokrišanas gadījumā!

- ▶ Ja akumulators ir ievietots un tiek nospiests atbloķēšanas taustiņš, nodrošiniet, lai akumulators atkal tiktu kārtīgi nofiksēts izstrādājumā.

Lai redzētu kādu no turpmāk aprakstītajām indikācijas veidiem, īsi nospiediet akumulatora atbloķēšanas taustiņu.

Uzlādes līmeņa un varbūtējo traucējumu indikācija ir redzama arī pastāvīgi, kamēr izstrādājums ir ieslēgts.



Stass	Nozīme
Četras (4) LED konstanti deg zaļā krāsā	Uzlādes līmenis: no 100 % līdz 71 %
Trīs (3) LED konstanti deg zaļā krāsā	Uzlādes līmenis: no 70 % līdz 51 %
Divas (2) LED konstanti deg zaļā krāsā	Uzlādes līmenis: no 50 % līdz 26 %
(1) LED konstanti deg zaļā krāsā	Uzlādes līmenis: no 25 % līdz 10 %
Viena (1) LED lēni mirgo zaļā krāsā	Uzlādes līmenis: < 10 %
(1) LED ātri mirgo zaļā krāsā	Litija jonu akumulators ir pilnībā izlādējies. Uzlādējiet akumulatoru. Ja LED pēc akumulatora uzlādes joprojām ātri mirgo, vērsieties Hilti servisā.
(1) LED ātri mirgo dzeltenā krāsā	Litija jonu akumulators vai tam pievienotais izstrādājums ir pārslēgots, pārāk karsts vai pārāk auksts vai ir radies cita kļūme. Nodrošiniet, lai izstrādājums vai akumulators būtu ieteicamajā darba temperatūrā, un lietojiet izstrādājumu tā, lai tas netiktu pārslēgots. Ja indikācija nepazūd, vērsieties Hilti servisā.
Viena (1) LED konstanti deg dzeltenā krāsā	Litija jonu akumulators un ar to savienotais izstrādājums nav savā starpā saderīgi. Lūdzu, vērsieties Hilti servisā.
(1) LED ātri mirgo sarkanā krāsā	Litija jonu akumulators ir bloķēts un nav lietojams. Lūdzu, vērsieties Hilti servisā.

3.12.2 Akumulatora stāvokļa indikācijas

Lai apskatītu akumulatora stāvokļa indikāciju, turiet atbloķēšanas taustiņu nospiestu ilgāk nekā trīs sekundes. Sistēma konstatē, ka potenciālu baterijas kļūmi, ko var izraisīt neatbilstīga apiešanās, piemēram, kritiens, saduršana, ārēja karstuma iedarbība utt.

Stass	Nozīme
Visas LED deg kā skrejošā gaisma, pēc tam viena (1) LED konstanti deg zaļā krāsā.	Akumulatoru var turpināt lietot.
Visas LED deg kā skrejošā gaisma, pēc tam viena (1) LED konstanti deg dzeltenā krāsā.	Akumulatora stāvokļa informācijas nolasīšanu neizdevās pabeigt. Atkārtojiet procesu vai vērsieties Hilti servisā.
Visas LED deg kā skrejošā gaisma, pēc tam viena (1) LED konstanti deg sarkanā krāsā.	Ja pievienoto izstrādājumu var turpināt lietot, atlikusi akumulatora kapacitāte ir mazāka nekā 50 %. Ja pievienoto izstrādājumu vairs nevar lietot, akumulators ir savu laiku nokalpojis un jānomaina pret citu. Lūdzu, vērsieties Hilti servisā.

4 Patēriņa materiāli

Drīkst izmantot tikai ripas ar sintētisko sveķu saistvielu un šķiedru armējumu, kas paredzētas maks. Ø 125 mm un atļautas lietošanai ar rotācijas ātrumu vismaz 11000 apgr./min un aploces ātrumu 80 m/s.

UZMANĪBU! Veicot griešanu un rievošanu ar abrazīvajām griezējriņām, vienmēr lietojiet standarta drošības pārsegu ar papildu priekšējo aizsargu vai pilnībā noslēgtu putekļu pārsegu.

Ripas

Tips	Lietošana	Saisinājums	Virsmā	maks. biežums	maks. diametrs
Abrazīva griezējriņa	Griešana, rievošana	AC-D	metāla	2,5 mm	125 mm
Dimanta griezējriņa	Griešana, rievošana	DC-TP, DC-D (SPX, SP, P)	minerāla	3 mm	125 mm
Abrazīva raujpās slīpēšanas riņa	Raujpā slīpēšana	AG-D, AF-D, AN-D	metāla	6,4 mm	125 mm



Tips	Lietošana	Sāsinājums	Virsmā	maks. biežums	maks. diametrs
Dimanta raupjās slīpēšanas ripa	Raupjā slīpēšana	DG-CW (SPX, SP, P)	minerāla	—	125 mm
Stieplu birste	Stieplu birstes	3CS, 4CS, 3SS, 4SS	metāla	— 27 mm	75 mm 125 mm
Dimanta vainagurbis	Fližu urbšana	DD-M14	minerāla	—	125 mm
Šķiedras ripa	Raupjā slīpēšana	AP-D	metāla	—	125 mm

Ripu atbilstība izmantojamajam aprīkojumam

Poz.	Aprīkojums	AC-D	AP-D	AG-D, AF-D, AN-D	DG-CW (SPX, SP, P)	DC-TP, DC-D (SPX, SP, P)	3CS, 4CS, 3SS, 4SS, DD-M14
A	Drošības pārsegs (standarta)	✓	✓	✓	✓	✓	✓
B	Priekšējais pārsegs (kopā ar A)	✓	—	—	—	✓	—
C	Putekļu pārsegs (slīpēšanai) DG-EX 125/5"	—	—	—	✓	—	—
D	Putekļu pārsegs (griešanai) DC-EX 125/5°C (kopā ar A)	—	—	—	—	✓	—
E	Putekļu pārsegs (rievošanai) DC-EX 125/5"M	—	—	—	—	✓	—
F	Adapters DC-EX SL (kopā ar E)	—	—	—	—	✓	—
G	Sānu rokturis (standarta)	✓	✓	✓	✓	✓	✓
H	Fiksācijas uzgrieznis (standarta)	✓	—	✓	✓	✓	—
I	Fiksācijas atloks (standarta)	✓	—	✓	✓	✓	—
J	Kwik lock (opcija kopā ar H)	✓	—	✓	—	✓	—
K	Fiksācijas uzgrieznis (šķiedras ripai)	—	✓	—	—	—	—
L	Atbalsta disks (šķiedras ripai)	—	✓	—	—	—	—

5 Tehniskie parametri

	AG 4S-22-125
Nominālais spriegums	21,6 V
Nominālais apgriezienu skaits	8 500 apgr./min
Ripas maksimālais diametrs	125 mm
Svars saskaņā ar EPTA procedūru 01, bez akumulatora	2,1 kg
Piedziņas vārpstas vītne	M14
Vārpstas garums	22 mm



	AG 4S-22-125
Apkārtējā temperatūra darbības laikā	-17 °C ... 60 °C (1 °F ... 140 °F)
Uzglabāšanas temperatūra	-20 °C ... 70 °C (-4 °F ... 158 °F)

5.1 Akumulators

Akumulatora darba spriegums	21,6 V
Akumulatora svars	Skat. šīs lietošanas instrukcijas beigās
Apkārtējā temperatūra darbības laikā	-17 °C ... 60 °C (1 °F ... 140 °F)
Uzglabāšanas temperatūra	-20 °C ... 40 °C (-4 °F ... 104 °F)
Akumulatora temperatūra uzlādes sākumā	-10 °C ... 45 °C (14 °F ... 113 °F)

5.2 Informācija par troksni un svārstībām saskaņā ar 62841-2-3:2021

Šajās instrukcijās norādītie lielumi, kas raksturo skaņas spiedienu un vibrāciju, ir noteikti ar standartizētas mērījumu metodes palīdzību, un tos var izmantot elektroiekārtu savstarpējai salīdzināšanai. Tos var izmantot arī trokšņa un vibrācijas iedarbības pagaidu novērtējumam.

Norādītie parametri attiecas uz elektroiekārtas galvenajiem lietošanas veidiem. Taču, ja elektroiekārta tiek izmantota citos nolūkos, ar citiem maināmajiem instrumentiem vai netiek nodrošināta pietiekama tās apkope, parametri var atšķirties no norādītajiem. Tas var ievērojami palielināt trokšņa un vibrācijas iedarbību visā darba laikā.

Lai precīzi novērtētu iedarbību, jāņem vērā arī laiks, cik ilgi elektroiekārta ir izslēgta vai ir ieslēgta, taču faktiski netiek darbināta. Tas var būtiski samazināt iedarbību kopējā darba laikā.

Jāparedz papildu drošības pasākumi, lai aizsargātu iekārtas lietotāju pret trokšņa un/vai vibrācijas iedarbību, piemēram, elektroiekārtas un apkope, roku turēšana siltumā, darba procesu organizācija.

Slīpējot plānas skārda loksnes vai citas viegli vibrējošas konstrukcijas ar lielu virsmas laukumu, var rasties skaņas emisija, kas pārsniedz norādītās skaņas emisijas vērtības. Jūs varat samazināt radīto skaņas emisiju, veicot atbilstošus pasākumus, piemēram, piestiprinot smagus, elastīgus izolācijas paklājus. Novērtējot trokšņa iedarbības risku un izvēloties piemērotus dzirdes aizsarglīdzekļus, vienmēr ņemiet vērā šīs palielinātās vērtības.

Informācija par troksni

	AG 4S-22-125
Skaņas spiediena līmenis (L_{pA})	89 dB(A)
Skaņas spiediena līmeņa pieļaušana (K_{pA})	3 dB(A)
Skaņas jaudas līmenis (L_{WA})	97 dB(A)
Skaņas jaudas līmeņa pieļaušana (K_{WA})	3 dB(A)

Informācija par vibrāciju

Lietošana citiem darbiem, piemēram, griešanai, var izraisīt vibrācijas lielumu izmaiņas.

	AG 4S-22-125	
Virsmas slīpēšana ($a_{h,AG}$)	B 22-55	5,1 m/s ²
	B 22-255	5,4 m/s ²
Iespējamā kļūda (K)	1,5 m/s ²	



6 Sagatavošanās darbam

BRĪDINĀJUMS!

Traumu risks nejaušas iedarbošanās gadījumā!

- ▶ Pirms akumulatora ievietošanas pārliecinieties, ka attiecīgais izstrādājums ir izslēgts.
- ▶ Pirms iekārtas iestāšanās vai piederumu maiņas izņemiet no iekārtas akumulatoru.

Ievērojiet drošības norādījumus un brīdinājumus, kas atrodami šajā dokumentācijā un uz izstrādājuma.

6.1 Akumulatora uzlādēšana

1. Pirms uzlādes sākšanas izlasiet lādētāja lietošanas instrukciju.
2. Raugieties, lai akumulatora un lādētāja kontaktu virsmas ir tīras un sausas.
3. Veiciet akumulatora uzlādi atbilstīgā lādētājā. → Lappuse 124

6.2 Akumulatora ievietošana

BRĪDINĀJUMS!

Traumu risks īssavienojuma vai akumulatora nokrišanas gadījumā!

- ▶ Pirms akumulatora ievietošanas pārliecinieties, ka uz akumulatora un izstrādājuma kontaktiem neatrodas nekādi svešķermeņi.
 - ▶ Pārbaudiet, vai akumulators ir droši nofiksēts.
1. Pirms pirmās lietošanas pilnībā uzlādējiet akumulatoru.
 2. Iebīdīet akumulatoru izstrādājumā, līdz tas dzirdami nofiksējas.
 3. Pārbaudiet, vai akumulators ir droši nofiksēts.

6.3 Akumulatora izņemšana

1. Nospiediet akumulatora atbloķēšanas taustiņu.
2. Izvelciet akumulatoru no iekārtas.

6.4 Hilti pretnokrišanas aprikojuma (opcija) montāža



Strādājot ar šo izstrādājumu, obligāti jāievēro valstī spēkā esošie noteikumi par darbu augstumā. Ievērojiet lietošanas pretnokrišanas aprikojuma lietošanas instrukciju.

1. Precīzi novietojiet pretnokrišanas siksnas abas mēlītes uz dzirksteļu aizsarga.
2. Nostipriniet pretnokrišanas siksnu, ieskrūvējot atbilstīgās skrūves šim nolūkam paredzētajās dzirksteļu aizsarga atverēs.
3. Ievietojiet akumulatoru. → Lappuse 129

6.5 Nodrošinājums pret kritienu

BRĪDINĀJUMS!

Traumu risks instrumenta un/vai papildaprikojuma nokrišanas gadījumā!

- ▶ Lietojiet tikai jūsu izstrādājumam ieteikto **Hilti** instrumentu drošības virvi.
- ▶ Pirms katras lietošanas pārbaudiet, vai nav bojāts instrumentu drošības virves stiprinājuma punkts.



Ievērojiet jūsu valstī spēkā esošos noteikumus par darbu augstumā.

Aizsardzībai pret kritieniem lietojiet kopā ar šo izstrādājumu tikai **Hilti** pretnokrišanas aprikojumu #2293133 apvienojumā ar **Hilti** instrumentu drošības virvi #2261970.

- ▶ Nostipriniet pretnokrišanas aprikojumu papildaprikojumam paredzētajās montāžas atverēs. Pārbaudiet, vai fiksācija ir droša.



- ▶ Nostipriniet vienu instrumentu drošības virves karabīnes āķi pie pretnokrišanas aprīkojuma un otru karabīnes āķi – pie nesošas konstrukcijas. Pārbaudiet, vai abi karabīnes āķi ir nofiksēti droši.



Ievērojiet **Hilti** pretnokrišanas aprīkojuma un **Hilti** instrumentu drošības virves lietošanas instrukcijas.

6.6 Sānu roktura montāža

- ▶ Ieskrūvējiet sānu rokturi vienā no paredzētajiem vītņotajiem ieliktniem.

6.7 Drošības pārsega montāža un demontāža



IEVĒROT PIESARDZĪBU!

Traumu risks. Maināmais instruments var būt karsts vai ar asām malām.

- ▶ Montāžas, demontāžas, iestatīšanas un traucējumu novēršanas darbu laikā valkājiet aizsargcimdus.

- ▶ Ievērojiet attiecīgā drošības pārsega montāžas instrukciju.

6.7.1 Standarta drošības pārsega montāža 7



Drošības pārsegam ir kodēšanas tapa, kas ļauj uzmontēt tikai tādu pārsegu, kas atbilst konkrētajam izstrādājumam. Drošības pārsegs ar kodēšanas tapu nofiksējas izstrādājuma pārsega stiprinājumā.

1. Uzlieciet drošības pārsegu uz vārpstas sašaurinājuma tā, lai trīsstūra atzīmes uz iekārtas un uz pārsega būtu novietotas viena otrai pretī.
2. Uzspiediet drošības pārsegu uz vārpstas sašaurinājuma.
3. Pārvarot atsperes spēku, uzspiediet pārsegu uz vārpstas sašaurinājuma un pagrieziet to vajadzīgajā pozīcijā, līdz tas nofiksējas.
 - ▶ Pārsega atbloķēšanas poga atlec atpakaļ.

6.7.2 Standarta drošības pārsega noregulēšana

- ▶ Pārvarot atsperes spēku, uzspiediet pārsegu uz vārpstas sašaurinājuma un pagrieziet to vajadzīgajā pozīcijā, līdz tas nofiksējas.

6.7.3 Standarta drošības pārsega demontāža

1. Nospiediet pārsega atbloķēšanas taustiņu un pagrieziet pārsegu tā, lai trīsstūra atzīmes uz iekārtas un uz pārsega būtu novietotas viena otrai pretī.
2. Noņemiet drošības pārsegu.

6.8 Priekšējā aizsarga montāža un demontāža 3



Priekšējais aizsargs ir jāuzsprauž uz standarta drošības pārsega.

1. Uzlieciet priekšējo aizsargu uz standarta drošības pārsega tā, lai tā slēgtā puse būtu pavērsta uz augšu.
 - ▶ Stiprinājumam dzirdami jānofiksējas.
2. Lai demontētu priekšējo aizsargu, atveriet tā stiprinājumu.
3. Demontējiet priekšējo pārsegu no standarta drošības pārsega.

6.9 Maināmā darba instrumenta montāža un demontāža



IEVĒROT PIESARDZĪBU!

Traumu risks. Darba instruments var spēcīgi sakarst.

- ▶ Darba instrumenta nomaiņas laikā valkājiet aizsargcimdus.



- i** Dimanta slīpripas jāmaina, līdzko ievērojami samazinās griešanas vai slīpēšanas efektivitāte. Kopumā ņemot, tas parasti notiek tad, kad dimanta segmentu augstums ir kļuvis mazāks nekā 2 mm.
- Pārējo tipu ripas jāmaina, līdzko ievērojami samazinās griešanas efektivitāte vai citas leņķa slīpmašīnas daļas (izņemot slīpripi) nonāk saskarē ar apstrādājamo materiālu.
- Abrazīvās ripas jāmaina, kad beidzas to derīguma termiņš.

6.9.1 Maināmā instrumenta montāža

BRĪDINĀJUMS!

Traumu risks. Iekārtas motora bremsēšanas laikā var atbrīvoties maināmā darba instrumenta fiksācija.

- ▶ Pirms pieskarties darba instrumentam vai fiksācijas uzgriežnim, nogaidiet, līdz apstājas darba instrumenta kustība.
- ▶ Pievelciet darba instrumentu un fiksācijas atloku ar fiksācijas uzgriezni tā, lai iekārtas motora bremsēšanas laikā neviena detaļa nevarētu atdalīties no vārpstas.

1. Notīriet fiksācijas atloku un fiksācijas uzgriezni.
2. Pārbaudiet, vai apaļā šķērs griezuma blīvgredzens atrodas fiksācijas atlokā un nav bojāts.
 - ▶ Ievietojiet jaunu apaļā šķērs griezuma blīvgredzenu, ja tā nav vai tas ir bojāts.
3. Uzlieciet fiksācijas atloku uz vārpstas tā, lai tas piekļautos virsmai un nebūtu pagrozāms.
4. Uzlieciet maināmo instrumentu.
5. Pievelciet fiksācijas uzgriezni atbilstīgi lietojamajam darba instrumentam.
6. Nospiediet vārpstas bloķēšanas taustiņu un turiet to nospiestu.
7. Ar fiksācijas atslēgu pievelciet fiksācijas uzgriezni, pēc tam atlaidiet vārpstas bloķēšanas taustiņu un noņemiet fiksācijas atslēgu.

6.9.2 Maināmā instrumenta demontāža

BRĪDINĀJUMS!

Salūšanas un bojājumu risks. Ja vārpstas bloķēšanas taustiņš tiek nospiests laikā, kad vārpsta griežas, var atbrīvoties darba instrumenta fiksācija.

- ▶ Spiediet vārpstas bloķēšanas taustiņu tikai tad, kad vārpsta neatrodas kustībā.
1. Nospiediet vārpstas bloķēšanas taustiņu un turiet to nospiestu.
 2. Atbrīvojiet fiksācijas uzgriezni, uzliekot uz tā fiksācijas atslēgu un pagriežot pretēji pulksteņrādītāja kustības virzienam.
 3. Atlaidiet vārpstas bloķēšanas taustiņu un noņemiet maināmo darba instrumentu.

6.9.3 Kwik lock montāža

BRĪDINĀJUMS!

Salūšanas risks. Spēcīgs nodilums var izraisīt ātrās fiksācijas uzgriežņa **Kwik lock** salūšanu.

- ▶ Raugieties, lai ātrās fiksācijas uzgriežnis **Kwik lock** nononāktu saskarē ar apstrādājamo virsmu.
- ▶ Nelietojiet bojātu ātrās fiksācijas uzgriezni **Kwik lock**.

- i** Fiksācijas uzgriežņa vietā pēc izvēles var lietot ātrās fiksācijas uzgriezni **Kwik lock**. Tas ļauj veikt darba instrumentu nomainīšanu bez papildu instrumentu palīdzības.

1. Notīriet fiksācijas atloku un fiksācijas uzgriezni.
2. Pārbaudiet, vai apaļā šķērs griezuma blīvgredzens atrodas fiksācijas atlokā un nav bojāts.
 - ▶ Ievietojiet jaunu apaļā šķērs griezuma blīvgredzenu, ja tā nav vai tas ir bojāts.
3. Uzlieciet fiksācijas atloku uz vārpstas tā, lai tas piekļautos virsmai un nebūtu pagrozāms.
4. Uzlieciet maināmo instrumentu.
5. Līdz atdurei uzskrūvējiet ātrās fiksācijas uzgriezni **Kwik lock** uz darba instrumenta.
 - ▶ Uzskrūvētā stāvoklī ir redzams uzraksts **Kwik lock**.
6. Nospiediet un turiet nospiestu vārpstas bloķēšanas taustiņu.
7. Ar roku turpiniet spēcīgi griezt darba instrumentu pulksteņrādītāja kustības virzienā, līdz ātrās fiksācijas uzgriežnis **montāža** ir stingri pievilks.
8. Atlaidiet vārpstas bloķēšanas taustiņu.



6.9.4 Kwik lock demontāža

Ja ātrās fiksācijas uzgriezni **Kwik lock** ar roku neizdodas atskrūvēt, uzlieciēt uz ātrās fiksācijas uzgriežņa fiksācijas atslēgu un pagrieziēt fiksācijas atslēgu pretēji pulkstenrādītāja kustības virzienam. Nekādā gadījumā nelietojiet cauruļatslēgu. Neatbilstīga instrumenta izmantošana var izraisīt ātrās fiksācijas uzgriežņa **Kwik lock** bojājumus.

1. Nospiediet vārpstas bloķēšanas taustiņu.
2. Atskrūvējiēt ātrās fiksācijas uzgriezni **Kwik lock**, ar roku pagriežot to pretēji pulkstenrādītāja kustības virzienam.
3. Atlaidiēt vārpstas bloķēšanas taustiņu un noņemiēt maināmo darba instrumentu.

6.9.5 Vainagurbja montāža 11

1. Piemontējiēt sānu rokturi. → Lappuse 130
2. Piemontējiēt standarta drošības pārsegu.
3. Uzlieciēt vainagurbji un pievelciēt to ar roku.
4. Nospiediiēt vārpstas bloķēšanas taustiņu un turiiēt to nospiestu.
5. Pievelciēt vainagurbji ar atbilstīgas dakšatslēgas palīdziību.
6. Pēc tam atlaiidiēt vārpstas bloķēšanas taustiņu un noņemiēt dakšatslēgu.

6.9.6 Stieplu birstes montāža 12

1. Piemontējiēt sānu rokturi. → Lappuse 130
2. Piemontējiēt standarta drošības pārsegu.
3. Uzlieciēt stieplu birsti un pievelciēt to ar roku.
4. Nospiediiēt vārpstas bloķēšanas taustiņu un turiiēt to nospiestu.
5. Pievelciēt stieplu birsti ar atbilstīgas dakšatslēgas palīdziību.
6. Pēc tam atlaiidiēt vārpstas bloķēšanas taustiņu un noņemiēt dakšatslēgu.

6.9.7 Šķiedras ripas montāža 13

1. Piemontējiēt sānu rokturi. → Lappuse 130
2. Piemontējiēt standarta drošības pārsegu.
3. Uzlieciēt atbalsta disku un šķiedras ripu, uzskrūvējiēt un pievelciēt fiksācijas uzgriezni.
4. Nospiediiēt vārpstas bloķēšanas taustiņu un turiiēt to nospiestu.
5. Ar fiksācijas atslēgu pievelciēt fiksācijas uzgriezni.
6. Pēc tam atlaiidiēt vārpstas bloķēšanas taustiņu un noņemiēt fiksācijas atslēgu.

7 Lietošana**7.1 Ieslēgšana**

1. Nospiediiēt ieslēgšanas / izslēgšanas slēdža aizmugurējo daļu.
2. Pabidiēt ieslēgšanas / izslēgšanas slēdzi uz priekšu.
 - ▶ Motors darbojas.
3. Nobloķējiēt ieslēgšanas / izslēgšanas slēdzi.

7.2 Slīpēšana**BRĪDINĀJUMS!**

Traumu risks, Darba instruments var negaidīti nobloķēties vai iestrēgt.

- ▶ Vienmēr lietojiēt izstrādājumu kopā ar sānu rokturi un vienmēr stingri satveriiēt izstrādājumu ar abām rokām.

Neļaiidiēt darba instrumentam iestrēgt un nespiediiēt izstrādājumu ar pārmēriģu spēku.



7.3 Griešana

- ▶ Veiciet abrazīvo griešanu, ar mērenu spiedienu virzot iekārtu uz priekšu un nesašķiebjot iekārtu vai abrazīvo griezējripu (darba stāvoklī tā jātur apm. 90° leņķī pret griežamo virsmu).



Profilus un nelielas taisnstūra caurules vislabāk var pārgriezt, izdarot griezumu mazākā šķērsriezuma vietā.

7.4 Raupjā slīpēšana



BRĪDINĀJUMS!

Traumu risks. Abrazīvā griezējripa var pārplīst, un atlūzušās daļas var izraisīt traumas.

- ▶ Nekādā gadījumā nelietojiet abrazīvās griezējriņas virsmas raupjajai slīpēšanai.
- ▶ Izdarot mērenu spiedienu, kustiniet iekārtu turp un atpakaļ 5° līdz 30° leņķī attiecībā pret apstrādājamo virsmu.
 - ▶ Tādējādi apstrādājamais materiāls pārāk nesakarsīs un nemainīs krāsu, kā arī virsmā neveidosies rievās.

7.5 Izslēgšana

- ▶ Nospiediet ieslēgšanas / izslēgšanas slēdža aizmugurējo daļu.
 - ▶ Ieslēgšanas / izslēgšanas slēdzis pārvietojas izslēgšanas pozīcijā, un motors apstājas.

8 Apkope un uzturēšana



BRĪDINĀJUMS!

Traumu risks ievietota akumulatora gadījumā !

- ▶ Pirms jebkādiem apkopes un tehniskā stāvokļa uzturēšanas darbiem vienmēr izņemiet akumulatoru!



BĪSTAMI!

Izolācijas neesamība var izraisīt elektrošoku. Apstrādājot metālus ekstremālos darba apstākļos, iekārtā var iekļūt putekļi, kam piemīt elektriskā vadītspēja (piemēram, metāla vai oglekļa šķiedras putekļi), kas var labvēlīgi ietekmēt izolācijas funkcijas.

- ▶ Ekstremālos darba apstākļos lietojiet stacionāru putekļu nosūkšanas iekārtu.
- ▶ Biežāk tīriet ventilācijas atveres.

Izstrādājuma kopšana

- Uzmanīgi notīriet pielīpušos netīrumus.
- Notīriet korpusa virsmas tikai ar neredz samitrinātu drāniņu. Nelietojiet silikonu saturošus kopšanas līdzekļus, jo tie var sabojāt plastmasas daļas.
- Izstrādājuma kontaktu tīrīšanai lietojiet tīru un sausu drāniņu.

Litija jonu akumulatoru apkope

- Nekādā gadījumā nelietojiet akumulatoru ar nosprostotām ventilācijas atverēm. Uzmanīgi iztīriet ventilācijas atveres ar sausu, mīkstu birstīti.
- Nepakļaujiet akumulatoru nevajadzīgai putekļu vai netīrumu ietekmei. Nekādā gadījumā nepakļaujiet akumulatoru spēcīgam mitrumam (piemēram, nemērciet to ūdenī un neatstājiet lietū).
Ja akumulators ir samircis, rīkojieties ar to tāpat, kā jūs rīkotos ar bojātu akumulatoru. Ievietojiet to izolētā nedegošā materiāla tvertnē un vērsieties **Hilti** servisā.
- Raugieties, lai akumulators nebūtu savārtīts ar nepiederīgu eļļu un smērvielām. Raugieties, lai uz akumulatora nevajadzīgi neuzkrātos putekļi un netīrumi. Notīriet akumulatoru ar sausu, mīkstu birstīti vai tīru un sausu drāniņu. Nelietojiet silikonu saturošus kopšanas līdzekļus, jo tie var sabojāt plastmasas daļas.
Nepieskarieties akumulatora kontaktiem un neattīriet kontaktus no rūpnīcā uzklātās smērvielas.
- Notīriet korpusa virsmas tikai ar neredz samitrinātu drāniņu. Nelietojiet silikonu saturošus kopšanas līdzekļus, jo tie var sabojāt plastmasas daļas.

Uzturēšana

- Regulāri pārbaudiet visas redzamās daļas, lai pārliecinātos, ka tās nav bojātas un funkcionē nevainojami.



- Nelietojiet izstrādājumu, ja tam ir radušies bojājumi un/vai funkciju traucējumi. Nekavējoties nododiet izstrādājumu **Hilti** servisā remonta veikšanai.
- Pēc apkopes un remonta darbiem piemontējiet vietā visas aizsargierīces un pārbaudiet, vai tās darbojas nevainojami.



Lai izstrādājuma lietošana būtu droša, izmantojiet tikai oriģinālās rezerves daļas un patēriņa materiālus. Rezerves daļas, patēriņa materiālus un piederumus, kuru lietošanu kopā ar šo izstrādājumu akceptē **Hilti**, var atrast **Hilti Store** vai tīmekļvietnē: www.hilti.group

9 Iekārtu un akumulatoru transportēšana un uzglabāšana

Transportēšana



Nekontrolēta iedarbošanās transportēšanas laikā!

- ▶ Pirms iekārtu transportēšanas vienmēr izņemiet no tām akumulatorus!
- ▶ Izņemiet akumulatoru / akumulatorus.
- ▶ Nekādā gadījumā netransportējiet akumulatorus nenostiprinātā veidā, sabērtus kaudzē. Transportēšanas laikā akumulatori jāsaugā no triecieniem un vibrācijas, kā arī jāizolē no jebkādiem materiāliem, kam piemīt elektriskā vadītspēja, un citiem akumulatoriem, lai nepieļautu to nonākšanu saskarē ar citu bateriju kontaktiem un īssavienojuma rašanos. **Ievērojiet vietējos noteikumus par akumulatoru transportēšanu.**
- ▶ Akumulatorus nedrīkst sūtīt pa pastu. Ja vēlaties nosūtīt nebojātus akumulatorus, vērsieties sūtījumu piegādes uzņēmumā.
- ▶ Pirms katras lietošanas, kā arī pēc ilgākas transportēšanas pārbaudiet, vai izstrādājums un akumulatori nav bojāti.

Uzglabāšana



Neparedzami bojājumi bojātu vai izplūdušu akumulatoru dēļ!

- ▶ Pirms iekārtu novietošanas glabāšanā vienmēr izņemiet no tām akumulatorus!
- ▶ Glabājiet izstrādājumu un akumulatorus vēsā un sausā vietā. Ievērojiet temperatūras robežvērtības, kas norādītas tehnisko parametru sadaļā.
- ▶ Neglabājiet akumulatorus uz lādētāja. Pēc uzlādes procesa vienmēr noņemiet akumulatoru no lādētāja.
- ▶ Nekad neglabājiet akumulatorus saulē, uz siltuma avotiem vai aiz stikla.
- ▶ Glabājiet izstrādājumu un akumulatorus tā, lai tiem nevarētu piekļūt bērni un nepiederošas personas.
- ▶ Pirms katras lietošanas, kā arī pēc ilgākas uzglabāšanas pārbaudiet, vai izstrādājums un akumulatori nav bojāti.

10 Traucējumu novēršana

Jebkādu traucējumu gadījumā pievērsiet uzmanību akumulatora uzlādes līmeņa un traucējumu indikācijai. Skat. nodaļu **Litija jonu akumulatora indikācija**.

Ja izstrādājuma darbībā radušies traucējumi, kas nav uzskaitīti šajā tabulā vai ko jums neizdodas novērst saviem spēkiem, lūdzu, meklējiet palīdzību mūsu **Hilti** servisā.

Traucējums	Iespējamais iemesls	Risinājums
Izstrādājumu nav iespējams ieslēgt.	Akumulators ir izlādējies.	▶ Nomainiet akumulatoru un uzlādējiet tukšo akumulatoru.
Akumulators izlādējas ātrāk nekā parasti.	Ļoti zema apkārtējā temperatūra.	▶ Ļaujiet akumulatoram pamazām sasilt līdz istabas temperatūrai.
Akumulators nenofiksējas ar sadzirdamu klikšķi.	Netīrs akumulatora fiksācijas izcilnis.	▶ Notīriet fiksācijas izcilni un nofiksējiet akumulatoru vēlreiz.
Leņķa slīpmašīna vai akumulators spēcīgi sakarst.	Elektrisks defekts.	▶ Nekavējoties izslēdziet izstrādājumu, izņemiet no tā akumulatoru, vērojiet to, ļaujiet tam atdzist un vērsieties Hilti servisā.



Traucējums	Iespējamais iemesls	Risinājums
Leņķa slīpmašīna vai akumulators spēcīgi sakarst.	Aizsērējušas ventilācijas atveres	► Regulāri iztīriet ventilācijas atveres.
Nedarbojas motora bremzēšana.	Akumulators ir izlādējies.	► Nomainiet akumulatoru un uzlādējiet tukšo akumulatoru.
	Izstrādājums ir īslaicīgi pārslogots.	► Izslēdziet un vēlreiz ieslēdziet iekārtu.

11 Nokalpojušo iekārtu utilizācija

BRĪDINĀJUMS!

Traumu risks neatbilstīgas utilizācijas gadījumā! Veselības apdraudējums, izplūstot kaitīgām gāzēm un šķidrumiem.

- Bojātus akumulatorus nav atļauts nosūtīt!
- Lai nepieļautu īssavienojumus, nosedziet pieslēguma kontaktus ar materiālu, kam nepiemīt elektriskā vadītspēja.
- Utilizējiet akumulatorus tā, lai tiem nevarētu piekļūt bērni.
- Nododiet akumulatoru utilizācijai jūs apkalpojošajā **Hilti Store** vai vērsieties pie kompetentā atkritumu apsaimniekošanas uzņēmuma.

Hilti izstrādājumu izgatavošanā tiek izmantoti galvenokārt otrreiz pārstrādājami materiāli. Priekšnosacījums otrreizējai pārstrādei ir atbilstoša materiālu šķirošana. Daudzās valstīs **Hilti** pieņem nolietotās iekārtas otrreizējai pārstrādei. Lai saņemtu vairāk informācijas, vērsieties **Hilti** servisā vai pie sava pārdošanas konsultanta.



- Neizmetiet elektroiekārtas, elektroniskas ierīces un akumulatorus sadzīves atkritumos!

12 Ražotāja garantija

- Ar jautājumiem par garantijas nosacījumiem, lūdzu, vērsieties pie vietējā **Hilti** partnera.

13 Papildu informācija

Papildinformācija par lietošanu, tehniku, vides aizsardzību un materiālu otrreizējo pārstrādi ir pieejama, izmantojot šādu saiti: qr.hilti.com/manual/?id=2252233&id=2252235&id=2251374

Šī saite kvadrātkaoda veidā ir iekļauta arī dokumentācijas beigās.

Originali naudojimo instrukcija

1 Informacija apie naudojimo instrukciją

1.1 Apie šią naudojimo instrukciją

- **Įspėjimas!** Prieš pradėdami naudoti prietaisą įsitinkinkite, kad perskaitėte ir supratote prie prietaiso pridėdamą naudojimo instrukciją, įskaitant instrukcijas, saugos ir įspėjamuosius nurodymus, paveikslėlius ir specifikacijas. Svarbiausia susipažinkite su visomis instrukcijomis, saugos ir įspėjamaisiais nurodymais, paveikslėliais, specifikacijomis be sudėtinėmis dalimis ir funkcijomis. Nesilaikant šio reikalavimo, kyla elektros smūgio, gaisro ir (arba) sunkių sužalojimų pavojus. Vėlesniam naudojimui išsaugokite naudojimo instrukciją, įskaitant visas instrukcijas, saugos ir įspėjamuosius nurodymus.
- **HILTI** prietaisai yra skirti profesionalams, todėl juos naudoti, atlikti jų techninės priežiūros ir remonto darbus leidžiama tik įgaliotam, instruktuojamam personalui. Šis personalas turi būti supažindintas su visais galimais pavojais. Neinstruktuojamam personalo netinkamai arba ne pagal paskirtį naudojamas prietaisas ir jo priedai gali kelti pavojų.
- Pridėdama naudojimo instrukcija atitinka naujausią technikos lygį spausdinimo momentu. Naujausią versiją visada rasite internetu „Hilti“ prietaisų puslapyje. Sekite nuorodą arba QR kodą šioje naudojimo instrukcijoje, pažymėtą simboliu .



- Kitiems asmenims prietaisą perduokite tik kartu su šia naudojimo instrukcija.

1.2 Ženklių paaiškinimas

1.2.1 Įspėjamieji nurodymai

Įspėjamieji nurodymai įspėja apie pavojus, gresiančius eksploatuojant prietaisą. Naudojami šie signaliniai žodžiai:

PAVOJUS

PAVOJUS !

- ▶ Šis žodis vartojamas norint įspėti apie tiesiogiai gresiantį pavojų, kurio pasekmės yra sunkūs kūno sužalojimai arba žūtis.

ĮSPĖJIMAS

ĮSPĖJIMAS !

- ▶ Šis žodis vartojamas norint įspėti apie galimai gresiantį pavojų, kurio pasekmės gali būti sunkūs kūno sužalojimai arba žūtis.

ATSARGIAI

ATSARGIAI !

- ▶ Šis žodis vartojamas potencialiai pavojingai situacijai žymėti, kai yra kūno sužalojimo arba materialinių nuostolių grėsmė.

1.2.2 Naudojimo instrukcijoje naudojami simboliai

Šioje naudojimo instrukcijoje naudojami tokie simboliai:

	Laikykitės naudojimo instrukcijos
	Naudojimo nurodymai ir kita naudinga informacija
	Rodo, kad juo paženklintą medžiagą galima perdirbti
	Elektrinių prietaisų ir akumuliatorių nemesti į buitines atliekas
	Hilti Ličio jonų akumulatorius
	Hilti Kroviklis

1.2.3 Ilustracijose naudojami simboliai

Ilustracijose naudojami šie simboliai:

	Šis skaitmenys nurodo atitinkamą iliustraciją šios naudojimo instrukcijos pradžioje.
	Numeravimas nurodo darbinių veiksmų eiliškumą paveikslėlyje ir gali skirtis nuo tekste pateikto darbinių veiksmų numeravimo.
	Pozicijų numeriai naudojami paveikslėlyje Apžvalga – jie nurodo skyrelyje Prietaiso vaizdas esančių paaiškinimų numerius.
	Šiuo ženklu siekiama atkreipti ypatingą dėmesį į naudojamą šiuo prietaisu.

1.3 Specifiniai prietaiso simboliai

1.3.1 Simboliai ant prietaiso

Ant prietaiso gali būti naudojami šie simboliai:

	Dirbant užsidėti apsauginius akinius
n_0	Nominalusis tuščiosios eigos sukimosi greitis



/min	Apsisukimai per minutę
RPM	Apsisukimai per minutę
∅	Skersmuo
---	Nuolatinė srovė
	Atlikdami pjovimo darbus nenaudokite standartinio gaubto.
	Visada dirbkite abiem rankomis.
	Prietaisas palaiko NFC technologiją, suderinamą su „iOS“ ir „Android“ platformomis.
Li-Ion	Ličio jonų akumulatorius
	Niekada nenaudokite akumulatoriaus kaip smūginio įrankio.
	Saugokite, kad akumulatorius nenukristų. Nenaudokite akumulatoriaus, kuris buvo sutrenktas arba kaip nors kitaip pažeistas.

1.4 Informacija apie prietaisą

gaminiai yra skirti profesionalams, todėl juos naudoti, techniškai prižiūrėti ir remontuoti leidžiama tik įgaliotam instruktuiotam personalui. Šis personalas turi būti supažindintas su visais galimais pavojais. Neapmokyto personalo, netinkamai arba ne pagal paskirtį naudojamas prietaisas ir jo reikmenys gali kelti pavojų.

Tipas ir serijos numeris yra nurodyti firminėje duomenų lentelėje.

- Serijos numerį perkeltkite į toliau nurodytą lentelę. Kreipdamiesi su prietaisu susijusiais klausimais į mūsų atstovybę ar techninės priežiūros centrą, visada nurodykite šiuos prietaiso duomenis.

Prietaiso duomenys

Akumulatorinis kampinis šlifluoklis	AG 4S-22-125
Karta	02
Serijos Nr.	

1.5 Atitikties deklaracija

Gamintojas prisiimdama visą atsakomybę pareiškia, kad čia aprašytas prietaisas atitinka galiojančių įstatymų ir standartų reikalavimus. Atitikties deklaracijos kopiją rasite šios instrukcijos gale.

Techninė dokumentacija saugoma čia:

Hilti Entwicklungsgesellschaft mbH | Zulassung Geräte | Hiltistraße 6 | 86916 Kaufering, DE

2 Sauga

2.1 Bendrieji saugos nurodymai dirbantiems su elektriniais įrankiais

⚠️ ISPĖJIMAS Perskaitykite visus ant šio elektrinio įrankio esančius saugos nurodymus, instrukcijas, paveikslėlius ir techninius duomenis. Šių nurodymų nesilaikymas gali tapti elektros smūgio, gaisro ir / arba sunkių sužalojimų priežastimi.

Išsaugokite visus saugos nurodymus ir instrukcijas, kad galėtumėte į juos pažvelgti ateityje.

Saugos nurodymuose vartojama sąvoka „elektrinis įrankis“ apibrėžiami iš elektros tinklo maitinami elektriniai įrankiai (turintys maitinimo kabelį) ir iš akumulatoriaus maitinami elektriniai įrankiai (be maitinimo kabelio).

Sauga darbo vietoje

- **Pasirūpinkite, kad darbo vieta visada būtų švari ir gerai apšviesta.** Netvarkinga ar blogai apšviesta darbo vieta gali tapti nelaimingų atsitikimų priežastimi.
- **Nenaudokite elektrinio įrankio sprogoje aplinkoje, kurioje yra degių skysčių, dujų arba dulkių.** Veikiantys elektriniai įrankiai kibirkščiuoja, ir kibirkštys gali uždegti dulkes arba susikaupusius garus.



- ▶ Dirbdami su elektriniu įrankiu, neleiskite darbo zonoje būti vaikams ir pašaliniais asmenims. Atitraukę dėmesį nuo darbo, galite nebesuvaldyti prietaiso.

Apsauga nuo elektros

- ▶ Prietaiso maitinimo kabelio kištukas turi atitikti elektros lizdo tipą. Kištuko jokių būdu negalima keisti. Nenaudokite tarpinių kištukų kartu su elektriniais įrankiais, turinčiais apsauginį įžeminimą. Nepakeisti kištukai ir tinkami elektros lizdai mažina elektros smūgio riziką.
- ▶ Venkite kūno kontakto su įžemintais paviršiais, pvz., vamzdžiais, šildytuvais, viryklėmis ir šaldytuvais. Kai žmogaus kūnas yra įžemintas, padidėja elektros smūgio tikimybė.
- ▶ Elektrinius įrankius saugokite nuo lietaus ir drėgmės. Į elektrinį įrankį patekus vandens, padidėja elektros smūgio rizika.
- ▶ Nenaudokite elektros maitinimo kabelio ne pagal paskirtį, t. y. neneškite elektrinio įrankio paėmę už kabelio, nekabinkite jo ant kabelio, netraukite už kabelio, norėdami ištraukti kištuką iš elektros lizdo. Elektros maitinimo kabelį saugokite nuo karščio, alyvos, aštrių briaunų ar judančių dalių. Pažeisti arba susipynę elektros maitinimo kabeliai didina elektros smūgio riziką.
- ▶ Jei su elektriniu įrankiu dirbate lauke, naudokite tik tokius ilginimo kabelius, kurie tinka ir lauko darbams. Naudojant lauko darbams tinkančius ilginimo kabelius, mažėja elektros smūgio rizika.
- ▶ Jeigu elektrinio įrankio naudojimo drėgnoje aplinkoje negalima išvengti, į elektros tinklą jįjunkite per apsauginę nuotėkio relę. Apsauginė nuotėkio relė mažina elektros smūgio riziką.

Žmonių sauga

- ▶ Dirbdami su elektriniu įrankiu, būkite atidūs, sutelkite dėmesį į darbą ir vadovaukitės sveika nuovoka. Elektrinio įrankio nenaudokite, jeigu esate pavargę arba apsaugę nuo narkotinių medžiagų, alkoholio ar vaistų. Neatidumo akimirka dirbant su elektriniu įrankiu gali tapti rimtų sužalojimų priežastimi.
- ▶ Naudokite asmenines apsaugos priemones ir visuomet užsidėkite apsauginius akinius. Naudojant asmenines apsaugos priemones, pvz., respiratorių, neslystančius apsauginius batus, apsauginį šalną, ausines ir kt., priklausomai nuo elektrinio įrankio tipo ir naudojimo, mažėja rizika susižaloti.
- ▶ Saugokitės, kad neįjungtumėte prietaiso atsitiktinai. Prieš prijungdami prie elektros maitinimo tinklo, įdėdami akumuliatorių, imdami į rankas ar nešdami, įsitikinkite, kad elektrinis įrankis yra išjungtas. Jeigu nešdami elektrinį įrankį pirštą laikysite ant jungiklio arba įrankį įjungsite į elektros tinklą tuomet, kai jungiklis nėra išjungtas, gali įvykti nelaimingas atsitikimas.
- ▶ Prieš įjungdami elektrinį įrankį, pašalinkite iš jo reguliavimo įrankius ar veržlinius raktus. Besisukančioje prietaiso dalyje esantis įrankis ar paliktas raktas gali tapti sužalojimų priežastimi.
- ▶ Venkite nepatogių kūno padėčių. Dirbdami stovėkite tvirtai ir visada išlaikykite kūno pusiausvyrą. Taip galėsite geriau kontroliuoti elektrinį įrankį netikėtose situacijose.
- ▶ Vilkėkite tinkamą aprangą. Nevilkėkite plačių drabužių, nesidėkite papuošalų. Saugokite plaukus, drabužius ir pirštines nuo besisukančių prietaiso dalių. Laisvus drabužius, papuošalus ir ilgus plaukus gali įtraukti besisukančios prietaiso dalys.
- ▶ Jei yra numatyta galimybė prijungti dulkių nusiurbimo ar surinkimo įrenginius, visada įsitikinkite, kad jie yra prijungti ir tinkamai naudojami. Naudojant dulkių nusiurbimo įrenginį, gali sumažėti dulkių keliama grėsmė.
- ▶ Neturėkite iliuzijų, kad visada esate saugūs, ir, skaitydami naudojimo instrukcijas, nepraleiskite skyrelių apie saugų darbą su elektriniais įrankiais, net jeigu per ilgus naudojimo metus esate su savo elektriniu įrankiu susipažinę. Neatsargus veiksmai per sekundės dalį gali tapti sunkių sužalojimų priežastimi.

Elektrinio įrankio naudojimas ir elgesys su juo

- ▶ Prietaiso neperkraudkite. Naudokite Jūsų darbai tinkamą elektrinį įrankį. Su tinkamu elektriniu įrankiu dirbsite geriau ir saugiau, jei neviršysite nurodytos galios.
- ▶ Nenaudokite elektrinio įrankio su sugedusiu jungikliu. Elektrinis įrankis, kurio nebegalima įjungti ar išjungti, yra pavojingas ir jį reikia remontuoti.
- ▶ Prieš prietaisą nustatydami, keisdami reikmenis ar tiesiog padėdami į šalį, visuomet ištraukite maitinimo kabelio kištuką iš elektros lizdo ir / arba iš prietaiso išimkite akumuliatorių. Ši atsargumo priemonė leis išvengti netikėto elektrinio įrankio įsijungimo.
- ▶ Nenaudojamus elektrinius įrankius saugokite vaikams nepasiekiamoje vietoje. Neleiskite prietaisu naudotis asmenims, kurie nėra su juo susipažinę arba nėra perskaitę šios instrukcijos. Elektriniai įrankiai yra pavojingi, kai juos naudoja patirties neturintys asmenys.
- ▶ Elektrinius įrankius ir reikmenis rūpestingai prižiūrėkite. Tikrinkite, ar judančios elektrinio įrankio dalys tinkamai funkcionuoja ir niekur nekliūva, ar nėra sulūžusių ir pažeistų dalių, kurios blogintų įrankio veikimą. Prieš naudojimą pažeistos prietaiso dalys turi būti suremontuotos. Blogai prižiūrimi elektriniai įrankiai yra daugelio nelaimingų atsitikimų priežastis.



- ▶ **Pjovimo įrankiai visuomet turi būti aštrūs ir švarūs.** Rūpestingai prižiūrėti pjovimo įrankiai su aštriomis pjovimo briaunomis mažiau stringa ir yra lengviau valdomi.
- ▶ **Elektrinį įrankį, reikmenis, keičiamuosius įrankius ir t. t. naudokite pagal šias instrukcijas. Taip pat atsižvelkite į darbo sąlygas ir atliekamo darbo pobūdį.** Elektrinius įrankius naudojant ne pagal paskirtį, gali kilti pavojingos situacijos.
- ▶ **Prižiūrėkite rankenas, kad jos ir jų laikymo paviršiai visada būtų sausi, švarūs ir neriebaluoti.** Slidžios rankenos ir jų laikymo paviršiai negali užtikrinti elektrinio įrankio saugaus naudojimo ir valdymo kontrolės nenumatytose situacijose.

Akumulatorinio įrankio naudojimas ir elgesys su juo

- ▶ **Akumulatoriams įkrauti naudokite tik tuos kroviklius, kuriuos rekomenduoja gamintojas.** Kroviklį, tinkantį tik nurodytiems akumuliatorių tipams, naudojant kitiems akumulatoriams įkrauti, kyla gaisro pavojus.
- ▶ **Elektriniuose įrankiuose naudokite tik konkrečiai jiems skirtus akumulatorius.** Naudojant kitokius akumulatorius, kyla pavojus susižaloti ir sukelti gaisrą.
- ▶ **Nenaudojamo akumulatoriaus nelaikykite šalia sąvaržėlių, monetų, raktų, vinių, varžtų ar kitokių smulkių metalinių daiktų, kurie galėtų trumpai sujungti akumulatoriaus kontaktus.** Trumpai sujungus akumulatoriaus kontaktus, yra pavojus nusideginti ar sukelti gaisrą.
- ▶ **Netinkamai naudojant akumuliatorių, iš jo gali ištekėti skystis. Venkite kontakto su šiuo skysčiu. Jei skystis atsitiktinai pateko ant odos, nuplaukite ją vandeniu, jei pateko į akis - gerai praplaukite jas vandeniu ir nedelsdami kreipkitės į gydytoją.** Akumulatoriaus skystis gali sudirginti arba chemiškai nudeginti odą.
- ▶ **Nenaudokite pažeisto arba perdirbto akumulatoriaus.** Pažeisti arba perdirbti akumulatoriai gali funkcionuoti nenumatyta, todėl gali kelti gaisro, sprogo ar sužalojimų pavojų.
- ▶ **Akumuliatorių saugokite nuo ugnies ir per aukštos temperatūros.** Ugnies arba didesnės kaip 130 °C (265 °F) temperatūros veikiamas akumuliatorius gali sprogti.
- ▶ **Laikykites visų įkrovimo instrukcijų ir akumuliatorių arba akumulatorinį įrankį visada įkraukite tik eksploatacijoje nurodytame temperatūrų diapazone.** Netinkamas įkrovimas arba įkrovimas už leistino temperatūrų diapazono ribų gali sugadinti akumuliatorių ir padidinti gaisro pavojų.

Techninė priežiūra

- ▶ **Savo elektrinį įrankį patikėkite remontuoti tik kvalifikuotam specialistui, tam jis turi naudoti tik originalias atsargines dalis.** Taip galima užtikrinti, kad bus išlaikytas prietaiso naudojimo saugumas.
- ▶ **Niekada nevykdyskite pažeistų akumuliatorių techninės priežiūros.** Bet kokią akumuliatorių techninę priežiūrą leidžiama vykdyti tik gamintojui arba įgaliotoms klientų aptarnavimo įmonėms.

2.2 Saugos nurodymai visiems darbams

Bendrieji saugos nurodymai, vykdant šlifavimo, šlifavimo švitriniumi popieriumi darbus, naudojant vielinius šepetčius, poliruojant ir atliekant abrazyvinį pjovimą:

- ▶ Šis elektrinis įrankis turi būti naudojamas kaip šlifuoklus, vielinis šepetys, poliravimo mašina, šlifavimo švitriniumi popieriumi mašina, skylių pjovimo mašina ir abrazyvinio pjovimo mašina. **Atkreipkite dėmesį į visus saugos nurodymus, instrukcijas, iliustracijas ir duomenis, kuriuos gaunate kartu su prietaisu.** Šių nurodymų nepaisant, kyla elektros smūgio, gaisro ir / arba sunkių sužalojimų pavojus.
- ▶ **Nepermontuokite elektrinio įrankio taip, kad jis veiktų tokiu būdu, kuriam įrankio gamintojas specialiai neskyrė ir kurio nenurodė.** Dėl tokio permontavimo galima nesuvaldyti įrankio ir sunkiai sužeisti asmenis.
- ▶ **Nenaudokite reikmenų, kurių gamintojas specialiai nesukūrė ir neleido naudoti šiam elektriniam įrankiui.** Vien tai, kad prie Jūsų elektrinio įrankio galima pritvirtinti reikmenį, negarantuoja jo saugaus naudojimo.
- ▶ **Keičiamojo įrankio leistinas sukimosi greitis turi būti bent jau ne mažesnis už ant elektrinio įrankio nurodytą didžiausią sukimosi greitį.** Reikmuo, kuris sukasi greičiau nei leistina, gali trūkti ir pasklisti į šalis.
- ▶ **Keičiamojo įrankio išorinis skersmuo ir storis turi atitikti elektrinio įrankio duomenis.** Netinkamų matmenų keičiamųjų įrankių negalima pakankamai apsaugoti ir kontroliuoti.
- ▶ **Keičiamieji įrankiai su srieginiu įdėklų turi tiksliai atitikti šlifavimo mašinos veleno sriegį. Kai keičiamieji įrankiai montuojami naudojant jungę, įrankio skylės skersmuo turi atitikti jungės tvirtinimo vietos skersmenį.** Elektriniame įrankyje netinkamai įtvirtinti keičiamieji įrankiai sukasi netolygiai, stipriai vibruoja, todėl naudotojas gali elektrinio įrankio nebesuvaldyti.
- ▶ **Nenaudokite sugadintų keičiamųjų įrankių. Prieš kiekvieną keičiamojo įrankio, pavyzdžiui, šlifavimo disko arba šlifavimo lėkštės naudojimą patikrinkite, ar jie nenuskilę ir neįtrūkę, nėra sudilę arba**



smarkiai susidėvėję, taip pat patikrinkite, ar vielinių šepėčių vielos nėra atspalaidavusios ar sulūžusios. Jei elektrinis įrankis arba keičiamasis įrankis nukrito, patikrinkite, ar jis nepažeistas arba naudokite nepažeistą keičiamąjį įrankį. Patikrinę ir sumontavę keičiamąjį įrankį, leiskite prietaisui vieną minutę sukis maksimaliu greičiu; tuo metu nestovėkite patys ir neleiskite būti kitiems asmenims besisukančio keičiamojo įrankio plokštumoje. Pažeisti keičiamieji įrankiai paprastai trūksta būtent šiuo laikotarpiu.

- ▶ **Naudokite asmenines apsaugos priemones. Priklausomai nuo naudojimo pobūdžio, užsidėkite veidą saugančią kaukę, akių apsaugos priemonę arba apsauginius akinius. Naudokite respiratorių, ausines, apsaugines pirštines arba specialią prijuostę, apsaugančius nuo šlifuojant atskylančių mažų medžiagos dalelių.** Akys turi būti apsaugotos nuo skriejančių svetimkūnių, kurių būna prietaisu vykdant bet kokius darbus. Dulkių kaukės ar respiratoriai turi filtruoti dirbant kylančias dulkes. Ilgą laiką dirbdami triukšmingoje aplinkoje, galite pakenkti klausai.
- ▶ **Atkreipkite dėmesį, kad kiti asmenys būtų saugiu atstumu nutolę nuo Jūsų darbo zonos. Kiekvienas į darbo zoną įžengiantis asmuo turi naudoti asmenines apsaugos priemones.** Ruošinio dalelės arba sulūžusio keičiamojo įrankio nuolaužos gali būti išsviestos tolyn ir sužaloti žmones, esančius už darbo zonos ribų.
- ▶ **Jeigu vykdant darbus keičiamasis įrankis gali paliesti paslėptus elektros laidus, elektrinį įrankį laikykite tik paėmę už izoliuotų rankenų paviršių.** Dėl kontakto su laidais, kuriais teka elektros srovė, metalinėse prietaiso dalyse taip pat gali atsirasti įtampa, todėl kyla elektros smūgio pavojus.
- ▶ **Nedėkite elektrinio įrankio ant žemės ar kito paviršiaus tol, kol keičiamasis įrankis visiškai nesustos.** Besisukantis keičiamasis įrankis gali paliesti paviršių, todėl elektrinio įrankio galite nebesuvaldyti.
- ▶ **Išjunkite elektrinį įrankį, kai jį nešate iš vienos vietos į kitą.** Besisukantis keičiamasis įrankis gali pagriebti Jūsų drabužius ir sužaloti Jūsų kūną.
- ▶ **Reguliariai valykite elektrinio įrankio vėdinimo plyšius.** Variklio ventiliatorius įsiburia į prietaiso korpusą dulkių; dėl per didelių metalo dulkių sankaupų prietaisas gali tapti elektriškai nesaugus.
- ▶ **Nenaudokite elektrinio įrankio netoli degių medžiagų.** Kibirkštys šias medžiagas gali uždegti.
- ▶ **Nenaudokite keičiamųjų įrankių, kuriuos reikia aušinti aušinio skysčiais.** Naudojant vandenį arba kitus aušinio skysčius, kyla elektros smūgio pavojus.

Atatranka ir atitinkami saugos nurodymai

Atatranka yra staigi prietaiso reakcija į besisukančio keičiamojo įrankio, kaip šlifavimo disko, šlifavimo lėkštės, vielinio šepėčio ir t. t. įstrigimą arba užsiblokavimą. Dėl strigimo arba blokavimo besisukantis keičiamasis įrankis staiga sustoja. Todėl nevaldomas elektrinis įrankis blokavimo vietoje pajuda priešinga keičiamojo įrankio sukimuisi kryptimi.

Jei šlifavimo diskas ruošinyje įstringa arba užsiblokuoja, ruošinyje esanti disko briauna gali pakrypti ir lūžti arba sukelti atatranką. Tada šlifavimo diskas ima judėti nuo naudotojo arba jo link, priklausomai nuo disko sukimosi krypties blokavimo vietoje. Tokiu atveju šlifavimo diskas taip pat gali trūkti.

Atatrankos jėga atsiranda dėl netinkamo elektrinio įrankio naudojimo. Jos galima išvengti naudojant tinkamas, toliau aprašomas atsargumo priemones.

- ▶ **Elektrinį įrankį laikykite tvirtai abiem rankomis; Jūsų kūnas ir rankos turi būti tokioje padėtyje, kad atlaikytumėte atatrankos jėgas. Jei yra, visuomet naudokite papildomą rankeną, kad galėtumėte užtikrintai kontroliuoti atatrankos jėgas ar reakcijos momentą prietaiso variklio paleidimo metu.** Naudotojas gali valdyti atatrankos ir reakcijos jėgas, jei naudoja reikiamas atsargumo priemones.
- ▶ **Prie besisukančio keičiamojo įrankio niekada nekiškite rankos.** Atatrankos metu keičiamasis įrankis gali sužaloti Jūsų ranką.
- ▶ **Nebūkite tokioje vietoje, į kurią elektrinis įrankis pajudėtų atatrankos metu.** Atatrankos jėga stumia elektrinį įrankį priešinga šlifavimo disko sukimosi blokavimo taške kryptimi.
- ▶ **Ypač atsargiai dirbkite kampuose, ties aštriomis briaunomis ir t. t. Saugokite, kad keičiamasis įrankis neatšoktų nuo ruošinio ir neįstrigtų.** Besisukantis keičiamasis įrankis paprastai stringa apdirbant kampus, aštrias briaunas arba nuo jų atšokęs. Dėl to prietaisas gali tapti nebevaldomas arba gali kilti atatranka.
- ▶ **Nenaudokite grandininio ar dantyto pjovimo disko, taip pat segmentuoto deimantinio disko su platenėmis kaip 10 mm išpjovomis.** Dėl tokių keičiamųjų įrankių dažnai atsiranda atatrankos jėga arba elektrinis įrankis tampa nebevaldomas.

Specialūs saugos nurodymai vykdantiems šlifavimo ir abrazyvinio pjaustymo darbus

- ▶ **Naudokite tik Jūsų elektriniam įrankiui aprobuotus šlifavimo diskus ir jiems skirtą apsauginį gaubtą.** Jei naudojami elektriniam įrankiui netinkantys šlifavimo diskai, gaubtas negali jų pakankamai apsaugoti.
- ▶ **Profiliuoti šlifavimo diskai turi būti montuojami taip, kad jų šlifuojantis paviršius neišsikištų už apsauginio gaubto krašto.** Netinkamai sumontuoto, už apsauginio gaubto krašto išsikišusio šlifavimo disko neįmanoma tinkamai apsaugoti gaubtu.



- ▶ **Apsauginis gaubtas turi būti patikimai pritvirtintas prie elektrinio įrankio ir, siekiant maksimalaus saugumo, nustatytas taip, kad kiek galima mažesnė neapsaugoto šlifavimo įrankio dalis būtų atsukta į naudotoją.** Apsauginis gaubtas padeda apsaugoti naudotoją nuo nuolaužų, netyčinio prisilietimo prie šlifavimo disko ir kibirkščių, kurios gali uždegti drabužius.
- ▶ **Šlifavimo diskai turi būti naudojami tik leistiniems darbams vykdyti. Pavyzdžiui, niekada nešlifaukite pjaustymo disko šoniniu paviršiumi.** Pjaustymo diskai yra skirti medžiagai perpjauti disko briauna. Šoninės jėgos tokį šlifavimo diską gali sulaužyti.
- ▶ **Pasirinktam šlifavimo diskui visada naudokite nepažeistas tinkamo dydžio ir formos fiksavimo junges.** Tinkamos jungės atremia šlifavimo diską ir dėl to sumažėja šlifavimo disko lūžimo tikimybė. Pjaustymo diskų jungės gali skirtis nuo jungių, skirtų kitiems šlifavimo diskams.
- ▶ **Nenaudokite sudilusių šlifavimo diskų, skirtų didesniems elektriniams įrankiams.** Didesnių elektrinių įrankių šlifavimo diskų leistinas sukimosi greitis yra mažesnis už mažesnių elektrinių įrankių sukimosi greitį, todėl tokie diskai gali trūkti.
- ▶ **Visada naudokite atitinkamam darbiui numatytą apsauginį gaubtą, jei naudojate šlifavimo diskus, kuriuos galima naudoti du kartus.** Naudojant netinkamą apsauginį gaubtą, neužtikrinama pakankamos apsaugos, dėl ko galima sunkiai susižeisti.

Kiti specialūs saugos nurodymai vykdantiems abrazyvinio pjaustymo darbus

- ▶ **Saugokite pjaustymo diską nuo užsiblokavimo arba per didelės spaudimo jėgos. Nepjaukite per giliai.** Perkrautas pjaustymo diskas gali deformuotis arba užsiblokuoti, gali atsirasti atatrunkos jėga arba diskas gali sulūžti.
- ▶ **Venkite būti zonose prieš besisukančią pjaustymo diską ir už jo.** Jei ruošinyje pjaustymo diską stumiate nuo savęs, atatrunkos atveju elektrinis įrankis kartu su besisukančiu disku gali būti išmestas Jūsų link.
- ▶ **Jei pjaustymo diskas stringa arba nutraukiate darbą, išjunkite prietaisą ir ramiai palaukite, kol diskas visiškai sustos. Niekada nebandykite dar tebesisukančio pjaustymo disko ištraukti iš pjūvio, nes galite sukelti atatranką.** Nustatykite ir pašalinkite disko strigimo priežastis.
- ▶ **Elektrinio įrankio vėl neįjunkite tol, kol diskas yra ruošinyje. Leiskite pjaustymo diskui pasiekti darbinį sukimosi greitį ir tik tada atsargiai tęskite pjovimą.** Priešingu atveju diskas gali užsikabinti, iššokti iš ruošinio ar sukelti atatranką.
- ▶ **Plokštes arba didelių matmenų ruošinius atremkite, kad, pjaustymo diskui užstrigus, sumažėtų atatrunkos tikimybė.** Dideli ruošiniai dėl savo svorio gali įlįkti. Ruošinį reikia paremti iš abiejų disko pusių, tiek ties pjovimo plyšiu, tiek ir kraštuose.
- ▶ **Būkite ypač atsargūs vykdydami įleidžiamuosius pjūvius sienose arba kitose blogai matomose vietose.** Pjaustymo diskai gali įsijpauti į dujų ar vandentiekio vamzdžius, elektros laidus ar kitus objektus, kurie gali sukelti atatranką.
- ▶ **Nebandykite pjauti kreivėmis.** Perkrautas pjovimo diskas gali deformuotis arba užsiblokuoti, gali atsirasti atatrunkos jėga arba diskas gali sulūžti, dėl ko galima sunkiai susižaloti.

Specialūs saugos nurodymai vykdantiems šlifavimo švitrinio popieriumi darbus

- ▶ **Naudokite tik tinkamo dydžio šlifavimo lapus. Laikykitės gamintojo nurodymų dėl šlifavimo lapų dydžio.** Už šlifavimo lėkštės per daug išsikišantys šlifavimo lapai gali suplyšti, sužaloti, sukelti blokavimą arba atatranką.

Specialūs saugos nurodymai vykdantiems poliravimo darbus:

- ▶ **Kontroliuokite, kad nebūtų laisvos jokios poliravimo gaubto dalys, ypač tvirtinimo siūlai. Tvirtinimo siūlus paslėpkite arba sutrumpinkite.** Palaiddi, kartu su įrankiu besisukantys tvirtinimo siūlai gali pagriebti Jūsų pirštus arba patekti tarp įrankio ir ruošinio.

Specialūs saugos nurodymai dirbantiems su vieliniais šepčiais

- ▶ **Atkreipkite dėmesį, kad net įprastai naudojamas vielinis šepetys praranda vielutes. Per didele spaudimo jėga neperkraukite šepčio vielos.** Išsviestos vielutės gali lengvai prasiskverbti per plonus drabužius ir įsmigti į Jūsų odą.
- ▶ **Jei nurodyta naudoti apsauginį gaubtą, saugokite, kad šis nesiliestų su vieliniu šepčiu.** Dėl spaudimo ir išcentrinį jėgų gali padidėti lėkštės ir dubens formos šepčių skersmuo.

2.3 Papildomi saugos nurodymai

Žmonių sauga

- ▶ Prietaisą ir reikmenis naudokite tik tada, kai jie yra techniškai tvarkingi.
- ▶ Prietaisą ir reikmenis draudžiama keisti ar atlikti kitokius jų pakeitimus.
- ▶ Prietaisą visada laikykite tvirtai, abiem rankomis paėmę už tam skirtų rankenų. Rankenas prižiūrėkite – jos visada turi būti sausas, švarios ir netepaluotos.
- ▶ Jeigu prietaisą naudojate be dulkių nusiurbimo įrenginio, dirbdami dulkes keliančius darbus užsidėkite lengvą respiratorių.



- ▶ Dažnai darykite pertraukas ir pratimus, užtikrinančius geresnę Jūsų pirštų kraujotaką. Dirbant ilgesnį laiką, vibracijos gali sukelti pirštų, plaštakos ar riešo sąnario kraujagyslių ar nervų sistemos pažeidimus.
- ▶ Venkite liesti besisukančias prietaiso dalis. Prietaisą įjunkite tik darbo vietoje. Liečiant besisukančias dalis, o ypač besisukančius įrankius, kyla sužalojimų pavojus.
- ▶ Prieš prietaisą padėdami, palaukite, kol jis visiškai sustos.
- ▶ Prietaisas nėra skirtas naudoti fiziškai silpniems neinstrukuotiems asmenims. Prietaisą laikykite vaikams neprieinamoje vietoje.
- ▶ Šlifuojant, pjaustant ir gręžiant kylančiose dulkėse gali būti pavojingų cheminių medžiagų. Štai keli pavyzdžiai: švinas ar dažai švino pagrindu; plytos, betonas ir kiti mūro statiniai, natūralus akmuo ir kiti gaminiai, kurių sudėtyje yra silikato; tam tikra mediena, ažuolas, bukas ir chemiškai apdorota mediena; asbestas arba medžiagos, kurių sudėtyje yra asbesto. Naudodamiesi medžiagų, su kuriomis dirbama, pavojingumo klase, nustatykite poveikį dirbančiajam ir aplink esantiems asmenims. Imkitės būtinų priemonių, užtikrinančių, kad poveikis liktų saugiam lygmenyje, pvz., naudokite dulkių surinkimo sistemą arba dėvėkite tinkamas kvėpavimo apsaugos priemones. Prie bendrųjų priemonių, skirtų poveikiui sumažinti, priskiriama:
 - ▶ darbas gerai vėdinamoje srityje;
 - ▶ ilgesnio kontakto su dulėmis vengimas;
 - ▶ dulkių nuvedimas nuo veido ir kūno;
 - ▶ apsauginių drabužių dėvėjimas ir užterštų vietų nuplovimas vandeniu ir muilu.
- ▶ Naudojant gaminį, naudotojas ir netoliese esantys asmenys turi naudoti akių apsaugą, apsauginį šalną ir klausos organų apsaugos priemones.
- ▶ Keisdami įrankį mūvėkite apsaugines pirštines. Liesdami keičiamąjį įrankį, galite susipjaustyti ir nusideginti rankas.
- ▶ Sužalojimo pavojus dėl žemyn krentančių įrankių ir / arba priedų. Prieš pradėdami dirbti patikrinkite, kad akumulatorius ir sumontuotas priedas būtų patikimai pritvirtinti.
- ▶ Užtikrinkite, kad vėdinimo plyšiai visada būtų atviri. Nudėgimo pavojus dėl uždengtų vėdinimo plyšių!
- ▶ Prietaisą įjunkite tik tada, kai jį nustatėte į darbinę padėtį.
- ▶ Prieš prietaisą padėdami, palaukite, kol jis visiškai sustos.
- ▶ Jeigu prietaisas aptiks, kad yra viršyti jo eksploataciniai parametrai arba yra išsikrovęs akumulatorius, gali būti, jog variklis įrankio nestabdys.
- ▶ Prie šio prietaiso netvirtinkite diržo kablo.

Atsargus elektrinių įrankių naudojimas ir elgesys su jais

- ▶ Šlifavimo diskus naudokite ir saugokite rūpestingai, vadovaudamiesi gamintojo instrukcijomis.
- ▶ Niekada nenaudokite prietaiso be apsauginio gaubto.
- ▶ Apdirbamus ruošinius įtvirtinkite. Apdirbamiems ruošiniams įtvirtinti naudokite spaustuvus arba veržtuvus. Taip saugiau, nei laikyti juos ranka, be to, abiem laisvomis rankomis valdyti prietaisą daug patogiau.
- ▶ Abrazyvinių pjovimo diskų nenaudokite grubiajam šlifavimui.
- ▶ Keičiamąjį įrankį ir jungę tvirtai priveržkite. Jeigu keičiamasis įrankis ir jungė bus nepakankamai stipriai priveržti, kils pavojus, kad prietaisą išjungus ir stabdant varikliu, keičiamasis įrankis atsilaisvins nuo veleno.

Apsauga nuo elektros

- ▶ Prieš pradėdami dirbti, patikrinkite, ar darbo zonoje nėra paslėptų elektros laidų, dujų ar vandentiekio vamzdžių. Netyčia pažeidus elektros kabelį, dujų ar vandens vamzdį, išorinėse metalinėse prietaiso dalyse taip pat gali atsirasti įtampa, kelianti elektros smūgio pavojų, arba gali išskilti sprogo pavojus.
- ▶ Užterštus prietaisus, jei juos dažnai naudojate elektrai laidžioms medžiagoms apdirbti, reguliariai tikrinkite Hilti techniniame centre. Ant prietaiso korpuso susikaupusios dulksės, ypač laidžių medžiagų dulksės, arba drėgmė, esant nepalankioms sąlygoms, gali kelti elektros smūgio pavojų.

Darbo vieta

- ▶ Vykdydami sienų ar grindų pragręžimo ar pramušimo kiurai darbus, apsaugokite kitoje pusėje esančią zoną. Skeveldros gali iškristi ir / arba nukristi ir sužaloti kitus žmones.
- ▶ Pjūviai laikanciosiose sienose arba kitose struktūrose gali daryti įtaką jų statinei sistemai, ypač kai nupjaunama plieninė armatūra arba atraminiai elementai. Prieš pradėdami darbus, pasitarkite su atsakingu inžinieriumi, architektu arba su kompetentinga statybos vadovybe.

Papildomi nurodymai dėl apsauginių gaubtų naudojimo

- Norėdami išvengti toliau nurodytų pavojų, visada naudokite tinkamą apsauginį gaubtą, žr. skyrių: „Diskų priskyrimas naudojamai įrangai“.
- ▶ Naudojant standartinį apsauginį gaubtą su priekiniu dangčiu plokščiajam šlifavimui, apsauginis gaubtas gali liesti ruošinį ir dėl to galima netekti valdymo kontrolės.



- ▶ Naudojant vielinį šepetį, kurios storis viršija maksimalų leistiną storį, vielos gali įspainioti į apsauginį gaubtą ir nulūžti.
- ▶ Naudojant standartinį apsauginį gaubtą pjaunant metalą abrazyviniais pjovimo diskais, kyla didesnis pavojus būti veikiamiems kibirkščių ir kietųjų dalelių, o lūžus diskui, disko skeveldrų.
- ▶ Naudojant standartinį apsauginį gaubtą su priekiniu dangčiu arba be jo pjaunant arba šlifuojant betoną arba mūrą, susidaro daugiau dulkių ir kyla pavojus prarasti prietaiso valdymo kontrolę, dėl ko gali įvykti atatrankos.

2.4 Su akumulatoriais elgtis atsargiai

- ▶ **Laikykitės žemiau pateiktų saugaus naudojimo ir darbo su ličio jonų akumulatoriais saugos nuorodu.** Nesilaikant šių nurodymų, galimas odos sudirginimas, sunkūs sužalojimai dėl esdinančio poveikio, cheminiai nudegimai, gaisro ir / arba sproginimo pavojus.
- ▶ Akumulatorius naudokite tik nepriekaištingos techninės būklės.
- ▶ Kad išvengtumėte akumulatoriaus pažeidimų ir sveikatai labai kenksmingų skysčių ištekėjimo, su akumulatoriumi elkitės labai atsargiai!
- ▶ Akumulatorius draudžiama modifikuoti ar kaip nors kitaip jais manipuluoti!
- ▶ Akumulatorius draudžiama ardyti, spausiti, kaitinti iki aukštesnės kaip 80 °C (176 °F) temperatūros arba deginti.
- ▶ Nenaudokite ir neįkraukite akumuliatorių, kurie buvo sutrenkti arba kaip nors kitaip pažeisti. Reguliariai tikrinkite, ar nėra akumulatoriaus pažeidimo požymių.
- ▶ Niekada nenaudokite utilizuotų arba remonuotų akumuliatorių.
- ▶ Akumulatoriaus arba akumulatorinio elektrinio įrankio niekada nenaudokite vietoje plaktuko.
- ▶ Saugokite akumulatorius nuo tiesioginių saulės spindulių, aukštesnės temperatūros, kibirkščių ir atviros ugnies. Tai gali sukelti sproginimą.
- ▶ Baterijos polių nelieskite pirštais, įrankiais, papuošalais ar kitokiais elektrai laidžiais daiktais. Tai gali pažeisti akumuliatorių, taip pat padaryti materialinių nuostolių ir sužaloti.
- ▶ Saugokite akumulatorius nuo lietaus, drėgmės bei skysčių. Įsiskverbusi drėgmė gali sukelti trumpąjį jungimą, elektros smūgį, nudegimą, gaisrą ir sproginimą.
- ▶ Naudokite tik šio tipo akumulatoriams skirtus kroviklius ir elektrinius įrankius. Laikykitės atitinkamoje naudojimo instrukcijoje pateiktų duomenų.
- ▶ Nenaudokite ir nelaikykite akumulatoriaus sprogioje aplinkoje.
- ▶ Jeigu į rankas paimtas akumulatorius atrodo karštas, jis gali būti sugedęs. Padėkite akumuliatorių matomoje, nedegioje vietos pakankamu atstumu nuo degių medžiagų. Leiskite akumuliatoriui atvėsti. Jei akumulatorius po valandos vis dar yra per karštas paimti į rankas, jis yra sugedęs. Kreipkitės į **Hilti** techninės priežiūros centrą, arba perskaitykite šį dokumentą „**Hilti** ličio jonų akumuliatorių saugos ir naudojimo nurodymai“.



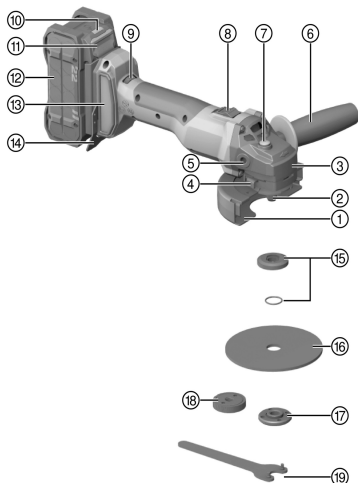
Laikykitės specialiųjų direktyvų, galiojančių ličio jonų akumuliatorių transportavimui, sandėliavimui ir naudojimui. → psl. 154

Perskaitykite **Hilti** ličio jonų akumuliatorių saugos ir naudojimo nurodymus, kuriuos rasite nuskeičus QR kodą, esantį šios naudojimo instrukcijos gale.



3 Aprašymas

3.1 Prietaiso vaizdas



- ① Standartinis apsauginis gaubtas
- ② Velenas
- ③ Sukimosi krypties rodyklė
- ④ Gaubto atblokavimo mygtukas
- ⑤ Srieginė įvorė rankenai
- ⑥ Šoninė rankena
- ⑦ Veleno fiksavimo mygtukas
- ⑧ Jungiklis
- ⑨ Greičio reguliavimo įtaisas
- ⑩ Akumuliatoriaus būsenos indikatorius
- ⑪ Akumuliatoriaus atblokavimo mygtukas
- ⑫ Akumuliatorius
- ⑬ Dulkių filtras
- ⑭ Apsauginis skydas nuo kibirkščių
- ⑮ Fiksavimo jungė su apvalaus skerspjuvio tarpikliu
- ⑯ Abrazyvinis pjovimo diskas / grubaus šlifavimo diskas
- ⑰ Fiksavimo veržlė
- ⑱ Greitojo fiksavimo veržlė **Kwik lock** (užsakoma papildomai)
- ⑲ Priveržimo raktas

3.2 Naudojimas pagal paskirtį

Aprašytasis prietaisas yra rankinis akumuliatorinis kampinis šlifukoaklis. Jis yra skirtas metalo ir mineralinių gamybinių medžiagų pjovimui abrazyviniais diskais bei grubiajam šlifavimui, valymui šepetiais, šlifavimui švitriniu popieriumi, visais atvejais nenaudojant vandens. Jį leidžiama naudoti tik sausajam šlifavimui ir sausajam pjovimui.

- Su šiuo prietaisu naudokite tik B 22 serijos **Hilti** Nuron ličio jonų akumuliatorius. Optimaliam našumui **Hilti** rekomenduoja šiam prietaisui šios naudojimo instrukcijos gale esančioje lentelėje nurodytus akumuliatorius.
- Šiems akumuliatoriams įkrauti naudokite tik šios naudojimo instrukcijos gale esančioje lentelėje nurodytų serijų **Hilti** kroviklius.

3.3 Tiekiamas komplektas

Kampinis šlifukoaklis, šoninė rankena, standartinis apsauginis gaubtas, priekinis dangtis, fiksavimo jungė, fiksavimo veržlė, priveržimo raktas, dulkių filtras, naudojimo instrukcija.

Daugiau Jūsų turimam prietaisui skirtų sisteminių reikmenų rasite vietinėje **Hilti Store** arba tinklalapyje www.hilti.group

3.4 ATC

Prietaise įrengta elektroninė greitojo išjungimo sistema ATC (Active Torque Control).

Keičiamajam įrankiui užsiblokavus ar įstrigus, prietaisas staiga pradeda nekontroliuojamai sukintis priešinga kryptimi. ATC atpažįsta šį staigų prietaiso sukamąjį judesį ir jį tuojau pat išjungia.



Kad tinkamai vykdytų savo funkcijas, prietaisas turi galėti sukintis.

Po įvykusio greitojo išjungimo prietaisą išjunkite ir vėl įjunkite.

3.5 Variklio apsauginė funkcija

Variklio apsauginė funkcija kontroliuoja vartojamą srovę ir variklio įšilimą, taip saugodama prietaisą nuo perkaitimo.



Variklį perkrovus per didelę spaudimo jėgą, prietaiso galia pastebimai sumažėja, variklis gali netgi visiškai sustoti.

i Jeigu dėl perkrovos prietaisas sustojo arba sumažėjo jo sukimosi greitis, reikia sumažinti apkrovą ir leisti prietaisui maždaug 30 sekundžių veikti tuščiosios eigos greičiu.

3.6 Integruotas stabdys

Integruotas stabdys mažina keičiamojo įrankio stabdymo trukmę iki visiško sustabdymo.

i Ši funkcija veikia tik tada, kai prietaisas yra prijungtas prie elektros tinklo.
Priklausomai nuo pasirinkto keičiamojo įrankio, stabdymo laikas yra skirtingas.

3.7 Priekinis dangtis

Priekinį dangtį su standartiniu apsauginiu gaubtu naudokite toliau išvardytiems naudojimo atvejais:

- šlifuoti tiesiais grubaus šlifavimo diskais,
- pjauti abrazyviniais pjovimo diskais.

3.8 Kompaktinis dulkių gaudymo gaubtas (pjovimui) DC-EX 125/5" C (reikmuo)

Deimantinius pjovimo diskais pjaunant mineralines medžiagas, reikia naudoti kompaktinį gaubtą DC-EX 125/5" C.

Apdorojant metalą, šį gaubtą naudoti draudžiama.

3.9 Dulkių gaudymo gaubtas (pjovimas) DC-EX 125/5" M (priedas)

Mineralinių medžiagų abrazyvinių pjovimo ir griovelių pjovimo darbus su deimantiais pjovimo diskais leidžiama vykdyti tik naudojant dulkių gaudymo gaubtą.

ATSARGIAI! Apdorojant metalą, šį gaubtą naudoti draudžiama.

3.10 Dulkių gaudymo gaubtas (šlifavimui) DG-EX 125/5" (reikmuo)

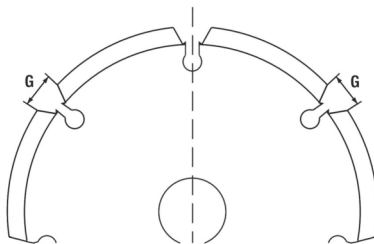
Ši šlifavimo sistema tinka tik retai pasitaikančiam mineralinių medžiagų šlifavimui deimantiniais taurės formos šlifavimo diskais.

Apdorojant metalą, šį gaubtą naudoti draudžiama.

3.11 Tinkamų deimantinių griovelių pjovimo diskų geometriniai parametrai

Deimantiniai griovelių pjovimo diskai turi tenkinti šiuos geometrinius parametrus.

Techniniai duomenys	
Išpjovų tarp segmentų plotis (G)	≤ 10 mm
Pjovimo briaunos kampas	Neigiamas



3.12 Ličio jonų akumulatoriaus rodmenys

Hilti Nuron ličio jonų akumulatoriai gali parodyti įkrovos būklę, pranešimus apie klaidą ir akumulatoriaus būklę.

3.12.1 Įkrovos būklės ir pranešimų apie klaidas rodmenys

ĮSPĖJIMAS

Sužalojimo pavojus krentančiu akumulatoriumi!

- ▶ Kai akumulatorius įstatytas, spausdami atblokovimo mygtuką įsitikinkite, kad vėl tinkamai užfiksavote akumulatorių naudojamame prietaise.



Kad gautumėte vieną iš šių rodmenų, spustelėkite akumulatoriaus atblokavimo mygtuką. Įkrovos būklė bei galimos triktys rodomos nuolat, kol prijungtas prietaisas yra įjungtas.

Būseną	Reikšmė
Keturi (4) šviesos diodai nuolat šviečia žaliai	Įkrovos lygis: nuo 100 iki 71 %
Trys (3) šviesos diodai nuolat šviečia žaliai	Įkrovos lygis: nuo 70 iki 51 %
Du (2) šviesos diodai nuolat šviečia žaliai	Įkrovos lygis: nuo 50 iki 26 %
Vienas (1) šviesos diodas nuolat šviečia žaliai	Įkrovos lygis: nuo 25 iki 10 %
Vienas (1) šviesos diodas lėtai mirksi žaliai	Įkrovos lygis: < 10 %
Vienas (1) šviesos diodas greitai mirksi žaliai	Ličio jonų akumulatorius yra visiškai išsikrovęs. Akumuliatorių įkraukite. Jei šviesos diodai po akumulatoriaus įkrovimo vis dar greitai mirksi, kreipkitės į Hilti techninės priežiūros centrą.
Vienas (1) šviesos diodas greitai mirksi geltonai	Ličio jonų akumulatorius arba su juo sujungtas prietaisas yra veikiamas per didelės apkrovos, yra per karštas, per šaltas arba įvykęs kitoks gedimas. Prietaisą ir akumuliatorių nustatykite į rekomenduojamą darbinę temperatūrą ir naudodami neperkraukite prietaiso. Jei pranešimas rodomas ir toliau, prašome kreiptis į Hilti techninės priežiūros centrą.
Vienas (1) šviesos diodas šviečia geltonai	Ličio jonų akumulatorius ir su juo susijęs prietaisas yra nesuderinami. Kreipkitės į Hilti techninės priežiūros centrą.
Vienas (1) LED šviesos diodas greitai mirksi raudonai	Ličio jonų akumulatorius užblokuotas, jo nebegalima naudoti. Kreipkitės į Hilti techninės priežiūros centrą.

3.12.2 Akumulatoriaus būsenos rodmenys

Norėdami užklausti apie akumulatoriaus būklę, ilgiau nei tris sekundes spauskite atblokavimo mygtuką. Sistema neatpažįsta galimo netinkamo baterijos veikimo, kuris yra neleistino baterijos naudojimo pasekmė, pvz., jei nukritus, ją pažeidus arba esant išorinių pažeidimų dėl karščio.

Būseną	Reikšmė
Visi šviesos diodai šviečia kaip signalinės lemputės, ir po to (1) vienas šviesos diodas nuolat šviečia žalia spalva.	Akumuliatorių galima naudoti toliau.
Visi šviesos diodai šviečia kaip signalinės lemputės, ir po to (1) vienas šviesos diodas greitai mirksi geltona spalva.	Užklausa dėl akumulatoriaus būklės negalėjo būti baigta. Procedūrą pakartokite arba kreipkitės į Hilti techninės priežiūros centrą.
Visi šviesos diodai šviečia kaip signalinės lemputės, ir po to (1) vienas šviesos diodas nuolat šviečia raudona spalva.	Jei prijungtą prietaisą galima naudoti toliau, likusi akumulatoriaus talpa yra mažesnė kaip 50%. Jei prijungto prietaiso toliau naudoti nebegalima, vadinasi akumulatoriaus eksploatavimo laikas baigėsi ir jį reikia pakeisti. Kreipkitės į Hilti techninės priežiūros centrą.

4 Eksploatacinės medžiagos

Leidžiama naudoti tik sintetinė derva surištus stiklopluoštinius maks. Ø 125 mm diskus, kurių leistinas sukimosi greitis yra ne mažesnis kaip 11 000 1/min, o leistinas apskritiminis greitis 80 m/s.

DĖMESIO! Pjaudami ir pjaudami griovelius abrazyviniais pjovimo diskais, visada naudokite standartinį apsauginį gaubtą su papildomu priekiniu dangčiu arba visiškai uždarą dulkių gaudymo gaubtą.



Diskai

Tipas	Naudojimas	Sutartiniai ženklai	Pagrindas (apdirbamas paviršius, medžiaga)	Maks. storis	Maks. skersmuo
Abrazyvinis pjovimo diskas	Pjovimas abrazyviniais diskais, griovelių pjovimas	AC-D	Metalas	2,5 mm	125 mm
Deimantinis pjovimo diskas	Pjovimas abrazyviniais diskais, griovelių pjovimas	DC-TP, DC-D (SPX, SP, P)	Mineralinės medžiagos	3 mm	125 mm
Abrazyvinis grubaus šlifavimo diskas	Grubusis šlifavimas	AG-D, AF-D, AN-D	Metalas	6,4 mm	125 mm
Deimantinis grubaus šlifavimo diskas	Grubusis šlifavimas	DG-CW (SPX, SP, P)	Mineralinės medžiagos	—	125 mm
Vielinis šepetys	Vieliniai šepėčiai	3CS, 4CS, 3SS, 4SS	Metalas	— 27 mm	75 mm 125 mm
Deimantinė gręžimo karūna	Apdailos plytelių gręžimas	DD-M14	Mineralinės medžiagos	—	125 mm
Fibrinis diskas	Grubusis šlifavimas	AP-D	Metalas	—	125 mm

Diskų priskyrimas naudojamai įrangai

Poz.	Įranga	AC-D	AP-D	AG-D, AF-D, AN-D	DG-CW (SPX, SP, P)	DC-TP, DC-D (SPX, SP, P)	3CS, 4CS, 3SS, 4SS, DD-M14
A	Apsauginis gaubtas (standartinis)	✓	✓	✓	✓	✓	✓
B	Priekinis dangtis (dirbant su „A“)	✓	—	—	—	✓	—
C	Dulkių gaudymo gaubtas (šlifavimui) DG-EX 125/5"	—	—	—	✓	—	—
D	Dulkių gaudymo gaubtas (pjovimui) DC-EX 125/5"C (dirbant su „A“)	—	—	—	—	✓	—
E	Dulkių gaudymo gaubtas (griovelių pjovimui) DC-EX 125/5"M	—	—	—	—	✓	—
F	Adapteris DC-EX SL (dirbant su „E“)	—	—	—	—	✓	—
G	Šoninė rankena (standartinis)	✓	✓	✓	✓	✓	✓
H	Fiksavimo veržlė (standartinis)	✓	—	✓	✓	✓	—
I	Fiksavimo jungė (standartinis)	✓	—	✓	✓	✓	—
J	Kwik lock (papildomai užsakoma prie „H“)	✓	—	✓	—	✓	—
K	Fiksavimo veržlė (fibrinio disko)	—	✓	—	—	—	—
L	Atraminė lėkštė (fibrinio disko)	—	✓	—	—	—	—



5 Techniniai duomenys

	AG 4S-22-125
Nominalioji maitinimo įtampa	21,6 V
Nominalusis sukimosi greitis	8 500 aps./min.
Maksimalus disko skersmuo	125 mm
Svoris pagal „EPTA-Procedure 01“ be akumuliatoriaus	2,1 kg
Pavaros veleno sriegis	M14
Veleno ilgis	22 mm
Darbinė aplinkos temperatūra	-17 °C ... 60 °C (1 °F ... 140 °F)
Laikymo temperatūra	-20 °C ... 70 °C (-4 °F ... 158 °F)

5.1 Akumuliatorius

Akumuliatoriaus darbinė įtampa	21,6 V
Akumuliatoriaus svoris	Žr. šios naudojimo instrukcijos gale.
Darbinė aplinkos temperatūra	-17 °C ... 60 °C (1 °F ... 140 °F)
Laikymo temperatūra	-20 °C ... 40 °C (-4 °F ... 104 °F)
Akumuliatoriaus temperatūra, kai pradama įkrauti	-10 °C ... 45 °C (14 °F ... 113 °F)

5.2 Informacija apie triukšmą ir vibracijos reikšmės pagal 62841-2-3:2021

Šiuose nurodymuose pateiktos garso slėgio ir vibracijos reikšmės yra išmatuotos taikant standartizuotą matavimo metodą ir gali būti naudojami elektriniams įrankiams palyginti tarpusavyje. Jos taip pat tinka šių veiksmų poveikiui iš anksto įvertinti.

Nurodytieji duomenys yra susieti su pagrindinėmis šio elektrinio įrankio naudojimo sritimis. Jeigu elektrinis įrankis bus naudojamas kitaip, su skirtingais keičiamaisiais įrankiais arba bus nepakankamai techniškai prižiūrimas, šie duomenys gali skirtis nuo nurodytųjų. Tai gali gerokai padidinti šių veiksmų poveikį per visą darbo laikotarpį.

Norint tiksliai įvertinti poveikį, reikėtų įvertinti ir laiką, kai elektrinis prietaisas yra išjungtas, arba, nors ir įjungtas, juo faktiškai nedirbama. Toks įvertinimas gali smarkiai sumažinti poveikio per visą darbo laikotarpį reikšmę.

Imkitės papildomų saugos priemonių, kad darbuotojas būtų apsaugotas nuo triukšmo ir / arba vibracijos poveikio, pavyzdžiui, reikalaukite tinkamos elektrinio įrankio ir keičiamųjų įrankių techninės priežiūros, pasirūpinkite, kad darbuotojų rankos visada būtų šiltos, užtikrinkite tinkamą darbo organizavimą.

Šlifuojant plonus skardos lakštus arba kitas didelio ploto lengvai vibruojančias struktūras, gali kilti triukšmas, kuris viršija nurodytos skleidžiamo triukšmo vertes. Jūs galite sumažinti dėl to skleidžiamą triukšmą, taikydami triukšmą mažinančias priemones, pvz., uždėdami sunkius, lanksčius, garsą slopinančius kilimėlius. Vertindami triukšmo poveikio riziką ir pasirinkdami tinkamas klausos organų apsaugos priemones visada atsižvelkite į šias didesnes vertes.

Informacija apie triukšmą

	AG 4S-22-125
Skleidžiamo garso slėgio lygis (L_{pA})	89 dB(A)
Garso slėgio lygio paklaida (K_{pA})	3 dB(A)
Garso galios lygis (L_{WA})	97 dB(A)
Garso galios lygio paklaida (K_{WA})	3 dB(A)

Informacija apie vibraciją

Naudojant kitiems darbams, pvz., pjaunant, vibracijos reikšmės gali būti kitokios.



		AG 4S-22-125
Paviršių šlifavimas (a_{h,AG})	B 22-55	5,1 m/s ²
	B 22-255	5,4 m/s ²
Paklaida (K)		1,5 m/s ²

6 Pasiruošimas darbui

ĮSPĖJIMAS

Sužalojimo pavojus dėl atsitiktinio paleidimo!

- ▶ Prieš įdėdami akumuliatorių, įsitinkinkite, kad atitinkamas prietaisas yra išjungtas.
- ▶ Prieš nustatydami prietaisą ar keisdami reikmenis, išimkite akumuliatorių.

Laikykitės šioje instrukcijoje ir ant prietaiso pateiktų saugos nurodymų ir įspėjimų.

6.1 Akumulatoriaus įkrovimas

1. Prieš pradėdami krauti, perskaitykite kroviklio naudojimo instrukciją.
2. Atkreipkite dėmesį, kad akumulatoriaus ir kroviklio kontaktai turi būti švarūs ir sausi.
3. Akumuliatorių įkraukite leistinu krovikliu. → psl. 144

6.2 Akumulatoriaus įdėjimas

ĮSPĖJIMAS

Sužalojimo pavojus dėl trumpojo jungimo arba krintančio akumulatoriaus!

- ▶ Prieš įdėdami akumuliatorių įsitinkinkite, kad jo ir prietaiso kontaktuose nėra pašalinių daiktų.
- ▶ Įsitinkinkite, kad akumuliatorius visada tinkamai užsifiksavo.

1. Prieš pirmą kartą naudodami, akumuliatorių pilnai įkraukite.
2. Akumuliatorių stumkite į prietaisą, kol jis girdimai užsifiksuos.
3. Patikrinkite, ar akumuliatorius gerai užfiksuotas prietaise.

6.3 Akumulatoriaus išėmimas

1. Spauskite akumulatoriaus atblokavimo mygtuką.
2. Iš gaminio išimkite akumuliatorių.

6.4 Hilti apsaugos nuo kritimo įtaiso montavimas (užsakomas papildomai)



Dirbant su prietaisu, būtina laikytis nacionalinių direktyvų dėl darbo aukštyje. Vadovaukitės apsaugos nuo kritimo įtaiso naudojimo instrukcija.

1. Abu apsaugos nuo kritimo įtaiso liežuvelius tiksliai uždėkite ant apsaugos nuo kibirkščių plokštelės.
2. Apsaugos nuo kritimo įtaisą pritvirtinkite atitinkamais varžtais, įstatydami juos į apsaugos nuo kibirkščių plokštelėje numatytas angas.
3. Įdėkite akumuliatorių. → psl. 149

6.5 Apsaugos nuo kritimo iš aukščio priemonė

ĮSPĖJIMAS

Sužalojimo pavojus krentant įrankiui ir/arba papildomai įrangai!

- ▶ Naudokite tik Jūsų prietaisui rekomenduojamą **Hilti** įrankio laikantįjį lyną.
- ▶ Kiekvieną kartą prieš naudodami patikrinkite įrankio laikančiojo lyno tvirtinimo taško galimus pažeidimus.



Laikykitės Jūsų šalyje galiojančių direktyvų dėl darbo aukštyje.



Kaip apsaugą nuo nukritimo šiam gaminiui naudokite tik **Hilti** apsaugos nuo nukritimo įtaiso #2293133 ir **Hilti** įrankio laikančiojo lyno #2261970 derinį.

- ▶ Apsaugos nuo nukritimo įtaisą pritvirtinkite papildomos įrangos montavimo angose. Patikrinkite, ar patikimai laikosi.
- ▶ Vieną įrankio laikančiojo lyno karabino kablį pritvirtinkite prie apsaugos nuo nukritimo įtaiso, o kitą karabino kablį – prie laikančiosios struktūros. Patikrinkite, ar abu karabino kabliai patikimai laikosi.



Laikykitės **Hilti** apsaugos nuo nukritimo įtaiso ir **Hilti** įrankio laikančiojo lyno naudojimo instrukcijų.

6.6 Šoninės rankenos montavimas

- ▶ Šoninę rankeną įsukite į vieną iš jai skirtų srieginių įvorių.

6.7 Apsauginio gaubto montavimas arba išmontavimas

ATSARGIAI

Sužalojimo pavojus. Keičiamasis įrankis gali būti karštas arba turėti aštrias briaunas.

- ▶ Montuodami, išmontuodami, vykdydami nustatymo darbus ir šalindami sutrikimus, mūvėkite apsaugines pirštines.
- ▶ Laikykitės atitinkamo apsauginio gaubto montavimo instrukcijos.

6.7.1 Standartinio apsauginio gaubto montavimas



Apsauginiame gaubte yra kodavimo kumšteliai, kurie užtikrina, kad prie prietaiso bus montuojamas tinkamas apsauginis gaubtas. Apsauginį gaubtą su jo kodavimo kumšteliais galima įstatyti į prietaiso gaubto kreipiamąsias.

1. Apsauginį gaubtą uždėkite ant veleno kaklelio taip, kad trikampių simboliai ant prietaiso ir apsauginio gaubto būtų vienas priešais kitą.
2. Apsauginį gaubtą užstumkite ant veleno kaklelio.
3. Paspauskite gaubto atblokovimo mygtuką ir sukite apsauginį gaubtą į norimą padėtį, kol užsifiksuos.
 - ▶ Gaubto atblokovimo mygtukas atšoka.

6.7.2 Standartinio apsauginio gaubto padėties reguliavimas

- ▶ Paspauskite gaubto atblokovimo mygtuką ir sukite apsauginį gaubtą į norimą padėtį, kol užsifiksuos.

6.7.3 Standartinio apsauginio gaubto išmontavimas

1. Paspauskite gaubto atblokovimo mygtuką ir sukite apsauginį gaubtą tol, kol trikampių simboliai ant prietaiso ir apsauginio gaubto bus vienas priešais kitą.
2. Nuimkite apsauginį gaubtą.

6.8 Priekinio dangčio montavimas arba išmontavimas



Priekinį dangtį reikia uždėti ant standartinio apsauginio gaubto.

1. Priekinį dangtį uždarąja puse nukreipta aukštyn dėkite ant standartinio apsauginio gaubto.
 - ▶ Fiksatorius turi girdimai užsifiksuoti.
2. Norėdami išmontuoti, atidarykite priekinio dangčio fiksatorių.
3. Išmontuokite priekinį dangtį nuo standartinio apsauginio gaubto.

6.9 Keičiamųjų įrankių montavimas arba išmontavimas

ATSARGIAI

Sužalojimo pavojus. Keičiamasis įrankis gali būti karštas.

- ▶ Keisdami keičiamąjį įrankį, mūvėkite apsaugines pirštines.



- i** Deimantiniai diskai turi būti keičiami tada, kai pastebimai sumažėja jų pjovimo geba arba šlifavimo našumas. Paprastai taip atsitinka, kai deimantinių segmentų aukštis tampa mažesnis kaip 2 mm.
- Kitų tipų diskai turi būti keičiami tada, kai pastebimai sumažėja jų pjovimo našumas arba kai kampinio šlifuko elemento (išskyrus diską) dirbant ima liesti apdirbamą medžiagą.
- Abrazyviniai diskai turi būti keičiami ir pasibaigus jų galiojimo terminui.

6.9.1 Keičiamojo įrankio montavimas

ĮSPĖJIMAS

Sužalojimo pavojus. Stabdant prietaiso variklį, gali atsilaisvinti keičiamasis įrankis.

- ▶ Prieš liedsdami keičiamąjį įrankį arba fiksavimo veržlę, palaukite, kol keičiamasis įrankis visiškai sustos.
- ▶ Keičiamąjį įrankį ir fiksavimo jungę fiksavimo veržlę priveržkite tvirtai, kad, stabdant prietaiso variklį, nuo veleno negalėtų atsilaisvinti jokie elementai.

1. Nuvalykite fiksavimo jungę ir fiksavimo veržlę.
2. Patikrinkite, ar fiksavimo jungėje yra apvalaus skerspjūvio tarpiklis ir ar jis nėra pažeistas.
 - ▶ Pakeiskite trūkstamą arba pažeistą apvalaus skerspjūvio tarpiklį.
3. Fiksavimo jungę uždėkite ant veleno, kad sutaptų su montavimo vietos geometrine forma ir neprisiskytų.
4. Uždėkite keičiamąjį įrankį.
5. Priklausomai nuo uždėto keičiamojo įrankio, priveržkite fiksavimo veržlę.
6. Laikykite nuspaudę veleno fiksavimo mygtuką.
7. Priveržimo raktu priveržkite fiksavimo veržlę, atleiskite veleno fiksavimo mygtuką, tada priveržimo raktą nuimkite.

6.9.2 Keičiamojo įrankio išmontavimas

ĮSPĖJIMAS

Lūžimo ir sugadinimo pavojus. Jei veleno fiksavimo mygtukas paspaudžiamas velenui sukantis, keičiamasis įrankis gali atsilaisvinti.

- ▶ Veleno fiksavimo mygtuką spauskite tik tada, kai velenas nesisuka.

1. Laikykite nuspaudę veleno fiksavimo mygtuką.
2. Atlaisvinkite fiksavimo veržlę: uždėkite priveržimo raktą ir sukite jį prieš laikrodžio rodyklę.
3. Atleiskite veleno fiksavimo mygtuką ir išimkite keičiamąjį įrankį.

6.9.3 Kwik lock montavimas

ĮSPĖJIMAS

Lūžimo pavojus. Dėl per didelio nusidėvėjimo greitojo fiksavimo veržlė **Kwik lock** gali lūžti.

- ▶ Dirbdami kontroliuokite, kad greitojo fiksavimo veržlė **Kwik lock** neliestų apdirbamos medžiagos.
- ▶ Nenaudokite pažeistos greitojo fiksavimo veržlės **Kwik lock**.

- i** Vietoje standartinės fiksavimo veržlės galima naudoti greitojo fiksavimo veržlę **Kwik lock** (užsakoma papildomai). Tuomet keičiamuosius įrankius galima keisti nenaudojant papildomo įrankio.

1. Nuvalykite fiksavimo jungę ir fiksavimo veržlę.
2. Patikrinkite, ar fiksavimo jungėje yra apvalaus skerspjūvio tarpiklis ir ar jis nėra pažeistas.
 - ▶ Pakeiskite trūkstamą arba pažeistą apvalaus skerspjūvio tarpiklį.
3. Fiksavimo jungę uždėkite ant veleno, kad sutaptų su montavimo vietos geometrine forma ir neprisiskytų.
4. Uždėkite keičiamąjį įrankį.
5. Greitojo fiksavimo veržlę **Kwik lock** sukite tol, kol priglus prie keičiamojo įrankio.
 - ▶ Užsuktoje padėtyje yra matomas užrašas **Kwik lock**.
6. Paspauskite ir laikykite veleno fiksavimo mygtuką.
7. Keičiamąjį įrankį toliau stipriai sukite ranka laikrodžio rodyklės kryptimi, kol greitojo fiksavimo veržlė **Kwik lock** bus tvirtai priveržta.
8. Atleiskite veleno fiksavimo mygtuką.



6.9.4 Kwik lock išmontavimas

Jeigu greitojo fiksavimo veržlės **Kwik lock** ranka atlaisvinti nepajėgiate, uždėkite ant jos priveržimo raktą ir sukite jį prieš laikrodžio rodyklę. Niekada nenaudokite vamzdžių rakto. Greitojo fiksavimo veržlę **Kwik lock** galima pažeisti netinkamu įrankiu.

1. Paspauskite veleno fiksavimo mygtuką.
2. Greitojo fiksavimo veržlę **Kwik lock** atlaisvinkite, ranka sukdami prieš laikrodžio rodyklę.
3. Atleiskite veleno fiksavimo mygtuką ir išimkite keičiamąjį įrankį.

6.9.5 Gręžimo karūnos montavimas 11

1. Sumontuokite šoninę rankeną. → psl. 150
2. Sumontuokite standartinį apsauginį gaubtą.
3. Gręžimo karūną uždėkite ir stipriai prisukite ranka.
4. Laikykite nuspaudę veleno fiksavimo mygtuką.
5. Gręžimo karūną priveržkite tinkamu veržliniu raktu.
6. Paskui atleiskite veleno fiksavimo mygtuką ir nuimkite veržlinį raktą.

6.9.6 Vielinio šepetio montavimas 12

1. Sumontuokite šoninę rankeną. → psl. 150
2. Sumontuokite standartinį apsauginį gaubtą.
3. Vielinį šepetį uždėkite ir stipriai prisukite ranka.
4. Laikykite nuspaudę veleno fiksavimo mygtuką.
5. Vielinį šepetį priveržkite tinkamu veržliniu raktu.
6. Paskui atleiskite veleno fiksavimo mygtuką ir nuimkite veržlinį raktą.

6.9.7 Fibrinio disko montavimas 13

1. Sumontuokite šoninę rankeną. → psl. 150
2. Sumontuokite standartinį apsauginį gaubtą.
3. Uždėkite atraminę lėkštę ir fibrinį diską ir užsukite fiksavimo veržlę.
4. Laikykite nuspaudę veleno fiksavimo mygtuką.
5. Priveržimo raktu priveržkite fiksavimo veržlę.
6. Paskui atleiskite veleno fiksavimo mygtuką ir nuimkite priveržimo raktą.

7 Naudojimas**7.1 Įjungimas**

1. Spauskite galinę jungiklio dalį.
2. Pastumkite jungiklį į priekį.
 - ▶ Variklis sukasi.
3. Jungiklį užblokuokite.

7.2 Šlifavimas**ĮSPĖJIMAS**

Sužalojimo pavojus. Keičiamasis įrankis gali netikėtai užsiblokuoti arba ką nors užkabinti.

- ▶ Prietaisą naudokite su šonine rankena ir jį visada tvirtai laikykite abiem rankomis.

Neleiskite keičiamajam įrankiui įstrigti ir venkite per didelę jėgą spausti prietaisą.

7.3 Pjovimas abrazyviniais diskais

- ▶ Pjaustydami abrazyviniu būdu, dirbkite su saikinga pastūma ir nesukiokite prietaiso arba abrazyvinio pjovimo disko (darbinė padėtis yra maždaug 90° kampų į pjaunamą plokštumą).



Profiliai ir maži keturkampiai vamzdžiai pjaustomi geriausiai, kai abrazyvinio pjovimo diskas pridedamas mažiausio skerspjūvio vietoje.



7.4 Grubusis šlifavimas

ĮSPĖJIMAS

Sužalojimo pavojus. Abrazyvinio pjovimo diskas gali trūkti, ir skriejančios jo skeveldros gali sužaloti.

► Abrazyvinio pjovimo diskų niekada nenaudokite grubiajam šlifavimui.

- Nustatę nuo 5° iki 30° atakos kampą ir saikingai spausdami, stumdykite prietaisą pirmyn ir atgal.
 - Ruošiny nesįkais, nepakeis spalvos ir ant jo nesusidarys grioveliai.

7.5 Išjungimas

- Spauskite galinę jungiklio dalį.
 - Jungiklis peršoka į išjungimo padėtį, ir variklis sustoja.

8 Priežiūra ir einamasis remontas

ĮSPĖJIMAS

Sužalojimo pavojus kai įstatytas akumulatorius !

- Prieš pradėdami bet kokius techninės priežiūros ir einamojo remonto darbus, akumuliatorių iš prietaiso išimkite!

PAVOJUS

Nesant apsauginės izoliacijos, yra elektros smūgio pavojus. Esant ekstremalioms eksploataavimo sąlygoms, pvz., apdirbant metalus, laidžios metalo ar anglies pluošto dulkės gali nusėsti prietaiso viduje ir pabloginti apsauginę izoliaciją.

- Ekstremaliomis eksploataavimo sąlygomis naudokite stacionarų nusiurbimo įrenginį.
- Dažnai valykite vėdinimo plyšius.

Prietaiso priežiūra

- Prilipusius nešvarumus atsargiai nuvalykite.
- Korpusą valykite tik šiek tiek sudrėkinta šluoste. Nenaudokite priemonių, kurių sudėtyje yra silikono, nes jos gali pakenkti plastikinėms detalėms.
- Prietaiso kontaktams nuvalyti naudokite švarią, sausą šluostę.

Ličio jonų akumuliatorių priežiūra

- Niekada nenaudokite akumulatoriaus, jei jo vėdinimo plyšiai yra užsikimšę. Vėdinimo plyšius atsargiai išvalykite sausu, minkštu šepetėliu.
- Saugokite akumuliatorių nuo bereikalingo dulkių ir nešvarumų poveikio. Saugokite akumuliatorių nuo didelės drėgmės (pvz., nepanardinkite į vandenį ir nepalikite stovėti lietuje). Jei akumuliatorių peršlapo, elkitės su juo kaip su pažeistu akumuliatoriumi. Izoliuokite jį nedegiamame konteineryje ir kreipkitės į **Hilti** techninės priežiūros centrą.
- Saugokite akumuliatorių nuo pašalinės alyvos ir tepalo. Saugokite, kad ant akumulatoriaus nenusėtų dulkių ir nešvarumų. Akumuliatorių valykite sausu, minkštu šepetėliu arba švaria, sausa šluoste. Nenaudokite priemonių, kurių sudėtyje yra silikono, nes jos gali pakenkti plastikinėms detalėms. Nelieskite akumulatoriaus kontaktų ir nepašalinkite nuo kontaktų gamykloje užtepto tepalo.
- Korpusą valykite tik šiek tiek sudrėkinta šluoste. Nenaudokite priemonių, kurių sudėtyje yra silikono, nes jos gali pakenkti plastikinėms detalėms.

Einamasis remontas

- Reguliariai tikrinkite, ar matomos dalys nėra pažeistos ir ar valdymo elementai veikia neprikaištingai.
- Nenaudokite pažeisto prietaiso arba prietaiso su veikimo trikdžiais. Prietaisą nedelsdami pristatykite remontuoti į **Hilti** techninės priežiūros centrą.
- Atlikę priežiūros ir remonto darbus uždėkite visus apsauginiai įtaisus ir patikrinkite, ar jie neprikaištingai veikia.



Kad eksploatacija būtų patikima, naudokite tik originalias atsargines dalis ir eksploatacines medžiagas. **Hilti** aprobuotas atsargines dalis, eksploatacines medžiagas ir reikmenis savo prietaisui rasite vietinėje **Hilti Store** arba tinklalapyje www.hilti.group



9 Akumuliatorių įrankių ir akumuliatorių transportavimas ir sandėliavimas

Transportavimas

ATSARGIAI

Atsitiktinis įjungimas transportuojant !

- ▶ Savo prietaisus visada transportuokite tik išėmę akumulatorius!
- ▶ Išimkite akumuliatorių/akumulatorius.
- ▶ Akumuliatorių niekada netransportuokite sumetę į krūvą su kitais daiktais. Transportuojamus akumuliatorius būtina saugoti nuo stiprių smūgių ir vibracijos, taip pat izoliuoti nuo bet kokių elektrai laidžių medžiagų ir kitų akumuliatorių, kad jie nesiliestų su kitų akumuliatorių poliais ir nesukeltų trumpojo jungimo. **Laikykitės eksploatavimo vietoje galiojančių akumuliatorių transportavimo direktyvų.**
- ▶ Akumuliatorius draudžiama siųsti paštu. Jei norite siųsti nepažeistus akumuliatorius, kreipkitės į pervežimų įmonę.
- ▶ Prieš kiekvieną naudojimą ir po ilgesnio transportavimo patikrinkite, ar prietaisais ir akumuliatoriai nepažeisti.

Sandėliavimas

ISPĖJIMAS

Atsitiktinis pažeidimas dėl sugedusių ar išsiliejusių akumuliatorių !

- ▶ Savo prietaisus visada laikykite tik išėmę akumulatorius!
- ▶ Prietaisais ir akumuliatorių laikykite vėsioje ir sausoje vietoje. Atkreipkite dėmesį į ribines temperatūros vertes, nurodytas skyriuje "Techniniai duomenys".
- ▶ Akumuliatoriaus nelaiykite ant kroviklio. Akumuliatorių visada nuimkite nuo kroviklio po įkrovimo proceso.
- ▶ Nelaiykite akumuliatoriaus saulėje, ant šilumos šaltinių ar už lango stiklo.
- ▶ Prietaisą ir akumuliatorių laikykite vaikams bei neįgaliesiems asmenims neprieinamoje vietoje.
- ▶ Prieš kiekvieną naudojimą ir po ilgesnio sandėliavimo patikrinkite, ar prietaisais ir akumuliatoriai nepažeisti.

10 Pagalba sutrikus veikimui

Visų sutrikimų atvejais atkreipkite dėmesį į akumuliatoriaus įkrovos lygio ir sutrikimų rodmenį. Žr. skyrių **Ličio jonų akumuliatoriaus rodmenys**.

Pasitaikius sutrikimų, kurie neaprašyti šioje lentelėje arba kurių negalite pašalinti patys, kreipkitės į **Hilti** techninės priežiūros centrą.

Sutrikimas	Galima priežastis	Sprendimas
Prietaisai neįsijungia.	Akumuliatorius yra išsikrovęs.	▶ Akumuliatorių pakeiskite, o išsikrovusį – įkraukite.
Akumuliatorius išsikrauna greičiau negu įprastai.	Labai žema aplinkos temperatūra.	▶ Leiskite akumuliatoriui lėtai įšilti iki patalpos temperatūros.
Akumuliatorius neužsifiksuoja girdimu spragtelėjimu.	Akumuliatoriaus fiksatorius yra užterštas.	▶ Fiksatorių išvalykite ir iš naujo įdėkite akumuliatorių.
Kampinis šlifuoklus arba akumuliatorius stipriai kaista.	Elektrinis gedimas	▶ Prietaisą nedelsdami išjunkite, išimkite akumuliatorių ir stebėdami leiskite atvėsti, paskui susisiekite su Hilti techninės priežiūros centru.
	Užsikimšę vėdinimo plyšiai	▶ Reguliariai valykite vėdinimo plyšius.
Neveikia variklio stabdymo funkcija.	Akumuliatorius yra išsikrovęs.	▶ Akumuliatorių pakeiskite, o išsikrovusį – įkraukite.
	Prietaisais trumpam perkrautas.	▶ Prietaisą išjunkite ir vėl įjunkite.



11 Utilizavimas



ISPĖJIMAS

Sužalojimo pavojus dėl netinkamo utilizavimo! Išeinančios dujos ir ištekantis skystis kelia pavojų sveikatai.

- ▶ Pažeistų akumuliatorių nesiųskite paštu ir nepervežkite!
- ▶ Kad būtų išvengta trumpojo jungimo, jungtis uždenkite elektrai nelaidžia medžiaga.
- ▶ Akumuliatorius utilizuokite taip, kad jie negalėtų patekti į vaikų rankas.
- ▶ Akumuliatorių pristatykite utilizuoti į savo **Hilti Store** arba kreipkitės į vietinę kompetentingą utilizavimo įmonę.



Didelė **Hilti** prietaisų dalis yra pagaminta iš medžiagų, kurias galima perdirbti. Būtina antrinio perdirbimo sąlyga yra tinkamas medžiagų išrūšiavimas. Daugelyje šalių **Hilti** priims Jūsų nebenaudojamą prietaisą perdirbti. Apie tai galite pasiteirauti artimiausiame **Hilti** techninės priežiūros centre arba savo prekybos konsultanto.



- ▶ Elektrinių įrankių, elektroninių prietaisų ir akumuliatorių neišmeskite į buitinius šiukšlynus!

12 Gamintojo teikiama garantija

- ▶ Kilus klausimų dėl garantijos sąlygų, kreipkitės į vietinį **Hilti** partnerį.

13 Daugiau informacijos

Daugiau informacijos apie valdymą, techniką, aplinką ir perdirbimą rasite šiuo adresu: qr.hilti.com/manual/?id=2252233&id=2252235&id=2251374

Šią nuorodą taip pat rasite dokumentacijos gale kaip QR kodą.

Перевод оригинального руководства по эксплуатации

1 Данные руководства по эксплуатации

1.1 К настоящему руководству по эксплуатации



Импортер и уполномоченная изготовителем организация

- (RU) Российская Федерация
АО "Хилти Дистрибьюшн ЛТД", 141402, Московская область, г. Химки, ул. Ленинградская, стр. 25, комната 15.26
- (BY) Республика Беларусь
ИООО "Хилти БиУай", 222750, Минская область, Дзержинский район, Р-1, 18-й км, 2 (около д. Слободка), помещение 1-34
- (KZ) Республика Казахстан
ТОО "Хилти Казахстан", 050057, г. Алматы, Бостандыкский район, ул. Тимирязева, дом 42/15, литер 012 (корпус15)
- (AM) Республика Армения
ООО "ЭЙЧ-КОН", 0070, г. Ереван, ул. Ерванда Кочара 19/28

Страна производства: см. маркировочную табличку на оборудовании.

Дата производства: см. маркировочную табличку на оборудовании.

Соответствующий сертификат можно найти по адресу: www.hilti.ru

Специальных требований к условиям хранения, транспортировки и использования, кроме указанных в руководстве по эксплуатации, нет.

Срок службы изделия составляет 5 лет.

- Предупреждение! Перед использованием изделия убедитесь в том, что вы полностью изучили прилагаемое к нему руководство по эксплуатации, включая приводимые там инструкции, указания по технике безопасности и предупреждения, иллюстрации и технические характеристики. В частности,



ознакомьтесь со всеми инструкциями, указаниями по технике безопасности и предупреждениями, иллюстрациями, техническими характеристиками, а также компонентами и функциями. Несоблюдение этих требований может привести к поражению электрическим током, возгоранию и/или серьезным травмам. Храните руководство по эксплуатации, включая все инструкции, указания по технике безопасности и предупреждения, для последующего использования.

- Изделия предназначены для профессионального использования, поэтому они должны обслуживаться и ремонтироваться только уполномоченным и обученным персоналом. Этот персонал должен пройти специальный инструктаж по технике безопасности. Использование изделия и его оснастки не по назначению или его эксплуатация необученным персоналом могут представлять опасность.
- Прилагаемое руководство по эксплуатации соответствует уровню технического прогресса на момент сдачи в печать. Актуальная версия всегда доступна в режиме онлайн на веб-сайте Hilti с описанием изделия. Для этого перейдите по ссылке или QR-коду, приводимым в настоящем руководстве по эксплуатации с обозначением символом .
- При смене владельца обязательно передавайте настоящее руководство по эксплуатации вместе с изделием.

1.2 Пояснение к знакам

1.2.1 Предупреждающие указания

Предупреждающие указания служат для предупреждения об опасностях при обращении с изделием. Используются следующие сигнальные слова:

ОПАСНО

ОПАСНО !

- ▶ Общее обозначение непосредственной опасной ситуации, которая влечет за собой тяжелые травмы или смертельный исход.

ПРЕДУПРЕЖДЕНИЕ

ПРЕДУПРЕЖДЕНИЕ !

- ▶ Общее обозначение потенциально опасной ситуации, которая может повлечь за собой тяжелые травмы или смертельный исход.

ОСТОРОЖНО

ОСТОРОЖНО !

- ▶ Общее обозначение потенциально опасной ситуации, которая может повлечь за собой травмы или повреждение оборудования (материальный ущерб).

1.2.2 Символы, используемые в руководстве

В этом руководстве используются следующие символы:

	Соблюдать руководство по эксплуатации
	Указания по эксплуатации и другая полезная информация
	Обращение с материалами, пригодными для вторичной переработки
	Не выбрасывайте электроинструменты и аккумуляторы вместе с обычным мусором!
	Hilti Литий-ионный аккумулятор (Li-Ion)
	Зарядное устройство Hilti

1.2.3 Символы на изображениях

На изображениях используются следующие символы:

- Эти цифры указывают на соответствующее изображение в начале данного руководства.



3	Нумерация на изображениях отображает порядок выполнения рабочих операций и может отличаться от нумерации, используемой в тексте.
	Номера позиций используются в обзорном изображении. В обзоре изделия они указывают на номера в экспликации.
	Этот знак должен привлечь особое внимание пользователя при обращении с изделием.

1.3 Символы в зависимости от изделия

1.3.1 Символы на изделии

На изделии могут использоваться следующие символы:

	Используйте защитные очки
n_0	Номинальная частота вращения на холостом ходу
/min	оборотов в минуту (об/мин)
RPM	оборотов в минуту (об/мин)
\varnothing	Диаметр
	Постоянный ток
	Не используйте стандартный кожух для выполнения отрезных работ.
	При выполнении работ всегда используйте обе руки.
	Изделие поддерживает технологию NFC, совместимую с платформами iOS и Android.
Li-Ion	Литий-ионный аккумулятор
	Никогда не используйте аккумулятор в качестве ударного инструмента.
	Не допускайте падения аккумулятора. Не используйте аккумулятор, который получил повреждения вследствие удара или каким-либо иным образом.

1.4 Информация об изделии

Изделия предназначены для профессионального использования, поэтому они должны обслуживаться и ремонтироваться только уполномоченным и обученным персоналом. Этот персонал должен пройти специальный инструктаж по технике безопасности. Использование изделия и его оснастки не по назначению или его эксплуатация необученным персоналом могут представлять опасность.

Типовое обозначение и серийный номер указаны на заводской табличке.

- ▶ Перепишите серийный номер в нижеприведенную табличную форму. Данные изделия необходимы при обращении в наше представительство или сервисный центр.

Данные изделия

Аккумуляторная углошлифовальная машина	AG 4S-22-125
Поколение	02
Серийный №	

1.5 Декларация соответствия нормам

Настоящим фирма-изготовитель с полной ответственностью заявляет, что данное изделие соответствует действующим директивам и нормам. Копию декларации соответствия нормам см. в конце этого документа.

Техническая документация (оригиналы) хранится здесь:



2 Безопасность

2.1 Общие указания по технике безопасности для электроинструментов

⚠ ПРЕДУПРЕЖДЕНИЕ Изучите все указания по технике безопасности, инструкции, иллюстрации и технические данные, которые прилагаются к данному электроинструменту. Несоблюдение приводимых ниже указаний может привести к поражению электрическим током, пожару и/или тяжелым травмам.

Сохраните все указания по технике безопасности и инструкции для следующего пользователя.

Используемый далее термин «электроинструмент» относится к электроинструменту, работающему от электрической сети (с кабелем электропитания) и от аккумулятора (без кабеля электропитания).

Безопасность рабочего места

- ▶ Следите за чистой и хорошей освещенностью на рабочем месте. Беспорядок на рабочем месте или плохое освещение могут привести к несчастным случаям.
- ▶ Не используйте электроустройство/электроинструмент во взрывоопасной зоне, где имеются горючие жидкости, газы или пыль. При работе электроустройство/электроинструмент искрит, и искры могут воспламенить пыль или пары/газы.
- ▶ Не разрешайте детям и посторонним приближаться к работающему электроустройству/электроинструменту. Отвлекаясь от работы, можно потерять контроль над электроустройством/электроинструментом.

Электрическая безопасность

- ▶ Соединительная вилка электроинструмента должна соответствовать розетке электросети. Не изменяйте конструкцию вилки! Не используйте переходные вилки с электроинструментами с защитным заземлением. Использование оригинальных вилок и соответствующих им розеток снижает риск поражения электрическим током.
- ▶ Избегайте непосредственного контакта с заземленными поверхностями, например с трубами, отопительными приборами, газо-/электропластинами и холодильниками. При контакте с заземленными предметами возникает повышенный риск поражения электрическим током.
- ▶ Предохраняйте электроинструменты от дождя или воздействия влаги. В результате попадания воды в электроинструмент возрастает риск поражения электрическим током.
- ▶ Не используйте кабель электропитания не по назначению, например для переноски электроинструмента, его подвешивания или для выдергивания вилки из розетки электросети. Защищайте кабель электропитания от воздействий высоких температур, масла, острых кромок или вращающихся деталей/узлов. В результате повреждения или сплестывания кабелей электропитания повышается риск поражения электрическим током.
- ▶ Если работы с электроинструментом выполняются на открытом воздухе, применяйте только удлинительные кабели, которые разрешено использовать вне помещений. Использование удлинительного кабеля, пригодного для использования вне помещений, снижает риск поражения электрическим током.
- ▶ Если избежать работы с электроинструментом в условиях влажности не представляется возможным, используйте автомат защиты от тока утечки. Использование автомата защиты от тока утечки снижает риск поражения электрическим током.

Безопасность персонала

- ▶ Будьте внимательны, следите за своими действиями и серьезно относитесь к работе с электроинструментом. Не пользуйтесь электроинструментом, если вы устали или находитесь под действием наркотиков, алкоголя или медикаментов. Незначительная ошибка при невнимательной работе с электроинструментом может стать причиной серьезного травмирования.
- ▶ Используйте средства индивидуальной защиты и всегда надевайте защитные очки. Использование средств индивидуальной защиты, например респиратора, защитной обуви на нескользящей подошве, защитной каски или защитных наушников, в зависимости от вида и условий эксплуатации электроинструмента, снижает риск травмирования.
- ▶ Избегайте непреднамеренного включения электроинструмента. Убедитесь в том, что электроинструмент выключен, прежде чем подключить его к электропитанию и/или вставить аккумулятор, поднимать или переносить электроинструмент. Ситуации, когда при переноске электроинструмента палец находится на выключателе или когда выключенный электроинструмент подключается к электросети, могут привести к несчастным случаям.



- ▶ **Перед включением электроинструмента удалите регулировочные приспособления или гаечные ключи.** Рабочий инструмент или гаечный ключ, находящийся во вращающейся части электроинструмента, может стать причиной получения травм.
- ▶ **Старайтесь избегать неестественных поз при работе.** Постоянно сохраняйте устойчивое положение и равновесие. Это позволит лучше контролировать электроинструмент в непредвиденных ситуациях.
- ▶ **Носите спецодежду. Не надевайте очень свободную одежду или украшения. Оберегайте волосы, одежду и защитные перчатки от вращающихся узлов электроинструмента.** Свободная одежда, украшения и длинные волосы могут быть захвачены ими.
- ▶ **Если предусмотрено подсоединение устройств для удаления и сбора пыли, убедитесь в том, что они подсоединены и используются по назначению.** Использование пылеудаляющего аппарата снижает вредное воздействие пыли.
- ▶ **Не пребывайте в ложной уверенности в собственной безопасности и не пренебрегайте правилами техники безопасности для электроинструментов, даже если вы являетесь опытным пользователем электроинструмента.** Неосторожное обращение может в течение долей секунды стать причиной получения тяжелых травм.

Использование и обслуживание электроинструмента

- ▶ **Не допускайте перегрузки электроинструмента.** Используйте электроинструмент, предназначенный именно для данной работы. Соблюдение этого правила обеспечит более высокое качество и безопасное выполнение работы в указанном диапазоне мощностей.
- ▶ **Не используйте электроинструмент с неисправным выключателем.** Электроинструмент, включение или выключение которого затруднено, представляет опасность и должен быть отремонтирован.
- ▶ **Прежде чем приступить к регулировке электроинструмента, замене принадлежностей или перед перерывом в работе выньте вилку из розетки и/или аккумулятор из электроинструмента.** Данная мера предосторожности позволит предотвратить непреднамеренное включение электроинструмента.
- ▶ **Храните неиспользуемые электроинструменты в местах, недоступных для детей. Не позволяйте использовать электроинструмент лицам, которые не ознакомлены с ним или не читали эти инструкции.** Электроинструменты представляют собой опасность в руках неопытных пользователей.
- ▶ **Бережно обращайтесь с электроинструментами и принадлежностями. Проверяйте беспрепятное функционирование подвижных частей, легкость их хода, целостность и отсутствие повреждений, которые могли бы отрицательно повлиять на работу электроинструмента. Сдавайте поврежденные части электроинструмента в ремонт до его использования.** Причиной многих несчастных случаев является несоблюдение правил технического обслуживания электроинструментов.
- ▶ **Необходимо следить за тем, чтобы режущие инструменты были острыми и чистыми.** Затачивание содержащихся в надлежащем состоянии режущих инструментов происходит реже, ими легче управлять.
- ▶ **Применяйте электроинструмент, принадлежности (оснастку), рабочие инструменты и т. д. согласно данным указаниям. Учитывайте при этом рабочие условия и характер выполняемой работы.** Использование электроинструментов не по назначению может привести к опасным ситуациям.
- ▶ **Замасленные рукоятки и поверхности для хвата немедленно очищайте — они должны быть сухими и чистыми.** Скользкие рукоятки и поверхности для хвата не обеспечивают безопасное управление и контроль электроинструмента в непредвиденных ситуациях.

Использование и обслуживание аккумуляторного инструмента

- ▶ **Заряжайте аккумуляторы только с помощью зарядных устройств, рекомендованных изготовителем.** При использовании зарядного устройства для зарядки несоответствующих ему типов аккумуляторов существует опасность возгорания.
- ▶ **Используйте только оригинальные аккумуляторы, рекомендованные специально для этого электроинструмента.** Использование других аккумуляторов может привести к травмам и опасности возгорания.
- ▶ **Неиспользуемые аккумуляторы храните вдали от скрепок, монет, ключей, гвоздей, шурупов или других мелких металлических предметов, которые могут стать причиной замыкания контактов.** Замыкание контактов аккумулятора может привести к ожогам или возгоранию.
- ▶ **При неверном обращении с аккумулятором из него может вытечь электролит. Избегайте контакта с ним. При случайном контакте смойте водой. При попадании электролита в глаза немедленно обратитесь за помощью к врачу.** Вытекший из аккумулятора электролит может привести к раздражению кожи или ожогам.



- ▶ **Не используйте поврежденный или измененный аккумулятор.** Поврежденные или измененные аккумуляторы могут функционировать непредсказуемо и стать причиной возгорания, взрыва или травмирования.
- ▶ **Не подвергайте аккумулятор воздействию огня или слишком высоких температур.** Огонь или температура свыше 130 °C могут спровоцировать взрыв аккумулятора.
- ▶ **Соблюдайте все указания по зарядке и никогда не заряжайте аккумулятор или аккумуляторный инструмент вне температурного диапазона, указанного в руководстве по эксплуатации.** Неправильная зарядка/зарядка вне указанного в руководстве по эксплуатации температурного диапазона могут привести к разрушению аккумулятора и повышают опасность возгорания.

Сервис

- ▶ **Доверяйте ремонт своего электроинструмента только квалифицированному персоналу, исполняющему только оригинальные запчасти.** Этим обеспечивается поддержание электроинструмента в безопасном состоянии.
- ▶ **Категорически запрещается выполнять обслуживание поврежденных аккумуляторов.** Все технические работы с аккумуляторами должны выполняться только производителем или авторизованными сервисными мастерами.

2.2 Указания по технике безопасности при выполнении любых работ

Общие указания по технике безопасности при шлифовании, шлифовании абразивной шкуркой, крацевании, полировании и абразивной резке:

- ▶ **Этот электроинструмент предназначен для использования в качестве шлифмашины, инструмента для шлифования абразивной шкуркой, инструмента для крацевания, полировальной машины, инструмента для вырезания отверстий и машины для абразивной резки.** Соблюдайте все указания по технике безопасности, инструкции, схемы и данные, полученные вами вместе с электроинструментом. Несоблюдение нижеприведенных указаний может привести к поражению электрическим током, пожару и/или серьезным травмам.
- ▶ **Не переделывайте этот электроинструмент так, чтобы он работал не по назначению/с нарушением предписаний его производителя.** Такая переделка может привести к потере контроля и тяжелым травмам.
- ▶ **Не используйте принадлежности, которые не были разработаны и допущены изготовителем специально для этого электроинструмента.** То обстоятельство, что вам удалось закрепить какую-либо принадлежность на машине, не гарантирует вам его безопасной эксплуатации.
- ▶ **Предельно допустимая частота вращения, указанная на рабочем инструменте, не должна быть больше максимальной частоты вращения, указанной на электроинструменте.** Рабочий инструмент, вращающийся с частотой больше допустимой, может разрушиться.
- ▶ **Наружный диаметр и толщина рабочего инструмента должны соответствовать размерам электроинструмента.** Рабочие инструменты, размеры которых не соответствуют требуемым, не могут экранироваться или контролироваться в достаточной степени.
- ▶ **Рабочие инструменты с резьбой должны в точности подходить к шпинделю.** Диаметр посадочного отверстия рабочего инструмента, устанавливаемого с помощью фланца, должен соответствовать рабочему диаметру фланца. Рабочие инструменты, которые закреплены на электроинструменте неправильно, вращаются неравномерно, становятся причиной возникновения сильных вибраций и приводят к потере контроля.
- ▶ **Не используйте поврежденные рабочие инструменты.** Перед каждой эксплуатацией проверяйте рабочие инструменты (шлифкруги) на сколы и трещины, опорные тарелки на трещины, износ или сильное истирание, проволочные щетки на излом или отрыв проволоки. После падения электроинструмента или рабочего инструмента проверьте их на отсутствие повреждений или выполните замену рабочего инструмента. При использовании вращающегося рабочего инструмента работающий с электроинструментом и рядом стоящие лица должны находиться на безопасном расстоянии от него. Необходимо дать поработать электроинструменту в течение минуты или максимальной частотой вращения. Неисправные рабочие инструменты выходят из строя чаще всего во время этого контрольного промежутка времени.
- ▶ **Используйте средства индивидуальной защиты.** В зависимости от условий используйте защитную маску или защитные очки. При необходимости надевайте респиратор, защитные наушники, защитные перчатки или специальный фартук, который защитит вас от мелких частиц обрабатываемого материала. Необходимо обеспечить защиту глаз от попадания частиц, образующихся при выполнении различных работ. Возникающая при работе пыль должна задерживаться пылезащитным фильтром респиратора. При слишком долгом воздействии сильного шума возможна потеря слуха.



- ▶ Следите за тем, чтобы посторонние лица находились на безопасном расстоянии от рабочей зоны. Любой человек, находящийся в рабочей зоне, должен использовать средства индивидуальной защиты. Обломки заготовки или осколки разломившихся рабочих инструментов могут лететь в стороны и травмировать даже за пределами рабочей зоны.
- ▶ При опасности повреждения рабочим инструментом скрытой электропроводки держите электроинструмент только за изолированные поверхности. При контакте с токопроводящей линией металлические части электроинструмента также находятся под напряжением, что может привести к поражению электрическим током.
- ▶ Не кладите электроинструмент до полной остановки рабочего инструмента. Вращающийся рабочий инструмент может соприкоснуться с опорной поверхностью, вследствие чего вы можете потерять контроль над электроинструментом.
- ▶ Не допускайте включения электроинструмента во время его переноски. Вращающийся рабочий инструмент может случайно захватить края вашей одежды и при последующем вращении травмировать вас.
- ▶ Регулярно очищайте вентиляционные прорези электроинструмента. Повышенная концентрация металлической пыли, засасываемой в корпус двигателя, может создать опасность поражения электрическим током.
- ▶ Не используйте электроинструмент вблизи воспламеняющихся материалов. Попадание искр может воспалить горючие материалы.
- ▶ Не используйте рабочие инструменты, для эксплуатации которых требуется применение смазочно-охлаждающих жидкостей. Использование воды или других охлаждающих жидкостей может привести к опасности поражения электрическим током.

Отдача и соответствующие указания по технике безопасности

Отдача представляет собой неожиданную реакцию, возникающую при заедании или блокировке вращающегося рабочего инструмента (шлифкруга, тарельчатого шлифкруга, проволочной щетки и т. д.). Заедание или блокировка приводят к внезапной остановке вращающегося рабочего инструмента. Из-за противоположного направления вращения рабочего инструмента в месте блокировки происходит неконтролируемое движение электроинструмента.

При заедании или блокировке шлифкруга в заготовке кромка шлифкруга, погружаемая в заготовку, может застревать, что приводит к разлому круга или вызывает отдачу. При этом шлифкруг движется либо в направлении оператора, либо от него (в зависимости от направления вращения круга в момент блокировки). Это может также вызвать разрушение шлифкруга.

Отдача является следствием неправильного или ошибочного использования электроинструмента. При соблюдении нижеприведенных мер предосторожности этого можно избежать.

- ▶ Надежно держите машину двумя руками, приняв такое положение, при котором вы сможете амортизировать ее отдачу. Всегда используйте дополнительную рукоятку (при ее наличии), чтобы максимально контролировать отдачу или реактивные моменты, возникающие при разгоне электродвигателя. При условии соблюдения соответствующих мер предосторожности оператор может контролировать отдачу и реактивный момент.
- ▶ Не приближайте кисти рук к вращающимся рабочим инструментам. При отдаче рабочий инструмент может их зацепить.
- ▶ Избегайте попадания в зону, в которую смещается электроинструмент при отдаче. Отдача смещает электроинструмент от места блокировки в направлении, противоположном вращению рабочего инструмента.
- ▶ Будьте предельно внимательны при обработке углов, острых кромок и т. д. Не допускайте отскакивания и заедания рабочих инструментов в заготовке. Вращающийся рабочий инструмент при обработке углов, острых кромок или в случае его отскакивания может заедать. Это становится причиной потери контроля над машиной или возникновения отдачи.
- ▶ Не используйте режущий круг с цепным или зубчатым зацеплением, а также сегментированный алмазный круг со шлицами шириной более 10 мм. Использование таких рабочих инструментов зачастую вызывает отдачу или приводит к потере контроля над машиной.

Особые указания по технике безопасности при шлифовании и абразивной резке:

- ▶ Используйте только допущенные к эксплуатации с данным электроинструментом абразивные инструменты и соответствующий им защитный кожух. Абразивные круги, не предназначенные для данного электроинструмента, не могут экранироваться в достаточной степени и работают нестабильно.
- ▶ Выпуклые абразивные круги должны быть установлены таким образом, чтобы их рабочая поверхность не выступала за кромку защитного кожуха. Неправильно установленный абразивный круг, выступающий за кромку защитного кожуха, не может быть экранирован должным образом.



- ▶ **Защитный кожух должен быть надежно закреплен на электроинструменте и отрегулирован таким образом, чтобы обеспечить максимальную безопасность. Открытой должна оставаться лишь самая малая часть абразивного инструмента.** Защитный кожух служит для защиты оператора от осколков и случайного соприкосновения с абразивным инструментом, а также от искр, которые могут воспламенить одежду при попадании на нее.
- ▶ **Абразивные инструменты должны использоваться только по назначению.** так, например, категорически запрещается выполнять шлифование боковой поверхностью отрезного круга. Отрезные круги предназначены для съема материала кромкой круга. Воздействие, оказываемое на круг с боковой стороны, может стать причиной его разрушения.
- ▶ **Для установок шлифкруга всегда используйте неповрежденный зажимной фланец нужного размера и формы.** Подходящие по форме и размеру фланцы надежно фиксируют шлифкруг и снижают степень риска его разлома. Зажимные фланцы отрезных кругов могут отличаться от зажимных фланцев других шлифкругов.
- ▶ **Не используйте изношенные абразивные круги от машин большего размера.** Абразивные круги, изготовленные для машин большего размера, не рассчитаны на высокую частоту вращения малогабаритных машин и поэтому могут разрушиться.
- ▶ **Всегда используйте защитный кожух, предназначенный для того или иного применения, при работе с абразивными инструментами, пригодными для повторного использования.** Использование неподходящего защитного кожуха не обеспечивает полноценную защиту, что, в свою очередь, может привести к получению тяжелых травм.

Дополнительные указания по технике безопасности при абразивной резке:

- ▶ **Избегайте блокировки отрезного круга или слишком сильного давления прижима. Не выполняйте слишком глубоких резов.** Перегрузка отрезного круга увеличивает его износ и подверженность перекоосу или блокировке, а вместе с тем возможность появления отдачи или разрушения круга.
- ▶ **Избегайте нахождения в зоне перед вращающимся отрезным кругом и позади него.** При смещении отрезного круга в заготовке в направлении от себя электроинструмент в случае отдачи может отскочить прямо на вас вместе с вращающимся кругом.
- ▶ **В случае заклинивания отрезного круга или прерывания работы выключите машину и дождитесь, пока круг не остановится полностью. Никогда не пытайтесь вытянуть еще вращающийся отрезной круг из реза — возможна отдача.** Установите и устраните причину заклинивания.
- ▶ **Не включайте электроинструмент снова, если рабочий инструмент все еще находится в заготовке. Перед продолжением работы дождитесь, пока отрезной круг не разгонится до рабочей частоты вращения.** В противном случае возможно заедание круга, его выскакивание из заготовки или появление отдачи.
- ▶ **Подпирайте плиты или заготовки большого размера, чтобы снизить степень риска появления отдачи в случае заедания отрезного круга.** Габаритные заготовки могут прогнуться под действием собственного веса. Такие заготовки необходимо подпирать с двух сторон как вблизи места выполнения реза, так и вдоль кромки.
- ▶ **Будьте особенно осторожны при выполнении погружных резов в стенах или в других непрозрачных зонах.** При погружении отрезного диска во время резки газо- и водопроводов, электрических проводов или других объектов возможно появление отдачи.
- ▶ **Не пытайтесь выполнять резку по кривой.** Перегрузка отрезного круга увеличивает его износ и подверженность перекоосу или блокировке, а вместе с тем возможность появления отдачи или разрушения круга, что может привести к серьезным травмам.

Особые указания по технике безопасности при шлифовании с абразивной шкуркой

- ▶ **Используйте шлифлисты только подходящего размера. Следуйте указаниям изготовителя в отношении размера шлифлистов.** Шлифлисты, выходящие за размеры опорной тарелки, могут привести к травмам, а также заклинить, разорваться или вызвать отдачу.

Особые указания по технике безопасности при полировании:

- ▶ **Не допускайте наличия незакрепленных частей кожуха для полирования, в частности, крепежных шнуров. Убирайте или укорачивайте крепежные шнуры.** Незакрепленные, вращающиеся вместе с полировальным кругом крепежные шнуры могут захватить пальцы ваших рук или зацепиться за заготовку.

Особые указания по технике безопасности при выполнении работ с проволочными щетками (крацевании)

- ▶ **Учтите, что проволочные щетки теряют куски проволоки и при обычном использовании. Во время обработки не прижимайте щетки слишком сильно.** Отлетающие куски проволоки могут легко проходить через тонкую ткань одежды и/или проникать в кожу.



- ▶ В случаях, когда необходимо использовать защитный кожух, не допускайте его контакта с проволочной щеткой. Вследствие прижима и действия центробежных сил возможно увеличение диаметра тарельчатых и чашечных щеток.

2.3 Дополнительные указания по технике безопасности

Безопасность персонала

- ▶ Используйте сканер и его принадлежности только в технически исправном состоянии.
- ▶ Внесение изменений в конструкцию электроинструмента/принадлежностей или его/их модификация категорически запрещаются.
- ▶ Всегда надежно удерживайте машину обеими руками за предусмотренные для этого рукоятки. Рукоятки должны быть сухими и чистыми, не замасленными.
- ▶ Если шлифмашина используется без системы пылеудаления, при выполнении работ с образованием пыли надевайте легкий респиратор.
- ▶ Чтобы во время работы руки не затекали, время от времени делайте перерывы и упражнения для расслабления и разминки пальцев. Возникающие при длительной работе вибрации могут привести к нарушениям кровоснабжения сосудов или в нервных окончаниях пальцев/кистей рук или в запястьях.
- ▶ Не прикасайтесь к вращающимся узлам машины. Включайте шлифмашину только непосредственно в рабочей зоне. Прикосновение к вращающимся узлам, в особенности к вращающимся насадкам, может привести к травмам.
- ▶ Дождитесь, пока электроинструмент полностью не остановится, прежде чем отложить его в сторону.
- ▶ Шлифмашина не предназначена для использования физически слабыми лицами без соответствующего инструктажа. Держите шлифмашину в недоступном для детей месте.
- ▶ Пыль, возникающая при шлифовании, абразивной обработке, резке и сверлении, может содержать опасные химические вещества. Несколько примеров материалов, содержащих опасные вещества: свинец или краски на свинцовой основе; кирпич, бетон и другие материалы для кладки, природный камень и другие силикатсодержащие изделия; определенные виды древесины, такие как дуб, бук и химически обработанная древесина; асбест или материалы, содержащие асбест. Определите степень воздействия на оператора и окружающих лиц по классу опасности обрабатываемых материалов. Примите необходимые меры для обеспечения безопасного уровня воздействия, например, путем использования подходящих систем пылеудаления или ношения подходящих средств защиты органов дыхания. Общие меры по снижению опасного воздействия:
 - ▶ Работайте в хорошо проветриваемом помещении
 - ▶ Избегайте длительного контакта с пылью.
 - ▶ Удаляйте пыль с лица и тела.
 - ▶ Носите защитную одежду и промывайте открытые участки, подверженные воздействию, водой с мылом.
- ▶ Оператор, работающий с электроинструментом, и находящиеся вблизи от него лица должны носить подходящие защитные очки, защитные каски и защитные наушники.
- ▶ При замене рабочего инструмента подвешивайте защитные перчатки. Соблюдайте осторожность при замене рабочего инструмента — контакт с ним может привести к порезам и ожогам.
- ▶ Опасность травмирования вследствие падения рабочих инструментов и/или принадлежностей. Перед началом работы убедитесь в том, что аккумулятор и установленная принадлежность надежно закреплены.
- ▶ Всегда следите за чистотой вентиляционных прорезей. Опасность возгорания вследствие перекрытия вентиляционных прорезей!
- ▶ Включайте электроинструмент только после того, как вы приведете его в рабочее положение.
- ▶ Дождитесь, пока электроинструмент полностью не остановится, прежде чем отложить его в сторону.
- ▶ Если шлифмашиной будут распознаны превышение рабочих характеристик или разряженное состояние аккумулятора, может случиться так, что рабочий инструмент не сможет притормаживаться посредством двигателя.
- ▶ Не закрепляйте крепежный крючок на этом изделии.

Бережное обращение с электроинструментами и их правильная эксплуатация

- ▶ Храните шлифкруги и обращайтесь с ними в соответствии с указаниями их производителя.
- ▶ Пользоваться электроинструментом без защитного кожуха категорически запрещается.
- ▶ Надежно фиксируйте заготовку. Используйте для этого струбицы или тиски. Это надежнее, чем удерживать заготовку рукой, и при этом можно держать шлифмашину двумя руками.



- ▶ Использовать отрезные круги для обдирочного шлифования запрещается.
- ▶ Плотно затяните рабочий инструмент и фланец. Если рабочий инструмент и фланец затянуты неплотно, то после выключения возможна расфиксация рабочего инструмента на шпинделе при торможении двигателем электроинструмента.

Электрическая безопасность

- ▶ Перед началом работы проверяйте рабочую зону на наличие скрытой электропроводки, газо- и водопроводных труб. Открытые металлические части электроинструмента могут стать проводниками электрического тока или привести к взрыву, если случайно задеть (повредить) электропроводку, газо- или водопровод.
- ▶ При частой обработке токопроводящих материалов шлифмашина загрязняется, поэтому ее следует регулярно сдавать в сервисный центр **Hilti** для проверки. При неблагоприятных условиях влага и пыль, скапливающиеся на поверхности электроинструмента (особенно от токопроводящих материалов), могут вызвать удар электрическим током.

Рабочее место

- ▶ При сквозном сверлении ограждайте опасную зону с противоположной стороны стены. Вылетающие наружу или падающие вниз осколки могут травмировать других людей.
- ▶ Выборка пазов в несущих стенах и других конструкциях изменяет их прочность, особенно при перерезании арматуры или несущих конструкций. Перед началом работы проконсультируйтесь с инженером-строителем или другими ответственными лицами.

Дополнительные указания по использованию защитных кожухов

Во избежание нижеуказанных рисков всегда используйте подходящий защитный кожух, см. главу: «Назначение кругов и используемой оснастки».

- ▶ При использовании стандартного защитного кожуха с передней накладкой для плоского шлифования кожух может касаться обрабатываемой детали, в результате чего возможна потеря контроля.
- ▶ При использовании проволочной щетки, толщина которой превышает максимально допустимое значение, проволока может цепляться за защитный кожух и ломаться.
- ▶ При использовании стандартного защитного кожуха для абразивного отрезания с абразивными отрезными кругами существует повышенный риск травмирующего воздействия искр и частиц, а также осколков круга в случае его поломки.
- ▶ При использовании стандартного защитного кожуха с передней накладкой или без нее для абразивного отрезания и шлифования бетона или кирпичной кладки возникает значительная пылевая нагрузка и существует повышенный риск потери контроля над электроинструментом, что может привести к отдам.

2.4 Аккуратное обращение с аккумуляторами и их правильное использование

- ▶ **Соблюдайте следующие указания по технике безопасности для безопасного обращения и использования литий-ионных аккумуляторов.** Их несоблюдение может привести к раздражению кожи, серьезным травмам, химическим ожогам, возгоранию и/или взрывам.
- ▶ Используйте аккумуляторы только в технически исправном состоянии.
- ▶ Обращайтесь с аккумуляторами осторожно, чтобы не допустить повреждений и предотвратить выход жидкостей, представляющих серьезную опасность для здоровья!
- ▶ Категорически запрещается вносить изменения в конструкцию аккумуляторов или выполнять недопустимые манипуляции с ними!
- ▶ Запрещается разбирать, сдавливать, нагревать до температуры выше 80 °C (176 °F) или сжигать аккумуляторы.
- ▶ Не используйте или не заряжайте аккумуляторы, которые подвергались механическим (ударным) нагрузкам или получили повреждение каким-либо иным образом. Регулярно проверяйте используемые вами аккумуляторы на признаки повреждений.
- ▶ Категорически запрещается использовать восстановленные аккумуляторы или аккумуляторы после вторичной переработки.
- ▶ Категорически запрещается использовать аккумулятор или работающие от аккумулятора электроинструменты в качестве ударного инструмента.
- ▶ Категорически запрещается подвергать аккумуляторы воздействию прямого солнечного излучения, высокой температуры, искр или открытого пламени. Это может привести к взрывам.
- ▶ Не касайтесь аккумуляторных клемм (полюсов) пальцами, рабочими инструментами, украшениями или иными токопроводящими предметами. Это можно повредить аккумулятор, а также привести к материальному ущербу и травмам.



- ▶ Предохраняйте аккумуляторы от дождя, повышенной влажности и жидкостей. Проникшая влага может привести к коротким замыканиям, ударам электрическим током, ожогам, возгоранию или взрывам.
- ▶ Используйте только допущенные для данного типа аккумуляторов зарядные устройства и электроинструменты. Соблюдайте указания, приводимые в соответствующих руководствах по эксплуатации.
- ▶ Не используйте или не храните аккумулятор во взрывоопасных зонах.
- ▶ Слишком сильный нагрев аккумулятора (такой, что до него невозможно дотронуться) указывает на его возможный дефект. Разместите аккумулятор на безопасном расстоянии от воспламеняющихся материалов в хорошо просматриваемом и пожаробезопасном месте. Дайте остыть аккумулятору. Если по истечении одного часа аккумулятор все еще остается таким горячим, что его нельзя взять в руки, это означает, что он неисправен. Обратитесь в сервисную службу **Hilti** или изучите документ «Указания по технике безопасности и использованию литий-ионных аккумуляторов **Hilti**».



Соблюдайте специальные директивы по транспортировке, хранению и использованию литий-ионных аккумуляторов. → страница 176

Ознакомьтесь с указаниями по технике безопасности и использованию литий-ионных аккумуляторов **Hilti**, которые можно посмотреть путем сканирования QR-кода в конце этого руководства по эксплуатации.

3 Описание

3.1 Обзор электроинструмента



3.2 Использование по назначению

Данное изделие представляет собой ручную аккумуляторную угловую шлифмашину, предназначенную для абразивной резки и обдирочного шлифования металлических и минеральных материалов, крацевания, а также для шлифования с наждачной (абразивной) шкуркой без использования воды. Эта шлифмашинка может использоваться только для сухого шлифования/сухой абразивной резки.

- Для этого электроинструмента используйте только литий-ионные аккумуляторы **Hilti** Nuron серии В 22. Для обеспечения оптимальной мощности **Hilti** рекомендует использовать с этим электроинструментом аккумуляторы, указанные в таблице в конце этого руководства по эксплуатации.
- Для зарядки этих аккумуляторов используйте только зарядные устройства **Hilti**, указанные в таблице в конце этого руководства по эксплуатации.



3.3 Комплект поставки

Угловая шлифмашина, боковая рукоятка, стандартный защитный кожух, передняя накладка, зажимной фланец, зажимная гайка, зажимный ключ, пылевой фильтр, руководство по эксплуатации
Другие системные принадлежности, допущенные для использования с этим изделием, вы можете найти в **Hilti Store** или на сайте **www.hilti.group**

3.4 АТС

Электроинструмент оснащен системой экстренного электронного отключения электродвигателя АТС (Active Torque Control).

В случае блокировки или заклинивания рабочего инструмента электроинструмент начинает внезапное неконтролируемое вращение в противоположном направлении. Система АТС распознает это внезапное вращательное движение электроинструмента и мгновенно отключает его.



Для надлежащей работы электроинструмента необходимо обеспечить его функцию вращения.
После экстренного отключения выключите электроинструмент, а затем снова включите его.

3.5 Функция защиты двигателя

Функция защиты двигателя контролирует потребление тока, а также нагрев двигателя, защищая шлифмашину от перегрева.

При перегрузке двигателя вследствие слишком высокого давления прижима производительность электроинструмента заметно снижается вплоть до его полной остановки.



При остановке или снижении частоты вращения вследствие перегрузки следует уменьшить нагрузку на электроинструмент и дать поработать ему на холостом ходу ок. 30 с.

3.6 Встроенный тормоз

Благодаря встроенному тормозу сокращается время выбега рабочего инструмента вплоть до его полной остановки.



Эта функция активна только при запитывании электроинструмента током.
В зависимости от используемого рабочего инструмента время торможения может быть разным.

3.7 Передняя накладка

Используйте переднюю накладку со стандартным защитным кожухом для нижеприведенных областей применения:

- обдирочное шлифование с прямыми обдирочными шлифкругами;
- абразивная резка с отрезными шлифкругами.

3.8 Пылезащитный кожух (для резки) DC-EX 125/5" С, компактный кожух (принадлежность)

Для абразивной резки минеральных оснований с использованием алмазных отрезных кругов следует использовать компактный кожух DC-EX 125/5" С.

Обработка металла с использованием этого кожуха запрещена.

3.9 Кожух для удаления пыли (при резке) DC-EX 125/5"М (принадлежность)

Абразивное отрезание и штробление минеральных материалов с алмазными отрезными кругами должны выполняться только с пылезащитным кожухом.

ОСТОРОЖНО Обработка металла с использованием этого кожуха запрещена.

3.10 Пылезащитный кожух (для шлифования) DG-EX 125/5" (принадлежность)

Электроинструмент предназначен только для нерегулярного шлифования минеральных материалов с использованием алмазных чашечных кругов.

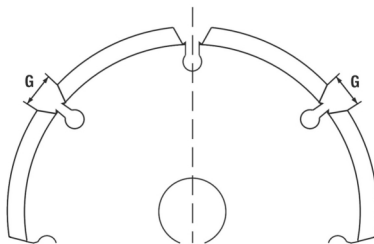
Обработка металла с использованием этого кожуха запрещена.



3.11 Геометрия подходящих алмазных пазрезных кругов

Алмазные пазрезные круги должны соответствовать нижеуказанным требованиям относительно их геометрии.

Технические данные	
Ширина шtroбы между сегментами (G)	≤ 10 мм
Угол резки	отрицательный



3.12 Индикации состояния литий-ионного аккумулятора

Литий-ионные аккумуляторы **Hilti** Nuron оснащены светодиодами для индикации уровня заряда, сигналов ошибки и состояния батареи.

3.12.1 Индикация уровня заряда и сигналов ошибки

ПРЕДУПРЕЖДЕНИЕ

Опасность травмирования вследствие падения аккумулятора!

- ▶ При вставленном аккумуляторе путем нажатия кнопки разблокировки убедитесь в правильной повторной фиксации аккумулятора в используемом электроинструменте.

Для получения одной из следующих индикаций коротко нажмите кнопку разблокировки аккумулятора. Уровень заряда, а также возможные неисправности также отображаются в течение всего времени, пока подключенный (к аккумулятору) электроинструмент включен.

Состояние	Значение
Четыре (4) светодиода непрерывно горят зеленым.	Уровень заряда: от 100 % до 71 %
Три (3) светодиода непрерывно горят зеленым.	Уровень заряда: от 70 % до 51 %
Два (2) светодиода непрерывно горят зеленым.	Уровень заряда: от 50 % до 26 %
Один (1) светодиод непрерывно горит зеленым.	Уровень заряда: от 25 % до 10 %
Один (1) светодиод мигает зеленым с низкой частотой.	Уровень заряда: < 10 %
Один (1) светодиод мигает зеленым с высокой частотой.	Литий-ионный аккумулятор полностью разряжен. Зарядите аккумулятор. Если светодиод после зарядки аккумулятора все еще мигает с высокой частотой, обратитесь в сервисную службу Hilti .
Один (1) светодиод мигает желтым с высокой частотой.	Литий-ионный аккумулятор или подключенный к нему электроинструмент перегружены, слишком горячие, слишком холодные или имеет место другая ошибка. Обеспечьте доведение электроинструмента и аккумулятора до рекомендуемой рабочей температуры и не перегружайте электроинструмент при его использовании. Если сигнал остается, обратитесь в сервисную службу Hilti .
Один (1) светодиод горит желтым.	Литий-ионный аккумулятор и сопряженный с ним электроинструмент не совместимы друг с другом. Обратитесь в сервисный центр Hilti .
Один (1) светодиод мигает красным с высокой частотой.	Литий-ионный аккумулятор заблокирован и его дальнейшее использование невозможно. Обратитесь в сервисный центр Hilti .



3.12.2 Индикаторы состояния аккумулятора

Для запроса состояния аккумулятора удерживайте кнопку разблокировки нажатой в течение более 3 с. Система не распознает потенциальное нарушение работы аккумуляторной батареи вследствие неправильного обращения, например, падения, проколов, внешнего термического воздействия и т. д.

Состояние	Значение
Все светодиоды загораются в виде бегущего огня, после чего один (1) светодиод горит зеленым.	Аккумулятор можно продолжать использовать.
Все светодиоды загораются в виде бегущего огня, после чего один (1) светодиод мигает желтым с высокой частотой.	Не удалось завершить запрос состояния аккумулятора. Повторите процесс или обратитесь в сервисную службу Hilti .
Все светодиоды загораются в виде бегущего огня, после чего один (1) светодиод горит красным.	В случае возможности дальнейшего использования подключенного электроинструмента оставшаяся емкость аккумулятора составляет ниже 50 %. Если подключенный электроинструмент больше использовать невозможно, ресурс аккумулятора исчерпан и аккумулятор следует заменить. Обратитесь в сервисный центр Hilti .

4 Расходные материалы

Разрешается использовать только круги со связующим из синтетической смолы и с добавлением волокон для опорной тарелки макс. Ø 125 мм, рассчитанные на частоту вращения не менее 11 000 об/мин и окружную скорость 80 м/с.

ВНИМАНИЕ! Для резки и штробления с использованием абразивных отрезных кругов всегда используйте стандартный защитный кожух с передней накладкой (принадлежность) или полностью закрытый пылезащитный кожух.

Круги

Тип	Область применения	Условные обозначения	Базовый материал (основание)	макс. толщина	макс. диаметр
Абразивный отрезной круг	абразивное отрезание, штробление	AC-D	обработка металла	2,5 мм	125 мм
Алмазный отрезной круг	абразивное отрезание, штробление	DC-TP, DC-D (SPX, SP, P)	обработка минеральных материалов	3 мм	125 мм
Абразивный обдирочный круг	обдирочное шлифование	AG-D, AF-D, AN-D	обработка металла	6,4 мм	125 мм
Алмазный обдирочный круг	обдирочное шлифование	DG-CW (SPX, SP, P)	обработка минеральных материалов	—	125 мм
Проволочная щетка	крацевание	3CS, 4CS, 3SS, 4SS	обработка металла	— 27 мм	75 мм 125 мм
Алмазная коронка	сверление керамической плитки	DD-M14	обработка минеральных материалов	—	125 мм
Фибровый круг	обдирочное шлифование	AP-D	обработка металла	—	125 мм

Назначение кругов и используемой оснастки

Поз.	Комплектация	AC-D	AP-D	AG-D, AF-D, AN-D	DG-CW (SPX, SP, P)	DC-TP, DC-D (SPX, SP, P)	3CS, 4CS, 3SS, 4SS, DD-M14
A	Защитный кожух (стандартный)	✓	✓	✓	✓	✓	✓



Поз.	Комплектация	AC-D	AP-D	AG-D, AF-D, AN-D	DG-CW (SPX, SP, P)	DC-TP, DC-D (SPX, SP, P)	3CS, 4CS, 3SS, 4SS, DD-M14
B	Передняя накладка (в комбинации с А)	✓	—	—	—	✓	—
C	Пылезащитный кожух (для шлифо- вания) DG-EX 125/5"	—	—	—	✓	—	—
D	Пылезащитный ко- жух (для отрезания) DC-EX 125/5"С (в комбинации с А)	—	—	—	—	✓	—
E	Пылезащитный ко- жух (для штробле- ния) DC-EX 125/5"М	—	—	—	—	✓	—
F	Переходник DC- EX SL (в комбинации с E)	—	—	—	—	✓	—
G	Боковая рукоятка (стандартная)	✓	✓	✓	✓	✓	✓
H	Зажимная гайка (стандартная)	✓	—	✓	✓	✓	—
I	Зажимной фланец (стандартный)	✓	—	✓	✓	✓	—
J	Kwik lock (опция для H)	✓	—	✓	—	✓	—
K	Зажимная гайка (для фибрового круга)	—	✓	—	—	—	—
L	Опорная тарелка (для фибрового круга)	—	✓	—	—	—	—

5 Технические данные

	AG 4S-22-125
Номинальное напряжение	21,6 В
Номинальная частота вращения	8 500 об/мин
Максимальный диаметр круга	125 мм
Масса согласно методу ЕРТА 01 без аккумулятора	2,1 кг
Резьба шпинделя привода	M14
Длина шпинделя	22 мм
Температура окружающей среды при эксплуатации	-17 °С ... 60 °С (1 °F ... 140 °F)
Температура хранения	-20 °С ... 70 °С (-4 °F ... 158 °F)

5.1 Аккумулятор

Рабочее напряжение аккумулятора	21,6 В
Масса аккумулятора	См. в конце этого руководства по эксплуатации



Температура окружающей среды при эксплуатации	-17 °C ... 60 °C (1 °F ... 140 °F)
Температура хранения	-20 °C ... 40 °C (-4 °F ... 104 °F)
Температура аккумулятора в начале зарядки	-10 °C ... 45 °C (14 °F ... 113 °F)

5.2 Данные о шуме и вибрации 62841-2-3:2021

Приводимые здесь значения уровня звукового давления и вибрации были измерены согласно стандартизированной процедуре измерения и могут использоваться для сравнения электроинструментов между собой. Они также подходят для предварительной оценки вредных воздействий.

Указанные данные применимы к основным областям применения электроинструмента. Однако, если электроинструмент используется для других целей, с другими рабочими (сменными) инструментами или в случае его неудовлетворительного технического обслуживания, данные могут быть иными. Вследствие этого в течение всего периода работы электроинструмента возможно значительное увеличение вредных воздействий.

Для точного определения вредных воздействий следует также учитывать промежутки времени, в течение которых электроинструмент находится в выключенном состоянии или работает вхолостую. Вследствие этого в течение всего периода работы электроинструмента возможно заметное уменьшение вредных воздействий.

Примите дополнительные меры безопасности для защиты пользователя от воздействия возникающего шума и/или вибраций, например: техническое обслуживание электроинструмента и рабочих (сменных) инструментов, сохранение тепла рук, правильная организация рабочих процессов.

Шлифование тонких металлических листов или других слегка вибрирующих материалов/конструкционных элементов с большой площадью поверхности может привести к уровню шума, который значительно превышает указанные значения шумовой нагрузки. Приняв соответствующие меры по снижению возникающего при этом шума (например, путем размещения толстых гибких изоляционных матов), можно снизить уровень шумовой нагрузки. При оценке опасного воздействия шумовой нагрузки и выборе подходящих средств защиты органов слуха всегда учитывайте эти повышенные значения.

Данные о шуме

	AG 4S-22-125
Значение уровня звукового давления (L_{pA})	89 дБ(A)
Погрешность уровня звукового давления (K_{pA})	3 дБ(A)
Уровень звуковой мощности (L_{WA})	97 дБ(A)
Погрешность уровня звуковой мощности (K_{WA})	3 дБ(A)

Данные о вибрации

Использование в других целях, например для резки (отрезания), может привести к отклонениям значений вибрации.

		AG 4S-22-125
Шлифование поверхностей ($a_{h,AG}$)	B 22-55	5,1 м/с ²
	B 22-255	5,4 м/с ²
Погрешность (K)		1,5 м/с ²

6 Подготовка к работе



ПРЕДУПРЕЖДЕНИЕ

Опасность травмирования вследствие непреднамеренного пуска!

- ▶ Перед установкой аккумулятора убедитесь в том, что соответствующий электроинструмент выключен.
- ▶ Прежде чем приступить к регулировке электроинструмента или замене принадлежностей выньте аккумулятор из электроинструмента.

Соблюдайте указания по технике безопасности и предупреждающие указания, приводимые в данном документе и на изделии.



6.1 Зарядка аккумулятора

1. Перед зарядкой изучите руководство по эксплуатации зарядного устройства.
2. Убедитесь в том, что контакты аккумулятора и зарядного устройства чистые и сухие.
3. Заряжайте аккумулятор только в допущенном к эксплуатации зарядном устройстве. → страница 165

6.2 Установка аккумулятора

ПРЕДУПРЕЖДЕНИЕ

Опасность травмирования вследствие короткого замыкания или падения аккумулятора!

- ▶ Перед установкой аккумулятора убедитесь в чистоте его контактов и контактов электроинструмента.
- ▶ Всегда проверяйте, правильно ли зафиксирован аккумулятор.

1. Перед первым вводом в эксплуатацию полностью зарядите аккумулятор.
2. Прижмите аккумулятор так, чтобы он зафиксировался в аккумуляторном отсеке с характерным щелчком.
3. Проверьте надежность фиксации аккумулятора.

6.3 Извлечение аккумулятора

1. Нажмите кнопку деблокировки аккумулятора.
2. Извлеките аккумулятор из инструмента.

6.4 Монтаж защиты Hilti от случайного срабатывания при падении электроинструмента (опция)



Строго соблюдайте национальные директивы по выполнению работ на достаточно большой высоте при использовании данного электроинструмента.

Соблюдайте указания руководства по эксплуатации защиты от случайного срабатывания при падении инструмента.

1. Уложите обе накладки защиты от случайного срабатывания при падении инструмента точно на искрозащитную пластину.
2. Закрепите защиту от случайного срабатывания при падении инструмента с использованием входящих в комплект винтов через отверстия в искрозащитной пластине.
3. Установите аккумулятор. → страница 171

6.5 Защита от падения

ПРЕДУПРЕЖДЕНИЕ

Опасность травмирования вследствие падения электроинструмента и/или принадлежности!

- ▶ Используйте только предусмотренный для этого электроинструмента удерживающий трос **Hilti** для инструментов.
- ▶ Перед каждым использованием проверяйте точку крепления удерживающего троса для инструментов на возможные повреждения.



Соблюдайте национальные директивы по выполнению высотных работ.

Для защиты этого устройства от падения используйте только комбинацию из предохранителя **Hilti** для предупреждения случайного срабатывания при ударе #2293133 и удерживающего троса для инструментов **Hilti** #2261970.

- ▶ Закрепите предохранитель для предупреждения случайного срабатывания при ударе в монтажных отверстиях для принадлежностей. Проверьте надежность фиксации.



- ▶ Закрепите один крючок-карабин удерживающего троса для инструментов на предохранителе для предупреждения случайного срабатывания при ударе, а второй — на несущей конструкции. Проверьте надежность фиксации.



Соблюдайте указания из руководств по эксплуатации предохранителя **Hilti** для предупреждения случайного срабатывания при ударе, а также удерживающего троса для инструментов **Hilti**.

6.6 Установка боковой рукоятки

- ▶ Ввинтите боковую рукоятку в одну из предусмотренных для нее резьбовых втулок.

6.7 Установка/снятие защитного кожуха



ОСТОРОЖНО

Опасность травмирования Рабочий инструмент может нагреваться или иметь острые кромки.

- ▶ В ходе установки/снятия, регулировки и устранения неисправностей пользуйтесь защитными перчатками.
- ▶ Ознакомьтесь с инструкцией по монтажу соответствующего защитного кожуха.

6.7.1 Установка стандартного защитного кожуха



Защитный кожух имеет специальные выступы, которые позволяют устанавливать только подходящий к электроинструменту защитный кожух. Специальные выступы защитного кожуха фиксируются в пазах, расположенных на электроинструменте.

1. Установите защитный кожух на шейку шпинделя таким образом, чтобы обе метки в виде треугольника (на защитном кожухе и на шлифмашине) располагались напротив друг друга.
2. Прижмите защитный кожух к шейке шпинделя.
3. Нажмите кнопку (рас)фиксации кожуха и поворачивайте защитный кожух, пока он не зафиксируется в нужном положении.
 - ▶ Кнопка (рас)фиксации кожуха вернется в исходное положение.

6.7.2 Регулировка стандартного защитного кожуха

- ▶ Нажмите кнопку (рас)фиксации кожуха и поворачивайте защитный кожух, пока он не зафиксируется в нужном положении.

6.7.3 Снятие стандартного защитного кожуха

1. Нажмите кнопку (рас)фиксации кожуха и поворачивайте защитный кожух до тех пор, пока обе отметки в виде треугольника (на защитном кожухе и на шлифмашине) не установятся напротив друг друга.
2. Снимите защитный кожух.

6.8 Установка/снятие передней накладки



Передняя накладка должна устанавливаться на стандартный защитный кожух.

1. Установите переднюю накладку закрытой стороной вверх на стандартный защитный кожух
 - ▶ Накладка должна зафиксироваться с характерным щелчком.
2. Для снятия разблокируйте фиксацию передней накладки.
3. Снимите переднюю накладку со стандартного защитного кожуха.

6.9 Установка/снятие рабочих инструментов



ОСТОРОЖНО

Опасность травмирования Рабочий инструмент может нагреваться.

- ▶ При смене рабочего инструмента пользуйтесь защитными перчатками.



i Алмазные круги подлежат замене сразу после заметного снижения их производительности резания/шлифования. Как правило, замена необходима, если высота алмазных сегментов становится меньше 2 мм.

Круги других типов подлежат замене, как только станет заметным снижение их производительности резания или если детали угловой шлифмашины (за исключением самого круга) начнут касаться обрабатываемого материала во время работы.

Абразивные круги подлежат замене по истечении их срока эксплуатации.

6.9.1 Установка рабочего инструмента

ПРЕДУПРЕЖДЕНИЕ

Опасность травмирования При торможении двигателем электроинструмента возможна расфиксация рабочего инструмента.

- ▶ Подождите, пока рабочий инструмент остановится, прежде чем брать руками за него или за зажимную гайку.
- ▶ Затяните рабочий инструмент и зажимной фланец с помощью зажимной гайки таким образом, чтобы при торможении двигателем электроинструмента исключить расфиксацию любых деталей на шпинделе.

1. Очистите зажимной фланец и зажимную гайку.
2. Проверьте, установлено ли кольцо круглого сечения в зажимном фланце и не имеет ли оно повреждений.
 - ▶ Замените отсутствующее или поврежденное кольцо круглого сечения.
3. Плотно (без зазоров и без возможности проворачивания) насадите зажимной фланец на шпиндель.
4. Установите рабочий инструмент.
5. Завинтите зажимную гайку с учетом установленного рабочего инструмента.
6. Нажмите и удерживайте нажатой кнопку блокировки шпинделя.
7. С помощью зажимного ключа затяните зажимную гайку, после чего отпустите кнопку блокировки шпинделя и снимите зажимный ключ.

6.9.2 Снятие рабочего инструмента

ПРЕДУПРЕЖДЕНИЕ

Опасность излома и разрушения! При нажатии кнопки блокировки шпинделя во время его вращения возможна расфиксация рабочего инструмента.

- ▶ Нажимайте кнопку блокировки шпинделя только при неподвижном шпинделе.

1. Нажмите и удерживайте нажатой кнопку блокировки шпинделя.
2. Ослабьте зажимную гайку, установив на нее зажимный ключ и повернув его против часовой стрелки.
3. Отожмите кнопку блокировки шпинделя и извлеките рабочий инструмент.

6.9.3 Монтаж **Kwik lock**

ПРЕДУПРЕЖДЕНИЕ

Опасность излома! Вследствие значительного износа быстрозажимная гайка **Kwik lock** может сломаться.

- ▶ Следите за тем, чтобы во время работы быстрозажимная гайка **Kwik lock** не соприкасалась с основанием.
- ▶ Не используйте поврежденную быстрозажимную гайку **Kwik lock**.

i Вместо зажимной гайки можно также использовать быстрозажимную гайку **Kwik lock** (опция). Она позволяет менять рабочие инструменты без использования дополнительного инструмента.

1. Очистите зажимной фланец и зажимную гайку.
2. Проверьте, установлено ли кольцо круглого сечения в зажимном фланце и не имеет ли оно повреждений.
 - ▶ Замените отсутствующее или поврежденное кольцо круглого сечения.
3. Плотно (без зазоров и без возможности проворачивания) насадите зажимной фланец на шпиндель.



4. Установите рабочий инструмент.
5. Навинтите быстрозажимную гайку **Kwik lock** до ее посадки на рабочий инструмент.
 - ▶ В навинченном состоянии видна надпись **Kwik lock**.
6. Нажмите кнопку фиксатора шпинделя и удерживайте ее нажатой.
7. Проворачивайте рабочий инструмент рукой по часовой стрелке до тех пор, пока быстрозажимная гайка **Kwik lock** не затянется до упора.
8. Отпустите кнопку фиксатора шпинделя.

6.9.4 Демонтаж **Kwik lock**



Если быстрозажимная гайка **Kwik lock** не отвинчивается вручную, установите зажимный ключ на быстрозажимную гайку и поверните его в направлении против часовой стрелки. Категорически запрещается использовать газовый ключ. Быстрозажимная гайка **Kwik lock** может быть повреждена неподходящим рабочим инструментом.

1. Нажмите кнопку фиксатора шпинделя.
2. Отпустите быстрозажимную гайку **Kwik lock**, повернув ее рукой против часовой стрелки.
3. Отожмите кнопку блокировки шпинделя и извлеките рабочий инструмент.

6.9.5 Установка сверлильной коронки **11**

1. Установите боковую рукоятку. → страница 172
2. Установите стандартный защитный кожух.
3. Установите сверлильную коронку и закрутите ее от руки.
4. Нажмите и удерживайте нажатой кнопку блокировки шпинделя.
5. Затяните коронку с помощью подходящего гаечного ключа.
6. После этого отпустите кнопку блокировки шпинделя и снимите гаечный ключ.

6.9.6 Установка проволочной щетки **12**

1. Установите боковую рукоятку. → страница 172
2. Установите стандартный защитный кожух.
3. Установите проволочную щетку и закрутите ее от руки.
4. Нажмите и удерживайте нажатой кнопку блокировки шпинделя.
5. Затяните проволочную щетку с помощью подходящего гаечного ключа.
6. После этого отпустите кнопку блокировки шпинделя и снимите гаечный ключ.

6.9.7 Установка фибрового круга **13**

1. Установите боковую рукоятку. → страница 172
2. Установите стандартный защитный кожух.
3. Установите опорную тарелку и фибровый круг и завинтите зажимную гайку.
4. Нажмите и удерживайте нажатой кнопку блокировки шпинделя.
5. Затяните зажимную гайку с помощью зажимного ключа.
6. После этого отпустите кнопку блокировки шпинделя и снимите ключ.

7 Управление

7.1 Включение

1. Нажмите на заднюю часть выключателя.
2. Сдвиньте выключатель вперед.
 - ▶ Двигатель заработает.
3. Заблокируйте выключатель.

7.2 Шлифование



ПРЕДУПРЕЖДЕНИЕ

Опасность травмирования Рабочий инструмент может внезапно заклинить.

- ▶ Пользуйтесь электроинструментом с боковой рукояткой и всегда надежно удерживайте его обеими руками.



Не допускайте заклинивания рабочего инструмента и избегайте чрезмерного нажима на электроинструмент.

7.3 Абразивная резка

- ▶ При абразивной резке работайте с умеренной подачей, не допуская перекоса шлифмашины или абразивного отрезного круга (выполняйте резку под углом прим. 90° к плоскости разделения).



Профили и небольшие трубы прямоугольного сечения лучше всего (от)резать на участках с минимальным поперечным сечением.

7.4 Обдирочное шлифование



ПРЕДУПРЕЖДЕНИЕ

Опасность травмирования Абразивный круг может разлететься на части, что может привести к получению травм.

- ▶ Использовать абразивные отрезные круги для обдирочного шлифования запрещается.
- ▶ Выполняйте подачу шлифмашины (вперед–назад) под углом в диапазоне от 5° до 30° с небольшим нажимом.
 - ▶ Благодаря этому заготовка не нагреется слишком сильно, не изменится цвет ее поверхности и на ней не останется никаких следов обработки.

7.5 Выключение

- ▶ Нажмите на заднюю часть выключателя.
 - ▶ Выключатель установится в положение «Выкл.» и двигатель остановится.

8 Уход и техническое обслуживание



ПРЕДУПРЕЖДЕНИЕ

Опасность травмирования при установленном аккумуляторе !

- ▶ Перед проведением любых работ по уходу и обслуживанию всегда извлекайте аккумулятор!



ОПАСНО

Поражение электрическим током вследствие отсутствия защитной изоляции. В жестких условиях эксплуатации при обработке металлов внутри электроинструмента возможно осаждение токопроводящей пыли (например металл, углеродные волокна), что может нарушить защитную изоляцию.

- ▶ В жестких условиях эксплуатации используйте стационарную систему вытяжки.
- ▶ Регулярно очищайте вентиляционные прорези.

Уход за дозатором

- Удаляйте налипшую грязь с осторожностью.
- Очищайте корпус только слегка увлажненной тканью. Не используйте средства по уходу с содержанием силикона, поскольку они могут повредить пластиковые детали.
- Для очистки контактов электроинструмента используйте чистую сухую тряпку.

Уход за литий-ионными аккумуляторами

- Категорически запрещается использовать аккумулятор с забитыми вентиляционными прорезями. Осторожно очистите вентиляционные прорези сухой мягкой щеткой.
- Не допускайте чрезмерного запыления или загрязнения аккумулятора. Категорически запрещается подвергать аккумулятор чрезмерному воздействию влаги (например, опускать его в воду или оставлять под дождем).

Если аккумулятор промокнет, обращайтесь с ним, как с поврежденным. Поместите его в контейнер из негорючего материала и обратитесь в сервисную службу **Hilti**.

- Аккумулятор должен быть чистым, без следов масла и смазки. Не допускайте чрезмерного скопления пыли или грязи на аккумуляторе. Очищайте аккумулятор сухой мягкой кистью или чистой и сухой тряпкой. Не используйте средства по уходу с содержанием силикона, поскольку они могут повредить пластиковые детали.

Не прикасайтесь к контактам аккумулятора и не удаляйте с них смазку, нанесенную на заводе.



- Очищайте корпус только слегка увлажненной тканью. Не используйте средства по уходу с содержанием силикона, поскольку они могут повредить пластиковые детали.

Техническое обслуживание

- Регулярно проверяйте все видимые части электроинструмента на отсутствие повреждений, а элементы управления — на исправное функционирование.
- При повреждениях и/или функциональных сбоях не используйте электроинструмент. Незамедлительно сдайте электроинструмент для ремонта в сервисный центр **Hilti**.
- После ухода за электроинструментом и его технического обслуживания установите все защитные приспособления на место и проверьте их исправное функционирование.



Для обеспечения безопасной эксплуатации используйте только оригинальные запасные части и расходные материалы. Допущенные **Hilti** запасные части, расходные материалы и принадлежности для этого электроинструмента вы можете найти в **Hilti Store** или на: www.hilti.group

9 Транспортировка и хранение аккумуляторных инструментов и аккумуляторов

Транспортировка



ОСТОРОЖНО

Непреднамеренное включение в ходе транспортировки !

- ▶ При транспортировке своих электроинструментов всегда отсоединяйте от них аккумуляторы!
- ▶ Извлеките аккумулятор(ы).
- ▶ Категорически запрещается транспортировать аккумуляторы без упаковки (бестарным способом). Во время транспортировки необходимо принять меры по защите аккумуляторов от сильных ударов и вибраций и изолировать их от любых токопроводящих материалов или других аккумуляторов, чтобы не допустить их контакта с клеммами других аккумуляторов и, как следствие этого, короткого замыкания. **Соблюдайте действующие предписания по транспортировке аккумуляторов.**
- ▶ Запрещается пересылать аккумуляторы по почте. Обратитесь в транспортно-экспедиционную компанию, если вы хотите переслать поврежденные аккумуляторы.
- ▶ Перед каждым использованием, а также перед длительной транспортировкой и после нее проверьте электроинструмент и аккумуляторы на отсутствие повреждений.

Хранение



ПРЕДУПРЕЖДЕНИЕ

Непреднамеренное повреждение вследствие неисправных или протекающих аккумуляторов !

- ▶ При хранении своих электроинструментов всегда отсоединяйте от них аккумуляторы!
- ▶ По возможности храните фонарь и аккумуляторы в сухом и прохладном месте. Соблюдайте ограничения по температуре, приводимые в технических характеристиках.
- ▶ Не храните аккумуляторы на зарядном устройстве. После зарядки всегда извлекайте аккумулятор из зарядного устройства.
- ▶ Никогда не оставляйте аккумуляторы на солнце, на нагревательных/отопительных элементах или за стеклом.
- ▶ Храните фонарь и аккумуляторы в недоступном для детей и посторонних лиц месте.
- ▶ Перед каждым использованием, а также перед длительным хранением и после него проверяйте электроинструмент и аккумуляторы на отсутствие повреждений.

10 Помощь при неисправностях

При любых неисправностях следите за индикатором уровня заряда и неисправностей аккумулятора. См. главу **Индикации состояния литий-ионного аккумулятора**.

В случае неисправностей, которые не указаны в этой таблице или которые вы не можете устранить самостоятельно, обращайтесь в ближайший сервисный центр **Hilti**.

Неисправность	Возможная причина	Решение
Электроинструмент не включается.	Аккумулятор разряжен.	▶ Замените аккумулятор и зарядите разряженный аккумулятор.



Неисправность	Возможная причина	Решение
Аккумулятор разряжается быстрее, чем обычно.	Очень низкая температура окружающей среды	► Обеспечьте постепенный нагрев аккумулятора до комнатной температуры.
При установке аккумулятора не слышно характерного щелчка.	Грязь на фиксирующем выступе аккумулятора	► Очистите фиксирующий выступ и установите аккумулятор повторно.
Чрезмерный нагрев угловой шлифмашины или аккумулятора.	Электрическая неисправность	► Немедленно выключите дозатор, извлеките аккумулятор и наблюдайте за ним, дайте остыть аккумулятору и свяжитесь с сервисной службой Hilti .
	Забитые вентиляционные прорези	► Регулярно очищайте вентиляционные прорези.
Не срабатывает функция торможения двигателя.	Аккумулятор разряжен.	► Замените аккумулятор и зарядите разряженный аккумулятор.
	Кратковременная перегрузка электроинструмента.	► Выключите шлифмашину, а затем снова включите ее.

11 Утилизация

ПРЕДУПРЕЖДЕНИЕ

Опасность травмирования вследствие неправильной утилизации! Опасность для здоровья вследствие выхода газов или жидкостей.

- Не пересылайте поврежденные аккумуляторы!
- Закрывайте аккумуляторные контакты не проводящим ток материалом, чтобы избежать коротких замыканий.
- Утилизируйте аккумуляторы так, чтобы исключить их попадание в руки детей.
- Утилизируйте аккумулятор через ближайший **Hilti Store** или обратитесь в специализированную фирму по утилизации.

Большинство материалов, из которых изготовлены устройства **Hilti**, подлежат вторичной переработке. Перед утилизацией следует тщательно рассортировать материалы (для удобства их последующей переработки). Во многих странах фирма **Hilti** уже организовала прием бывших в использовании электрических и электронных устройств (инструментов, приборов) для утилизации. Дополнительную информацию по этому вопросу можно получить в отделе по обслуживанию клиентов или у консультантов по продажам фирмы **Hilti**.



- Не выбрасывайте электрические инструменты, электронные устройства/приборы и аккумуляторы вместе с обычным мусором!

12 Гарантия производителя

- С вопросами по поводу гарантийных условий обращайтесь в ближайшее представительство **Hilti**.

13 Дополнительная информация

Дополнительную информацию относительно управления, технического оснащения, защиты окружающей среды и повторного использования см. по следующей ссылке: qr.hilti.com/manual/?id=2252233&id=2252235&id=2251374

Эта ссылка также приводится в конце документа в виде QR-кода.



Оригінальна інструкція з експлуатації

1 Інформація щодо інструкції з експлуатації

1.1 Про цю інструкцію з експлуатації

- **Попередження!** Перед використанням продукту слід обов'язково прочитати та зрозуміти інструкцію з експлуатації, що додається, у тому числі інструкції, вказівки з техніки безпеки, попереджувальні вказівки, ілюстрації та технічні характеристики. Зокрема, ознайомтеся з усіма інструкціями, вказівками з техніки безпеки, попереджувальними вказівками, ілюстраціями, технічними характеристиками, а також інформацією щодо компонентів та функцій. Недотримання цієї вимоги може призвести до ризику ураження електричним струмом, виникнення пожежі та/або тяжких травм. Зберігайте інструкцію з експлуатації, зокрема всі інструкції, вказівки з техніки безпеки та попереджувальні вказівки, щоб можна було звернутися до них у майбутньому.
- **HILTI** Інструменти призначені для професійного використання, а тому їхню експлуатацію, технічне обслуговування та ремонт слід доручати лише авторизованому персоналу зі спеціальною підготовкою. Цей персонал повинен бути спеціально проінструктований про можливі ризики. Інструмент та допоміжне приладдя можуть стати джерелом небезпеки у разі їхнього неправильного застосування некваліфікованим персоналом або у разі використання не за призначенням.
- Інструкція з експлуатації, що додається до продукту, відповідає стану науки і техніки, актуальному на момент її друку. Більш актуальну версію інструкції з експлуатації можна знайти в інтернеті на сторінці з інформацією про продукти Hilti. Для цього перейдіть за посиланням або QR-кодом у цій інструкції з експлуатації, що позначені символом .
- У разі зміни власника передавайте продукт лише разом із цією інструкцією з експлуатації.

1.2 Пояснення символів

1.2.1 Попереджувальні вказівки

Попереджувальні вказівки інформують користувача про фактори небезпеки, пов'язані із застосуванням інструмента. Використовуються такі сигнальні слова:

НЕБЕЗПЕКА

НЕБЕЗПЕКА !

- Указує на безпосередню небезпеку, що може призвести до отримання тяжких тілесних ушкоджень або навіть до смерті.

ПОПЕРЕДЖЕННЯ

ПОПЕРЕДЖЕННЯ !

- Указує на потенційно небезпечну ситуацію, яка може призвести до отримання тяжких тілесних ушкоджень або навіть смерті.






ОБЕРЕЖНО

ОБЕРЕЖНО !

- Указує на потенційно небезпечну ситуацію, яка може призвести до отримання тілесних ушкоджень або до матеріальних збитків.

1.2.2 Символи в інструкції з експлуатації

У цій інструкції з експлуатації використовуються такі символи:

	Дотримуйтеся вказівок, наведених в інструкції з експлуатації
	Вказівки щодо експлуатації та інша корисна інформація
	Поводження з матеріалами, придатними для вторинної переробки
	Не викидайте електроінструменти і акумуляторні батареї у баки для побутового сміття
	Hilti Літій-іонна акумуляторна батарея





Hilti Зарядний пристрій

1.2.3 Символи на ілюстраціях

На ілюстраціях використовуються такі символи:

	Цифрами позначаються відповідні ілюстрації, наведені на початку цієї інструкції з експлуатації.
3	Нумерація відображає послідовність робочих кроків на ілюстраціях та може відрізнятися від нумерації у тексті.
	Номера позицій, наведені на оглядовій ілюстрації , відповідають номерам у легенді, що представлена у розділі « Огляд продукту ».
	Цей символ позначає аспекти, на які слід звернути особливу увагу під час застосування інструмента.

1.3 Символи, що обумовлені типом інструмента

1.3.1 Символи на інструменті

На інструменті можуть бути наведені такі символи:

	Використовуйте захисні окуляри
n_0	Номінальна частота обертання під час холостого ходу
/min	Кількість обертів на хвилину
RPM	Кількість обертів на хвилину
\varnothing	Діаметр
	Постійний струм
	Не використовуйте стандартний кожух для виконання робіт, які передбачають різання.
	Завжди виконуйте роботу обома руками.
	Інструмент підтримує технологію NFC та є сумісним із платформами iOS та Android.
Li-Ion	Літій-іонна акумуляторна батарея
	Ніколи не використовуйте акумуляторну батарею у якості ударного інструмента.
	Не допускайте падіння акумуляторної батареї. Не використовуйте акумуляторну батарею, яка зазнала ударного навантаження або була пошкоджена іншим чином.

1.4 Інформація про інструмент

Інструменти призначені для професійного використання, а тому їхню експлуатацію, технічне обслуговування та ремонт слід доручати лише авторизованому персоналу зі спеціальною підготовкою. Цей персонал повинен бути спеціально проінструктований про можливі ризики. Інструмент та допоміжне приладдя можуть стати джерелом небезпеки у разі їхнього неправильного застосування некваліфікованим персоналом або у разі використання не за призначенням.

Тип та серійний номер зазначені на заводській табличці.



2251374

Українська

179

- ▶ Перепишіть серійний номер у наведену нижче таблицю. При оформленні запитів до нашого представництва та до сервісної служби вказуйте інформацію про інструмент.

Інформація про інструмент

Акумуляторна кутова шліфувальна машина	AG 4S-22-125
Версія	02
Серійний номер	

1.5 Сертифікат відповідності

Виробник зі всією належною відповідальністю заявляє, що описаний у цьому документі інструмент відповідає чинному законодавству і стандартам. Копія сертифіката відповідності наведена у кінці цього документа.

Технічна документація зазначена нижче:

Hilti Entwicklungsgesellschaft mbH | Zulassung Geräte | Hiltistraße 6 | 86916 Kaufering, DE

2 Безпека**2.1 Загальні вказівки з техніки безпеки при роботі з електроінструментами**

⚠ ПОПЕРЕДЖЕННЯ! Уважно прочитайте усі вказівки та інструкції з техніки безпеки, ознайомтеся з малюнками та технічними даними цього електроінструмента. Щонайменше недотримання наведених нижче вказівок може призвести до ураження електричним струмом, займання та/або отримання тяжких травм.

Збережіть всі інструкції та вказівки з техніки безпеки – вони можуть знадобитися Вам у майбутньому.

Термін «електроінструмент», який використовується у вказівках з техніки безпеки, позначає як електроінструменти, що працюють від електричної мережі (із кабелем живлення), так і електроінструменти, що працюють від акумуляторної батареї (без кабелю живлення).

Безпека на робочому місці

- ▶ **Дбайте про чистоту та достатнє освітлення робочого місця.** Безлад на робочому місці та недостатнє освітлення можуть стати причиною нещасних випадків.
- ▶ **Не працюйте з електроінструментом у вибухонебезпечному середовищі, що містить легкозаймисті рідини, гази або пил.** Під час роботи електроінструментів утворюються іскри, від яких можуть зайнятися легкозаймисті випари або пил.
- ▶ **Подбайте про те, щоб під час використання електроінструмента поблизу не було дітей та сторонніх осіб.** Щонайменше відволікання може призвести до втрати контролю над інструментом.

Електрична безпека

- ▶ **Штепсельна вилка електроінструмента повинна підходити до розетки живлення. Забороняється вносити зміни до конструкції штепсельної вилки. Не дозволяється застосовувати перехідні штепсельні вилки в електроінструментах із захисним заземленням.** У разі використання оригінальних штепсельних вилок і відповідних розеток знижується ризик ураження електричним струмом.
- ▶ **Під час роботи намагайтеся не торкатися заземлених поверхонь, наприклад труб, радіаторів опалення, печей та холодильників.** Якщо Ваше тіло перебуває в контакті із системою заземлення, існує підвищений ризик ураження електричним струмом.
- ▶ **Захищайте електроінструменти від дощу та вологи.** У разі проникнення води в електроінструмент підвищується ризик ураження електричним струмом.
- ▶ **Використовуйте з'єднувальний кабель тільки за призначенням, не переносьте за нього електроінструмент, не користуйтеся ним для підвішування інструмента та не тримайтеся за нього, дістаючи штепсельну вилку з розетки. Оберегайте з'єднувальний кабель від впливу високих температур, від дії мастил та контакту з гострими кромками або рухомими частинами інструмента.** Пошкоджені або заплутані з'єднувальні кабелі підвищують ризик ураження електричним струмом.
- ▶ **Працюючи з електроінструментом під відкритим небом, використовуйте лише подовжувальний кабель, придатний для зовнішнього застосування.** Використання подовжувального кабелю, призначеного для зовнішнього застосування, зменшує ризик ураження електричним струмом.
- ▶ **Якщо неможливо уникнути експлуатації електроінструмента за умов підвищеної вологості, використовуйте автомат захисту від струму витоку.** Використання автомата захисту від струму витоку зменшує ризик ураження електричним струмом.



Безпека персоналу

- ▶ **Будьте уважними, зосередьтеся на виконуваній операції, до роботи з електроінструментом ставтеся серйозно. Не користуйтеся електроінструментом, якщо Ви втомлені або перебуваєте під дією наркотичних речовин, алкоголю або лікарських засобів.** Під час роботи з електроінструментом не відволікайтеся ні на мить, оскільки це може призвести до отримання серйозних травм.
- ▶ **Використовуйте засоби індивідуального захисту і завжди надягайте захисні окуляри.** Використання засобів індивідуального захисту, наприклад респіратор, захисного взуття на нековзній підшві, захисного шолома або шумозахисних навушників – залежно від різновиду електроінструмента та особливостей його застосування – зменшує ризик травмування.
- ▶ **Уникайте випадкового вмикання електроінструмента.** Переконайтеся в тому, що електроінструмент вимкнений, перш ніж вставляти штепсельну вилку в розетку живлення та/або приєднувати акумулятор, піднімати електроінструмент або переносити його. Якщо під час перенесення електроінструмента тримати палець на вимикачі або приєднувати інструмент до джерела живлення увімкненим, це може призвести до нещасного випадку.
- ▶ **Перш ніж вмикати електроінструмент, від'єднайте від нього все налагоджувальне приладдя або гайкові ключі.** Приладдя або ключ, що знаходяться в обертовому вузлі інструмента, можуть стати причиною отримання травм.
- ▶ **Уникайте виконання роботи в незручній позі.** Під час виконання робіт ставайте в стійку позу і намагайтеся повсякчас утримувати рівновагу. Це дозволить Вам більш упевнено контролювати електроінструмент у разі виникнення несподіваних обставин.
- ▶ **Надягайте відповідний робочий одяг. Не надягайте для роботи занадто просторий одяг та прикраси.** Слідуйте за тим, щоб волосся, одяг та робочі рукавиці знаходилися подальше від обертових частин інструмента. Просторий одяг, прикраси або довге волосся можуть бути захоплені рухомими частинами інструмента.
- ▶ **Якщо передбачена можливість установа системи пиловидалення та пилозбірників, обов'язково переконайтеся в тому, що вони правильно приєднані й використовуються належним чином.** Застосування системи видалення пилу дозволяє зменшити негативний вплив пилу на персонал.
- ▶ **Не можна нехтувати правилами безпеки під час роботи з електроінструментами навіть у тому випадку, коли Ви добре знайомі з тим чи іншим електроінструментом.** Якщо користуватися інструментом необережно, лише малої частки секунди може бути достатньо для отримання тяжких травм.

Використання електроінструмента та належний догляд за ним

- ▶ **Не допускайте перенавантаження інструмента.** Завжди використовуйте електроінструмент, призначений для виконання відповідної роботи. При використанні належного електроінструмента забезпечуються більш висока якість та безпека виконання робіт у вказаному діапазоні продуктивності.
- ▶ **Не використовуйте електроінструмент із пошкодженим вимикачем.** Електроінструмент, який неможливо вмикати або вимикати, є небезпечним і підлягає ремонту.
- ▶ **Перш ніж розпочинати налаштування інструмента, виконувати заміну приладдя або робити перерву в роботі, не забудьте виїняти штепсельну вилку з розетки та/або виїняти з інструмента змінну акумуляторну батарею.** Такий запобіжний захід допоможе уникнути випадкового вмикання електроінструмента.
- ▶ **Електроінструменти, що не використовуються, зберігайте в недоступному для дітей місці.** Не дозволяйте користуватися інструментом особам, які не ознайомлені з ним або не прочитали ці вказівки. У руках недосвідчених людей електроінструменти являють собою серйозну небезпеку.
- ▶ **Електроінструменти та їх приладдя потребують дбайливого догляду.** Ретельно перевіряйте, чи бездоганно працюють та чи не заклинюють рухомі частини, чи не зламалися або не зазнали інших пошкоджень деталі, від яких залежить справна робота електроінструмента. Перед початком роботи з інструментом пошкоджені деталі слід відремонтувати. Багатьох нещасних випадків можна уникнути за умови належного технічного обслуговування електроінструментів.
- ▶ **Слідуйте за тим, щоб ріжучі інструменти завжди залишалися чистими та належним чином заточеними.** Дбайливо доглянутий ріжучий інструмент із гострими різальними кромками не так часто заклинюється, і з ним легше працювати.
- ▶ **Під час експлуатації електроінструмента, приладдя до нього, робочих інструментів тощо тримайтеся наведених у цьому документі вказівок.** При цьому завжди враховуйте умови в місці виконання робіт та дії, яких вимагає поставлене завдання. Використання електроінструментів не за призначенням може призвести до виникнення небезпечних ситуацій.



- ▶ Слідкуйте за тим, щоб поверхні рукояток були чистими та сухими, та не допускайте їхнього забруднення мастилом. Якщо поверхні рукояток слизькі, це унеможливило впевнене контролювання електроінструмента у непередбачених ситуаціях.

Використання акумуляторного інструмента та належний догляд за ним

- ▶ Для заряджання акумуляторних батарей застосовуйте лише зарядні пристрої, рекомендовані виробником. Зарядний пристрій, придатний для заряджання акумуляторних батарей певного типу, може спричинити пожежу, якщо його застосовувати для заряджання акумуляторних батарей інших типів.
- ▶ Для живлення електроінструментів застосовуйте лише спеціально призначені для цього акумуляторні батареї. Застосування інших акумуляторних батарей може призвести до отримання травм і виникнення пожежі.
- ▶ Акумуляторну батарею, яка не використовується, тримайте подалі від канцелярських скріпок, монет, ключів, цвяхів, гвинтів та інших дрібних металевих предметів, які могли б спричинити коротке замикання її контактів. Коротке замикання контактів акумуляторної батареї може призвести до отримання опіків або до виникнення пожежі.
- ▶ У разі неправильного застосування з акумуляторної батареї може пролитися рідина. Уникайте контакту з нею. У разі випадкового контакту цієї рідини зі шкірою негайно промийте уражене місце достатньою кількістю води. Якщо рідина потрапила в очі, рекомендується додатково звернутися по лікарську допомогу. Пролита з акумуляторної батареї рідина може призвести до подразнення шкіри або отримання опіків.
- ▶ Не використовуйте акумуляторну батарею, якщо вона пошкоджена або якщо її конструкція була змінена. Пошкоджені або модифіковані акумуляторні батареї вкрай ненадійні та становлять небезпеку пожежі, вибуху або травмування.
- ▶ Не піддавайте акумуляторну батарею впливу вогню або високих температур. Вогонь або температури понад 130 °C (265 °F) можуть спричинити вибух.
- ▶ Дотримуйтеся вказівок щодо заряджання. Ніколи не заряджайте акумуляторну батарею або акумуляторний інструмент в умовах, що виходять за межі температурного діапазону, зазначеного в інструкції з експлуатації. Неналежне заряджання або заряджання за межами зазначеного температурного діапазону може призвести до руйнування акумуляторної батареї та підвищує ризик займання.

Сервісне обслуговування

- ▶ Доручайте ремонт електроінструмента лише кваліфікованому персоналу зі спеціальною підготовкою за умови використання тільки оригінальних запасних частин. Це забезпечить функціональність інструмента.
- ▶ Забороняється здійснювати технічне обслуговування пошкоджених акумуляторних батарей. У будь-яких випадках технічне обслуговування акумуляторних батарей повинен здійснювати виробник або уповноважена служба технічного обслуговування.

2.2 Вказівки з техніки безпеки для виконання усіх типів робіт

Загальні вказівки з техніки безпеки під час шліфування, шліфувальна з використанням наждачного паперу, роботи з дротовими щітками, полірування та абразивного відрізання:

- ▶ Цей електроінструмент призначений для використання в якості шліфувальної машини, наждачної шліфувальної машини, шліфувальної машини з дротовою щіткою, полірувальної машини, машини для вирізання отворів та шліфувально-відрізної машини. Дотримуйтеся всіх вказівок з техніки безпеки, інструкцій, схем і даних, отриманих Вами разом з інструментом. Невиконання наступних інструкцій може призвести до ураження електричним струмом, пожежі та/або серйозних травм.
- ▶ Забороняється вносити зміни до конструкції цього електроінструмента, щоб надати йому функції, на які він не розрахований та які не були передбачені виробником. Така модифікація конструкції може призвести до втрати контролю та до тяжких травм.
- ▶ Не використовуйте приладдя, яке не було спеціально розроблено виробником для цього електроінструмента або не було допущено до використання з ним. Навіть якщо Ви можете закріпити приладдя на електроінструменті, це не гарантує його безпечної експлуатації.
- ▶ Гранично припустима частота обертання змінного робочого інструмента не повинна бути меншою за максимальну частоту обертання, зазначену на електроінструменті. Приладдя, що обертається з частотою більше припустимої, може зруйнуватися або відлетіти.
- ▶ Зовнішній діаметр і товщина змінного робочого інструмента повинні відповідати розмірам електроінструмента. Ви не зможете належним чином контролювати змінні робочі інструменти, розміри яких не відповідають вимогам; крім того, захисний кожух не закриватиме їх повністю.



- ▶ **Змінні робочі інструменти з різьбовою вставкою слід установлювати точно на різьбу шліфувального шпинделя.** Якщо Ви використовуєте змінні робочі інструменти, які встановлюються за допомогою фланця, переконайтеся, що діаметр отвору змінного робочого інструмента відповідає діаметру кріплення на фланці. Якщо змінні робочі інструменти встановлені на електричний інструмент неналежним чином, вони обертаються нерівномірно та сильно вібрують, що може призвести до втрати контролю.
- ▶ **Не використовуйте пошкоджені змінні робочі інструменти.** Перед кожним використанням перевіряйте шліфувальні круги на наявність відколів і тріщин, шліфувальні тарілочки на наявність тріщин, зношування або сильного стирання, а дротові щітки на наявність зламів або розривів. У разі падіння електроінструмента або робочого інструмента перевірте їх на наявність пошкоджень або замініть робочий інструмент. При першому використанні обертового змінного робочого інструмента оператор і особи, що стоять поруч, повинні перебувати на безпечній відстані від нього. Потрібно дати інструменту попрацювати протягом хвилини за максимальної частоти обертання. Несправні робочі інструменти виходять з ладу найчастіше під час цього контрольного проміжку часу.
- ▶ **Застосовуйте індивідуальні засоби захисту.** Залежно від умов роботи використовуйте захисну маску або захисні окуляри. За необхідності використовуйте пилзахисну маску, захисні навушники, захисні рукавиці або спеціальний фартух, щоб захистити себе від дрібних часток оброблюваного матеріалу. Необхідно захищати очі від потрапляння частинок, що утворюються під час роботи. Пил, що утворюється під час роботи, повинен затримуватися пилзахисним фільтром респіратору. Тривалий вплив сильного шуму може призвести до втрати слуху.
- ▶ **Прослідкуйте за тим, щоб інші особи у місці виконання робіт перебували на безпечній відстані від Вас.** Кожна особа, яка заходить у межі робочої зони, повинна використовувати засоби індивідуального захисту. Уламки оброблюваної деталі або частини пошкодженого робочого інструмента можуть розлітатися та ставати причиною травмування навіть за межами середньої робочої зони.
- ▶ **Якщо під час виконання робіт існує ймовірність того, що змінний робочий інструмент може натрапити на приховану електропроводку, тримайте електроінструмент тільки за ізольовані поверхні рукоятки.** У разі контакту з електричним дротом, який знаходиться під напругою, металеві деталі інструмента також потраплять під напругу, а це може призвести до ураження електричним струмом.
- ▶ **Не відкладайте електроінструмент до повної зупинки робочого інструмента.** Обертовий робочий інструмент може натрапити на опорну поверхню, внаслідок чого Ви можете втратити контроль над електроінструментом.
- ▶ **Не допускайте увімкнення електроінструмента під час його перенесення.** Обертовий робочий інструмент може випадково захопити край Вашого одягу та травмувати Вас.
- ▶ **Регулярно очищайте вентиляційні прорізи електроінструмента.** Оскільки двигун засмоктує пил усередину корпусу, підвищена концентрація металевого пилю може створити небезпеку ураження електричним струмом.
- ▶ **Не використовуйте електроінструмент поблизу легкозаймистих матеріалів.** Іскри можуть запалити ці матеріали.
- ▶ **Не використовуйте робочі інструменти, для експлуатації яких потрібне застосування рідких охолоджувальних засобів.** Використання води або інших рідких охолоджувальних засобів може призвести до ураження електричним струмом.

Віддача і відповідні зазвіски з техніки безпеки

Віддача являє собою раптову реакцію, що виникає при зачепленні або блокуванні робочого інструмента, що обертається (шліфувального круга, шліфувальної тарілочки, дротової щітки тощо). Зачеплення або блокування призводять до раптової зупинки робочого інструмента, що обертається. Це спричиняє неконтрольований рух електроінструмента у напрямку, протилежному напрямку обертання робочого інструмента в місці блокування.

При зачепленні або блокуванні шліфувального круга в оброблюваній деталі кромка шліфувального круга, що занурюється в деталь, може застрягти, що може призвести до руйнування круга або спричинити віддачу. При цьому шліфувальний круг рухається або в напрямку оператора, або від нього (залежно від напрямку обертання круга в місці блокування). Це може також спричинити руйнування шліфувального круга.

Віддача є наслідком неправильного або помилкового використання електроінструмента. За умови дотримання відповідних заходів безпеки, що наведені нижче, цього явища можна уникнути.

- ▶ **Надійно тримайте електроінструмент обома руками, прийнявши таке положення тіла і рук, при якому Ви зможете амортизувати віддачу інструмента.** Завжди використовуйте додаткову рукоятку (за її наявності), щоб максимально контролювати віддачу або реактивний момент,



що виникає під час набирання швидкості електродвигуна. Якщо вжити відповідних запобіжних заходів, оператор може контролювати віддачу і реактивний момент.

- ▶ **Не наближайте руки до обертових робочих інструментів.** У разі виникнення віддачі робочий інструмент може зачепити Ваші руки.
- ▶ **Уникайте потрапляння в зону, в яку зміщується електроінструмент під час віддачі.** Віддача зміщує електроінструмент від місця блокування в напрямку, протилежному напрямку обертання робочого інструмента.
- ▶ **Будьте вкрай уважними під час обробки кутів, гострих кромок тощо. Не допускайте відсакування змінних робочих інструментів або їхнього заїдання в оброблюваних деталях.** Змінний робочий інструмент, що обертається, може заїдати під час обробки кутів, гострих кромок або у випадку його відсакування. Це стає причиною втрати контролю над інструментом або виникнення віддачі.
- ▶ **Не використовуйте полотна з ланцюговим або зубчастим зачепленням, а також сегментовані алмазні круги, у яких ширина проміжків перевищує 10 мм.** Використання таких змінних робочих інструментів найчастіше викликає віддачу або призводить до втрати контролю над інструментом.

Особливі вказівки з техніки безпеки при використанні шліфувальних та відрізнних кругів:

- ▶ **Використовуйте тільки допущені до експлуатації абразивні змінні робочі інструменти та захисні кожухи, що відповідають їм.** Абразивні змінні робочі інструменти, які не призначені для цього електроінструмента, працюють нестабільно; крім того, захисний кожух не закриває їх повністю.
- ▶ **Шліфувальні круги зі зміщеним центром слід установлювати таким чином, щоб їхня шліфувальна поверхня не виступала за край захисного кожуха.** Неналежним чином установлений шліфувальний круг, що виступає за край захисного кожуха, не може бути достатньо захищеним.
- ▶ **Захисний кожух повинен бути надійно закріплений на електроінструменті та відрізнюваний таким чином, щоб підтримувати максимальну безпеку.** Відкритою повинна залишатися якомога менша частина абразивного змінного робочого інструмента. Захисний кожух призначений для захисту оператора від осколків, випадкового зіткнення з абразивним змінним робочим інструментом та від іскор, які можуть запалити одягу.
- ▶ **Абразивні змінні робочі інструменти повинні використовуватися лише за призначенням.** Зокрема: забороняється виконувати шліфування боковою поверхнею відрізного круга. Відрізнні круги призначені для зняття матеріалу кромкою круга. Вплив бокової сили на ці абразивні змінні робочі інструменти може стати причиною їхнього руйнування.
- ▶ **Для встановлення вибраного Вами шліфувального круга завжди використовуйте непошкоджений затискний фланець потрібного розміру та форми.** Фланці відповідної форми та розміру фіксують шліфувальний круг і зменшують ризик його руйнування. Затискні фланці відрізнних кругів можуть відрізнитися від затискних фланців інших шліфувальних кругів.
- ▶ **Не використовуйте зношені шліфувальні круги від електроінструментів більшого розміру.** Шліфувальні круги, виготовлені для електроінструментів більшого розміру, не розраховані на високу частоту обертання малогабаритних електроінструментів і тому можуть зруйнуватися.
- ▶ **Якщо Ви застосовуєте абразивні змінні робочі інструменти, придатні для різних способів використання, завжди встановлюйте захисний кожух, який відповідає типу виконуваної роботи.** Застосування неналежного захисного кожуха не гарантує достатнього захисту та може призвести до тяжких травм.

Додаткові особливі вказівки з техніки безпеки під час відрізного шліфування:

- ▶ **Уникайте блокування або занадто сильного притискування відрізного круга.** Не виконуйте занадто глибоких розрізів. Перенавантаження відрізного круга збільшує його зношування та схильність до перекосу або блокування, а разом з тим і можливість віддачі або руйнування круга.
- ▶ **Намагайтеся не знаходитися в зоні перед обертючим відрізнним кругом і за ним.** Якщо віддача виникне під час зміщення відрізного круга в оброблюваній деталі в поступальному напрямку, то електроінструмент може відскочити прямо на Вас.
- ▶ **У випадку заклинювання відрізного круга або переривання роботи вимкніть інструмент і дочекайтеся повної зупинки круга. Ніколи не намагайтеся витягнути із розпилу відрізнний круг, що продовжує обертатися, інакше можлива віддача.** З'ясуйте і усуньте причину защемлення.
- ▶ **Не вмикайте інструмент знову, якщо він все ще перебуває в оброблюваній деталі.** Перед продовженням роботи дочекайтеся, поки інструмент не досягне робочої частоти обертання. Інакше можливе заїдання круга, його висакування з оброблюваної деталі або поява віддачі.
- ▶ **Підпирайте плити або деталі великого розміру, щоб знизити ризик віддачі у випадку заїдання відрізного круга.** Великі оброблювані деталі можуть прогинатися під дією власної ваги. Оброблювану деталь потрібно підпирати з обох боків круга як поблизу від місця виконання різання, так і вздовж кромки деталі.



- ▶ **Будьте особливо уважні, коли виконуєте «заглибне різання» в стіні або інших місцях з недостатнім обзором.** Занурення відрізного круга в робочу поверхню під час різання газопроводів, водопроводів, електричних дротів або інших предметів може спричинити віддачу.
- ▶ **Не намагайтеся виконувати закруглені розрізи.** Перенавантаження відрізного круга збільшує його зношування та схильність до перекосу або блокування, а разом з тим – і ризик віддачі або руйнування круга, що може призвести до тяжких травм.

Особливі вказівки з техніки безпеки при шліфуванні з використанням наждачного паперу:

- ▶ **Використовуйте тільки шліфувальні полотна належного розміру. Дотримуйтеся рекомендацій виробника щодо вибору розміру шліфувального полотна.** Використання шліфувального полотна, що виступає занадто далеко за шліфувальну тарілку, може призвести до травмування, а також до блокування, розриву шліфувального полотна або спричинити віддачу.

Особливі вказівки з техніки безпеки при поліруванні:

- ▶ **Подбайте про те, щоб усі деталі кожуха полірувальної частини були належним чином закріплені; особливо це стосується кріпильних шнурів. Приберіть або вкоротіть кріпильні шнури.** Незакріплені шнури, що обертаються, можуть натрапити на пальці або заплутатися в оброблюваній деталі.

Особливі вказівки з техніки безпеки при роботі з дротовими щітками:

- ▶ **Пам'ятайте, що дротові щітки втрачають шматочки дроту навіть при звичайному використанні. Не притискайте їх занадто сильно.** Шматочки дроту, що відлітають, можуть легко проходити через тонку тканину одягу та/або проникати в шкіру.
- ▶ **Якщо використання захисного кожуха є обов'язковим, не допускайте його контакту з дротовою щіткою.** Тарілчасті та чашкові щітки під дією притискання та відцентрових сил можуть збільшувати свій діаметр.

2.3 Додаткові вказівки з техніки безпеки

Безпека персоналу

- ▶ Користуйтеся лише повністю справним інструментом та приладдям.
- ▶ Вносити будь-які зміни до конструкції інструмента або приладдя заборонено.
- ▶ Завжди міцно тримайте інструмент обома руками за передбачені для цього рукоятки. Слідкуйте за тим, щоб рукоятки були чистими та сухими, та не допускайте їхнього забруднення мастилом.
- ▶ Якщо Ви експлуатуєте інструмент без системи видалення пилу, то під час виконання робіт в умовах підвищеного пилоутворення необхідно користуватися легким респіратором.
- ▶ Часто робіть перерви у роботі та виконуйте вправи на розминання пальців, щоб покращити кровообіг у них. Під час довготривалих робіт високочастотна вібрація може пошкодити судини або нерви у пальцях, руках або зап'ясткових суглобах.
- ▶ Уникайте контакту з деталями інструмента, що обертаються. Умикати інструмент дозволяється лише в межах робочої зони. Контакт із деталями, що обертаються, зокрема з обертовими робочими інструментами, може призвести до отримання тяжких травм.
- ▶ Зачекайте, доки інструмент повністю не зупиниться, перш ніж виймати його з оброблюваної заготовки.
- ▶ Використання інструмента вимагає певної фізичної сили. Крім того, інструмент не призначений для використання особами, які не пройшли належний інструктаж. Зберігайте інструмент у недоступному для дітей місці.
- ▶ Пил, який утворюється під час шліфування, обробки наждачним папером, різання та свердління певних матеріалів, може містити небезпечні хімічні речовини. Деякі приклади таких матеріалів: свинець або фарби на основі свинцю; цегла, бетон та інші матеріали, що використовуються для споруджування стін, зокрема природний камінь та інші речовини, які містять силікати; певні види деревини, зокрема дуб або бук, а також деревина, яка пройшла хімічну обробку; азбест або матеріали, що містять азбест. Визначайте рівень впливу пилу на оператора та осіб, які знаходяться поблизу, приймаючи до уваги клас небезпеки оброблюваних матеріалів. Вживайте потрібних заходів, щоб утримувати вплив пилу на мінімально можливому рівні, зокрема використовуйте систему видалення пилу або відповідний респіратор. До загальних заходів, спрямованих на зменшення впливу пилу, належать такі:
 - ▶ виконання робіт на добре провітрюваній ділянці;
 - ▶ уникнення тривалого контакту з пилом;
 - ▶ недопущення контакту пилу з обличчям та тілом;
 - ▶ використання захисного одягу, а також миття засмічених ділянок водою з милом.
- ▶ Оператор та особи, які знаходяться поблизу, повинні під час застосування інструмента використовувати захисні окуляри, захисну каску та захисні навушники.



- ▶ Під час заміни робочого інструмента користуйтеся захисними рукавицями. Контакт зі змінним робочим інструментом може призвести до отримання порізів або опіків.
- ▶ Небезпека травмування в результаті падіння інструментів та/або приладдя. Перш ніж розпочинати роботу, перевірте, чи надійно закріплене приладдя й акумуляторна батарея.
- ▶ Не допускайте засмічення вентиляційних прорізів. Перекривання вентиляційних прорізів створює небезпеку отримання опіків!
- ▶ Вмикайте інструмент лише після того, як Ви встановили його у робоче положення.
- ▶ Зачекайте, доки інструмент повністю не зупиниться, перш ніж виймати його з оброблюваної заготовки.
- ▶ Якщо інструмент зареєструє перевищення експлуатаційних обмежень або розрядження акумуляторної батареї, може виникнути ситуація, коли гальмування змінного робочого інструмента не буде здійснюватися за допомогою двигуна.
- ▶ Не закріплюйте поясний гачок на цьому інструменті.

Належне використання електроінструментів та дбайливий догляд за ними

- ▶ Дотримуйтеся передбачених виробником умов використання та зберігання шліфувальних кругів.
- ▶ Користуватися інструментом без захисного кожуха забороняється.
- ▶ Надійно зафіксуйте оброблюваний об'єкт. Для надійного утримання оброблюваного об'єкта використовуйте затискний пристрій або лежача. Це забезпечить кращу фіксацію оброблюваного об'єкта у порівнянні з утримуванням його рукою; крім того, це вивільнить обидві руки для роботи з інструментом.
- ▶ Для грубого шліфування ніколи не використовуйте відрізи шліфувальні круги.
- ▶ Надійно затягуйте змінний робочий інструмент та фланець. Якщо змінний робочий інструмент та фланець затягнуті недостатньо надійно, то після вимкнення існує небезпека, що змінний робочий інструмент зіскочить зі шпинделя під час гальмування двигуном.

Електрична безпека

- ▶ Перед початком роботи перевіряйте робоче місце на наявність прихованих електричних кабелів, газових та водопровідних труб. Якщо під час роботи будуть випадково пошкоджені електричні кабелі, газовий або водяний трубопровід, то їхній контакт із відкритими металевими деталями інструмента може спричинити ураження електричним струмом або вибух.
- ▶ У разі частішої обробки електропровідних матеріалів регулярно здавайте забруднені інструменти на перевірку до сервісної служби компанії **Hilti**. Якщо на поверхні інструмента накопичується волога та пил, особливо від струмопровідних матеріалів, це може за несприятливих умов призвести до ураження електричним струмом.

Безпека на робочому місці

- ▶ Під час наскрізного свердління укріпіть відповідну ділянку поверхні з протилежного боку деталі. Осколки можуть розлітатися у різні боки та/або вниз і травмувати інших людей.
- ▶ Різання пазів у несучих стінах та інших структурах може негативно позначитися на їх міцності, особливо це стосується різання арматури або опорних конструкцій. Перед початком роботи проконсультуйтеся з архітектором, спеціалістом зі статичних характеристик конструкції або представником уповноваженого будівельного управління.

Додаткові зауваження щодо використання захисних кожухів

Щоб уникнути описаних нижче ризиків, будь ласка, завжди використовуйте належний захисний кожух. Докладна інформація наведена у розділі «Добір кругів до приладдя, що використовується».

- ▶ Якщо на виріб установлений стандартний захисний кожух із передньою накладкою для торцевого шліфування, існує ймовірність того, що він торкнеться оброблюваного об'єкта і це призведе до втрати контролю над виробом.
- ▶ Під час використання дротової щітки, товщина якої перевищує максимально допустиме значення, дрони щітки можуть застрягати у захисному кожусі та внаслідок цього ламатися.
- ▶ Якщо під час відрізного шліфування металу за допомогою абразивного відрізного круга на виріб установлено стандартний захисний кожух, виникає підвищений ризик контакту з іскрами та частками, що розлітаються, а також з осколками круга – у разі його руйнування.
- ▶ Якщо під час шліфування або відрізного шліфування бетону або цегляної кладки на виріб установлено стандартний захисний кожух з передньою накладкою або без передньої накладки, підвищується пилове навантаження та зростає ризик втрати контролю над виробом, що у свою чергу може призвести до виникнення віддачі.

2.4 Застосування акумуляторних батарей та дбайливий догляд за ними

- ▶ Дотримуйтеся наведених нижче вказівок з техніки безпеки, щоб гарантувати безпечне транспортування та використання літій-іонних акумуляторних батарей. Невиконання цих вказівок



може призвести до подразнення шкіри, серйозних травм внаслідок контакту з корозійними речовинами, а також до хімічних опіків, пожежі та/або вибуху.

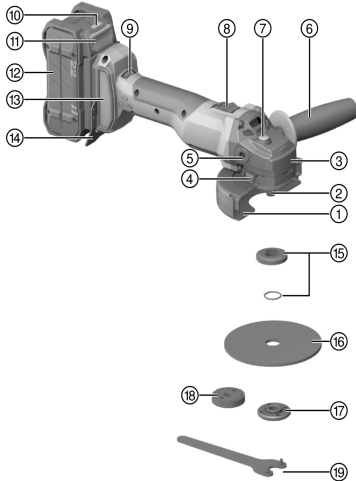
- ▶ Користуйтеся лише повністю справними акумуляторними батареями.
- ▶ Обережно поводьтеся з акумуляторними батареями, щоб уникнути їхнього пошкодження або витоків рідин, які є дуже небезпечними для здоров'я!
- ▶ Забороняється вносити зміни до конструкції акумуляторних батарей або модифікувати їх!
- ▶ Акумуляторні батареї забороняється розбирати, роздавлювати, нагрівати до температури понад 80 °C (176 °F) або спалювати.
- ▶ Не використовуйте та не заряджайте акумуляторні батареї, які зазнали впливу ударного навантаження або були пошкоджені іншим чином. Регулярно перевіряйте акумуляторні батареї на наявність пошкоджень.
- ▶ Ніколи не використовуйте акумуляторні батареї із вторинних матеріалів або відремонтовані акумуляторні батареї.
- ▶ Не застосовуйте акумуляторну батарею або акумуляторний електроінструмент у якості ударного інструмента.
- ▶ Не піддавайте акумуляторні батареї впливу прямих сонячних променів, високих температур, іскор або відкритого вогню. Невиконання цієї вимоги може призвести до вибуху.
- ▶ Не торкайтеся полюсів елементів живлення пальцями, робочими інструментами, прикрасами, а також іншими предметами зі струмопровідних матеріалів. Невиконання цієї вимоги може привести до пошкодження акумуляторної батареї, матеріальних збитків і травм.
- ▶ Захищайте акумуляторні батареї від впливу дощу, вологи та рідин. Якщо всередину акумуляторної батареї потрапить волога, це може спричинити коротке замикання, ураження електричним струмом, опіки, пожежу або вибух.
- ▶ Використовуйте акумуляторну батарею тільки з тими електроінструментами та зарядними пристроями, для яких вона призначена. При цьому також дотримуйтеся вказівок, наведених в інструкціях з експлуатації відповідних виробів.
- ▶ Не використовуйте та не зберігайте акумуляторні батареї у вибухонебезпечному середовищі.
- ▶ Якщо акумуляторна батарея гаряча на дотик, вона може бути пошкоджена. Залиште акумуляторну батарею у захищеному від вогню місці на достатній відстані від горючих матеріалів, де за нею можна спостерігати. Зачекайте, доки акумуляторна батарея не охолоне. Якщо через годину акумуляторна батарея все ще залишається гарячою на дотик, це свідчить про її несправність. Зверніться до сервісної служби компанії **Hilti** або ознайомтеся з вказівками щодо техніки безпеки та належної експлуатації літій-іонних акумуляторних батарей **Hilti**.



Дотримуйтеся спеціальних вказівок щодо транспортування, зберігання та використання літій-іонних акумуляторних батарей. → стор. 199

Ознайомтеся з вказівками щодо техніки безпеки та належної експлуатації літій-іонних акумуляторних батарей **Hilti**: для цього відскануйте QR-код, наведений наприкінці цієї інструкції з експлуатації.



3.1 **Огляд продукту**


- ① Стандартний захисний кожух
- ② Шпindelь
- ③ Стрілка, що позначає напрям обертання
- ④ Кнопка розблокування кожуха
- ⑤ Нарізна втулка для рукоятки
- ⑥ Бокова рукоятка
- ⑦ Кнопка блокування шпинделя
- ⑧ Вимикач
- ⑨ Регулювання швидкості
- ⑩ Індикатор статусу акумуляторної батареї
- ⑪ Деблокувальна кнопка акумуляторної батареї
- ⑫ Акумуляторна батарея
- ⑬ Фільтр для уловлювання пилу
- ⑭ Іскрозахисний кожух
- ⑮ Затискний фланець з ущільнювальним кільцем
- ⑯ Відрізний шліфувальний круг/круг для грубого шліфування
- ⑰ Затискна гайка
- ⑱ Швидкозатискна гайка **Kwik-Lock** (опція)
- ⑲ Затискний ключ

3.2 **Використання за призначенням**

Описаний у цьому документі інструмент являє собою ручну акумуляторну кутову шліфувальну машину. Вона призначена для відрізного і грубого шліфування металевих і мінеральних матеріалів, для обробки їх поверхні щіткою і для їх шліфування наждачним папером без застосування води. Інструмент дозволяється застосовувати лише для сухого шліфування і різання.

- Використовуйте із цим інструментом лише літій-іонні акумуляторні батареї **Hilti** Nuron типу B 22. Щоб забезпечити оптимальну потужність інструмента, компанія **Hilti** рекомендує використовувати з ним акумуляторні батареї, зазначені у таблиці наприкінці цієї інструкції з експлуатації.
- Для заряджання цих акумуляторних батарей використовуйте зарядні пристрої **Hilti** лише тих типів, які зазначені у таблиці наприкінці цієї інструкції з експлуатації.

3.3 **Комплект постачання**

Кутова шліфувальна машина, бокова рукоятка, стандартний захисний кожух, передня накладка, затискний фланець, затискна гайка, затискний ключ, фільтр для уловлювання пилу, інструкція з експлуатації. Інше приладдя, допущене до експлуатації з Вашим інструментом, Ви можете придбати у **Hilti Store** або на веб-сайті www.hilti.group

3.4 **Система АТС**

Інструмент оснащений електронною системою аварійного вимкнення АТС (Active Torque Control). Якщо станеться блокування або заклинювання робочого інструмента, інструмент може раптово та неконтрольовано зсунутися у напрямку, протилежному напрямку обертання робочого інструмента. Система АТС розпізнає цей раптовий обертальний рух та одразу вимикає інструмент.

Задля забезпечення належного функціонування не можна створювати перешкод для обертального руху інструмента.

У разі спрацювання системи аварійного вимкнення вимкніть інструмент, а потім увімкніть його знову.



3.5 Функція захисту двигуна

Функція захисту двигуна контролює споживання електроенергії та нагрівання двигуна, а також захищає інструмент від перегріву.

У разі перенавантаження двигуна через занадто сильне притискання інструмента потужність інструмента помітно знижується та він може зупинитися.



Якщо через перенавантаження інструмент зупиняється або знижує швидкість обертання, слід зменшити навантаження на інструмент і дати йому попрацювати приблизно 30 секунд на холостому ходу.

3.6 Інтегроване гальмо

Інтегроване гальмо скорочує час, протягом якого змінний робочий інструмент продовжує обертатися після вимкнення двигуна.



Ця функція є доступною лише в тому випадку, якщо інструмент підключений до джерела живлення. Залежно від вибраного змінного робочого інструмента час гальмування може відрізнятись.

3.7 Передня накладка 2

Використовуйте передню накладку зі стандартним захисним кожухом для виконання таких видів роботи:

- Грубе шліфування за допомогою прямих кругів для грубого шліфування
- Відрізне шліфування за допомогою відрізних шліфувальних кругів

3.8 Пилозахисний кожух компактного виконання (різання) DC-EX 125/5" С (приладдя) 3

Для відрізного шліфування мінеральних матеріалів за допомогою алмазних відрізних шліфувальних кругів слід використовувати кожух компактного виконання DC-EX 125/5" С.

Обробляти метал з використанням цього кожуха забороняється.

3.9 Пилозахисний кожух (для різання) DC-EX 125/5"М (приладдя) 4

Роботи з відрізного шліфування і штробління на мінеральних основах за допомогою алмазних відрізних шліфувальних кругів потрібно проводити лише з пилозахисним кожухом.

ОБЕРЕЖНО! Обробляти метал з використанням цього кожуха забороняється.

3.10 Пилозахисний кожух (шліфування) DG-EX 125/5" (приладдя) 5

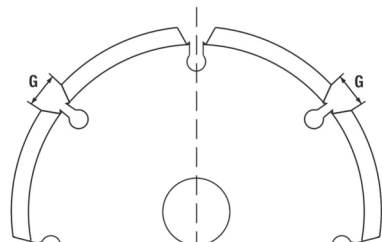
Шліфувальна система не призначена для постійного шліфування мінеральних основ за допомогою алмазних чашкових кругів.

Обробляти метал з використанням цього кожуха забороняється.

3.11 Геометричні параметри алмазних дисків для штробління, які дозволяється застосовувати з інструментом

Алмазні диски для штробління повинні відповідати описаним геометричним параметрам.

Технічні дані	
Ширина проміжків між сегментами (G)	≤ 10 мм
Кут різання	негативний



3.12 Варіанти індикації літій-іонної акумуляторної батареї

Літій-іонні акумуляторні батареї Hilti Nuron оснащені індикаторами, які можуть відображати стан заряду, повідомлення про несправності, а також позначати стан акумуляторної батареї.



3.12.1 Індикація стану заряду та повідомлень про несправність



ПОПЕРЕДЖЕННЯ

Ризик отримання травм через падіння акумуляторної батареї!

- Якщо Ви натиснули на деблокувальну кнопку, коли акумуляторна батарея встановлена в інструмент, будь ласка, переконайтеся, що вона належним чином зафіксована.

Щоб відобразити одну з наведених нижче індикацій, короткочасно натисніть деблокувальну кнопку акумуляторної батареї.

Після приєднання інструмента індикатор постійно показуватиме стан заряду акумуляторної батареї, а також можливі несправності.

Стан	Значення
Чотири (4) світлодіоди постійно горять зеленим кольором	Стан заряду: від 100 % до 71 %
Три (3) світлодіоди постійно горять зеленим кольором	Стан заряду: від 70 % до 51 %
Два (2) світлодіоди постійно горять зеленим кольором	Стан заряду: від 50 % до 26 %
Один (1) світлодіод постійно горить зеленим кольором	Стан заряду: від 25 % до 10 %
Один (1) світлодіод повільно мигає зеленим кольором	Стан заряду: < 10 %
Один (1) світлодіод швидко мигає зеленим кольором	Літій-іонна акумуляторна батарея повністю розряджена. Зарядіть акумуляторну батарею. Якщо після заряджання акумуляторної батареї світлодіод продовжує швидко мигати, будь ласка, зверніться до сервісної служби компанії Hilti .
Один (1) світлодіод швидко мигає жовтим кольором	Літій-іонна акумуляторна батарея або приєднаний до неї інструмент перенавантажені, занадто гарячі або занадто холодні або виникла інша помилка. Зачекайте, доки інструмент і акумуляторна батарея не нагріються або не охолонуть до належної робочої температури, та надалі уникайте перенавантаження інструмента під час використання. Якщо індикація не зникає, будь ласка, зверніться до сервісної служби компанії Hilti .
Один (1) світлодіод горить жовтим кольором	Літій-іонна акумуляторна батарея та відповідний інструмент несумісні. Будь ласка, зверніться до сервісної служби компанії Hilti .
Один (1) світлодіод швидко мигає червоним кольором	Літій-іонна акумуляторна батарея заблокована та більше не може використовуватися. Будь ласка, зверніться до сервісної служби компанії Hilti .

3.12.2 Індикація стану акумуляторної батареї

Щоб відобразити індикацію стану акумуляторної батареї, натисніть і утримуйте деблокувальну кнопку протягом більше трьох секунд. Система не встановила жодних потенційних несправностей елемента живлення, обумовлених його неналежним використанням, наприклад падінням, проколюванням, пошкодженням внаслідок впливу високих температур тощо.

Стан	Значення
Усі світлодіоди послідовно загоряються, після чого один (1) світлодіод починає постійно горіти зеленим кольором.	Експлуатацію акумуляторної батареї можна продовжувати.
Усі світлодіоди послідовно загоряються, після чого один (1) світлодіод починає швидко мигати жовтим кольором.	Не вдалося завершити перевірку стану акумуляторної батареї. Повторіть операцію або зверніться до сервісної служби компанії Hilti .



Стан	Значення
Усі світлодіоди послідовно загоряються, після чого один (1) світлодіод починає постійно горіти червоним кольором.	Якщо використання приєданого інструмента можна продовжувати, це означає, що залишкова ємність акумуляторної батареї становить менше 50 %. Якщо використання приєданого інструмента вже не можна продовжувати, це означає, що строк служби акумуляторної батареї закінчився та її потрібно замінити. Будь ласка, зверніться до сервісної служби компанії Hilti.

4 Видаткові матеріали

Дозволяється використовувати лише армовані волокнистим матеріалом шліфувальні круги (макс. Ø 125 мм) зі зв'язуючою речовиною на основі синтетичної смоли, які допущені до застосування при частоті обертання не менше 11000 об/хв. та периферійній швидкості 80 м/с.

УВАГА! Під час різання та штробління за допомогою відрізнних шліфувальних кругів завжди використовуйте стандартний захисний кожух із додатковою передньою накладкою або повністю закритий захисний кожух.

Круги

Тип	Застосування	Умове позначення	Матеріал	макс. товщина	макс. діаметр
Абразивний відрізнний шліфувальний круг	Відрізне шліфування, штробління	AC-D	металевий	2,5 мм	125 мм
Алмазний відрізнний шліфувальний круг	Відрізне шліфування, штробління	DC-TP, DC-D (SPX, SP, P)	мінеральний	3 мм	125 мм
Абразивний круг для грубого шліфування	Грубе шліфування	AG-D, AF-D, AN-D	металевий	6,4 мм	125 мм
Алмазний круг для грубого шліфування	Грубе шліфування	DG-CW (SPX, SP, P)	мінеральний	—	125 мм
Дротова щітка	Дротові щітки	3CS, 4CS, 3SS, 4SS	металевий	— 27 мм	75 мм 125 мм
Алмазна бурова коронка	Свердління отворів у кахлі	DD-M14	мінеральний	—	125 мм
Фібровий круг	Грубе шліфування	AP-D	металевий	—	125 мм

Добір кругів до приладдя, що використовується

Поз.	Приладдя	AC-D	AP-D	AG-D, AF-D, AN-D	DG-CW (SPX, SP, P)	DC-TP, DC-D (SPX, SP, P)	3CS, 4CS, 3SS, 4SS, DD-M14
A	Захисний кожух (стандарт)	✓	✓	✓	✓	✓	✓
B	Передня накладка (у комбінації з A)	✓	—	—	—	✓	—
C	Пилозахисний кожух (шліфування) DG-EX 125/5"	—	—	—	✓	—	—
D	Пилозахисний кожух (різання) DC-EX 125/5"C (у комбінації з A)	—	—	—	—	✓	—
E	Пилозахисний кожух (штробління) DC-EX 125/5"M	—	—	—	—	✓	—
F	Адаптер DC-EX SL (у комбінації з E)	—	—	—	—	✓	—



Поз.	Приладдя	AC-D	AP-D	AG-D, AF-D, AN-D	DG-CW (SPX, SP, P)	DC-TP, DC-D (SPX, SP, P)	3CS, 4CS, 3SS, 4SS, DD-M14
G	Бокова рукоятка (стандарт)	✓	✓	✓	✓	✓	✓
H	Затискна гайка (стандарт)	✓	—	✓	✓	✓	—
I	Затискний фланець (стандарт)	✓	—	✓	✓	✓	—
J	Гайка Kwik-Lock (додається до H)	✓	—	✓	—	✓	—
K	Затискна гайка (фібровий круг)	—	✓	—	—	—	—
L	Опорний диск (фібровий круг)	—	✓	—	—	—	—

5 Технічні дані

AG 4S-22-125	
Номінальна напруга	21,6 В
Номінальна частота обертання	8 500 об/хв
Максимальний діаметр круга	125 мм
Маса згідно з процедурою ЕРТА 01 без акумуляторної батареї	2,1 кг
Приводний шпindel з різьбою	M14
Довжина шпindеля	22 мм
Температура навколишнього середовища під час роботи	-17 °C ... 60 °C (1 °F ... 140 °F)
Температура зберігання	-20 °C ... 70 °C (-4 °F ... 158 °F)

5.1 Акумуляторна батарея

Робоча напруга акумуляторної батареї	21,6 В
Маса акумуляторної батареї	Інформація наведена наприкінці цієї інструкції з експлуатації
Температура навколишнього середовища під час роботи	-17 °C ... 60 °C (1 °F ... 140 °F)
Температура зберігання	-20 °C ... 40 °C (-4 °F ... 104 °F)
Температура акумуляторної батареї на початку процесу зарядження	-10 °C ... 45 °C (14 °F ... 113 °F)

5.2 Дані про шум та значення вібрації, виміряні згідно зі стандартом 62841-2-3:2021

Наведені у цих рекомендаціях значення звукового тиску та вібрації були виміряні згідно з установленою процедурою вимірювання та можуть використовуватися для порівняння електроінструментів. Вони також придатні для попереднього оцінювання шумового та вібраційного навантаження.

Наведені дані обумовлюють переважні сфери застосування електроінструмента. Однак якщо Ви використовуєте його не за призначенням, застосовуєте нестандартне приладдя або неналежним чином здійснюєте догляд за інструментом, ці дані можуть відрізнятися від вказаних значень. Це може призвести до помітного збільшення шумового та вібраційного навантаження протягом усього робочого часу.



Для більш точної оцінки шумового та вібраційного навантаження необхідно враховувати також проміжки часу, протягом яких виріб залишається вимкненим або працює на холостому ході. Це може значно зменшити вібраційне та шумове навантаження протягом усього робочого часу.

Необхідно також вживати додаткових заходів безпеки з метою захисту працівників від дії шуму та/або вібрації, зокрема: проводити своєчасне технічне обслуговування електроінструмента та змінних робочих інструментів до нього, тримати руки у теплі, належним чином організовувати робочий процес. Шліфування тонкого листового металу або інших конструкцій, які генерують легкі вібрації та мають велику площу поверхні, може призвести до утворення шуму, який перевищує вказаний рівень шуму. Рівень шуму, що утворюється, можна знизити шляхом вживання відповідних заходів, наприклад завдяки використанню важких гнучких шумоізоляційних килимів. Оцінюючи можливі ризики, пов'язані із впливом шуму, та вибираючи належні засоби захисту органів слуху, слід також враховувати ці підвищені значення.

Інформація про шум

	AG 4S-22-125
Рівень звукового тиску (L_{pA})	89 дБ(A)
Похибка для рівня звукового тиску (K_{pA})	3 дБ(A)
Рівень шумової потужності (L_{WA})	97 дБ(A)
Похибка для рівня шумової потужності (K_{WA})	3 дБ(A)

Інформація про вібрацію

Значення вібрації може змінюватися під час застосування інструмента з іншою метою, приміром для різання.

		AG 4S-22-125
Шліфування поверхні (a_{hAG})	B 22-55	5,1 м/с ²
	B 22-255	5,4 м/с ²
Похибка (K)		1,5 м/с ²

6 Підготовка до роботи

ПОПЕРЕДЖЕННЯ

Ризик отримання травм внаслідок непередбаченого увімкнення інструмента!

- ▶ Перш ніж установлювати акумуляторну батарею, переконайтеся, що відповідний інструмент вимкнений.
- ▶ Від'єднайте акумуляторну батарею, перш ніж задавати налаштування інструмента або замінити приладдя.

Дотримуйтеся попереджувальних вказівок та вказівок з техніки безпеки, наведених у цьому документі та на корпусі інструмента.

6.1 Заряджання акумуляторної батареї

1. Перед заряджанням акумуляторної батареї прочитайте інструкцію з експлуатації зарядного пристрою.
2. Контакти акумуляторної батареї та зарядного пристрою повинні бути чистими та сухими.
3. Заряджайте акумуляторну батарею тільки за допомогою тих зарядних пристроїв, які допущені до застосування з нею. → стор. 188

6.2 Установлення акумуляторної батареї

ПОПЕРЕДЖЕННЯ

Ризик отримання травм внаслідок короткого замикання або падіння акумуляторної батареї!

- ▶ Перш ніж установлювати акумуляторну батарею, переконайтеся, що на контактах батареї та інструмента немає сторонніх предметів.
- ▶ Завжди перевіряйте, щоб акумуляторна батарея була правильно зафіксована.

1. Перед першим використанням акумуляторну батарею слід повністю зарядити.
2. Уставте акумуляторну батарею в інструмент, щоб вона зафіксувалася із чітким характерним звуком.
3. Переконайтеся, що акумуляторна батарея надійно зафіксована в інструменті.



6.3 Виймання акумуляторної батареї

1. Натисніть на деблокувальну кнопку акумуляторної батареї.
2. Дістаньте акумуляторну батарею з інструмента.

6.4 Установлення захисту від падіння Hilti (опція)

Під час використання інструмента необхідно обов'язково дотримуватися місцевих указівок щодо виконання робіт на висоті.
Дотримуйтеся вказівок, наведених в інструкції з експлуатації захисту від падіння.

1. Установіть дві скоби захисту від падіння точно у передбачені для них місця на іскрозахисному кожусі.
2. Щоб закріпити захист від падіння, вкрутіть гвинти, які додаються до комплекту постачання, у передбачені в іскрозахисному кожусі отвори.
3. Установіть акумуляторну батарею. → стор. 193

6.5 Захист від падіння з висоти

ПОПЕРЕДЖЕННЯ

Ризик отримання травм внаслідок падіння робочого інструмента та/або приладдя!

- ▶ Використовуйте тільки той страхувальний строп для інструментів **Hilti**, який рекомендований для Вашого інструмента.
- ▶ Перед кожним використанням перевіряйте точку кріплення страхувального стропа для інструментів на наявність можливих пошкоджень.

Дотримуйтеся місцевих указівок щодо виконання робіт на висоті.

У якості пристрою для попередження падіння цього інструмента використовуйте тільки комбінацію захисту від падіння **Hilti** номер #2293133 та страхувального стропа для інструментів **Hilti** номер #2261970.

- ▶ Закріпіть захист від падіння в отворах для встановлення приладдя. Перевірте надійність кріплення.
- ▶ Закріпіть один гачок карабіна страхувального стропа для інструментів на захисті від падіння, а інший гачок карабіна – на несучій конструкції. Перевірте надійність кріплення обох гачків карабіна.

Дотримуйтеся вказівок, наведених в інструкції з експлуатації захисту від падіння **Hilti** та страхувального стропа для інструментів **Hilti**.

6.6 Установлення бокової рукоятки

- ▶ Прикрутіть бокову рукоятку до однієї з передбачених для цього нарізних втулок.

6.7 Установлення або зняття захисного кожуха

ОБЕРЕЖНО

Ризик отримання травм. Змінний робочий інструмент може бути гарячим, а його кромки – гострими.

- ▶ Використовуйте захисні рукавиці під час установлення або зняття деталей, виконання робіт з налаштування і усунення несправностей.
- ▶ Дотримуйтеся інструкцій зі встановлення відповідного захисного кожуха.

6.7.1 Установлення стандартного захисного кожуха

Захисний кожух має спеціальні виступи, які дають змогу встановлювати лише той кожух, що підходить для використання з інструментом. Фіксація захисного кожуха здійснюється за допомогою з'єднувачів, розташованих на кріпленні інструмента.



1. Надіньте захисний кожух на шийку шпинделя так, щоб обидва зображення трикутників на інструменті і на захисному кожусі були розташовані один напроти одного.
2. Притисніть захисний кожух до шийки шпинделя.
3. Натисніть кнопку розблокування кожуха і повертайте захисний кожух, поки він не буде зафіксований у потрібному положенні.
 - ▶ Кнопка розблокування кожуха відскакує назад.

6.7.2 Регулювання стандартного захисного кожуха

- ▶ Натисніть кнопку розблокування кожуха і повертайте захисний кожух, поки він не буде зафіксований у потрібному положенні.

6.7.3 Знімання стандартного захисного кожуха

1. Натисніть кнопку розблокування кожуха та поверніть захисний кожух таким чином, щоб обидва зображення трикутників на захисному кожусі та на інструменті були розташовані один напроти одного.
2. Зніміть захисний кожух.

6.8 Установлення та знімання передньої накладки



Передня накладка має бути прикріплена до стандартного захисного кожуха.

1. Установіть передню накладку на стандартний захисний кожух закритою стороною вгору.
 - ▶ Фіксатор має зафіксуватися із чітким характерним звуком.
2. Щоб від'єднати передню накладку, відкрийте фіксатор.
3. Зніміть передню накладку зі стандартного захисного кожуха.

6.9 Установлення та знімання змінних робочих інструментів



ОБЕРЕЖНО

Ризик отримання травм. Змінний робочий інструмент може бути гарячим.

- ▶ Під час заміни робочого інструмента використовуйте захисні рукавиці.



Алмазні круги слід замінити, коли ефективність різання або шліфування помітно знижується. Як правило, це відбувається у тому випадку, якщо висота алмазних сегментів становить менше 2 мм. Круги інших типів слід замінити, коли ефективність різання помітно знижується або коли під час роботи будь-які частини кутової шліфувальної машини (окрім круга) торкаються оброблюваного матеріалу.

Абразивні круги слід замінити після дати закінчення терміну придатності.

6.9.1 Установлення змінного робочого інструмента



ПОПЕРЕДЖЕННЯ

Ризик отримання травм. Змінний робочий інструмент може зіскочити зі шпинделя під час гальмування двигуном.

- ▶ Зачекайте, доки змінний робочий інструмент повністю зупиниться, перш ніж торкатися нього або затискної гайки.
- ▶ Фіксуйте змінний робочий інструмент та затискний фланець за допомогою затискної гайки достатньо надійно, щоб під час гальмування двигуном від шпинделя не від'єдналися жодні деталі.

1. Почистіть затискний фланець і затискну гайку.
2. Переконайтеся, що ущільнювальне кільце знаходиться у затискному фланці та не пошкоджене.
 - ▶ Замініть відсутнє або пошкоджене ущільнювальне кільце.
3. Установіть на шпиндель затискний фланець, оснащений геометричним замиканням і захистом від перекручування.
4. Установіть змінний робочий інструмент.
5. Затягніть затискну гайку відповідно до змінного робочого інструмента, що використовується.
6. Натисніть і утримуйте кнопку фіксації шпинделя.



7. За допомогою затискного ключа затягніть затискну гайку, після чого відпустіть кнопку фіксації шпindelя та зніміть ключ.

6.9.2 Зняття змінного робочого інструмента

ПОПЕРЕДЖЕННЯ

Небезпека пошкодження та руйнування. Якщо натиснути кнопку фіксації шпindelя під час обертання шпindelя, змінний робочий інструмент може зіскочити з нього.

- ▶ Натискайте кнопку фіксації шпindelя тільки після того, як він повністю зупиниться.
1. Натисніть і утримуйте кнопку фіксації шпindelя.
 2. Послабте затискну гайку, встановивши на неї ключ та повернувши його проти годинникової стрілки.
 3. Відпустіть кнопку фіксації шпindelя та вийміть змінний робочий інструмент.

6.9.3 Установлення швидкозатискної гайки **Kwik lock 10**

ПОПЕРЕДЖЕННЯ

Небезпека пошкодження. Якщо затягувати швидкозатискну гайку **Kwik-Lock** занадто міцно, вона може зламатися.

- ▶ Слідкуйте за тим, щоб під час роботи швидкозатискна гайка **Kwik-Lock** не торкалася опорної поверхні.
- ▶ Не використовуйте пошкоджену затискну гайку **Kwik-Lock**.

Замість затискної гайки можна використовувати швидкозатискну гайку **Kwik-Lock** (приладдя). Вона дає змогу змінювати робочі інструменти без використання додаткового приладдя.

1. Почистіть затискний фланець і затискну гайку.
2. Переконайтеся, що ущільнювальне кільце знаходиться у затискному фланці та не пошкоджене.
 - ▶ Замініть відсутнє або пошкоджене ущільнювальне кільце.
3. Установіть на шпindel затискний фланець, оснащений геометричним замиканням і захистом від перекручування.
4. Установіть змінний робочий інструмент.
5. Затягніть швидкозатискну гайку **Kwik-Lock**, доки вона не буде встановлена на змінний робочий інструмент.
 - ▶ Напис **Kwik-Lock** у затягнутому положенні повинен читатися.
6. Натисніть і утримуйте кнопку фіксації шпindelя.
7. Вручну обертайте змінний робочий інструмент за годинниковою стрілкою, поки швидкозатискна гайка **Kwik lock** не буде міцно затягнута.
8. Відпустіть кнопку фіксації шпindelя.

6.9.4 Зняття швидкозатискної гайки **Kwik lock**

Якщо Ви не можете відкрутити швидкозатискну гайку **Kwik lock** вручну, встановіть на неї затискний ключ та повертайте його проти годинникової стрілки. Ніколи не користуйтеся трубним ключем. Швидкозатискна гайка **Kwik lock** може бути пошкоджена внаслідок використання таких невідповідних інструментів.

1. Натисніть кнопку фіксації шпindelя.
2. Відкрутіть швидкозатискну гайку **Kwik-Lock**, обертаючи її рукою проти годинникової стрілки.
3. Відпустіть кнопку фіксації шпindelя та вийміть змінний робочий інструмент.

6.9.5 Установлення бурової коронки **11**

1. Установіть бокову рукоятку. → стор. 194
2. Установіть стандартний захисний кожух.
3. Уставте бурову коронку і закрутіть її зусиллям руки.
4. Натисніть і утримуйте кнопку фіксації шпindelя.
5. Затягніть бурову коронку за допомогою відповідного гайкового ключа.
6. Після цього відпустіть кнопку фіксації шпindelя та зніміть ключ.



6.9.6 Установлення дротової щітки

1. Установіть бокову рукоятку. → стор. 194
2. Установіть стандартний захисний кожух.
3. Уставте дротову щітку і закрутіть її зусиллям руки.
4. Натисніть і утримуйте кнопку фіксації шпинделя.
5. Затягніть дротову щітку за допомогою відповідного гайкового ключа.
6. Після цього відпустіть кнопку фіксації шпинделя та зніміть ключ.

6.9.7 Установлення фібрового круга

1. Установіть бокову рукоятку. → стор. 194
2. Установіть стандартний захисний кожух.
3. Установіть опорний диск і фібровий круг та міцно прикрутіть затискну гайку.
4. Натисніть і утримуйте кнопку фіксації шпинделя.
5. Надійно затягніть затискну гайку ключем.
6. Після цього відпустіть кнопку фіксації шпинделя та зніміть затискний ключ.

7 Експлуатація

7.1 Увімкнення

1. Натисніть на задню частину вимикача.
2. Пересуньте вимикач уперед.
 - ▶ Двигун працює.
3. Зафіксуйте вимикач.

7.2 Шліфування

ПОПЕРЕДЖЕННЯ

Ризик отримання травм. Може раптово статися блокування або заїдання змінного робочого інструмента.

- ▶ Під час роботи з інструментом завжди використовуйте бокову рукоятку, а сам інструмент міцно утримуйте обома руками.

Не допускайте заклинювання змінного робочого інструмента та не натискайте на інструмент занадто сильно.

7.3 Відрізне шліфування

- ▶ Для здійснення відрізного шліфування помірно просувайте інструмент уперед, але не перекошуйте інструмент або відрізний шліфувальний круг (він має бути розташований під кутом близько 90° до площини різання).



Щоб досягти найкращих результатів різання профілів та невеликих прямокутних труб, рекомендується спочатку розташувати відрізний шліфувальний круг з їхньої найменшої сторони.

7.4 Грубе шліфування

ПОПЕРЕДЖЕННЯ

Ризик отримання травм. Відрізний шліфувальний круг може тріснути, а його уламки, що розлітаються, можуть спричинити травми.

- ▶ Для грубого шліфування ніколи не використовуйте відрізні шліфувальні круги.
- ▶ Пересувайте інструмент вперед і назад, помірно натискаючи на нього та утримуючи його під кутом від 5° до 30°.
 - ▶ Таким чином вдається уникнути надмірного нагріву оброблюваної деталі, її знебарвлення та утворення рубців.



7.5 Вимикання інструмента

- ▶ Натисніть на задню частину вимикача.
 - ▶ Вимикач переходить у положення вимкнення, після чого двигун зупиняється.

8 Догляд і технічне обслуговування

ПОПЕРЕДЖЕННЯ

Небезпека травмування під час виконання робіт на інструменті з установленою акумуляторною батареєю!

- ▶ Завжди діставайте з інструмента акумуляторну батарею, перш ніж розпочинати будь-які роботи з догляду та технічного обслуговування!

НЕБЕЗПЕКА

Небезпека ураження електричним струмом через несправність захисної ізоляції. Під час обробки металів у жорстких умовах експлуатації всередині інструмента може накопичуватися електропровідний пил (наприклад, металевий пил або пил вуглецевого волокна), що у свою чергу може негативно сказатися на захисній ізоляції інструмента.

- ▶ У жорстких умовах експлуатації використовуйте стаціонарний витяжний пристрій.
- ▶ Регулярно очищайте вентиляційні прорізи інструмента.

Догляд за інструментом

- Видаляйте накопичення бруду обережно.
- Чистьте корпус інструмента тільки вологою тканиною. Не використовуйте миючі засоби, що містять силікон, оскільки вони можуть пошкодити пластмасові деталі.
- Для чищення контактів інструмента використовуйте чисту суху тканину.

Догляд за літій-іонними акумуляторними батареями

- Ніколи не використовуйте акумуляторну батарею із заблокованими вентиляційними прорізами. Обережно прочищайте вентиляційні прорізи м'якою сухою щіткою.
- Уникайте зайвого контакту акумуляторної батареї з пилом або брудом. Ніколи не піддавайте акумуляторну батарею впливу високої вологості (зокрема, не занурюйте її у воду та не залишайте під дощем).

Якщо рідина потрапила всередину акумуляторної батареї, з нею слід поводитися як із пошкодженою акумуляторною батареєю. Ізолюйте акумуляторну батарею у контейнері з незаймистого матеріалу та зверніться до сервісної служби компанії **Hilti**.


- Не допускайте забруднення акумуляторної батареї сторонніми мастильними матеріалами. Слідкуйте за тим, щоб на акумуляторній батареї не накопичувалась занадто велика кількість пилу або бруду. Видаляйте забруднення з акумуляторної батареї м'якою сухою щіткою або чистою сухою тканиною. Не використовуйте миючі засоби, що містять силікон, оскільки вони можуть пошкодити пластмасові деталі.

Не торкайтеся контактів акумуляторної батареї та не видаляйте з них мастильні матеріали, нанесені на заводі виробника.

- Чистьте корпус інструмента тільки вологою тканиною. Не використовуйте миючі засоби, що містять силікон, оскільки вони можуть пошкодити пластмасові деталі.

Технічне обслуговування

- Регулярно перевіряйте усі зовнішні частини інструмента на наявність пошкоджень, а органи керування – на предмет справної роботи.
- Не використовуйте інструмент у разі виявлення пошкоджень та/або порушень функціональності. негайно передайте інструмент до сервісної служби компанії **Hilti** для здійснення ремонту.
- Після завершення робіт з догляду і технічного обслуговування встановіть усі захисні пристрої та перевірте їхню роботу.

 Щоб гарантувати належну роботу інструмента, використовуйте тільки оригінальні запасні частини та видаткові матеріали. Рекомендовані компанією **Hilti** запасні частини, видаткові матеріали та приладдя для інструмента Ви можете придбати у найближчому магазині **Hilti Store** або на веб-сайті www.hilti.group



9 Транспортування та зберігання акумуляторних інструментів та акумуляторних батарей

Транспортування

ОБЕРЕЖНО

Непередбачене увімкнення інструмента під час транспортування !

- ▶ На час транспортування завжди діставайте з інструмента акумуляторну батарею!
- ▶ Діставайте акумуляторну(-і) батарею(-ї).
- ▶ Ніколи не перевозьте акумуляторні батареї у незапакованому вигляді. Під час перевезення акумуляторні батареї повинні бути захищені від сильних поштовхів та вібрацій, а також ізольовані від будь-яких струмопровідних матеріалів та від інших акумуляторних батарей. Це дозволить уникнути короткого замикання, яке може статися через контакт полюсів різних акумуляторних батарей. **Дотримуйтеся місцевих правил, які регламентують порядок перевезення акумуляторних батарей.**
- ▶ Забороняється пересилати акумуляторні батареї поштою. Для пересилання непошкоджених акумуляторних батарей зверніться до кур'єрської служби.
- ▶ Перед кожним використанням, а також перед тривалим транспортуванням і після його завершення перевіряйте інструмент та акумуляторні батареї на наявність пошкоджень.

Зберігання

ПОПЕРЕДЖЕННЯ

Непередбачене пошкодження інструмента через несправність акумуляторної батареї або через виток електроліту з акумуляторної батареї !

- ▶ На час зберігання завжди діставайте з інструмента акумуляторну батарею!
- ▶ Зберігайте інструмент та акумуляторні батареї у сухому прохолодному місці. Дотримуйтеся діапазону температур, зазначеного у технічних даних інструмента.
- ▶ Не зберігайте акумуляторні батареї на зарядному пристрої. Після закінчення процесу заряджання завжди від'єднайте акумуляторну батарею від зарядного пристрою.
- ▶ Не зберігайте акумуляторні батареї на сонці, біля джерел тепла або на підвіконні.
- ▶ Зберігайте інструмент та акумуляторні батареї у сухому місці, недоступному для дітей та сторонніх осіб.
- ▶ Перед кожним використанням, а також перед тривалим зберіганням і після його завершення перевіряйте інструмент та акумуляторні батареї на наявність пошкоджень.

10 Допомога у разі виникнення несправностей

У разі виникнення будь-яких несправностей звертайте увагу на індикатор стану заряду та несправності акумуляторної батареї. Додаткова інформація наведена у розділі «**Варіанти індикації літій-іонної акумуляторної батареї**».

У разі виникнення несправностей, які не зазначені у цій таблиці або які Ви не можете полагодити самостійно, зверніться до сервісної служби компанії **Hilti**.

Несправність	Можлива причина	Рішення
Інструмент не вмикається.	Акумуляторна батарея розряджена.	▶ Замініть акумуляторну батарею та зарядьте розряджену акумуляторну батарею.
Акумуляторна батарея розряджається швидше, ніж звичайно.	Занадто низька температура навколишнього середовища.	▶ Зачекайте, доки акумуляторна батарея повільно нагріється до кімнатної температури.
Акумуляторна батарея не зафіксується з чітким відчутним клацанням.	Фіксатор акумуляторної батареї засмічений.	▶ Прочистьте зачіпку фіксатора та вставте акумуляторну батарею знову.
Кутова шліфувальна машина або її акумуляторна батарея сильно перегріваються.	Електрична несправність	▶ Негайно вимкніть інструмент, дістаньте акумуляторну батарею, поспостерігайте за нею, дайте їй охолонути, після чого зверніться до сервісної служби компанії Hilti .



Несправність	Можлива причина	Рішення
Кутова шліфувальна машина або її акумуляторна батарея сильно перегріваються.	Вентиляційні прорізи заблоковані	▶ Регулярно прочищайте вентиляційні прорізи.
Не працює функція гальмування двигуном.	Акумуляторна батарея розряджена.	▶ Замініть акумуляторну батарею та зарядіть розряджену акумуляторну батарею.
	Сталося короткочасне перенавантаження інструмента.	▶ Вимкніть інструмент, а потім увімкніть його знову.

11 Утилізація

ПОПЕРЕДЖЕННЯ

Ризик отримання травм внаслідок неналежної утилізації! Небезпека для здоров'я внаслідок контакту з газами або рідинами, що виходять з акумуляторної батареї.

- ▶ Пошкоджені акумуляторні батареї забороняється пересилати поштою або кур'єрською службою!
- ▶ Закрийте контакти акумуляторних батарей електронепровідним матеріалом, щоб запобігти короткому замиканню.
- ▶ Утилізуйте акумуляторні батареї таким чином, щоб вони не потрапили до рук дітей.
- ▶ Щоб утилізувати акумуляторну батарею, передайте її до найближчого магазину **Hilti Store** або зверніться до представника відповідної компанії з утилізації відходів.

Більшість матеріалів, з яких виготовлено інструменти компанії **Hilti**, придатні для вторинної переробки. Передумовою для їхньої вторинної переробки є належне сортування відходів за типом матеріалу. У багатьох країнах світу компанія **Hilti** приймає старі інструменти для їхньої утилізації. Щоб отримати додаткову інформацію, звертайтеся до сервісної служби компанії **Hilti** або до свого торгового консультанта.



- ▶ Не викидайте електроінструменти, електронні пристрої та акумуляторні батареї у баки для побутового сміття!

12 Гарантійні зобов'язання виробника

- ▶ З питань гарантії, будь ласка, звертайтеся до найближчого партнера компанії **Hilti**.

13 Додаткова інформація

Щоб ознайомитися із додатковою інформацією про застосування й технічне обслуговування інструмента, його вплив на навколишнє середовище, а також про його утилізацію, будь ласка, скористайтеся цим посиланням: qr.hilti.com/manual/?id=2252233&id=2252235&id=2251374

Це посилання також наведене наприкінці документа у вигляді QR-коду.

Түпнұсқа пайдалану бойынша нұсқаулық

1 Пайдалану бойынша нұсқаулық туралы мәліметтер

1.1 Осы пайдалану бойынша нұсқаулық туралы

EAC

Импорттауыш және өндірушінің өкілетті ұйымы

- (RU) Ресей Федерациясы
"Хилти Дистрибьюшн ЛТД" АҚ, 141402, Мәскеу облысы, Химки қ., Ленинградская к-сі, 25-бет, 15.26-құрылымы
- (BY) Беларусь Республикасы
"Хилти БиУай" ЖШС, 222750, Минск облысы, Дзержин ауданы, Р-1, 18 км, 2 (Слободка ауылының жанында), 1-34 құрылымы



- (KZ) Қазақстан Республикасы
"Хилти Қазақстан" ЖШС, 050057, Алматы қ., Бостандық ауданы, Тимирязев к-сі, 42/15 үй, литер 012 (15 корпус)
- (KG) Қырғыз Республикасы
"Т AND Т" ЖШҚ, 720021, Қырғызстан, Бішкек қ., Ибраимов көш., 29 А үйі
- (AM) Армения Республикасы
"ЭЙЧ-КОН" ЖШҚ, 0070, Ереван қ., Ерманда Кочар к-сі, 19/28

Өндірілген елі: жабдықтағы белгілеу тақтайшасын қараңыз.

Өндірілген күні: жабдықтағы белгілеу тақтайшасын қараңыз.

Тиісті сертификатты мына мекенжай бойынша табуға болады: www.hilti.ru

Сақтау, тасымалдау және пайдалану шарттарына пайдалану бойынша нұсқаулықта белгіленгеннен басқа арнайы талаптар қойылмайды.

Өнімнің қызмет ету мерзімі 5 жыл.

- Ескерту! Өнімді пайдаланбас бұрын өніммен бірге берілген пайдалану бойынша нұсқаулықты, соның ішінде нұсқаулар, қауіпсіздік және ескерту нұсқаулары, суреттер мен спецификацияларды міндетті түрде оқып шығыңыз және түсініп алыңыз. Барлық нұсқаулар, қауіпсіздік және ескерту нұсқаулары, суреттер, спецификациялар, сондай-ақ құрамдас бөлшектер және функциялармен танысып шығыңыз. Бұл нұсқау орындалмаған жағдайда, ток соғу, өрт және/немесе ауыр жарақат алу қаупі туындайды. Пайдалану бойынша нұсқаулықты, соның ішінде барлық нұсқауларды, қауіпсіздік және ескерту нұсқауларын кейін пайдалану үшін сақтап қойыңыз.
- өнімдері кәсіби пайдаланушыларға арналған және оларды тек қана өкілетті, білікті қызметкерлер пайдалануы, күтім және техникалық қызмет көрсетуі тиіс. Қызметкерлер қауіпсіздік техникасы бойынша арнайы нұсқау алуы керек. Өнім мен оның қосалқы құралдарын басқа мақсатта қолдану немесе олардың оқытылмаған қызметкерлердің тарапынан пайдаланылуы қауіпті.
- Берілген пайдалану бойынша нұсқаулық басып шығарылған мезетте техниканың ағымдағы жағдайына сәйкес келеді. Ағымдағы нұсқау әрдайым Hilti өнімдерінің веб-сайтында қолжетімді. Ол үшін осы пайдалану бойынша нұсқаулықта деп белгіленген сілтемеге өтіңіз немесе QR кодын сканерлеңіз.
- Өнімді басқа тұлғаларға тек осы пайдалану бойынша нұсқаулықпен бірге беріңіз.

1.2 Шартты белгілердің анықтамасы

1.2.1 Ескерту

Ескертулер өнімді қолдану барысындағы қауіптер туралы ескертеді. Төмендегі сигналдық сөздер пайдаланылады:

ҚАУІПТІ

ҚАУІПТІ!

- ▶ Ауыр жарақаттарға әкелетін немесе өмірге қауіп төндіретін тікелей қауіпті жағдайдың жалпы белгіленуі.

ЕСКЕРТУ

ЕСКЕРТУ!

- ▶ Ауыр жарақаттарға әкелуі немесе өмірге қауіп төндіруі мүмкін ықтимал қауіпті жағдайдың жалпы белгіленуі.

АБАЙЛАҢЫЗ

АБАЙЛАҢЫЗ!

- ▶ Жарақат алуға немесе мүлктің зақымдалуына әкелуі мүмкін ықтимал қауіпті жағдайдың жалпы белгіленуі.

1.2.2 Пайдалану бойынша нұсқаулықтағы белгілер

Бұл пайдалану бойынша нұсқаулықта төмендегі белгілер пайдаланылады:



Пайдалану бойынша нұсқаулықты ұстану



	Аспапты пайдалану бойынша нұсқаулар және басқа пайдалы ақпарат
	Қайта пайдалануға болатын материалдармен жұмыс істеу
	Электр аспаптарды және аккумуляторларды тұрмыстық қоқысқа тастамаңыз
	Hilti Li-Ion аккумуляторы
	Hilti зарядтағыш құрылғысы

1.2.3 Суреттердегі белгілер

Суреттерде төмендегі белгілер қолданылады:

	Бұл сандар осы пайдалану бойынша нұсқаулықтың басындағы тиісті суретке сәйкес келеді.
3	Нөмірлеу суреттегі жұмыс қадамдарының реттілігін білдіреді және мәтіндегі жұмыс қадамдарынан өзгешеленуі мүмкін.
	Позиция нөмірлері Шолу суретінде қолданылады және Өнімге шолу мақаласындағы шартты белгілердің нөмірлеріне сілтейді.
	Аталмыш белгілер өнімді қолдану барысында айрықша назарыңызды аудартады.

1.3 Өнімге қатысты белгілер

1.3.1 Өнімдегі белгілер

Өнімде төмендегі белгілер пайдаланылуы мүмкін:

	Қорғауыш көздірікті киіңіз
n_0	Жүктемесіз номиналды айналу жиілігі
/min	Минут ішіндегі айналымдар
RPM	Минут ішіндегі айналымдар
\varnothing	Диаметр
---	Тұрақты ток
	Кесу жұмыстарын өткізу кезінде стандартты қаптамамен жұмыс істеңіз.
	Өрдайым екі қолмен жұмыс істеңіз.
	Өнім iOS және Android платформаларымен үйлесімді NFC технологиясын қолдайды.
Li-Ion	Литий-иондық аккумулятор
	Аккумуляторды еш жағдайда соқпа құрал ретінде пайдаланбаңыз.
	Аккумуляторды құлатып жібермеңіз. Соққы тиген немесе басқа жолмен зақымдалған аккумуляторды пайдаланбаңыз.

1.4 Өнім туралы ақпарат

HILTI өнімдері кәсіби пайдаланушыларға арналған және оларды тек қана өкілетті, білікті қызметкерлер пайдалануы, күтім және техникалық қызмет көрсетуі тиіс. Қызметкерлер қауіпсіздік техникасы бойынша арнайы нұсқау алуы керек. Өнім мен оның қосалқы құралдарын басқа мақсатта қолдану немесе олардың оқытылмаған қызметкерлердің тарапынан пайдаланылуы қауіпті. Түр сипаттамасы мен сериялық нөмір фирмалық тақтайшада берілген.



- ▶ Сериялық нөмірді төмендегі кестеге көшіріп қойыңыз. Өнім туралы мәліметтерді өкілдігімізге немесе қызмет көрсету бөлімімізге сұрау беру арқылы алуға болады.

Өнім туралы мәліметтер

Аккумуляторлық бұрыштық ажарлау машинасы	AG 4S-22-125
Буын	02
Сериялық нөмір	

1.5 Сәйкестілік декларациясы

Өндіруші осы нұсқаулықта сипатталған өнімнің қолданыстағы заңнамаға және қолданыстағы стандарттарға сәйкес екендігін толық жауапкершілікпен жариялайды. Сәйкестілік декларациясының суреті осы құжаттамаңыз соңында орналасқан.

Техникалық құжаттама мына жерде сақталған:

Hilti Entwicklungsgesellschaft mbH | Zulassung Geräte | Hiltistraße 6 | 86916 Kaufering, DE

2 Қауіпсіздік

2.1 Электр құралдары үшін қауіпсіздік техникасы бойынша жалпы нұсқаулар

⚠ ЕСКЕРТУ Бұл электр құралына арналған барлық қауіпсіздік нұсқауларын, нұсқауларды, суреттерді және техникалық деректерді оқып шығыңыз. Төменде берілген нұсқауларды орындамау электр тогының соғуына, өртке әкелуі мүмкін және/немесе ауыр жарақаттарды тудыруы мүмкін.

Қауіпсіздік техникасы бойынша барлық нұсқауларды және нұсқауларды келесі пайдаланушы үшін сақтаңыз.

Қауіпсіздік нұсқауларында қолданылатын «электр құралы» термині электр желісінен (желілік кабельмен) және аккумулятордан (желілік кабельсіз) жұмыс істейтін электр құралын білдіреді.

Жұмыс орны

- ▶ **Жұмыс орнындағы тазалықты және тәртіпті қадағалаңыз.** Жұмыс орнындағы ретсіздік және нашар жарық сәтсіз жағдайларға әкелуі мүмкін.
- ▶ **Жанғыш сұйықтықтар, газдар немесе шаң бар жарылыс қаупі бар аймақта электр құралын қолданбаңыз.** Жұмыс кезінде электр құралдары ұшқындар шығады және ұшқындар шаңды немесе буларды тұндыруы мүмкін.
- ▶ **Балалардың және бөгде адамдардың жұмыс істеп тұрған электр құралына жақындауына рұқсат етпеңіз.** Жұмысқа көңіл бөлмегенде, электр құралын бақылау жоғалуы мүмкін.

Электр қауіпсіздігі

- ▶ **Электр құралдың байланыс ашасы электр желісінің розеткасына сай болуы керек. Айырдың конструкциясын өзгертпеңіз. Қорғауыш жерге қосуы бар электр құралдарымен бірге өтпелі айырларды қолданбаңыз.** Түпнұсқа айырлар және оларға сай розеткалар электр тогының соғу қаупін азайтады.
- ▶ **Жерге қосылған беттерге, мысалы, құбырларға, жылыту құралдарына, пештерге (плиталарға) және тоңазытқыштарға тікелей тиюді болдырмаңыз.** Жерге қосылған заттарға тигенде электр тогының соғуының үлкен қаупі туындайды.
- ▶ **Электр құралдарды жаңбырдан немесе ылғал әсерінен сақтаңыз.** Электр құралға су тиюі нәтижесінде электр тогының соғу қаупі артады.
- ▶ **Байланыс сымын басқа мақсатта қолданбаңыз, мысалы, электр құралды тасымалдау, оны іліп қою немесе электр желісінің розеткасынан айырды шығару үшін.** Байланыс сымын жылу, май, өткір жиіктер немесе жылжымалы бөліктерден алшақ ұстаңыз. Байланыс сымының зақымдалуы немесе қабаттасуы нәтижесінде электр тогының соғу қаупі артады.
- ▶ **Егер жұмыстар ашық ауада орындалса, тек бөлмелерден тыс қолдануға рұқсат етілген ұзартқыш сымдарды пайдаланыңыз.** Бөлмелерден тыс қолдануға жарамды ұзартқыш сымды пайдалану электр тогының соғу қаупін азайтады.
- ▶ **Егер электр құралмен ылғалдылық жағдайларында жұмыс істеуді болдырмау мүмкін емес болса, шығып кететін токтан қорғау автоматын қолданыңыз.** Шығып кететін токтан қорғау автоматын қолдану электр тогының соғу қаупін азайтады.

Адамдардың қауіпсіздігі

- ▶ **Ұқыпты болыңыз, әрекеттеріңізге көңіл бөліңіз және электр құралымен жұмыс істеуге дұрыс қараңыз.** Шаршаған кезде немесе есірткі, алкоголь не дәрі қабылдаған соң электр құралын



қолданбаңыз. Электр құралын қолданған кездегі зейінсіздік ауыр жарақаттарға апарып соғуы мүмкін.

- ▶ **Жеке қорғану құралдарын пайдаланыңыз және әрқашан міндетті түрде қорғауыш көзілдірікті киіңіз.** Электр құралының түріне және пайдалану жағдайларына байланысты жеке қорғану құралдарын, мысалы, шаңнан қорғайтын респираторды, сырғымайтын аяқ киімді, қорғауыш шлемді, естуді қорғау құралдарын қолдану жарақаттану қаупін азайтады.
- ▶ **Электр құралының кездейсоқ қосылуын болдырмаңыз.** Электр қуатына қосу және/немесе аккумуляторды қою, көтеру немесе тасымалдау алдында электр құралы өшірілгеніне көз жеткізіңіз. Электр құралын тасымалдағанда саусақтар сөндіргіште болатын немесе қосылған электр құралы желіге қосылатын жағдайлар сәтсіз жағдайларға әкелуі мүмкін.
- ▶ **Электр құралын қосу алдында реттеуші құрылғыларды және гайка кілтін алыңыз.** Электр құралының айналатын бөлігіндегі аспап немесе кілт жарақаттарға әкелуі мүмкін.
- ▶ **Жұмыс кезінде ыңғайсыз қалыптарға тұрмауға тырысыңыз. Үнемі тұрақты күйді және тепеңдікті сақтаңыз.** Бұл күтпеген жағдайларда электр құралын жақсырақ басқаруға мүмкіндік береді.
- ▶ **Арнайы киімді киіңіз. Өте бос киімді немесе әшекейлерді кимеңіз. Шашты, киімді және қолғапты электр құралының айналатын түйіндерінен сақтаңыз.** Бос киім, әшекейлер және ұзын шаш оларға ілінуі мүмкін.
- ▶ **Егер шанды жинау және кетіруге арналған құрылғыларды қосу қарастырылған болса, олар қосылғанына және мақсаты бойынша қолданылып жатқанына көз жеткізіңіз.** Шанды кетіру модулін пайдалану шаңның зиянды әсерін азайтады.
- ▶ **Өз мойныңызға қате қауіпсіздік сезімін алмаңыз және электр құралына арналған қауіпсіздік ережелерін бұзбаңыз, тіпті электр құралын жиі қолданатын тәжірибелі пайдаланушы болсаңыз.** Мұқиятсыз қолдану бірнеше секундта ауыр жарақаттануға апарып соғуы мүмкін.

Электр құралын қолдану және оған қызмет көрсету

- ▶ **Аспапқа шамадан тыс жүктеме түсуді болдырмаңыз.** Нақ осы жұмысқа арналған электр құралын қолданыңыз. Бұл ережені сақтау көрсетілген қуат диапазонында жоғарырақ жұмыс сапасын және қауіпсіздігін қамтамасыз етеді.
- ▶ **Сөндіргіші бұзылған электр құралын қолданбаңыз.** Қосу немесе өшіру қиын электр құралы қауіпті және оны жөндеу керек.
- ▶ **Электр құралын реттеуге, саймандарды ауыстыруға кірісу алдында немесе жұмыстағы үзіліс алдында розеткадан ашаны және/немесе электр құралынан алмалы-салмалы аккумуляторды шығарыңыз.** Бұл сақтық шарасы электр құралының кездейсоқ қосылуын болдырмайды.
- ▶ **Қолданылмайтын электр құралдарын балалар жетпейтін жерде сақтаңыз.** Аспаппен таныс емес немесе осы нұсқауларды оқып шықпаған адамдарға аспапты пайдалануға рұқсат бермеңіз. Электр құралдары тәжірибесі жоқ пайдаланушылардың қолында қауіпті болады.
- ▶ **Электр құралдары мен керек-жарақтарға ұқыпты қараңыз.** Айналмалы бөліктерді мүлтіксіз қызмет ететінін, олардың жүрісінің жеңілдігін, барлық бөліктердің тұтастығын және электр құралының жұмысына теріс әсер етуі мүмкін зақымдардың жоқтығын тексеріңіз. Аспаптың зақымдалған бөліктерін оны қолдану алдында жөндеуге өткізіңіз. Электр құралына техникалық қызмет көрсету ережелерін сақтамау көп сәтсіз жағдайлардың себебі болып табылады.
- ▶ **Кескіш аспаптардың үшкір және таза болуын қадағалау керек.** Жұмыс күйінде сақталатын кескіш аспаптардың сыналануы сиректеу болады, оларды басқару жеңілдеу.
- ▶ **Электр құралын, саймандарды, көмекші құрылғыларды және т.б. нұсқауларға сай пайдаланыңыз.** Бұл кезде жұмыс жағдайларын және орындалатын жұмыстың сипатын ескеріңіз. Электр құралдарын басқа мақсаттарда қолдану қауіпті жағдайларға әкелуі мүмкін.
- ▶ **Тұтқыштар мен тұтқыш беттерін таза, құрғақ, май іздерінсіз ұстаңыз.** Сырғанақ тұтқыштар мен олардың беттері белгілі бір жағдайларда электр құралының қауіпсіз қолданылуы мен басқарылуына жол бермейді.

Аккумуляторлық аспапты пайдалану және оған қарау

- ▶ **Аккумуляторды тек өндіруші ұсынған зарядтағыш құрылғылардың көмегімен зарядтаңыз.** Зарядтағыш құрылғыны тиісті емес аккумулятор түрлерін зарядтау үшін қолданғанда өрт туындауы мүмкін.
- ▶ **Аспаппен жұмыс істеу үшін тек тиісті аккумуляторларды қолданыңыз.** Басқа аккумуляторларды пайдалану жарақаттарға әкелуі және өрт тудыруы мүмкін.
- ▶ **Пайдаланылмайтын аккумуляторларды контакттардың тұйықталуының себебі болуы мүмкін скрепкалардан, тындардан, кілттерден, инелерден, винттерден және басқа металл заттардан ары сақтаңыз.** Аккумулятор контактарының тұйықталуы күйіктерге немесе тұтануға әкелуі мүмкін.



- ▶ **Аккумулятормен тиісті емес түрде жұмыс істегенде одан электролит ағып шығуы мүмкін. Оған тиюді болдырмаңыз. Кездейсоқ тигенде сумен шайыңыз. Электролит кезге тигенде дәрігер көмегіне жүгініңіз.** Аккумулятордан ағып шыққан электролит тері тітіркенуін немесе күйіктерді тудыруы мүмкін.
- ▶ **Зақымдалған не пішіні өзгертілген аккумуляторларды қолданбаңыз.** Зақымдалған не пішіні өзгертілген аккумуляторларды болжауға болмайды және олар өрт, жарылыс не жарақаттану қаупін тудырады.
- ▶ **Аккумуляторды өрт не жоғары температуралы аймақтардан алшақ ұстаңыз.** Өрт немесе 130 °C (265 °F) жоғары температуралар жарылыс тудыруы мүмкін.
- ▶ **Зарядтау үшін барлық нұсқауларды орындаңыз және аккумулятор не аккумуляторлық құралды ешқашан пайдалану бойынша нұсқаулықта берілген температура ауқымдарынан тыс зарядтамаңыз.** Қате зарядтау немесе рұқсатты температура ауқымдарынан тыс зарядтау аккумуляторды бұзуы және өрт қаупін арттыруы мүмкін.

Қызмет

- ▶ **Электр құралын жөндеуді тек түпнұсқа қосалқы бөлшектерді қолданатын білікті қызметкерлерге сеніп тапсырыңыз.** Бұл электр құралын қауіпсіз күйде сақтауды қамтамасыз етеді.
- ▶ **Зақымдалған аккумуляторларға ешқашан қызмет көрсетпеңіз.** Аккумулятордың толық күтімін тек өндіруші немесе өкілетті қызмет көрсету орталықтары орындауы тиіс.

2.2 Барлық жұмыстарға арналған қауіпсіздік техникасы бойынша нұсқаулар

Ажарлау, егеуқұм қағазымен ажарлау, сым қылшақтармен жұмыс істеу, жылтырату және абразивті кесу бойынша қауіпсіздік техникасының жалпы нұсқаулары:

- ▶ **Бұл электр құралды ажарлағыш, егеуқұм қағазымен ажарлағыш, сым қылшақ, жылтыратқыш, саңылау кескіш және абразивті кесу машинасы ретінде пайдалануға рұқсат етіледі. Аспапмен бірге алынған барлық қауіпсіздік техникасы туралы нұсқауларды, нұсқауларды, схемаларды және деректерді орындаңыз.** Төменде берілен нұсқауларды орындамау электр тогының соғуына, өртке және/немесе ауыр жарақаттарға әкелуі мүмкін.
- ▶ **Электр құралды, ол құрал өндірушісі арнайы жобаламаған және белгілемеген жолмен жұмыс істейтіндей өзгертілмеңіз.** Мұндай өзгеріс бақылау мүмкіндігінен айырылуға және ауыр жарақат алуға әкелуі мүмкін.
- ▶ **Өндіруші арнайы осы электр құрал үшін арнайы әзірлемеген және мақұлдамаған керек-жарақтарды қолданбаңыз.** Сіздің электр құралда қандай да сайманды бекіте алғаныңыз оны қауіпсіз пайдалануға кепіл бермейді.
- ▶ **Алмалы-салмалы құралда көрсетілген шекті айналу жиілігі электр құралда көрсетілген ең көп айналу жиілігінен азырақ болмауы керек.** Рұқсат етілгеннен көбірек жиілікпен айналатын жұмыс аспабы бұзылуы мүмкін.
- ▶ **Алмалы-салмалы құралдың сыртқы диаметрі және қалыңдығы электр құралдың өлшемдеріне сай болуы керек.** Өлшемдері қажеттіге сай келмейтін жұмыс аспаптарын жеткілікті дәрежеде экрандау немесе басқару мүмкін емес.
- ▶ **Бұрандалы алмалы-салмалы аспаптар ажарлау шпинделінің ирек оймасына сай болуы керек.** Фланецпен орнатылатын алмалы-салмалы аспаптарда алмалы-салмалы аспаптың тесік диаметрі фланецтің патрон диаметріне сай болуы керек. Электр құралда дұрыс бекітілмеген алмалы-салмалы аспаптар бір қалыпта айланбай, қатты дірілдеп бақылау жоғалтуына алып келуі мүмкін.
- ▶ **Зақымдалған жұмыс аспаптарын қолданбаңыз.** Өр пайдалану алдында ажарлағыш дискілерде сынықтар мен сызаттар, ажарлағыш төрелкелерде сызаттар, тозу немесе қатты сырылу, сым қылшақтарында сыну немесе үзілу бар-жоғын тексеріңіз. Электр құрал немесе жұмыс аспабы құлағаннан кейін оларда зақымдар бар-жоғын тексеріңіз немесе жұмыс аспабын ауыстыруды орындаңыз. Айналатын алмалы-салмалы аспапты қолданғанда оператор мен жанында тұрған тұлғалар одан қауіпсіз қашықтықта болуы керек. Аспапқа бір минут бойы ең көп айналу жиілігімен жұмыс істеуге мүмкіндік беру керек. Ақаулы жұмыс аспаптары көбінесе осы бақылау уақыт аралығында істен шығады.
- ▶ **Жеке қорғану құралдарын пайдаланыңыз.** Жағдайларға байланысты қорғауыш масканы немесе қорғауыш көздірікті қолданыңыз. Қажет болғанда шаңнан қорғайтын масканы, қорғауыш құлақпапты, қорғауыш қолғаптарды немесе сізді өңдеп жатқан материалдың майда бөлшектерінен қорғайтын арнайы алжапқышты қолданыңыз. Өр түрлі жұмыстарды орындау кезінде пайда болатын бөлшектердің көзге тиюінен қорғауды қамтамасыз ету керек. Жұмыс кезінде пайда болатын шаңды респиратордың шаңнан қорғайтын сүзгіні ұстап тұруы керек. Қатты шу тым көп әсер еткенде есту қабілеті жоғалуы мүмкін.



- ▶ **Бөгде тұлғалар жұмыс аймағынан қауіпсіз қашықтықта болуын қадағалаңыз.** Жұмыс аймағындағы кез келген адам жеке қорғану құралдарын қолдануы керек. Өңдеп жатқан бөлшектердің немесе бұзылған жұмыс аспаптарының сынықтары шетке ұшуы және тіпті жұмыс аймағының шектерінен тыс жарақаттауы мүмкін.
- ▶ **Пайдаланатын сайманыңыз көзден таса электр желісіне тиіп кетуі мүмкін болса, аспаптың арнайы жеке бөлінген жерінен ғана ұстаңыз.** Электр сымдарына тигенде аспаптың қорғалмаған металл бөліктері кернеу астында болады. Бұл электр тогының соғуына әкелуі мүмкін.
- ▶ **Электр құралды алмалы-салмалы аспап толық тоқтағанша алмаңыз.** Айналатын жұмыс аспабы тірек бетіне тиіп, осының салдарынан сіз электр құралды басқаруды жоғалтуыңыз мүмкін.
- ▶ **Тасымалдау кезінде электр құралдың қосылуын болдырмаңыз.** Айналатын алмалы-салмалы аспап кездейсоқ киімніңізді жиектерін іліп алуы және айналғанда сізді жарақаттауы мүмкін.
- ▶ **Электр құралдың желдету саңылауларын тұрақты түрде тазалаңыз.** Қозғалтқыш корпусына тартылатын металл шаңының артық концентрациясы электр тогының соғу қаупін тудыруы мүмкін.
- ▶ **Оңай тұтанатын материалдардың жанында электр құралды қолданбаңыз.** Ұшқындардың тиюі бұл материалдарды тұтандыруы мүмкін.
- ▶ **Пайдалану үшін салқындату сұйықтықтары қажет алмалы-салмалы аспаптарды қолданбаңыз.** Суды немесе басқа салқындату сұйықтықтарын қолдану электр тогының соғу қаупіне әкелуі мүмкін.

Қайтарым және тиісті нұсқаулар

Қайтарым айналып жатқан аспап (ажарлағыш дөңгелек, ажарлағыш төрелке, сым қылшақ және т.б.) іліну немесе бұғатталу кезінде пайда болатын күтпеген реакция болып табылады. Іліну немесе бұғатталу айналып жатқан алмалы-салмалы аспаптың кенет тоқтауына әкеледі. Бұғатталу орнында алмалы-салмалы аспаптың қарама-қарсы бағытта айналуына байланысты электр құралдың басқарылмайтын қозғалысы орын алады.

Өңдеп жатқан бөлшекте ажарлағыш диск ілінгенде немесе бұғатталғанда, бөлшекке салынатын ажарлағыш дискінің жиегі тұрып қалуы мүмкін. Бұл дискінің сынуына әкеледі немесе қайтарымды тудырады. Бұл кезде ажарлағыш диск оператор бағытында немесе оған кері қозғалады (бұғатталу сәтінде дискінің айналу бағытына байланысты). Сонымен бірге бұл ажарлағыш дискінің сынуына әкелуі мүмкін.

Қайтарым электр құралды дұрыс емес немесе қате қолданудың салдары болып табылады. Төменде берілген сақтық шараларын орындаған жағдайда мұны болдырмауға болады.

- ▶ **Электр құралын екі қолмен мықтап ұстап алыңыз және кері соққыны амортизациялауға мүмкіндік беретін дене мен қолдың қалпын қабылдаңыз.** Электр қозғалтқышы тездегенде пайда болатын қайтарымды немесе реактивті моментті максималды басқару үшін әрқашан қосымша тұтқышты (бар болса) қолданыңыз. Тиісті сақтық шараларын қолданған жағдайда оператор қайтарымды және реактивті моментті басқара алады.
- ▶ **Қол буынын айналатын алмалы-салмалы аспапқа ешқашан жақындатпаңыз.** Қайтарым кезінде алмалы-салмалы аспап оларға ілінуі мүмкін.
- ▶ **Қайтарым кезінде электр құралдың жылжитын аймаққа түсуін болдырмаңыз.** Қайтарым электр құралды бұғатталу орнынан алмалы-салмалы аспаптың айналуына қарама-қарсы бағытта жылжытады.
- ▶ **Бұрыштарды, үшкір жиектерді және т.б. өңдеу кезінде өте мұқият болыңыз.** Электр құралдардың ыршып кетуін және өңделетін бөлшектерде сыналануын болдырмаңыз. Айналанын алмалы-салмалы аспап бұрыштарды, үшкір жиектерді өңдеу кезінде немесе ыршып кеткенде сыналануы мүмкін. Бұл аспапты басқаруды жоғалтудың немесе қайтарымның пайда болуының себебі болады.
- ▶ **Саңылауларының ені 10 мм шамасынан асатын шынжырлы немесе тісті араларды, сондай-ақ сегменттелген алмас дискілерін қолданбаңыз.** Мұндай алмалы-салмалы аспаптарды қолдану жиі қайтарымды тудырады немесе электр құралды басқаруды жоғалтуға әкеледі.

Ажарлау және дерекі ажарлау кезіндегі қауіпсіздік техникасы бойынша қосымша нұсқаулар:

- ▶ **Тек пайдалануға рұқсат етілген абразивті аспаптарды және оларға сай қорғауыш қаптамаларды қолданыңыз.** Бұл электр құралға арналмаған абразивті дискілер жеткілікті дәрежеде экрандалмайды және тұрақсыз жұмыс істейді.
- ▶ **Қисық ажарлағыш дискілерді, ажарлау аймақтары қорғауыш қаптама шетінен шықпайтындай етіп орнату керек.** Қате орнатылған ажарлағыш диск қорғауыш қаптама шетінен шығып тұрса жетерлік ретте қапталмайды.
- ▶ **Қорғауыш қаптаманы электр құралға берік орнату керек және ешбір ең майда абразивті бөлшек операторға тимейтіндей ең жоғары қорғау дәрежесіне реттелуі керек.** Қорғауыш қаптама операторды сынықтардан, киімді тұтандыруы мүмкін ұшқындар сияқты ажарлау нысандарына кездейсоқ тиюден қорғауға көмектеседі.



- ▶ **Абразивті аспаптарды тек рұқсат етілген мақсатына сай қолдану керек. Мысалы: ажарлауды кескіш дискінің бүйірлік бетімен орындауға тыйым салынады.** Кесу дискілері материалды диск жиегімен алуға арналған. Дискіге бүйірінен жасалатын әсер оның бұзылуының себебіне айналуы мүмкін.
- ▶ **Ажарлағыш дискіні орнату үшін әрқашан зақымдалмаған, өлшемі мен пішіні дұрыс қыспа фланецті қолданыңыз.** Пішіні мен өлшемі жарайтын фланецтер ажарлағыш дискіні бекітеді және оның сыну қаупінің дәрежесін азайтады. Кесу дискілерінің қыспа фланецтері басқа ажарлағыш дискілердің қыспа фланецтерінен ерекшеленуі мүмкін.
- ▶ **Өлшемі үлкенірек электр құралдардың тозған ажарлағыш дискілерді қолданбаңыз.** Өлшемі үлкенірек электр құралдар үшін жасалған ажарлағыш дискілер шағын өлшемді электр құралдардың жоғары айналу жиілігіне арналмаған және осы себепті бұзылуы мүмкін.
- ▶ **Екі рет пайдалануға болатын абразивті аспаптарды қолданған кезде әрдайым тиісті қолдану мақсатына арналған қорғауыш қаптаманы пайдаланыңыз.** Жарамсыз қорғауыш қаптаманы пайдалансаңыз, қорғаныс жеткіліксіз болып, ауыр жарақат алуыңыз мүмкін.

Дискімен кесу кезіндегі қауіпсіздік техникасы бойынша қосымша нұсқаулар:

- ▶ **Кесу дискісінің бұғатталуын немесе тым қатты басу қысымын болдырмаңыз. Тым қатты кесулерді орындамаңыз.** Кесу дискісіне шамадан тыс жүктеме түсуі оның тозуын және қисаю немесе бұғатталу мүмкіндігін, сонымен бірге қайтарымның пайда болу немесе оның бұзылу мүмкіндігін арттырады.
- ▶ **Айналып жатқан кесу дискісінің аймағында және оның артында тұрмаңыз.** Өңдеп жатқан бөлшектегі кесу дискісі өзіңізден ары бағытта ауытқығанда электр құрал қайтарым пайда болғанда тұра сізге ыршып түсуі мүмкін.
- ▶ **Кесу дискісі сыналған немесе жұмысты тоқтатқан жағдайда аспапты өшіріңіз және диск толық тоқтағанын күтіңіз.** Әлі айналып жатқан дискіні кесу жерінен шығарып алуға ешқашан әрекет жасамаңыз – қайтарым болуы мүмкін. Сыналану себебін анықтаңыз және кетіріңіз.
- ▶ **Әлі өңдеп жатқан бөлшекте болса, аспапты қайтадан қоспаңыз. Жұмысты жалғастыру алдында аспап жұмыс айналу жиілігіне дейін тездегенше күтіңіз.** Әйтпесе диск сыналанып, өңдеп жатқан бөлшектен ыршып кетуі немесе қайтарымның пайда болуы мүмкін.
- ▶ **Кесу дискісі сыналған жағдайда қауіп дәрежесін азайту үшін үлкен өлшемді тақталарды немесе бөлшектерді тіреңіз.** Үлкен өңделетін бөлшектер өз салмағының әсерінен иілуі мүмкін. Өңделетін бөлшекті екі жағынан кесуді орындау орнының жанында, сондай-ақ, бөлшек жиегінің бойында тіреу керек.
- ▶ **Жасырын салада, мысалы, дайын қабырғада, «батырып» кесуді орындағанда әсіресе сақ болыңыз.** Газ және су құбырларын, электр сымдарын немесе басқа заттарды кесу кезінде кесу дискісін салғанда, қайтарым пайда болуы мүмкін.
- ▶ **Қысқа пішінмен кесуге әрекеттенбеңіз.** Кескіш дөңгелекке шамадан тыс жүктеме түсуі оның тозуын және қисаю немесе бұғатталу мүмкіндігін, сонымен бірге қайтарымның пайда болу немесе оның бұзылу мүмкіндігін арттырады және ауыр жарақат алуға әкелуі мүмкін.

Зімпара дискілерімен ажарлау кезіндегі қауіпсіздік техникасы бойынша арнайы нұсқаулар:

- ▶ **Тек жарамды өлшемді ажарлағыш дөңгелектерді қолданыңыз. Ажарлағыш дөңгелек өлшемі бойынша өндіруші мәліметтерін ұстаныңыз.** Ажарлағыш тостағанның шеңберінен тым қатты шығатын ажарлағыш дөңгелектер жарақат алуға әкелуі және бұғатталуға, ажарлағыш дөңгелектің жарылуына немесе кері соққыға әкелуі мүмкін.

Жылтырлату кезіндегі қауіпсіздік техникасы туралы арнайы нұсқаулар:

- ▶ **Жылтырлату қаптамасының бос бөлшектеріне, әсіресе бекіту бауларына жол бермеңіз. Бекіту бауларын ораңыз немесе қысқартыңыз.** Босаған, салбыраған бекіту баулары саусақтарыңызды қысып не бұйым ішінде шатастыр қалуы мүмкін.

Сым қылшақтармен жұмыс кезіндегі қауіпсіздік техникасы бойынша арнайы нұсқаулар:

- ▶ **Сым қылшақтар сым бөліктерін кәдімгі қолдану кезінде де жоғалтатынын ескеріңіз. Оларға тым қатты басу қысымын қолданбаңыз.** Ұшып кететін сым бөліктері киімнің жұқа матасы арқылы оңай өтуі және/немесе теріге енуі мүмкін.
- ▶ **Қорғауыш қаптаманы қолдануға кеңес берілсе, оның сым қылшаққа тиюіне жол бермеңіз.** Төрелке және шыныаяқ тәрізді қылшақтар басу және ортасынан тепкіш күш әсерінен диаметрін үлкейтуі мүмкін.

2.3 Қауіпсіздік техникасы бойынша қосымша ережелер

Адамдардың қауіпсіздігі

- ▶ Өнімді және керек-жарақтарды тек техникалық мінсіз күйінде қолданыңыз.
- ▶ Өнімде немесе керек-жарақтарда ешқандай манипуляциялар не өзгерістер орындамаңыз.



- ▶ Өнімді әрқашан екі қолмен тұтқыштарынан берік ұстаңыз. Майланған тұтқыштарды дереу тазалаңыз, олар құрғақ және таза болуы керек.
- ▶ Егер өнім шаңсорғыш құралдарынсыз қолданылса, шаң пайда болатын жұмыстарда дем алу органдарын қорғау құралдарын қолданыңыз.
- ▶ Саусақтың қан айналымын жақсарту үшін жиі үзіліс жасап, жаттығу жасаңыз. Ұзақ уақыт жұмыс істеген кезде, қатты дірілдердің салдарынан саусақ, қол не буындардың қан тамыры не жүйкесіне теріс әсер тиюі мүмкін.
- ▶ Аспаптың айналатын бөлшектеріне тиімеңіз. Өнімді тек жұмыс аймағына әкелгеннен кейін ғана қосыңыз. Айналатын түйіндерге, әсіресе айналатын қондырмаларға тию жарақаттарға әкелуі мүмкін.
- ▶ Өнімді алып тастау алдында оның толығымен тоқтатылған күйге орнатылғанына дейін күтіңіз.
- ▶ Өнімді әлсіз адамдарға нұсқаусыз пайдалануға тыйым салынады. Өнімді балалардың қолы жетпейтін жерде сақтаңыз.
- ▶ Ажарлау, егеуқұм қағазымен тазалау, кесу және бұрғылау кезінде пайда болатын шаңның құрамында қауіпті химиялық заттар болуы мүмкін. Мысалдары келесідей: қорғасын немесе қорғасын негізіндегі бояулар; плитка, бетон және басқа кірпіш қалау өнімдері, табиғи тас және басқа силикаттық өнімдер; өмен, шамшат және химиялық затпен өңделген сүрек сияқты белгілі бір сүрек түрлері; асбест немесе құрамында асбест бар материалдар. Пайдаланушы мен оның айналасындағы адамдарға әсер ету дәрежесін өңдеу орындалатын материалдардың қауіп класы бойынша анықтаңыз. Әсерді қауіпсіз деңгейде сақтау үшін шаң жинайтын жүйелерді пайдалану немесе арнайы тыныс алу органдарының қорғанысын киіп жүру сияқты қажетті шараларды қолданыңыз. Әсер ету дәрежесін азайту бойынша жалпы шараларға төмендегілер жатады:
 - ▶ Жақсы желдетілген аймақта жұмыс істеу,
 - ▶ Шаңның ұзақ уақыт бойы тиюіне жол бермеу,
 - ▶ Шанды көз бен денеден алыстату,
 - ▶ Қорғаныс киімін киіп жүру және әсер етілген жерлерді сумен және сабынмен жуу.
- ▶ Пайдаланушы мен оның айналасындағы адамдар өнімді пайдалану барысында көз қорғанысын, қорғауыш шлем мен құлақ қорғанысын пайдалануы тиіс.
- ▶ Құралды алмастырған кезде қорғауыш қолғап киіңіз. Алмалы-салмалы аспапқа тию кесіктерге және күйіктерге апарып соғуы мүмкін.
- ▶ Құлап қалған құралдардан және/немесе керек-жарақтардан жарақат алу қаупі бар. Жұмысты бастамас бұрын аккумулятор мен қондырылған керек-жарақтың берік бекітілгеніне көз жеткізіңіз.
- ▶ Желдету саңылауларын әрдайым бос ұстаңыз. Үсті жабылған желдету саңылауларынан өрт қаупі туындайды!
- ▶ Өнімді жұмыс күйіне орнатылғаннан кейін ғана қосыңыз.
- ▶ Өнімді алып тастау алдында оның толығымен тоқтатылған күйге орнатылғанына дейін күтіңіз.
- ▶ Егер өнім тұрақты жұмыс шегінен асырса немесе заряды бос аккумулятор анықталса, құрал қозғалтқыш арқылы емес тоқтатылуы мүмкін.
- ▶ Бұл өнімге ешқандай бөлік ілгектерін бекітпеңіз.

Электр құралдарымен дұрыс жұмыс істеу және дұрыс пайдалану

- ▶ Тегістеу дөңгелектерін өндірушінің нұсқауларына сай сақтаңыз және қолданыңыз.
- ▶ Өнімді қорғауыш қаптамасыз қолдануға тыйым салынады.
- ▶ Өңделетін бөлшекті берік бекітіңіз. Дайындаманы бекіту үшін струбуциналарды немесе қысқышты қолданыңыз. Бұл оны қолмен ұстап тұрудан сенімдірек және бұл кезде өнімді екі қолмен ұстауға болады.
- ▶ Абразивті кесу дискілерін сиырып ажарлау үшін қолдануға тыйым салынады.
- ▶ Алмалы-салмалы аспап пен фланецті берік бекемдеңіз. Егер алмалы-салмалы аспап немесе фланец жеткіліксіз берік бекітілген болса, өшіргеннен кейін алмалы-салмалы аспаптың төжеу кезінде шпиндельден шығып кету ықтималдығы болады.

Электр қауіпсіздігі

- ▶ Жұмысты бастамас бұрын жұмыс аймағында жасырын сымдардың, газ бен су құбырларының бар-жоғын тексеріп шығыңыз. Қуыт сымына, газ немесе су құбырына зақым келтірген жағдайда, өнімнің сыртындағы металл бөліктер ток соғуға немесе жарылысқа әкелуі мүмкін.
- ▶ Ток өткізетін материалдарды жиі өңдеген кезде кір өнімдерді **Hilti** қызмет көрсету орталығына жүйелі түрде тексертіңіз. Қолайсыз жағдайларда аспап бетінде жиналатын ылғал мен шаң (әсіресе тек өткізгіш материалдардан) электр тогының соғуын тудыруы мүмкін.

Жұмыс орны

- ▶ Тесіп өтетін бұрғылау кезінде қауіпті аймақты қабырғаның қарама-қарсы жағынан қоршаңыз. Сыртқа шығатын немесе төмен түсетін сынықтар жарақаттауы мүмкін.



- ▶ Тірек қабырғаларында және басқа құрылыстарда тесіктерді жасау олардың беріктігін өзгертеді, әсіресе арматураны немесе ұстап тұратын құрылыстарды кескенде. Жұмысты бастау алдында инженер-құрылысшыдан немесе басқа жауапты тұлғадан кеңес алыңыз.

Қорғауыш қаптамаларды пайдалану бойынша қосымша нұсқаулар

Төмендегі тәуекелдердің алдын алу үшін әрдайым дұрыс қорғауыш қаптаманы пайдаланыңыз, мына бөлімді қараңыз: «Қолданылған жабдық үшін дискілердің тағайындалуы».

- ▶ Қаптамаларды ажарлауға арналған алдыңғы қақпағы бар стандартты қорғауыш қаптама пайдаланылған кезде, қорғауыш қаптама дайындамаға тиіп, бақылау мүмкіндігінен айырылуға әкелуі мүмкін.
- ▶ Қалыңдығы максималды рұқсат етілген қалыңдықтан асатын сым қылшақ пайдаланылған кезде, сымдар қорғауыш қаптамада ұсталып, сынуы мүмкін.
- ▶ Абразивті кескіш дискілермен металды абразивті кесуге арналған стандартты қорғауыш қаптама пайдаланылған кезде, ұшқын және бөліктердің пайда болу және диск сынған жағдайда дискінің шашырау қаупі аса жоғары болады.
- ▶ Бетон немесе кірпіш қалауды кесуге және ажарлауға арналған алдыңғы қаптамасы бар немесе жоқ стандартты қорғауыш қаптама пайдаланылған кезде, шаң жүктеніп аса жоғары болады және өнімді бақылау мүмкіндігінен айырылудың аса жоғары қаупі туындайды. Бұл кері соққыны тудыруы мүмкін.

2.4 Аккумулятормен дұрыс жұмыс істеу және оны дұрыс пайдалану

- ▶ **Литий-иондық аккумуляторларды пайдалану және күту бойынша төмендегі қауіпсіздік шараларын орындаңыз.** Нұсқауларды орындамау тері тітіркенуіне, ауыр тот басқыш жарақаттарға, химиялық күйіктерге, өртенуге және/немесе жарылысқа апарып соғуы мүмкін.
- ▶ Аккумуляторларды тек техникалық мінсіз күйінде қолданыңыз.
- ▶ Зақымдалуды болдырмау және денсаулыққа қатты зиян келтіре алатын сұйықтықтардың шығуына жол бермеу үшін аккумуляторларды абайлап қолданыңыз!
- ▶ Аккумуляторларды ешбір жағдайда модификациялауға немесе құрылымына өзгеріс енгізуге болмайды!
- ▶ Аккумуляторларды бөлшектеуге, қысуға, 80°C (176°F) шамасынан жоғары температураға дейін қыздыруға және жағуға тыйым салынады.
- ▶ Соққы тиген немесе басқаша зақымдалған аккумуляторларды пайдаланбаңыз немесе зарядтамаңыз. Аккумуляторларда зақымдалу белгілерінің бар-жоғын жүйелі түрде тексеріп тұрыңыз.
- ▶ Еш жағдайда қайта өңделген немесе жөнделген аккумуляторларды пайдаланбаңыз.
- ▶ Ешқашан аккумуляторды немесе аккумуляторлық электр құралын соқпа құрал ретінде пайдаланбаңыз.
- ▶ Аккумуляторларға ешқашан тікелей күн сәулесі, жоғары температура, ұшқын немесе ашық жалын әсерін тигізбеңіз. Бұл жарылысқа апарып соғуы мүмкін.
- ▶ Батарея полюсіне саусақпен, құралдармен, өшекеймен немесе басқа да электр тогын өткізетін бөгде заттармен тиімеңіз. Бұл аккумуляторға зақым келтіруі, сондай-ақ мүлікке залал келтіруі және жарақат алуға әкелуі мүмкін.
- ▶ Аккумуляторларды жаңбыр, ылғал мен сұйықтықтарда алшақ ұстаңыз. Еніп кеткен ылғал қысқа тұйықталу, ток соғу, күйіп қалу, өртену және жарылыс қаупін тудыруы мүмкін.
- ▶ Тек осы аккумулятор түрі үшін көзделген зарядтағыш құрылғылар мен электр құралдарын пайдаланыңыз. Бұл ретте тиісті пайдалану бойынша нұсқаулықтардағы мәліметтерге назар аударыңыз.
- ▶ Аккумуляторды жарылғыш орталарда пайдаланбаңыз немесе сақтамаңыз.
- ▶ Егер тиген кезде аккумулятор тым ыстық болса, ол ақаулы болуы мүмкін. Аккумуляторды тұтанғыш материалдардан жеткілікті қашықтықта орналасқан, жақсы көрінетін, тұтанбайтын жерге қойыңыз. Аккумуляторды суытыңыз. Аккумулятор бір сағаттан кейін әлі де жоғла ыстық болып тұрса, бұл оның ақаулы екендігін білдіреді. **Hilti** қызмет көрсету орталығына жолығыңыз немесе «Қауіпсіздік және **Hilti** Li-Ion аккумуляторын пайдалану бойынша нұсқаулар» атты құжатты оқып шығыңыз.

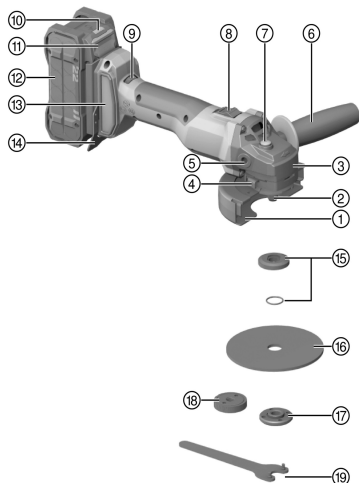


Литий-иондық аккумуляторларды тасымалдау, сақтау және пайдалану үшін қолданылатын арнайы директиваларды ескеріңіз. → Бет 220

Аталмыш пайдалану бойынша нұсқаулықтың соңындағы QR кодын сканерлеу арқылы табуға болатын **Hilti** Li-Ion аккумуляторларына арналған қауіпсіздік және пайдалану бойынша нұсқауларды оқып шығыңыз.



3.1 Өнімге шолу



- ① Стандартты қоғауыш қаптама
- ② Шпиндель
- ③ Айналу бағытының көрсеткіші
- ④ Қаптаманы бекіту түймесі
- ⑤ Тұтқышқа арналған бұрандалы төлке
- ⑥ Бүйірлік тұтқыш
- ⑦ Шпиндельді бұғаттау түймесі
- ⑧ Қосқыш/ажыратқыш
- ⑨ Жылдамдық реттегіші
- ⑩ Аккумулятордың күй индикаторы
- ⑪ Аккумуляторды босату түймесі
- ⑫ Аккумулятор
- ⑬ Шаң сүзгісі
- ⑭ Ұшқыннан қорғайтын қалқанша
- ⑮ Дөңгелек қималы сақинасы бар қыспа фланец
- ⑯ Кесіп ажарлау дискісі/дөрекі ажарлау дискісі
- ⑰ Қыспа гайка
- ⑱ **Kwik lock** жылдам қыспа гайкасы (қосымша)
- ⑲ Кілт

3.2 Мақсатына сай қолдану

Сипатталған өнім қолмен басқарылатын аккумуляторлық бұрыштық ажарлау машинасы болып табылады. Ол металл мен минералды материалдарды дөрекі кесу және сиыра ажарлау, қылшақпен тазарту, егеуқұм қағазымен ажарлау жұмыстарын су пайдаланбай орындауға арналған. Оны тек құрғақ ажарлау/кесу үшін қолдануға болады.

- Бұл өнім үшін тек В 22 сериялы **Hilti Nuron Li-Ion** аккумуляторларын пайдаланыңыз. **Hilti** компаниясы бұл өнім үшін оңтайлы қуатқа қол жеткізу мақсатында осы пайдалану бойынша нұсқаулықтың соңындағы кестеде көрсетілген аккумуляторларды пайдалануға кеңес береді.
- Бұл аккумуляторлар үшін тек осы пайдалану бойынша нұсқаулықтың соңындағы кестеде белгіленген серияларға жататын **Hilti** зарядтағыш құрылғыларын қолданыңыз.

3.3 Жеткізілім жинағы

Бұрыштық ажарлау машинасы, бүйірлік тұтқыш, стандартты қорғауыш қаптама, алдыңғы қақпақ, қыспа фланец, қыспа гайка, қыспа гайка кілті, шаң сүзгісі, пайдалану бойынша нұсқаулық.

Оған қоса өніміңіз үшін рұқсат етілген жүйелік өнімдерді **Hilti Store** дүкенінде немесе мына веб-сайттан табуға болады: www.hilti.group

3.4 АТС

Өнім электрондық апаттық тоқтату құралымен АТС (Active Torque Control) жабдықталған.

Егер алмалы-салмалы аспап бұғатталса немесе қысылып қалса, өнім кенеттен кері бағытпен бақылаусыз айнала бастайды. АТС өнімнің мұндай кенет айналу қозғалысын анықтап, өнімді бірден тоқтатады.



Өнім қалыпты жұмыс істеуі үшін айналу мүмкіндігін сақтауы тиіс.
Жылдам өшіру орындалған соң, өнімді өшіріп қайта қосыңыз.

3.5 Қозғалтқышты қорғау функциясы

Қозғалтқышты қорғау функциясы қуат тұтынуымен және қозғалтқыштың қызуын бақылайды және өнімді қызып кетуден қорғайды.



Тым жоғары басу қысымының салдарынан қозғалтқышқа шамадан тыс жүктеме түскенде, қуат айтарлықтай төмендейді, осының нәтижесінде өнім тоқтап қалуы мүмкін.

i Шамадан тыс жүктемеден аспап тұрып қалған не айналу жылдамдығы азайған жағдайда өнімге түсетін жүктемені азайту және оны шамамен 30 секунд ішінде бос жүріспен жұмыс істету керек.

3.6 Кірістірілген тежегіш

Кірістірілген тежегіш арқылы алмалы-салмалы аспаптың тоқтауына дейінгі жүріс уақыты азайтылады.

i Аталмыш функция өнім қуат көзіне қосылғанда ғана қызмет атқарады. Таңдалған алмалы-салмалы аспапқа байланысты тежеу уақыты әртүрлі болады.

3.7 Алдыңғы қақпақ

Стандартты қорғауыш қаптамасы бар алдыңғы қақпақты астында орындалатын жұмыстар үшін қолданыңыз:

- Тік дәрекі ажарлау дискілерімен дәрекі ажарлау
- Абразивті кесу дискілерімен абразивті кесу

3.8 Шаңды кетіруге арналған қаптама (кесу) DC-EX 125/5" С ықшам қалпағы (керек-жарақ)

Минералды беттерді алмасты кескіш дискілермен абразивті кесу үшін DC-EX 125/5" С ықшам қалпағын пайдалану керек.

Бұл қаптаманы қолданып металды өңдеуге тыйым салынған.

3.9 DC-EX 125/5"М шаңды кетіруге арналған қаптамасы (кесу) (керек-жарақ)

Минералды беттерде алмасты кескіш дискілермен дәрекі ажарлау және кесу жұмыстарын тек шаңды кетіруге арналған қаптамамен бірге орындауға рұқсат етіледі.

САҚ БОЛЫҢЫЗ Бұл қаптаманы қолданып металды өңдеуге тыйым салынған.

3.10 Шаңды кетіруге арналған қаптама (ажарлау) DG-EX 125/5" (керек-жарақ)

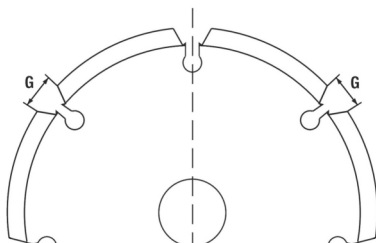
Кесу жүйесі алмас тостағанды ажарлау дискілерінің көмегімен минералдық материалдарды ажарлауға ғана арналған.

Бұл қаптаманы қолданып металды өңдеуге тыйым салынған.

3.11 Жарамды алмас ойық кескіш дискілердің геометриясы

Алмас ойық кескіш дискілер төмендегі геометриялық нормаларға сай келуі тиіс.

Техникалық сипаттамалар	
Сегменттер арасындағы қуыс ені (G)	≤ 10 мм
Кесу бұрышы	теріс



3.12 Li-Ion аккумуляторының индикаторлары

Hilti Nuron Li-Ion аккумуляторлары аккумуляторлардың заряд деңгейін, ақаулық туралы хабарларын және күйін көрсете алады.



3.12.1 Заряд деңгейінің және ақаулық туралы хабарлардың индикаторлары



ЕСКЕРТУ

Жарақат алу қаупі аккумулятордың құлауынан!

- ▶ Аккумулятор енгізілген кезде, құлыптан босату түймесін басқаннан кейін аккумулятордың пайдаланылатын өнімге тиісінше бекітілгеніне көз жеткізіңіз.

Төмендегі индикация көрсеткіштерінің біріне қол жеткізу үшін аккумулятордың құлыптан босату түймесін қысқаша басыңыз.

Заряд деңгейі және ықтимал ақаулықтар жалғанған өнім қосылып тұрған кезде үздіксіз көрсетіледі.

Құралдың бөлшектері	Сипаттамасы
Төрт (4) жарық диоды жасыл түспен тұрақты жанып тұр	Заряд деңгейі: 100% және 71% аралығында
Үш (3) жарық диоды жасыл түспен тұрақты жанып тұр	Заряд деңгейі: 70% және 51% аралығында
Екі (2) жарық диоды жасыл түспен тұрақты жанып тұр	Заряд деңгейі: 50% және 26% аралығында
Бір (1) жарық диоды жасыл түспен тұрақты жанып тұр	Заряд деңгейі: 25% және 10% аралығында
Бір (1) жарық диоды жасыл түспен баяу жыпылықтайды	Зарядтау күйі: < 10%
Бір (1) жарық диоды жасыл түспен жылдам жыпылықтайды	Li-Ion аккумуляторының заряды толықтай таусылды. Аккумуляторды зарядтаңыз. Жарық диоды аккумуляторды зарядтағаннан кейін сонда да жылдам жыпылықтаса, Hilti қызмет көрсету орталығына хабарласыңыз.
Бір (1) жарық диоды сары түспен жылдам жыпылықтайды	Li-Ion аккумуляторы немесе оған байланысты өнімге артық жүктеме түсті, қатты қызып кетті немесе басқа ақаулық орын алды. Өнім мен аккумуляторды ұсынылған жұмыс температурасына жеткізіңіз және өнімді пайдаланған кезде оған артық жүктеме түсірмеңіз. Хабар көрсетіле берсе, Hilti қызмет көрсету орталығына хабарласыңыз.
Бір (1) жарық диоды сары түспен жанып тұр	Li-Ion аккумуляторы және оған қосылған өнім үйлесімді емес. Hilti қызмет көрсету орталығына хабарласыңыз.
Бір (1) жарық диоды қызыл түспен жылдам жыпылықтайды	Li-Ion аккумуляторы құлыптаулы және оны бұдан былай пайдалану мүмкін емес. Hilti қызмет көрсету орталығына хабарласыңыз.

3.12.2 Аккумулятор күйін көрсететін индикаторлар

Аккумулятордың күйін шақыру үшін құлыптан босату түймесін үш секундтан артық басып тұрыңыз. Жүйе құлату, тесу, сыртқы жылудан зақым келтіру және т.с.с. қате қолданудан туындаған батареяның ақаулығын анықтамайды.

Құралдың бөлшектері	Сипаттамасы
Барлық жарық диодтары жұмыс шамы ретінде жанады, содан кейін бір (1) жарық диоды жасыл түспен тұрақты жанады.	Аккумуляторды ары қарай пайдалануға болады.
Барлық жарық диодтары жұмыс шамы ретінде жанады, содан кейін бір (1) жарық диоды сары түспен жылдам жыпылықтайды.	Аккумулятор күйі туралы сұрауды орындау мүмкін болмады. Әрекетті қайталаңыз немесе Hilti қызмет көрсету орталығына жолығыңыз.



Құралдың бөлшектері	Сипаттамасы
Барлық жарық диодтары жұмыс шамы ретінде жанады, содан кейін бір (1) жарық диоды қызыл түспен тұрақты жанады.	Жалғанған өнімді ары қарай пайдалану мүмкін болса, бұл қалған аккумулятор қуатының 50% шамасынан төмен болғанын білдіреді. Жалғанған өнімді ары қарай пайдалану мүмкін болмаса, бұл аккумулятордың қызмет ету мерзімі аяқталғанын және оны алмастыру керек екендігін білдіреді. Hilti қызмет көрсету орталығына хабарласыңыз.

4 Пайдаланылатын материал

Кем дегенде 11000 айн/мин айналу жиілігі және 80 м/сек. айналу жылдамдығы үшін рұқсат етілген, макс. Ø 125 мм жасанды шайырмен жалғанған, фибринмен нығайтылған дискілер ғана қолданылуы тиіс.

НАЗАР АУДАРЫҢЫЗ! Кесіп тегістеу дискілерімен кесу және штробтар жүргізу кезінде, әрдайым қосымша алдыңғы қақпағы бар стандартты қорғауыш қаптаманы немесе толығымен жабылған шаңды кетіруге арналған қаптаманы қолданыңыз.

Дискілер

Түрі	Пайдалану саласы	Қысқаша белгіленуі	Негіз	Макс. қалыңдығы	Макс. диаметрі
Абразивті кескіш диск	Абразивті кесу, штробтар жүргізу	AC-D	металды	2,5 мм	125 мм
Алмасты абразивті кескіш диск	Абразивті кесу, штробтар жүргізу	DC-TP, DC-D (SPX, SP, P)	минералды	3 мм	125 мм
Абразивті дәрекі ажарлау дискісі	Сиыра/аршыта ажарлау	AG-D, AF-D, AN-D	металды	6,4 мм	125 мм
Алмасты дәрекі ажарлау дискісі	Сиыра/аршыта ажарлау	DG-CW (SPX, SP, P)	минералды	—	125 мм
Сым қылшақ	Сым қылшақтар	3CS, 4CS, 3SS, 4SS	металды	— 27 мм	75 мм 125 мм
Алмасты бұрғылау коронкасы	Керамикалық плиткаларды бұрғылау	DD-M14	минералды	—	125 мм
Фибра шайбасы	Сиыра/аршыта ажарлау	AP-D	металды	—	125 мм

Қолданылған жабдық үшін дискілердің тағайындалуы

Нөмірі	Жабдық	AC-D	AP-D	AG-D, AF-D, AN-D	DG-CW (SPX, SP, P)	DC-TP, DC-D (SPX, SP, P)	3CS, 4CS, 3SS, 4SS, DD-M14
A	Қорғауыш қаптама (стандартты)	✓	✓	✓	✓	✓	✓
B	Алдыңғы қаптама (А-мен байланыста)	✓	—	—	—	✓	—
C	Шаңды кетіруге арналған қаптама (ажарлау) DG-EX 125/5"	—	—	—	✓	—	—
D	Шаңды кетіруге арналған қаптама (кесу) DC-EX 125/5"C (А-мен байланыста)	—	—	—	—	✓	—



Нөмірі	Жабдық	AC-D	AP-D	AG-D, AF-D, AN-D	DG-CW (SPX, SP, P)	DC-TP, DC-D (SPX, SP, P)	3CS, 4CS, 3SS, 4SS, DD-M14
E	Шаңды кетіруге арналған қаптама (штробтар жүргізу) DC-EX 125/5"М	—	—	—	—	✓	—
F	DC-EX SL адаптері (E-мен байланыста)	—	—	—	—	✓	—
G	Бүйірлік тұтқыш (стандартты)	✓	✓	✓	✓	✓	✓
H	Қыспа гайка (стандартты)	✓	—	✓	✓	✓	—
I	Қыспа фланец (стандартты)	✓	—	✓	✓	✓	—
J	Kwik lock (H үшін қосымша)	✓	—	✓	—	✓	—
K	Қыспа гайка (фибра шайбасы)	—	✓	—	—	—	—
L	Тіреуіш диск (фибра шайбасы)	—	✓	—	—	—	—

5 Техникалық сипаттамалар

AG 4S-22-125	
Номиналды кернеу	21,6 В
Номиналды айналу жиілігі	8500 А/мин
Максималды диск диаметрі	125 мм
ЕРТА 01 процедурасы бойынша салмағы, аккумуляторсыз	2,1 кг
Шпindelьдің ирек оймасы	M14
Шпindelьдің ұзындығы	22 мм
Жұмыс кезіндегі қоршаған орта температурасы	-17 °C ... 60 °C (1 °F ... 140 °F)
Сақтау температурасы	-20 °C ... 70 °C (-4 °F ... 158 °F)

5.1 Аккумулятор

Аккумулятордың жұмыс кернеуі	21,6 В
Аккумулятор салмағы	Осы пайдалану бойынша нұсқаулықтың соңында қараңыз
Жұмыс кезіндегі қоршаған орта температурасы	-17 °C ... 60 °C (1 °F ... 140 °F)
Сақтау температурасы	-20 °C ... 40 °C (-4 °F ... 104 °F)
Зарядтаудың басындағы аккумулятор температурасы	-10 °C ... 45 °C (14 °F ... 113 °F)



5.2 62841-2-3:2021 стандарты бойынша шуыл туралы ақпарат және діріл мәні

Осы нұсқауларда көрсетілген дыбыс қысымы мен діріл деңгейі стандартты өлшеу әдісімен өлшенген және оны басқа электр құралдарымен салыстыру үшін пайдалануға болады. Сонымен бірге, ол экспозицияны алдын ала бағалау үшін жарайды.

Берілген деректер электр құралының негізгі жұмысын көрсетеді. Алайда, егер электр құралы басқа мақсаттарда, басқа жұмыс аспаптарымен қолданылса немесе оған қанағаттандырмайтын техникалық қызмет көрсетілсе, деректер өзгеше болуы мүмкін. Осының салдарынан аспаптың бүкіл жұмыс істеу кезеңінде экспозиция айтарлықтай артуы мүмкін.

Экспозицияны дәл анықтау үшін электр құралы сөндірілген күй немесе бос жұмыс істейтін уақыт аралықтарын да ескеру керек. Осының салдарынан аспаптың бүкіл жұмыс істеу кезеңінде экспозиция айтарлықтай азаюы мүмкін.

Пайдаланушыны пайда болатын шуылдан және/немесе дірілден қорғау үшін қосымша сақтық шараларын қолданыңыз, мысалы: электр аспабына және жұмыс аспаптарына техникалық қызмет көрсету, қолдардың жылуын сақтау, жұмыс процестерін дұрыс ұйымдастыру.

Үстіңгі беті үлкен болатын жұқа табақтарды немесе жеңіл дірілдейтін құрылымдарды ажарлау әрекеті берілген шуыл эмиссиясының көрсеткіштерінен асатын жоғары шуыл эмиссиясын тудыруы мүмкін. Арнайы шаралар (мысалы, ауыр, иілгіш оқшаулағыш төсеніштерді орнату) өткізу арқылы пайда болатын шуыл эмиссиясын азайтуға болады. Шуыл шығу қаупін бағалау және есту мүшелерінің жарамды қорғанысын таңдау кезінде осы асқын мәндерді әрдайым ескеріңіз.

Шуыл туралы ақпарат

	AG 4S-22-125
Эмиссиялық дыбыс қысымының деңгейі (L_{pA})	89 дБ(A)
Дәлсіздік, дыбыс қысымының деңгейі (K_{pA})	3 дБ(A)
Дыбыс күшінің деңгейі (L_{WA})	97 дБ(A)
Дыбыс күшінің деңгейі бойынша дәлсіздік (K_{WA})	3 дБ(A)

Діріл туралы ақпарат

Көрсетілген мәндерді ескеру керек және оларды өзге діріл мәндеріне алып келуі мүмкін.

		AG 4S-22-125
Жоғарғы бетті тегістеу ($a_{h,AG}$)	B 22-55	5,1 м/с ²
	B 22-255	5,4 м/с ²
Дәлсіздік (K)		1,5 м/с ²

6 Жұмысқа дайындық

ЕСКЕРТУ

Жарақат алу қаупі абайсыздан қосылу себебінен!

- ▶ Аккумуляторды орнату алдында оған қатысты өнімнің өшірілгеніне көз жеткізіңіз.
- ▶ Аспап реттеулерін орындау немесе қосалқы бөлшектерді алмастыру алдында аккумуляторды шығарыңыз.

Осы құжаттамадағы және өнімдегі қауіпсіздік және ескерту нұсқауларын орындаңыз.

6.1 Аккумуляторды зарядтау

1. Зарядтау алдында зарядтағыш құрылғының пайдалану бойынша нұсқаулығын оқып шығыңыз.
2. Аккумулятордағы және зарядтағыш құрылғыдағы контактілердің таза әрі құрғақ екендігіне көз жеткізіңіз.
3. Аккумуляторды рұқсат етілген зарядтағыш құрылғы ішінде зарядтаңыз. → Бет 210



6.2 Аккумуляторды орнату

ЕСКЕРТУ

Жарақат алу қаупі қысқа тұйықталудан немесе аккумулятордың құлауынан!

- ▶ Аккумуляторды орнату алдында аккумулятор контактілерінде және өнімдегі контактілерде бөгде заттардың жоқтығына көз жеткізіңіз.
- ▶ Аккумулятордың әркез дұрыс орнатылғанына көз жеткізіңіз.

1. Аккумуляторды алғаш рет іске қоспас бұрын зарядтаңыз.
2. Аккумуляторды өнімге шерту дыбысымен тірелгенше кіргізіңіз.
3. Аккумулятордың аспапқа берік бекітілгенін тексеріңіз.

6.3 Аккумуляторды шығару

1. Аккумулятордың құлыптан босату түймесін басыңыз.
2. Аккумуляторды өнімнен шығарыңыз.

6.4 Hilti құлаудан қорғанысын орнату (қосымша)

Биік жерде жұмыс істеу бойынша ұлттық директиваларды өніммен жұмыс істеген кезде міндетті түрде ұстаныңыз.
Құлаудан қорғаныстың пайдалану бойынша нұсқаулығына назар аударыңыз.

1. Құлаудан қорғаныс ысырмаларының екеуін де ұшқыннан қорғайтын қалқаншаға дәлдікті сақтап орнатыңыз.
2. Құлаудан қорғанысты тиісті бұрандалармен ұшқыннан қорғайтын қалқаншадағы арнайы саңылаулар арқылы бекітіңіз.
3. Аккумуляторды орнатыңыз. → Бет 216

6.5 Биіктен құлаудан қорғаныс

ЕСКЕРТУ

Жарақат алу қаупі құралдың және/немесе керек-жарақтың құлауынан!

- ▶ Тек өнім үшін ұсынылған **Hilti** құрал ұстағыш арқанын қолданыңыз.
- ▶ Құрал ұстағыш арқанның бекіту нүктесінде әр пайдалану алдында зақымдардың бар-жоғын тексеріп шығыңыз.

Биік жерде жұмыс істеу бойынша ұлттық нұсқамаларды орындаңыз.

Бұл өнім үшін биіктен құлаудан қорғаныс ретінде тек **Hilti** ұсынған #2293133 құлаудан сақтандырғышын **Hilti** ұсынған #2261970 құрал ұстағыш арқанымен бірге қолданыңыз.

- ▶ Құлаудан сақтандырғышты керек-жараққа арналған монтаждық саңылауларға бекітіңіз. Берік бекітілгенін тексеріңіз.
- ▶ Құрал ұстағыш арқанның карабинін құлаудан сақтандырғышқа, ал екінші карабинді жүк көтеретін құрылымға бекітіңіз. Екі карабиннің берік бекітілгенін тексеріңіз.

Hilti құлаудан сақтандырғышының және **Hilti** құрал ұстағыш арқанының пайдалану бойынша нұсқаулықтарына назар аударыңыз.

6.6 Бүйірлік тұтқышты орнату

- ▶ Бүйірлік тұтқышты алдын ала белгіленген бұрандалы төлкеге бұрап бекітіңіз.

6.7 Қорғауыш қаптаманы орнату немесе бөлшектеу

АБАЙЛАҢЫЗ

Жарақат алу қаупі. Алмалы-салмалы аспап ыстық не өткір болуы мүмкін.

- ▶ Орнату, бөлшектеу, реттеу жұмыстары мен ақаулықтарды жою кезінде қорғаныс қолғаптарын киіңіз.



- ▶ Сәйкес қорғауыш қаптаманың орнату бойынша нұсқаулығын оқып шығыңыз.

6.7.1 Стандартты қорғауыш қаптаманы орнату



Қорғауыш қаптаманың тек өнімге жарамды қаптаманы орнатуға мүмкіндік беретін арнайы шығыңқы жерлері бар. Қорғауыш қаптаманың шығыңқы жерлері өнім шпинделінің мойнында орналасқан ойықтарға бекітіледі.

1. Қорғауыш қаптаманы шпиндель мойнына өнімдегі және қорғауыш қаптамадағы үшбұрыштардың екі суреті де бір-біріне қарама-қарсы орналасатындай кигізіңіз.
2. Қорғауыш қаптаманы шпиндель мойнына басыңыз.
3. Қаптаманы босату түймесін басып, қорғауыш қаптаманы орнына тұрғанша қалаулы позицияға дейін айналдырыңыз.
 - ▶ Қаптаманы босату түймесі артқа қайтып оралады.

6.7.2 Стандартты қорғауыш қаптаманың орнын ауыстыру

- ▶ Қаптаманы босату түймесін басып, қорғауыш қаптаманы орнына тұрғанша қалаулы позицияға дейін айналдырыңыз.

6.7.3 Стандартты қорғауыш қаптаманы бөлшектеу

1. Қаптама бекіткіш түймесін басыңыз және қорғауыш қаптаманы қорғауыш қаптамадағы және өнімдегі үшбұрыш түріндегі екі белгі де бір-біріне қарама-қарсы орналасқанша бұраңыз.
2. Қорғауыш қаптаманы алып тастаңыз.

6.8 Алдыңғы қақпақты орнату немесе бөлшектеу



Алдыңғы қақпақты стандартты қорғауыш қаптамаға енгізу керек.

1. Алдыңғы қақпақты жабық жағымен стандартты қорғауыш қаптамаға қаратып жоғары қарай орнатыңыз.
 - ▶ Құлып шерту дыбысымен бекітілуі тиіс.
2. Бөлшектеу үшін алдыңғы қақпақтың құлпын ашыңыз.
3. Стандартты қорғауыш қаптамадан алдыңғы қақпақты бөлшектеңіз.

6.9 Алмалы-салмалы аспапты орнату немесе бөлшектеу

АБАЙЛАҢЫЗ

Жарақат алу қаупі. Алмалы-салмалы аспап қызып кетуі мүмкін.

- ▶ Алмалы-салмалы аспапты ауыстырған кезде қорғауыш қаптаманы тіреңіз.



Кесу мен ажарлау сапасы төмендесе, алмасты дискілерді алмастыру керек. Өзге жағдайларда алмас сегменті биіктігінің 2 мм-ден аз болуы ауыстыруға себеп болады.

Басқа диск түрлерін кесу сапасы төмендеген кезде немесе бұрыштық ажарлағыш бөліктері (дискіден басқа) жұмыс кезінде жұмыс материалына тиген жағдайда алмастыру керек.

Абразивті дискілерді тозу мерзімі өткеннен соң алмастыру қажет болады.

6.9.1 Алмалы-салмалы аспапты орнату

ЕСКЕРТУ

Жарақат алу қаупі. Аспап қозғалтқышы тоқтап қалғанда алмалы-салмалы аспап ажыратылып қалуы мүмкін.

- ▶ Алмалы-салмалы аспапты не қыспа гайканы бекітпес бұрын алмалы-салмалы аспап толығымен тоқтағанша күтіңіз.
- ▶ Алмалы-салмалы аспап пен қыспа фланецтің бөліктері аспап моторы тоқтап қалған кезде шпиндельден ажыратылмайтындай етіп оларды қыспа гайкамен бұрап бекітіңіз.

1. Қыспа фланец пен қыспа гайканы тазалаңыз.



2. Қыспа фланецтегі дөңгелек қималы сақинаның бар екендігін және зақымдалмағанын тексеріңіз.
 - ▶ Жетіспейтін немесе зақымдалған қималы сақинаны алмастырыңыз.
3. Қыспа фланецті шпindelьге берік және айналмайтындай етіп орнатыңыз.
4. Алмалы-салмалы аспапты орнатыңыз.
5. Қыспа гайканы орнатылған алмалы-салмалы аспапқа сай бұрап бекітіңіз.
6. Шпindelьді бұғаттау түймесін басып тұрыңыз.
7. Қыспа кілттің көмегімен қыспа гайканы бекемдеңіз, шпindelьді бұғаттау түймесін жіберіңіз және қыспа кілтті алып тастаңыз.

6.9.2 Алмалы-салмалы аспапты бөлшектеу

ЕСКЕРТУ

Сыну және бұзылу қаупі бар. Шпindelь айналып тұрғанда шпindelьді бұғаттау түймесі басылып тұрса, алмалы-салмалы аспап босап қалуы мүмкін.

▶ Шпindelьді бұғаттау түймесін тек шпindelь өшірулі күйінде болғанда басыңыз.

1. Шпindelьді бұғаттау түймесін басып тұрыңыз.
2. Қыспа кілтті орналастырып және сағат бағытына қарсы айналдырып, қыспа гайканы босатыңыз.
3. Шпindelьді бұғаттау түймесін жіберіп, алмалы-салмалы аспапты алып тастаңыз.

6.9.3 Kwik lock орнату

ЕСКЕРТУ

Бұзылу қаупі. Тым қатты тоздан **Kwik lock** жылдам қыспа гайкасы бұзылуы мүмкін.

- ▶ Жұмыс барысында **Kwik lock** жылдам қыспа гайкасының бетке тимейтінін қадағалаңыз.
- ▶ Зақымдалған **Kwik lock** жылдам қыспа гайкасын қолдануға болмайды.



Қыспа гайканың орнына **Kwik lock** жылдам қыспа гайкасын пайдалануға болады. Осы жолмен алмалы-салмалы аспапты қосымша құралдарды қолданбай ауыстыруға болады.

1. Фланецті және жылдам қыспа гайканы тазалаңыз.
2. Қыспа фланецтегі дөңгелек қималы сақинаның бар екендігін және зақымдалмағанын тексеріңіз.
 - ▶ Жетіспейтін немесе зақымдалған қималы сақинаны алмастырыңыз.
3. Қыспа фланецті шпindelьге берік және айналмайтындай етіп орнатыңыз.
4. Алмалы-салмалы аспапты орнатыңыз.
5. **Kwik lock** жылдам қыспа гайкасын алмалы-салмалы аспапқа орнатылғанша бұраңыз.
 - ▶ **Kwik lock** белгісі бұрап бекітілген күйде көрінеді.
6. Шпindelьді бұғаттау түймесін басып тұрыңыз.
7. Алмалы-салмалы аспапты **Kwik lock** жылдам қысқыш гайкасы тартылғанша сағат тілінің бағытымен қолмен мықтап бұрап орнатыңыз.
8. Шпindelьді бұғаттау түймесін жіберіңіз.

6.9.4 Kwik lock бөлшектеу



Kwik lock жылдам қысқыш гайкасы қолмен босатылмаса, жылдам қысқыш гайкаға қыспа гайка кілтін орнатып, оны сағат бағытына қарсы бұраңыз. Құбыр кілтін ешқашан қолданбаңыз. **Kwik lock** жылдам қысқыш гайкасы қате құралдан зақымдалуы мүмкін.

1. Шпindelьді бұғаттау түймесін басыңыз.
2. **Kwik lock** жылдам қыспа гайкасын сағат бағытына қарсы қолмен бұрай отырып босатыңыз.
3. Шпindelьді бұғаттау түймесін жіберіп, алмалы-салмалы аспапты алып тастаңыз.

6.9.5 Бұрғылау коронкасын орнату

1. Бүйірлік тұтқышты орнатыңыз. → Бет 216
2. Стандартты қорғауыш қаптаманы орнатыңыз.
3. Бұрғылау коронкасын орнатып, берік бұрап бекітіңіз.
4. Шпindelьді бұғаттау түймесін басып тұрыңыз.
5. Арнайы кілттің көмегімен бұрғылау коронкасын берік бұраңыз.
6. Содан кейін шпindelьді бұғаттау түймесін босатып, гайка кілтін алып тастаңыз.



6.9.6 Сымды қылшақты орнату

1. Бүйірлік тұтқышты орнатыңыз. → Бет 216
2. Стандартты қорғауыш қаптаманы орнатыңыз.
3. Сымды қылшақты орнатып, берік бұрап бекітіңіз.
4. Шпиндельді бұғаттау түймесін басып тұрыңыз.
5. Арнайы кілттің көмегімен сымды қылшақты берік бұраңыз.
6. Содан кейін шпиндельді бұғаттау түймесін босатып, гайка кілтін алып тастаңыз.

6.9.7 Фибра шайбасын орнату

1. Бүйірлік тұтқышты орнатыңыз. → Бет 216
2. Стандартты қорғауыш қаптаманы орнатыңыз.
3. Тіреуіш дискіні және фибра шайбасын орнатып, қыспа гайканы бұрап бекітіңіз.
4. Шпиндельді бұғаттау түймесін басып тұрыңыз.
5. Қыспа гайка кілтінің көмегімен қыспа гайканы тартыңыз.
6. Содан кейін шпиндельді бұғаттау түймесін босатып, қыспа гайка кілтін алып тастаңыз.

7 Қызмет көрсету

7.1 Қосу

1. Қосқыш/ажыратқыштың артқы бөлігін басыңыз.
2. Қосқыш/ажыратқышты алға жылжытыңыз.
 - ▶ Қозғалтқыш жұмыс істеп тұр.
3. Қосқыш/ажыратқышты бекітіңіз.

7.2 Ажарлау

ЕСКЕРТУ

Жарақат алу қаупі. Алмалы-салмалы аспап кенет бұғатталуы не ілініп қалуы мүмкін.

- ▶ Өнімді міндетті түрде бүйірлік тұтқышымен бірге пайдаланыңыз және өнімді әрдайым екі қолмен берік ұстаңыз.

Алмалы-салмалы аспаптың қысылуына және өнімге артық қысым түсуіне жол бермеңіз.

7.3 Кесіп ажарлау

- ▶ Абразивті кесу кезінде орташа беріліспен жұмыс істеніз және өнімді немесе абразивті кесу дискісін еңкейтпеңіз (жұмыс күйі шамамен 90° кесу деңгейін құрайды).



Профильдер және төрт бұрышты қимасы бар шағын құбырлар кесіп тегістеу дискісі ең кіші көлденең қимаға өткенде жақсырақ кесіледі.

7.4 Дәрекі тегістеу

ЕСКЕРТУ

Жарақат алу қаупі. Кескіш шайба жарылуы немесе сынып қалған бөліктері жарақаттануға апарып соғуы мүмкін.

- ▶ Абразивті кесу дискілерін сиырып ажарлау үшін қолдануға тыйым салынады.
- ▶ Өнімді 5° - 30° орнату бұрышымен және бірқалыпты қысыммен жан-жаққа жылжытыңыз.
 - ▶ Өңделетін зат қызбайды, боялмайды және онда іздер қалмайды.

7.5 Өшіру

- ▶ Қосқыш/ажыратқыштың артқы бөлігін басыңыз.
 - ▶ Қосқыш/ажыратқыш өшірулі күйіне орнатылып, қозғалтқыш тоқтатылады.



8 Күтім және техникалық қызмет көрсету



ЕСКЕРТУ

Аккумулятор енгізілген кезде жарақат алу қаупі бар !

- ▶ Күтім және техникалық қызмет көрсету бойынша кез келген жұмыстарды орындамас бұрын әрдайым аккумуляторды шығарыңыз!



ҚАУІПТІ

Бүлінген қорғайтын оқшаулаудан ток соғу қаупі. Пайдалану шарттары айрықша болғанда, металдарды өңдеу кезінде ток өткізгіш шаң (мысалы, металл, көмір талшығы)аспаптың ішіне жиналып, қорғайтын оқшаулауды зақымдауы мүмкін.

- ▶ Пайдалану шарттары айрықша болғанда, тұрақты сорғышты қолданыңыз.
- ▶ Желдету саңылауын жиі тазалаңыз.

Өнімге қызмет көрсету

- Қатты жабысып қалған кірді абайлап кетіріңіз.
- Корпусты сәл суланған шүберекпен ғана тазалаңыз. Ешқандай силикон қамтитын күтім құралдарын пайдаланбаңыз, себебі олар пластик бөлшектерге зақым келтіруі мүмкін.
- Өнімнің контактілерін тазалау үшін таза, құрғақ шүберекті қолданыңыз.

Литий-иондық аккумуляторға қызмет көрсету

- Еш жағдайда желдету саңылаулары бітелген аккумуляторды қолданбаңыз. Желдету саңылауларын құрғақ, жұмсақ қылшақпен жақсылап тазалаңыз.
- Аккумуляторға шаңның немесе кірдің қажетсіз тиюіне жол бермеңіз. Аккумуляторға қатты ылғалдың тиюіне ешқашан жол бермеңіз (мысалы, суға батыру немесе жаңбыр астына қою арқылы). Аккумулятор су болса, оны зақымдалған аккумулятор ретінде қарастырыңыз. Оны тұтанбайтын контейнерге оқшаулап, **Hilti** қызмет көрсету орталығына хабарласыңыз.
- Аккумуляторды бөгде май мен майлағыштан таза ұстаңыз. Аккумуляторда шаң не кірдің қажетсіз жиналуына жол бермеңіз. Аккумуляторды құрғақ, жұмсақ қылшақпен немесе таза, құрғақ шүберекпен тазалаңыз. Ешқандай силикон қамтитын күтім құралдарын пайдаланбаңыз, себебі олар пластик бөліктерге зақым келтіре алады. Аккумулятордың контактілеріне тиіменіз және зауыттан тыс қолданылған майды контактілерден кетіріңіз.
- Корпусты сәл суланған шүберекпен ғана тазалаңыз. Ешқандай силикон қамтитын күтім құралдарын пайдаланбаңыз, себебі олар пластик бөліктерге зақым келтіре алады.

Техникалық қызмет көрсету

- Кезге көрінетін барлық бөлшектерде зақымдардың бар-жоғын және басқару элементтерінің ақаусыз жұмысын жиі тексеріп тұрыңыз.
- Өнім зақымдалған және/немесе ақаулы болған жағдайда, оны пайдаланушы болмаңыз. Өнімді міндетті түрде **Hilti** қызмет көрсету орталығында жөндетіңіз.
- Күтім және техникалық қызмет көрсету жұмыстарынан кейін барлық қорғауыш құрылғыларды орнатып, олардың ақаусыз жұмыс істегенін тексеріңіз.



Қауіпсіз жұмысты қамтамасыз ету үшін тек түпнұсқа қосалқы бөлшектер мен шығын материалдарын қолданыңыз. **Hilti** мақұлдаған қосалқы бөлшектер, шығын материалдары мен өнімге арналған керек-жарақтар **Hilti Store** дүкенінде немесе келесі веб-сайтта қолжетімді: www.hilti.group

9 Аккумуляторлық құралдар мен аккумуляторларды тасымалдау және сақтау

Тасымалдау



АБАЙЛАҢЫЗ

Тасымалдау кезіндегі кенет іске қосылу !

- ▶ Өніміңізді әрдайым аккумуляторын шығарып алып тасымалдаңыз!
- ▶ Аккумулятор(лар)ды шығарыңыз.
- ▶ Аккумуляторларды ешқашан үймеде тасымалдамаңыз. Тасымалдау барысында аккумуляторларды шамадан артық соққы мен дірілден қорғау және олардың басқа батарея полустерімен жанасуына және қысқа тұйықталудың туындауына жол бермеу үшін кез келген ток өткізгіш материалдардан



немесе басқа аккумуляторлардан оқшаулау керек. **Аккумуляторларға арналған жергілікті тасымалдау ережелерін сақтаңыз.**

- ▶ Аккумуляторларды поштамен жіберуге болмайды. Зақымдалмаған аккумуляторларды жіберу қажет болғанда, жеткізуші кәсіпорындарға хабарласыңыз.
- ▶ Өнім мен аккумуляторларды әр пайдаланбас бұрын және ұзақ уақыт бойы тасымалдағаннан кейін зақымдардың бар-жоғын тексеріп шығыңыз.

Сақтау

ЕСКЕРТУ

Бүлінген немесе заряды таусылған аккумуляторлардан күтілмеген зақымдалу !

- ▶ Өніміңізді әрдайым аккумуляторын шығарып алып сақтаңыз!
- ▶ Өнім мен аккумуляторларды салқын және құрғақ жерде сақтаңыз. Техникалық деректерде көрсетілген температураның шектік мәндерін ескеріңіз.
- ▶ Аккумуляторларды зарядтағыш құрылғыда сақтамаңыз. Аккумуляторды зарядтағаннан кейін әрдайым зарядтағыш құрылғыдан шығарыңыз.
- ▶ Аккумуляторларды еш жағдайда күн мен жылу көздерінің астында немесе шыны өйнек артында сақтамаңыз.
- ▶ Өнім мен аккумуляторларды балалар мен рұқсаты жоқ адамдардың қолы жетпейтін жерде сақтаңыз.
- ▶ Өнім мен аккумуляторларды әр пайдаланбас бұрын және ұзақ уақыт бойы сақтағаннан кейін зақымдардың бар-жоғын тексеріп шығыңыз.

10 Ақаулардағы көмек

Кез келген ақаулар орын алған жағдайда, аккумулятордың заряд деңгейі мен ақау индикаторына назар аударыңыз. **Li-Ion аккумуляторларының индикаторлары** бөлімін қараңыз.

Бұл кестеде келтірілмеген немесе өзіңіз түзете алмайтын ақаулар орын алғанда, **Hilti** қызмет көрсету орталығына хабарласыңыз.

Ақаулық	Ықтимал себеп	Шешім
Өнім іске қосылмайды.	Аккумулятор заряды бос.	▶ Аккумуляторды алмастырып, бос аккумуляторды зарядтаңыз.
Аккумулятор заряды едеттегіден жылдам бітеді.	Қоршаған орта температурасы тым төмен.	▶ Аккумуляторды ұзақ уақытта бөлме температурасында жылытыңыз.
Аккумулятор естілетін шырты ету дыбысымен бекітілмейді.	Аккумулятордағы бекіткіш тілшік ластанған.	▶ Тіреуіш шығыңқы жерін тазалаңыз және аккумуляторды қайтадан салыңыз.
Бұрыштық ажарлау машинасында немесе аккумуляторды қатты қызу пайда болды.	Электрлік ақаулық	▶ Өнімді бірден өшіріңіз, аккумуляторды шығарыңыз, оны қадағалап, салқындауына мүмкіндік беріңіз және Hilti қызмет көрсету орталығына хабарласыңыз.
	Желдету саңылаулары бітелген	▶ Желдету саңылауларын жүйелі түрде тазалап тұрыңыз.
Қозғалтқыштың тежеу функциясы жоқ.	Аккумулятор заряды бос.	▶ Аккумуляторды алмастырып, бос аккумуляторды зарядтаңыз.
	Өнімге қысқа мерзімді артық жүктеме түсті.	▶ Өнімді өшіріп қайта қосыңыз.



11 Көдеге жарату



ЕСКЕРТУ

Қате жолмен көдеге жаратудан жазақат алу қаупі бар! Газдардың немесе сұйықтықтардың шығуынан денсаулыққа зиян келтіру қаупі бар.

- ▶ Зақымдалған аккумуляторларды жіберуге немесе жөнелтуге болмайды!
- ▶ Қысқа тұйықталуға жол бермеу үшін, қосылымдарды ток өткізбейтін материалмен жауып қойыңыз.
- ▶ Аккумуляторларды балалардың қолына жетпейтіндей етіп көдеге жаратыңыз.
- ▶ Аккумуляторды **Hilti Store** дүкенінде көдеге жаратыңыз немесе жергілікті көдеге жарату кәсіпорнына хабарласыңыз.



Hilti өнімдері қайта өңдеу үшін жарамды көптеген материалдардың санынан тұрады. Көдеге жарату алдында материалдарды мұқият сұрыптау керек. Көптеген елдерде **Hilti** компаниясы ескі аспаптарды көдеге жарату үшін қабылдайды. **Hilti** қызмет көрсету орталығынан немесе дилерден сұраңыз.



- ▶ Электр құралдарды, электрондық құрылғылар мен аккумуляторларды тұрмыстық қоқыспен бірге тастамаңыз!

12 Өндіруші кепілдігі

- ▶ Кепілдік шарттары туралы сұрақтарыңыз болса, жергілікті **Hilti** серіктесіне жолығыңыз.

13 Қосымша ақпарат


Басқару, техника, қоршаған орта және қайта өңдеу туралы қосымша ақпаратты мына сілтеме бойынша қараңыз: qr.hilti.com/manual/?id=2252233&id=2252235&id=2251374

Бұл сілтеме құжаттаманың соңында QR коды ретінде қолжетімді.

Оригинал kullanım kılavuzu

1 Kullanım kılavuzu bilgileri

1.1 Bu kullanım kılavuzu hakkında

- **İkaz!** Ürünü kullanmadan önce, talimatlar, güvenlik ve uyarı bilgileri, çizimler ve teknik özellikler dahil olmak üzere ürünle birlikte verilen kullanım kılavuzunu okuduğunuzdan ve anladığınızdan emin olunuz. Özellikle tüm talimatları, güvenlik ve uyarı bilgilerini, çizimleri, teknik özellikleri ve fonksiyonları öğreniniz. Aksi takdirde elektrik çarpması, yangın ve/veya ciddi yaralanma tehlikesi meydana gelebilir. Tüm talimatlar, güvenlik ve uyarı bilgileri dahil olmak üzere kullanım kılavuzunu daha sonra kullanmak üzere saklayınız.
- **HILTI** ürünleri profesyonel kullanıcıların kullanımı için öngörülmüştür ve sadece yetkili personel tarafından kullanılabilir ve bakımı yapılabilir. Bu personel, meydana gelebilecek tehlikeler hakkında özel olarak eğitim görmüş olmalıdır. Aletin ve ilgili yardımcı gereçlerin eğitimsiz personel tarafından usulüne uygun olmayan şekilde kullanılması ve amaçları dışında çalıştırılması sonucu tehlikeli durumlar söz konusu olabilir.
- Ekteki kullanım kılavuzu, basım tarihindeki mevcut gelişmiş teknolojiye uygundur. En son sürümü her zaman Hilti ürün sayfasında bulabilirsiniz. Bunu yapmak için, bu kullanım kılavuzundaki  sembolü ile işaretlenmiş bağlantıyı veya QR kodunu kullanınız.
- Ürünü başkalarına sadece bu kullanım kılavuzuyla birlikte veriniz.

1.2 Resim açıklaması

1.2.1 Uyarı bilgileri

Uyarı bilgileri, ürün ile çalışırken ortaya çıkabilecek tehlikelere karşı uyarır. Aşağıdaki uyarı metinleri kullanılır:



TEHLİKE

TEHLİKE !

- ▶ Ağır vücut yaralanmalarına veya doğrudan ölüme sebep olabilecek tehlikeler için.



⚠ İKAZ**İKAZ !**







- ▶ Ağır yaralanmalara veya ölüme neden olabilecek tehlikeler için.

⚠ DİKKAT**DİKKAT !**

- ▶ Vücut yaralanmalarına veya maddi hasarlara yol açabilecek olası tehlikeli durumlar için.


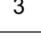


1.2.2 Kullanım kılavuzundaki semboller

Bu kullanım kılavuzunda aşağıdaki semboller kullanılmıştır:

	Kullanım kılavuzuna dikkat edilmelidir
	Kullanım uyarıları ve diğer gerekli bilgiler
	Geri dönüşümlü malzemeler ile çalışma
	Elektrikli aletleri ve aküleri evdeki çöplere atmayınız
	Hilti Lityum İyon akü
	Hilti Şarj cihazı






1.2.3 Resimlerdeki semboller

Resimlerde aşağıdaki semboller kullanılmıştır:



	Bu sayılar, kullanım kılavuzunun başlangıcındaki ilgili çizime atanmıştır.
	Numaralandırma, resimdeki çalışma adımlarının sırasını göstermektedir ve metindeki çalışma adımlarından farklı olabilir.
	Pozisyon numaraları Genel bakış resminde kullanılır ve Ürüne genel bakış bölümündeki açıklama numaralarına referans niteliğindedir.
	Bu işaret, ürün ile çalışırken dikkatinizi çekmek için koyulmuştur.

1.3 Ürüne bağlı semboller**1.3.1 Üründeki semboller**

Üründe aşağıdaki semboller kullanılabilir:

	Koruyucu gözlük kullanınız
n_0	Ölçüm rölanti devir sayısı
/min	Dakika başına devir
RPM	Dakika başına devir
\emptyset	Çap
	Doğru akım
	Kesme çalışmaları için standart başlıkla çalışmayınız.
	Her zaman iki elle çalışınız.
	Ürün, iOS ve Android platformları ile uyumlu NFC teknolojisini destekler.



Li-Ion	Lityum İyon akü
	Aküyü asla darbe aleti olarak kullanmayınız.
	Aküyü düşürmeyiniz. Darbe almış veya hasar görmüş bir aküyü kullanmayınız.

1.4 Ürün bilgileri

HILTI ürünleri profesyonel kullanıcıların kullanımı için öngörülmüştür ve sadece yetkili personel tarafından kullanılabilir ve bakımı yapılabilir. Bu personel, meydana gelebilecek tehlikeler hakkında özel olarak eğitim görmüş olmalıdır. Aletin ve ilgili yardımcı gereçlerin eğitimsiz personel tarafından usulüne uygun olmayan şekilde kullanılması ve amaçları dışında çalıştırılması sonucu tehlikeli durumlar söz konusu olabilir. Tip tanımı ve seri numarası, tip plakası üzerinde belirtilmiştir.

- Seri numarasını aşağıdaki tabloya aktarınız. Ürün bilgileri acente veya servis merkezini aradığınızda sorulabilir.

Ürün bilgileri

Akülü açılı taşıyıcı	AG 4S-22-125
Nesil	02
Seri no.	

1.5 Uygunluk beyanı

Üretici burada tanımlanan ürünün geçerli yasalara ve standartlara uygun olduğunu kendi sorumluluğunda beyan eder. Bu dokümanın sonunda uygunluk beyanının bir kopyasını bulabilirsiniz.

Teknik dokümantasyonlar eklidir:

Hilti Entwicklungsgesellschaft mbH | Zulassung Geräte | Hiltistraße 6 | 86916 Kaufering, DE

2 Güvenlik

2.1 Elektrikli el aletleri için genel güvenlik uyarıları

⚠ İKAZ Bu elektrikli el aletine yönelik tüm güvenlik uyarılarını, talimatları, resimli açıklamaları ve teknik verileri dikkatlice okuyunuz. Aşağıdaki talimatlara uyulmaması durumunda elektrik çarpması, yangın ve/veya ağır yaralanmalar söz konusu olabilir.

Tüm güvenlik uyarılarını ve kullanım talimatlarını muhafaza ediniz.

Güvenlik uyarılarında kullanılan "Elektrikli el aleti terimi, şebeke işletimli elektrikli el aletleri (şebeke kablosu ile) veya akü işletimli elektrikli el aletleri (şebeke kablosu olmadan) ile ilgilidir.

İş yeri güvenliği

- **Çalışma alanınızı temiz ve aydınlık tutunuz.** Düzensiz veya aydınlatma olmayan çalışma alanları kazalara yol açabilir.
- **Yanıcı sıvıların, gazların veya tozların bulunduğu patlama tehlikesi olan yerlerde elektrikli el aleti ile çalışmayınız.** Elektrikli el aletleri, toz veya buhar yakabilecek kıvılcım oluşturur.
- **Elektrikli el aletini kullanırken çocukları ve diğer kişileri uzak tutunuz.** Dikkatiniz dağılırsa aletin kontrolünü kaybedebilirsiniz.

Elektrik güvenliği

- **Elektrikli el aletin bağlantı fişi prize uygun olmalıdır. Fiş hiçbir şekilde değiştirilmemelidir. Adaptör fişini topraklama korumalı elektrikli el aletleri ile birlikte kullanmayınız.** Değiştirilmemiş fişler ve uygun prizler elektrik çarpması riskini azaltır.
- **Borular, radyatörler, fırınlar ve buzdolapları gibi toprağa temas eden üst yüzeylere vücudunuzla temas etmekten kaçınınız.** Vücudunuzun toprakla teması var ise yüksek bir elektrik çarpması riski söz konusudur.
- **Elektrikli el aletini yağmurdan veya ıslaklıktan uzak tutunuz.** Elektrikli el aletine su girmesi, elektrik çarpması riskini artırır.
- **Elektrikli el aletini taşımak, asmak veya fişi prizden çekmek için bağlantı kablosunu kullanım amacı dışında kullanmayınız. Bağlantı kablosunu sıcaktan, yağdan, keskin kenarlardan ve hareketli parçalardan uzak tutunuz.** Hasarlı veya dolanmış bağlantı kabloları elektrik çarpması riskini artırır.



- ▶ **Elektrikli bir el aleti ile açık alanda çalışacaksanız, sadece dışarıda kullanımına izin verilen uzatma kabloları kullanınız.** Dış mekanlar için uygun olan uzatma kablolarının kullanılması elektrik çarpması riskini azaltır.
- ▶ **Elektrikli el aleti işletiminin nemli ortamda yapılması kaçınılmaz ise bir kaçak akım koruma şalteri kullanınız.** Bir kaçak akım koruma şalterinin kullanımı elektrik çarpması riskini azaltır.

Kişilerin güvenliği

- ▶ **Dikkatli olunuz, ne yaptığınıza dikkat ediniz ve elektrikli el aleti ile mantıklı bir şekilde çalışınız.** Yorgunsanız veya uyuşturucu, alkol veya ilaç etkisi altında olduğunuzda elektrikli el aleti kullanmayınız. Elektrikli el aletini kullanırken bir anlık dikkatsizlik ciddi yaralanmalara neden olabilir.
- ▶ **Kişisel koruyucu donanım ve her zaman bir koruyucu gözlük takınız.** Elektrikli el aletinin türüne ve kullanımına göre toz maskesi, kaymayan güvenlik ayakkabısı, koruyucu kask veya kulaklık gibi kişisel koruyucu donanımların kullanılması yaralanma riskini azaltır.
- ▶ **İstem dişi çalışmayı önleyiniz. Güç kaynağına ve/veya aküyü bağlamadan, girişini yapmadan veya taşımadan önce elektrikli el aletinin kapalı olduğundan emin olunuz.** Elektrikli el aletini taşırken parmağınız şalterde ise veya alet açık konumda güç kaynağına takılırsa bu durum kazalara yol açabilir.
- ▶ **Elektrikli el aletini devreye almadan önce ayar aletlerini veya vidalama anahtarlarını çıkartınız.** Dönen bir alet parçasında bulunan bir alet veya anahtar yaralanmalara yol açabilir.
- ▶ **Aşırı bir vücut hareketinden sakınınız. Güvenli bir duruş sağlayınız ve her zaman dengeli tutunuz.** Böylece beklenmedik durumlarda elektrikli el aletini daha iyi kontrol edebilirsiniz.
- ▶ **Uygun kıyafetler giyiniz. Bol kıyafetler giymeyiniz veya takı takmayınız. Saçları, kıyafetleri ve eldivenleri hareket eden parçalardan uzak tutunuz.** Bol kıyafetler, takı veya uzun saçlar hareket eden parçalara takılabilir.
- ▶ **Toz emme ve tutma tertibatları monte edilebiliyorsa bunların bağlı olduğundan ve doğru kullanıldığından emin olunuz.** Bu toz emme tertibatının kullanımı tozdan kaynaklanabilecek tehlikeleri azaltabilir.
- ▶ **Kendi güvenliğinizi riske atmayınız ve elektrikli el aletleri kullanımında son derece tecrübeli olsanız bile ilgili güvenlik kurallarını ihlal etmeyiniz.** Dikkatsiz kullanım saniyeler içerisinde ciddi yaralanmalara neden olabilir.

Elektrikli el aletinin kullanımı ve çalıştırılması

- ▶ **Aleti çok fazla zorlamayın. Çalışmanız için uygun olan elektrikli el aletini kullanın.** Uygun elektrikli el aleti ile bildirilen hizmet alanında daha iyi ve güvenli çalışırsınız.
- ▶ **Şalteri bozuk olan elektrikli el aletini kullanmayınız.** Açılıp kapatılmayan bir elektrikli el aleti tehlikelidir ve tamir edilmesi gerekir.
- ▶ **Alet ayarlarını yapmadan, aksesuar parçalarını değiştirmeden veya aleti bir yere koymadan önce fişi prizden ve/veya (çıkarılabilir) aküyü aletten çıkarınız.** Bu önlem, elektrikli el aletinin istem dışı çalışmasını engeller.
- ▶ **Kullanılmayan elektrikli el aletlerini çocukların erişemeyeceği yerde muhafaza edin. Aleti iyi tanımayan veya bu talimatları okumamış kişilere aleti kullandırmayınız.** Elektrikli el aletleri bilgisiz kişiler tarafından kullanılırsa tehlikelidir.
- ▶ **Elektrikli el aletlerinin ve aksesuarlarının bakımını titizlikle yapınız. Hareketli parçaların kusursuz çalıştığı ve sıkışmadığı, parçaların kırılıp kırılmadığı veya hasar görüp görmediği, elektrikli el aleti fonksiyonlarının kısıtlanma durumlarını kontrol ediniz. Hasarlı parçaları aleti kullanmadan önce tamir ettiriniz.** Birçok kazanın nedeni bakımı kötü yapılan elektrikli el aletleridir.
- ▶ **Kesme aletlerini keskin ve temiz tutun.** Özenle bakımı yapılmış keskin bıçak kenarı olan kesme aletleri daha az sıkışır ve kullanımı daha rahattır.
- ▶ **Elektrikli el aletini, aksesuarları, ek aletleri vb. bu talimatlara göre kullanın. Çalışma şartlarını ve yapılacak işi de ayrıca göz önünde bulundurun.** Elektrikli el aletlerinin öngörülen kullanımı dışında kullanılması tehlikeli durumlara yol açabilir.
- ▶ **Tutamağı ve tutamak yüzeylerini daima temiz ve yağ ve gresten arındırılmış durumda tutunuz.** Kaygan tutamaklar ve tutamak yüzeyleri güvenli bir kullanımı ve öngörülemez durumlarda elektrikli el aletinin kontrolünü engeller.

Akülü el aletinin kullanımı ve çalıştırılması

- ▶ **Aküler sadece üretici tarafından tavsiye edilen şarj cihazları ile şarj ediniz.** Belirli bir akü için uygun olan bir şarj cihazı, başka akülerle kullanılırsa yanma tehlikesi vardır.
- ▶ **Elektrikli el aletlerinde sadece bunun için öngörülen aküler kullanılmalıdır.** Başka akülerin kullanılması yaralanmalara ve yanma tehlikelerine yol açabilir.
- ▶ **Kullanılmayan aküleri, kontakların köprülmesine sebep olabilecek ataçlar, madeni paralar, anahtarlar, çiviler, vidalar veya diğer küçük metal cisimlerden uzak tutunuz.** Akü kontakları arasındaki kısa devre yanmalara veya alev oluşumuna sebep olabilir.



- ▶ **Yanlış kullanımda aküden sıvı çıkabilir. Bunlar ile teması önleyiniz. Yanlışlıkla temasta su ile durulayınız. Sıvı gözlere temas ederse ayrıca doktor yardımı isteyiniz.** Dışarı akan akü sıvısı cilt tahrişine ve yanmalarına yol açabilir.
- ▶ **Hasarlı veya değiştirilmiş aküleri kullanmayınız.** Hasarlı veya değiştirilmiş aküler öngörülemez şekilde yangın, patlama veya yaralanma tehlikesi içeren tutumlara neden olabilir.
- ▶ **Aküler açık ateş yakınına koymayınız veya yüksek sıcaklıklara maruz bırakmayınız.** Açık ateş veya 130°C'nin (265°F) üzerinde sıcaklıklar patlama tehlikesine neden olabilir.
- ▶ **Tüm şarj talimatlarına uyunuz ve aküyü veya akülü aleti kullanım kılavuzunda öngörülen sıcaklık aralığının dışında şarj etmeyiniz.** Hatalı şarj veya öngörülen sıcaklık aralığının dışındaki şarj işlemleri akünün zarar görmesine ve yangın tehlikesine neden olabilir.

Servis

- ▶ **Elektrikli el aletinizi sadece kalifiye uzman personele ve sadece orijinal yedek parçalar ile tamir ettiriniz.** Böylece aletin güvenliğinin korunduğundan emin olunur.
- ▶ **Hasarlı akülere bakım yapmayınız.** Akülere yönelik tüm bakım çalışmaları sadece üretici veya yetkili müşteri hizmetleri tarafından yapılmalıdır.

2.2 Tüm çalışmalara yönelik güvenlik uyarıları

Taşıma, zımpara kağıdı taşıması, tel fırçalarla çalışma, polisaj ve kesici taşıma için ortak güvenlik uyarıları:

- ▶ **Bu elektrikli el aleti taşıma makinesi, zımpara kağıtlı zımpara, tel fırça, polisaj makinesi, delik kesici ve kesici taşıma makinesi olarak kullanılmalıdır. Aletle birlikte verilen tüm güvenlik uyarılarına, talimatlara, görsellere ve verilere dikkat ediniz.** Aşağıdaki talimatlar dikkate alınmazsa elektrik çarpması, yangın ve/veya ağır yaralanmalar meydana gelebilir.
- ▶ **Bu elektrikli el aletini, üreticinin tasarladığı ve belirlediği amaçla çalışmayacağı şekilde değiştirmeyiniz.** Bu tür bir değişiklik kontrol kaybına ve ağır yaralanmalara neden olabilir.
- ▶ **Üretici tarafından bu elektrikli el aleti için özel olarak geliştirilmiş olmayan ve uygunluğu belirtilmemiş aksesuarlar kullanmayınız.** Sadece aksesuarı elektrikli el aletine sabitleyebileceğiniz onun güvenli bir şekilde kullanılabileceği anlamına gelmez.
- ▶ **Kullanılan ek aletin izin verilen devir sayısı, elektrikli el aletin üzerindeki devir sayısı kadar yüksek olmalıdır.** Uygun olandan daha hızlı dönen aksesuar kırılabilir ve etrafa fırlayabilir.
- ▶ **Dış çap ve kullanılan ek aletin kalınlığı, elektrikli el aletin ölçü verilerine uymalıdır.** Yanlış ölçülen ek aletleri yeterince korunamaz veya kontrol edilemez.
- ▶ **Dişli uçlara sahip ek aletler, taşıma milinin dişlisine tam olarak uymalıdır. Flanş ile takılan ek aletlerde ek aletin delik çapı, flanştaki bağlantı noktası çapına uygun olmalıdır.** Elektrikli el aleti üzerine tam olarak sabitlenmeyen ek aletler dengesiz şekilde döner, çok yoğun şekilde titrer ve kontrolün kaybedilmesine neden olabilir.
- ▶ **Hasarlı ek aletleri kullanmayınız. Taşıma diskleri gibi ek aletlerin her kullanımından önce çatlak ve yırtık, aşınma veya aşırı kullanım, gevşek veya kırılmış tel fırça veya kırık tel durumu kontrol edilmelidir.** Elektrikli el aleti veya ek alet yere düştüyse, hasar bakımından kontrol edilmeli veya hasar görmemiş bir ek alet kullanılmalıdır. Ek aleti kontrol edip yerleştirdiğinizde siz ve çevredeki kişiler dönen ek aletin yakınından uzaklaşmalı ve alet bir dakika boyunca en yüksek devir sayısı ile çalıştırılmalıdır. Hasarlı ek aletler çoğunlukla bu test süresinde parçalanır.
- ▶ **Kişisel koruyucu donanım giyiniz. Kullanıma göre tam yüz koruması, göz koruması veya koruyucu gözlük kullanınız. Gerekli olduğu takdirde küçük zımpara veya malzeme parçacıklarını uzak tutan toz maskesi, kulaklık, koruyucu eldiven veya özel önlük giyiniz.** Gözler değişik kullanımlarda oluşan havada uçan yabancı parçacıklardan korunmalıdır. Toz veya solunum maskesi kullanım sırasında ortaya çıkan tozu filtrelemelidir. Uzun süre yüksek seste bulundaysanız duyma kaybı meydana gelebilir.
- ▶ **Diğer kişilerin çalışma alanınıza yaklaşmamasına dikkat ediniz. Çalışma alanına giren herkes kişisel koruyucu donanım giymelidir.** İş parçasının kırılmış parçaları veya kırılmış ek aletler uçabilir ve doğrudan çalışma alanının dışında da yaralanmalara sebep olabilir.
- ▶ **Ek aletin gizli elektrik kablolarına temas edebileceği yerlerde çalışıyorsanız elektrikli el aleti sadece izole edilmiş tutamak yüzeyinden tutunuz.** Elektrik ileten bir hat ile temasta metal parçalar da gerilim altında kalır ve elektrik çarpmasına neden olabilir.
- ▶ **Elektrikli el aletini, ek alet tamamen durmadan önce asla kapatmayınız.** Dönen ek alet, elektrikli el aletinin kontrolünü kaybedebileceğiniz altlık yüzeyine doğru gidebilir.
- ▶ **Taşıdığınız sırada elektrikli el aleti çalışır durumda olmamalıdır.** Kıyafetiniz dönen ek alete istem dışı takılabilir ve ek alet vücudunuzu delebilir.
- ▶ **Elektrikli el aletinizin havalandırma deliklerini düzenli bir şekilde temizleyiniz.** Motor fanı muhafazaya toz çeker ve metal tozlarının birikmesinden dolayı elektrikli tehlikelere neden olabilir.



- **Elektrikli el aletini yanıcı maddelerin yakınında kullanmayınız.** Kıvılcıklar bu maddeleri tutuşturabilir.
- **Sıvı soğutma maddesi gerektiren ek aletleri kullanmayınız.** Su ve diğer sıvı soğutma maddelerinin kullanılması elektrik çarpmasına neden olabilir.

Geri tepme ve ilgili güvenlik uyarıları

Geri tepme; taşlama diski, taşlama tablası, tel fırça vb. dönen bir ek aletin sıkışması veya bloke olması nedeniyle ani bir tepki vermesidir. Sıkışma veya bloke olma nedeniyle dönen ek alet aniden durur. Bu nedenle kontrol edilemeyen elektrikli el aleti, blokaj noktasında ek aletin dönüş yönünün tersine ivmelenir.

Örneğin bir taşlama diski iş parçasında sıkışrsa veya bloke olursa, iş parçasına giren zımpara diskinin kenarı kırışabilir ve bu nedenle taşlama diski kırılabilir veya geri tepmeye neden olabilir. Taşlama diski, blokaj noktasında diskin dönüş yönüne bağlı olarak kullanan kişinin üzerine doğru veya kullanan kişiden uzağa doğru hareket eder. Bu durumda taşlama diskleri de kırılabilir.

Elektrikli el aletin yanlış veya hatalı kullanılması sonucunda geri tepme meydana gelir. Aşağıda tanımlanan özel önlemler alınarak geri tepme engellenebilir.

- **Elektrikli el aletini iki elinizle sıkıca tutunuz ve vücudunuzu ve kollarınızı geri tepmelere karşı koyabileceğiniz şekle getiriniz. Geri tepmelerde ve yüksek devirlerdeki reaksiyon anlarında kontrolü sağlayabilmek için her zaman ilave tutamaktan tutunuz.** Aleti kullanan kişi özel önlemler ararak geri tepme veya reaksiyon güçlerine karşı koyabilir.
- **Elinizi kesinlikle dönen ek aletlerin yakınında bulundurmayınız.** Ek alet geri teperken elinizin üzerinden geçebilir.
- **Vücudunuzu elektrikli el aletinin bir geri tepmede hareket ettiği bölgeden uzak tutunuz.** Geri tepme blokaj yerinde elektrikli el aleti taşlama diskinin hareketinin ters yönünde hareket ettirir.
- **Özellikle köşelerde ve keskin kenarlı yerlerde daha dikkatli bir şekilde çalışınız. Ek aletlerin iş parçasından geri tepmesini ve iş parçasına sıkışmasını engelleyiniz.** Dönen ek alet köşelerde, keskin kenarlarda veya çarpıtığında sıkışmaya meyillidir. Bu bir kontrol kaybına veya geri tepmeye neden olur.
- **Zincirli veya dişli testere bıçakları ve 10 mm üzerinde genişlikte yivlere sahip bölümlü elmas bıçaklar kullanmayınız.** Bu tür ek aletler, çoğunlukla bir geri tepmeye veya elektrikli el aleti üzerindeki kontrolün kaybedilmesine neden olur.

Taşlama ve kesici taşlama için özel güvenlik uyarıları:

- **Elektrikli el aletiniz için sadece izin verilen zımparalama gövdesi ve bu zımparalama gövdesi için öngörülen koruma başlığı kullanınız.** Elektrikli el aleti için ön görülmüş olan taşlama çarkları yeterince korumalı değildir ve güvenli değildir.
- **Alçak taşlama diskleri, taşlama yüzeylerinin koruma başlığı kenarından taşmayacağı şekilde takılmalıdır.** Uygun olmayan şekilde takılan ve koruma başlığı kenarından taşan bir taşlama diski yeterince yağlanamaz.
- **Koruma başlığı elektrikli el aletine güvenli bir şekilde takılmalı ve maksimum güvenlik için taşlama gövdesinin mümkün olan en küçük parçası kullanıcı tarafını göstermelidir.** Koruma başlığı kullanan kişi; kırılan parçalardan, taşlama gövdeleriyle temas etmekten veya kıvılcım ve kıyafetin alev almasından korumaya yardım eder.
- **Zımparalama gövdeleri sadece uygunluğu belirtilmiş uygulama imkanları için kullanılmalıdır. Örnek: Asla kesim için kesme diskinin yan tarafını kullanmayınız.** Kesme diskleri diskin kenarı ile malzemenin kazınması için uygundur. Zımparalama gövdesine yanlardan uygulanan kuvvetten dolayı kırılma meydana gelebilir.
- **Sizin tarafınızdan seçilen zımpara diski için daima hasar görmemiş uygun ebatta ve şekilde sıkma flanşları kullanınız.** Uygun olan flanşlar taşlama diskinin destekler ve taşlama diskinin kırılma tehlikesini azaltır. Kesme diskleri flanşları diğer taşlama diskleri flanşlarından farklıdır.
- **Daha büyük elektrikli el aletlerine ait kullanılmış taşlama disklerini kullanmayınız.** Büyük elektrikli el aletleri için kullanılan taşlama diskleri daha küçük elektrikli el aletlerinin daha yüksek devir sayıları için tasarlanmamıştır ve kırılabilir.
- **İki kez kullanılabilen taşlama takımlarını kullanırken her zaman ilgili uygulama için tasarlanan koruma başlığı kullanınız.** Yanlış koruma başlığının kullanılması, sadece yetersiz koruma sağlayabilir ve bu da ciddi yaralanmalara neden olabilir.

Kesici taşlama için diğer özel güvenlik uyarıları:

- **Kesme diskinin bloke olması ve çok yüksek presleme basıncını önleyiniz. Çok derin kesimler yapmayınız.** Kesme diskinin aşırı kullanımı aletin aşınmasını artırır ve kırılma tehlikesi ve blokaja neden olabilir ve bu nedenle bir geri tepme veya zımparalama gövdesinin kırılması söz konusu olabilir.
- **Döner kesme diskinin ön ve arka tarafındaki alandan uzak durunuz.** Eğer kesme diski iş parçasında kendinizden başka bir yöne hareket ettirirseniz, geri tepme sonucu elektrikli el aleti döner disk ile birlikte doğrudan size doğru hareket eder.



- ▶ Eğer kesme diski sıkışıyorsa veya çalışmaya ara vererseniz, aleti kapatınız ve disk durana kadar bekleyiniz. Asla çalışır durumdaki kesme diskini iş parçasından çekmeyiniz, aksi takdirde bir geri tepme meydana gelebilir. Sıkışmanın sebebini belirleyiniz ve sebebini gideriniz.
- ▶ Elektrikli el aletini iş parçası üzerine getirilmediği sürece devreye almayınız. Dikkatlice kesime devam edilmeden önce kesme diskinin tam devir sayısına ulaşmasını sağlayınız. Aksi takdirde diskler takılabilir, iş parçasından çikabilir ve geriye doğru bir darbeye neden olabilir.
- ▶ Sıkışan bir kesme diskinin geri tepmesini önlemek için levhaları veya büyük iş parçalarını destekleyiniz. Büyük iş parçaları kendi ağırlıklarından dolayı bükülebilir. İş parçası; diskin her iki tarafından, kesme bölgesine yakın bir noktadan ve aynı zamanda kenardan desteklenmelidir.
- ▶ Mevcut duvarlarda veya görülemeyen diğer alanlarda özellikle "Çep kesimlerinde" çok dikkatli olunuz. Derine dalan kesme diski gaz, su, elektrik hatlarının ve diğer nesnelere kesiminde geriye doğru tepmeye neden olur.
- ▶ doğrusal olmayan kesimler yapmaya çalışmayınız. Kesme diskinin aşırı kullanımı aletin aşınmasını artırır ve kırılma tehlikesi ve blokaja neden olabilir ve bu nedenle söz konusu olabilecek bir geri tepme veya zımparalama gövdesinin kırılması sağır yaralanmalara neden olabilir.

Zımpara kağıdı taşlaması için özel güvenlik uyarıları:

- ▶ Sadece doğru boyutta zımpara kağıtları kullanınız. Zımpara kağıdı boyutuna ilişkin üretici verilerine uyunuz. Zımpara tablasından çok fazla taşan zımpara kağıtları, diskin bloke olmasına, zımpara kağıtlarının zarar görmesine veya geri tepmeye ve yaralanmalara neden olabilir.

Polisaj için özel güvenlik uyarıları:

- ▶ Polisaj kapağında gevşek parça olmamasına, özellikle de sabitleme iplerine dikkat ediniz. Sabitleme iplerini büküp bağlayınız veya kısaltınız. Gevşek, birlikte dönen sabitleme ipleri parmakları yakalayabilir veya iş parçasına sarılabilir.

Tel fırçalarla çalışma için özel güvenlik uyarıları:

- ▶ Tel fırçanın normal çalışmada da tel parçaları kaybetmesine dikkat edilmelidir. Telleri fazla bastırarak aşırı yükü maruz bırakmayınız. Uçuşan tel parçaları ince kıyafetlere veya vücuda kolayca saplanabilir.
- ▶ Eğer koruma başlığı öngörülüyorsa, koruma başlığı ve tel fırçanın birbiri ile temas etmesi önlenmelidir. Tabla ve çanak fırçaları, presleme basıncı ve merkezkaç kuvvetleri ile çaplarını büyütebilir.

2.3 Ek güvenlik uyarıları

Kişilerin güvenliği

- ▶ Ürünü ve aksesuarı sadece teknik açıdan sorunsuz durumdayken kullanınız.
- ▶ Ürün veya aksesuar üzerinde asla manipülasyon veya değişiklik yapılmamalıdır.
- ▶ Ürünü her zaman iki elinizle öngörülen tutamaklardan sıkıca tutunuz. Tutamakları kuru, temiz, yağsız ve gressiz bir şekilde tutunuz.
- ▶ Ürün toz emme tertibatı olmadan çalışıyorsa toz oluşturan çalışmalarda hafif solunum koruma maskesi takılmalıdır.
- ▶ Parmaklarınızdaki kan dolaşımının daha iyi olması için sık sık molalar veriniz ve parmak egzersizleri yapınız. Uzun süren çalışmalarda yüksek titreşim, parmaklar, eller veya bileklerdeki sinir sisteminde veya kan damarlarında rahatsızlıklara neden olabilir.
- ▶ Dönen parçalara temas etmekten kaçınınız. Ürünü çalışma alanında çalıştırmaya başlayınız. Dönen parçalara, özellikle dönen aletlere temas etmek yaralanmalara yol açabilir.
- ▶ Yere koymadan önce ürünün tamamen durmasını bekleyiniz.
- ▶ Bu ürün gözetim altında olmayan yetersiz güçteki kişiler için uygun değildir. Ürünü çocuklardan uzak tutunuz.
- ▶ Taşlama, zımparalama, kesme ve delme işlemleri sonucunda oluşan tozlar tehlikeli kimyasallar içerebilir. Bazı örnekler şunlardır: Kurşun temelli kurşun veya boya; Tuğla, beton ve diğer duvar ürünleri, doğal taş ve diğer silikat içeren ürünler; Meşe, kayın gibi belirli ahşaplar ve kimyasal işlem görmüş ahşap; Asbest veya asbest içerikli malzemeler. Çalışılan malzemenin tehlike sınıfına göre kullanıcının ve çevredeki kişilerin maruziyetini belirleyiniz. Maruziyeti güvenli bir seviyede tutmak için bir toz toplama sisteminin kullanımı veya uygun bir solunum koruma maskesinin kullanımı gibi gerekli önlemleri alınız. Maruziyeti azaltmaya yönelik genel önlemler aşağıdakilerdir:
 - ▶ İyi havalandırılan bir alanda çalışma,
 - ▶ Toz ile uzun süreli temastan kaçınma,
 - ▶ Yüz ve vücuttaki tozları giderme,
 - ▶ Korumacı kıyafet kullanma ve maruz kalan alanları su ve sabunla yıkama.



- Ürünün kullanımı sırasında kullanıcı ve çevresinde bulunan kişiler bir koruyucu gözlük, koruyucu kask ve kulaklık kullanmalıdır.
- Alet değişimi sırasında koruyucu eldiven takılmalıdır. Ek alete takılan uçlara dokunmak kesik ve yanık türünde yaralanmalara yol açabilir.
- Aletlerin ve/veya aksesuarların düşmesi nedeniyle yaralanma tehlikesi. Çalışmaya başlamadan önce, akü ve monte edilmiş aksesuarların güvenli şekilde sabitlendiğinden emin olunuz.
- Havalandırma deliklerini her zaman açık bırakınız. Üzeri kapatılan havalandırma delikleri nedeniyle yanma tehlikesi!
- Ürünü ancak çalışma konumuna getirdikten sonra çalıştırınız.
- Yere koymadan önce ürünün tamamen durmasını bekleyiniz.
- Eğer ürün tarafından çalışma sınırlarının aşılması veya boş akü durumu algılanırsa, aletin motor tarafından frenlenmemesi söz konusu olabilir.
- Bu ürüne herhangi bir kemer kancası sabitlemeyiniz.

Elektrikli el aletleri ile dikkatli çalışılması ve aletin doğru kullanılması

- Zımpara diskleri üreticinin talimatlarına uygun olarak saklanmalı ve kullanılmalıdır.
- Ürünü asla koruma başlığı olmadan kullanmayınız.
- Aleti emniyete alınız. İş parçasını sabit tutmak için germe tertibatı veya bir mengene kullanınız. Böylece ürün, elle tutulmasına kıyasla daha güvenli durur ve ayrıca her iki eliniz de aleti kullanmak için boşta kalır.
- Kaba zımparalama için kesici taşlama disklerini kullanmayınız.
- Ek aleti ve flanş iyice sıkınız. Ek alet ve flanş iyice sıkılmamışsa kapatma sonrasında ek aletin frenleme esnasında alet motoru tarafından milinden ayrılması söz konusu olabilir.

Elektrik güvenliği

- Çalışmaya başlamadan önce çalışma alanında üzeri örtülü elektrik kablosu, gaz ve su borusu bulunup bulunmadığını kontrol ediniz. Bir elektrik hattına, bir gaz veya su borusuna zarar verilmesi halinde, ürünün dışındaki metal parçalar elektrik çarpmasına veya patlamaya neden olabilir.
- İletken malzemelerin sık işlenmesi durumunda, kirlenen ürünleri düzenli aralıklarla **Hilti** servisine kontrol ettiriniz. Alet üst yüzeyindeki toz, özellikle iletken malzeme veya nem, uygunsuz kullanımlar sonucu elektrik çarpmasına yol açabilir.

Çalışma yeri

- Kırma çalışmalarında, çalışılacak yerin karşı tarafında bulunan bölgeyi emniyete alınız. Kırılan parçalar dışarı ve / veya yere düşebilir ve diğer kişilerin yaralanmasına sebep olabilir.
- Taşıyıcı duvarlardaki oyuklar veya diğer yapılardaki oyuklar, özellikle beton demiri ve taşıyıcı elemanların kesilmesinde statik etki edebilir. Çalışmaya başlamadan önce yetkili statikçi, mimar veya yetkili inşaat bölümüne danışınız.

Koruma başlığının kullanımına yönelik ek bilgiler

Aşağıdaki risklerden kaçınmak için her zaman doğru koruma başlığı kullanın, bkz: "Kullanılan donanıma göre disklerin belirlenmesi" bölümü.

- Yüzeş taşlama için ön kapaklı standart koruma başlığı kullanıldığında, koruma başlığı iş parçasına temas edebilir ve bu nedenle kontrol kaybına neden olabilir.
- Kalınlığı izin verilen maksimum kalınlığı aşan bir tel fırça kullanıldığında, teller koruma başlığına takılabilir ve kırılabilir.
- Aşındırıcı kesme diskleriyle metalde kesici taşlama için standart koruma başlığı kullanıldığında, kıvılcımlara ve parçacıklara ve diskin kırılması durumunda disk kıymıklarına maruz kalma riski artar.
- Beton veya duvar kesme ve taşlama için ön kapaklı veya kapaksız standart koruma başlığı kullanıldığında, daha fazla toz yükü ve ürünün kontrolünü kaybetme riski artar, bu da geri tepmelere neden olabilir.

2.4 Akülü aletlerin özenli çalıştırılması ve kullanımı

- **Lityum İyon akülerin kullanılması sırasında aşağıda belirtilen güvenlik uyarılarını dikkate alınız.** Bunlara dikkate alınmaması ciltte tahrişlere, ağır korozif yaralanmalara, kimyasal yanıklara, yangın ve / veya patlamalara neden olabilir.
- Aküyü sadece teknik olarak kusursuz durumdayken kullanınız.
- Hasarları önlemek için ve sağlığa ciddi zarar verici sıvıları engellemek için akülere itinalı davranınız!
- Akülere asla müdahale edilmemeli ve üzerlerinde onarım yapılmamalıdır!
- Aküler parçalarına ayrılmalı, ezilmemeli, 80° C (176° F) üzerine ısıtılmamalı veya yakılmamalıdır.
- Darbeye maruz kalmış veya başka bir hasar görmüş aküleri kullanmayınız. Akülerinizi hasar belirtilerine karşı düzenli olarak kontrol ediniz.
- Geri dönüştürülmüş veya onarılmış aküleri asla kullanmayınız.



- ▶ Aküyü veya aküyle çalışan bir elektrikli el aletini asla bir şeyi çakmak veya bir şeye vurmamak için kullanmayınız.
- ▶ Aküleri asla doğrudan güneş ışığına, aşırı sıcaklık, kıvılcım veya açık ateşe maruz bırakmayınız. Bu durum patlamalara neden olabilir.
- ▶ Akünün kutbuna parmaklarınız, aletler, takılar veya diğer elektriksiz olarak iletken nesnelere dokunmayınız. Bu durum aküye hasar verebilir, maddi hasarlara ve yaralanmalara neden olabilir.
- ▶ Aküleri yağmurdan, ıslıklıktan ve sıvılardan uzak tutunuz. Akülerin içine nemin girmesi, kısa devrelere, elektrik çarpmalarına, yangılara, yangına veya patlamalara neden olabilir.
- ▶ Sadece akü tipi için öngörülmüş olan şarj cihazlarını ve elektrikli el aletlerini kullanınız. Bunun için ilgili kullanım kılavuzlarındaki verileri dikkate alın.
- ▶ Aküyü patlama tehlikesi olan ortamlarda kullanmayınız veya depolamayınız.
- ▶ Akü tutulamayacak kadar sıcaksa arızalı olabilir. Pili, yanıcı malzemelere yeterli mesafede, görünür ve yanıcı olmayan bir yere yerleştiriniz. Aküyü soğumaya bırakınız. Akü bir saat sonra hala dokunulamayacak kadar sıcaksa, arızalı demektir. **Hilti** servisiyle irtibat kurunuz veya "**Hilti** Lityum İyon aküler için güvenlik ve kullanım uyarıları" dokümanını okuyunuz.

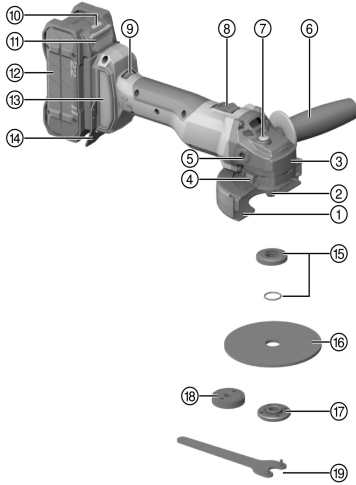


Lityum İyon aküleri taşıma, depolama ve kullanma için geçerli özel yönetmelikleri dikkate alın.
→ Sayfa 240

Bu kullanım kılavuzunun sonundaki QR kodu tarayarak ulaşabileceğiniz, **Hilti** Lityum İyon aküler için güvenlik ve kullanım uyarılarını okuyunuz.

3 Tanımlama

3.1 Ürüne genel bakış



- ① Standart koruma başlığı
- ② Mil
- ③ Dönme yönü oku
- ④ Kapak açma düğmesi
- ⑤ Tutamak için vidalı yuva
- ⑥ Yan tutamak
- ⑦ Mil ayarlama düğmesi
- ⑧ Açma/kapama şalteri
- ⑨ Hız ayarı
- ⑩ Akü durum göstergesi
- ⑪ Akü kilit açma tuşu
- ⑫ Akü
- ⑬ Toz filtresi
- ⑭ Kıvılcım koruma levhası
- ⑮ O-ringli sıkma flanşı
- ⑯ Kesici taşlama disk / kaba zımparalama disk
- ⑰ Germe somunu
- ⑱ Hızlı bağlantı somunu **Kwik lock** (opsiyonel)
- ⑲ Sıkma anahtar

3.2 Usulüne uygun kullanım

Tanımlanan ürün, elle kullanılan, aküyle çalışan bir açılı taşlayıcıdır. Alet metalik ve mineralli maddelerin kesici taşlama ve kaba zımparalamasını yapmanın yanı sıra su kullanmadan fırçalama ve zımpara kâğıdı ile zımparalama yapmak için tasarlanmıştır. Yalnız kuru taşlama/kesme işlemleri için kullanılabilir.

- Bu ürün için sadece B 22 tip serisi **Hilti** Nuron Lityum İyon aküleri kullanınız. Optimum güç için **Hilti** bu ürünle birlikte bu kullanım kılavuzunun sonundaki tabloda belirtilen akülerin kullanılmasını tavsiye eder.
- Bu aküler için sadece **Hilti** şarj cihazlarının bu kullanım kılavuzunun sonundaki tabloda belirtilen serilerini kullanınız.



3.3 Teslimat kapsamı

Açılı taşıyıcı, yan tutamak, standart koruma başlığı, ön kapak, sıkma flanşı, germe somunu, sıkma anahtar, toz filtresi, kullanım kılavuzu.

Ürün için izin verilen diğer sistem ürünlerini **Hilti Store**'da veya şu adreste bulabilirsiniz: **www.hilti.group**

3.4 ATC

Ürün, elektronik hızlı kapatma donanımına ATC (Active Torque Control) sahiptir.

Ek alet takılır veya sıkışır, ürün aniden kontrolsüz şekilde ters yönde dönmeye başlar. ATC, ürünün bu ani dönme hareketini algılar ve ürünü derhal kapatır.



Usulüne uygun çalışma durumu için ürünün dönebilmesi gereklidir.
Başarılı hızlı kapatmanın ardından, ürünü kapatınız ve tekrar açınız.

3.5 Motor koruma fonksiyonu

Motor koruma fonksiyonu akım girişi ile motor ısınmasını denetler ve ürünü aşırı ısınmaya karşı korur.

Presleme basıncı nedeniyle motor aşırı yüklendiğinde ürünün performansı fark edilir biçimde düşer veya ürün durabilir.



Aşırı yüklenme neticesinde durma veya devir sayısında düşüş yaşanırsa ürünün yükünü azaltmalı ve yaklaşık 30 saniye rölantide çalıştırmalısınız.

3.6 Entegre fren

Entegre fren aracılığıyla ek aletin durmasına kadar geçen süre kısaltılır.



Bu fonksiyon sadece ürün elektrik ile beslendiğinde çalışır.
Seçilen ek alete göre fren süresi farklılık gösterir.

3.7 Ön kapak 2

Standart koruma başlıklı ön kapağı aşağıdaki uygulamalarda kullanınız:

- Düz kaba zımparalama diski ile kaba zımparalama
- Kesici taşlama diski ile kesici taşlama

3.8 Toz kapağı (kesme) DC-EX 125/5" C Kompakt kapak (aksesuar) 3

Mineral zeminlerde elmas taşlama diski ile kesici taşlama işleri için kompakt başlık DC-EX 125/5" C kullanılmalıdır.

Bu muhafaza ile metal işlemek yasaktır.

3.9 Toz kapağı (kesme) DC-EX 125/5" M (aksesuar) 4

Mineralli zeminlerde elmas taşlama diski ile kesici taşlama ve oluk açma işleri sadece bir toz kapağı yürütülmelidir.

DİKKAT Bu başlık ile metal işlemek yasaktır.

3.10 Toz kapağı (taşlama) DG-EX 125/5" (aksesuar) 5

Bu taşlama sistemi, yalnızca elmas konik disklerle mineralli yüzeylerin taşlanması için uygundur.

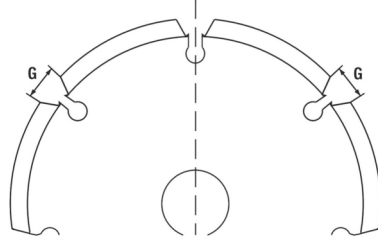
Bu muhafaza ile metal işlemek yasaktır.



3.11 Uygun elmas kanal açma disklerinin geometrisi

Elmas kanal açma disklerinin aşağıdaki geometrik ön koşulları karşılaması gerekir.

Teknik veriler	
Tabakalar arasındaki yarık genişliği (G)	≤ 10 mm
Kesme açısı	negatif



3.12 Lityum İyon akü göstergeleri

Hilti Nuron Lityum İyon aküler şarj durumunu, hata mesajlarını ve akünün durumunu gösterebilir.

3.12.1 Şarj durumu ve hata mesajları göstergeleri



İKAZ

Düşen akü nedeniyle yaralanma tehlikesi!

- ▶ Akü takılıyken, kilit açma tuşuna bastıktan sonra, kullandığınız üründe akünün yerine oturduğundan emin olunuz.

Aşağıdaki göstergelerden birini görüntülemek için akünün kilit açma tuşuna kısa süreli basınız.

Bağlı olan ürün açık olduğu sürece, şarj durumu ve olası arızalar da sürekli görüntülenir.

Durum	Anlamı
Dört (4) LED sürekli yeşil yanıyor	Şarj durumu: % 100 ila % 71 arası
Üç (3) LED sürekli yeşil yanıyor	Şarj durumu: % 70 ila % 51 arası
İki (2) LED sürekli yeşil yanıyor	Şarj durumu: % 50 ila % 26 arası
Bir (1) LED sürekli yeşil yanıyor	Şarj durumu: % 25 ila % 10 arası
Bir (1) LED yavaşça yeşil renkte yanıp sönüyor	Şarj durumu: < % 10
Bir (1) LED hızlıca yeşil yanıp sönüyor	Lityum İyon akü tamamen deşarj olmuş. Aküyü şarj ediniz. Akünün şarj işleminden sonra LED hala hızlı yanıp sönüyorsa, lütfen Hilti servisiyle irtibat kurunuz.
Bir (1) LED hızlıca sarı yanıp sönüyor	Lityum İyon akü veya buna bağlı ürün aşırı yüklendi, çok sıcak, çok soğuk veya başka bir hata mevcut. Ürünü ve aküyü önerilen çalışma sıcaklığına getiriniz ve kullanırken ürünü aşırı yüke maruz bırakmayınız. Mesaj devam ediyorsa Hilti servisiyle irtibat kurunuz.
Bir (1) LED sarı yanıyor	Lityum İyon akü ve bağlantılı ürün uyumlu değildir. Lütfen Hilti servisine başvurunuz.
Bir (1) LED hızlıca kırmızı yanıp sönüyor	Lityum İyon akü bloke olmuş ve kullanılamaz. Lütfen Hilti servisine başvurunuz.

3.12.2 Akü durumunun göstergeleri

Akü durumunu sorgulamak için, kilit açma tuşuna üç saniyeden fazla basılı tutunuz. Sistem; düşme, delinme, harici ısı hasarları vb. gibi usulüne uygun olmayan kullanım nedeniyle pilde potansiyel hatalı fonksiyon algılamıyor.

Durum	Anlamı
Tüm LED'ler çalışma ışığı olarak yanıyor ve ardından bir (1) LED sürekli yeşil yanıyor.	Akü kullanımına devam edilebilir.



Durum	Anlamı
Tüm LED'ler çalışma ışığı olarak yanıyor ve ardından bir (1) LED hızlıca sarı yanıp sönüyor.	Akünün durumuna ilişkin sorgu tamamlanmadı. İşlemi tekrarlayınız veya Hilti servisiyle irtibat kurunuz.
Tüm LED'ler çalışma ışığı olarak yanıyor ve ardından bir (1) LED sürekli kırmızı yanıyor.	Bağlı bir ürünün kullanımına devam edilebiliyorsa, kalan akü kapasitesi %50'nin altındadır. Bağlı bir ürünün kullanımına devam edilemiyorsa, akünün kullanım ömrü dolmuştur ve akü değiştirilmelidir. Lütfen Hilti servisine başvurunuz.

4 Sarf malzemesi

Sadece yapay reçine bağlantılı liflerle güçlendirilmiş diskler (maks. Ø 125 mm) kullanılmalıdır. Bu diskler en az 11000/dak devir sayısı ve 80 m/san çevresel hız için uygun olmalıdır.

DİKKAT! Kesici taşlama diskleri ile yapılan kesme ve yiv açma çalışmaları sırasında her zaman ilave ön kapaklı standart koruma başlığı veya komple kapalı bir toz kapağı kullanınız.

Diskler

Tip	Kullanım	Kısa işaret	Zemin	maks. kalınlık	maks. çap
Aşındırıcı kesici taşlama disk	Kesici taşlama, yiv açma	AC-D	metalik	2,5 mm	125 mm
Elmas kesici taşlama disk	Kesici taşlama, yiv açma	DC-TP, DC-D (SPX, SP, P)	mineralli	3 mm	125 mm
Aşındırıcı kaba zımparalama disk	Kaba zımparalama	AG-D, AF-D, AN-D	metalik	6,4 mm	125 mm
Elmas kaba zımparalama disk	Kaba zımparalama	DG-CW (SPX, SP, P)	mineralli	—	125 mm
Tel fırça	Tel fırçalar	3CS, 4CS, 3SS, 4SS	metalik	— 27 mm	75 mm 125 mm
Elmas karot ucu	Fayans delme	DD-M14	mineralli	—	125 mm
Fiber disk	Kaba zımparalama	AP-D	metalik	—	125 mm

Kullanılan donanıma göre disklerin belirlenmesi

Pozisyon	Donanım	AC-D	AP-D	AG-D, AF-D, AN-D	DG-CW (SPX, SP, P)	DC-TP, DC-D (SPX, SP, P)	3CS, 4CS, 3SS, 4SS, DD-M14
A	Koruma başlığı (standart)	✓	✓	✓	✓	✓	✓
B	Ön kapak (A ile bağlantılı olarak)	✓	—	—	—	✓	—
C	Toz kapağı (taşlama) DG-EX 125/5"	—	—	—	✓	—	—
D	Toz kapağı (kesme) DC-EX 125/5"C (A ile bağlantılı olarak)	—	—	—	—	✓	—
E	Toz kapağı (yiv açma) DC-EX 125/5"M	—	—	—	—	✓	—
F	Adaptör DC-EX SL (E ile bağlantılı olarak)	—	—	—	—	✓	—
G	Yan tutamak (standart)	✓	✓	✓	✓	✓	✓
H	Germe somunu (standart)	✓	—	✓	✓	✓	—



Po- zis- yon	Donanım	AC-D	AP-D	AG-D, AF-D, AN-D	DG-CW (SPX, SP, P)	DC-TP, DC-D (SPX, SP, P)	3CS, 4CS, 3SS, 4SS, DD-M14
I	Sıkma flanşı (standart)	✓	—	✓	✓	✓	—
J	Kwik lock (H için opsiyonel)	✓	—	✓	—	✓	—
K	Germe somunu (fiber disk)	—	✓	—	—	—	—
L	Destek plakası (fiber disk)	—	✓	—	—	—	—

5 Teknik veriler

	AG 4S-22-125
Nominal gerilim	21,6 V
Ölçme devir sayısı	8.500 dev/dak
Maksimum disk çapı	125 mm
EPTA prosedürü 01 uyarınca aküsüz ağırlık	2,1 kg
Tahrik mili vida dişlisi	M14
Mil uzunluğu	22 mm
İşletim sırasındaki ortam sıcaklığı	-17 °C ... 60 °C (1 °F ... 140 °F)
Depolama sıcaklığı	-20 °C ... 70 °C (-4 °F ... 158 °F)

5.1 Akü

Akü çalışma gerilimi	21,6 V
Akü ağırlığı	Bu kullanım kılavuzunun sonuna bakınız
İşletim sırasındaki ortam sıcaklığı	-17 °C ... 60 °C (1 °F ... 140 °F)
Depolama sıcaklığı	-20 °C ... 40 °C (-4 °F ... 104 °F)
Şarj başlangıcında akü sıcaklığı	-10 °C ... 45 °C (14 °F ... 113 °F)

5.2 62841-2-3:2021 uyarınca ses bilgisi ve titreşim değerleri

Bu talimatlarda belirtilen ses basıncı ve titreşim değerleri, ilgili normlara uygun bir ölçüm metodu ile ölçülmüştür ve elektrikli el aletlerinin birbirleri ile karşılaştırılması için kullanılabilir. Zorlanmaların geçici olarak değerlendirilmesine de uygundur.

Belirtilen değerler, elektrikli el aletinin ana kullanım alanlarını temsil eder. Elektrikli el aletinin, farklı ek aletlerle veya yetersiz bakım yapılmış şekilde kullanılması durumunda, veriler sapma gösterebilir. Bu durum, toplam çalışma süresi boyunca zorlanmayı belirgin şekilde yükseltebilir.

Doğru bir zorlanma değerlendirmesi için elektrikli el aletinin kapatıldığı veya çalışır konumda olduğu ve ayrıca kullanımda olmadığı zamanlar da dikkate alınmalıdır. Bu durum, toplam çalışma süresi boyunca zorlanmayı belirgin şekilde azaltabilir.

Kullanıcıyı ses ve/veya titreşimin etkilerinden koruyacak ek güvenlik önlemleri belirleyiniz, örneğin: Elektrikli el aletinin ve ek aletlerin bakımının yapılması, ellerin sıcak tutulması, iş akışlarının düzenlenmesi.

İnce sacların veya geniş yüzey alanına sahip diğer hafif titreşimli yapıların taşlanması, belirtilen gürültü emisyon değerlerinin üzerinde gürültü emisyonuna neden olabilir. Ortaya çıkan gürültü emisyonlarını, ağır, esnek yalıtım paspasları takmak gibi ses azaltıcı önlemler olarak azaltabilirsiniz. Gürültüye maruz kalma



riskini değerlendirirken ve uygun koruyucu kulaklık seçerken, her zaman şu yüksek değerleri de göz önünde bulundurunuz.

Ses bilgileri

	AG 4S-22-125
Emisyon ses basıncı seviyesi (L_{pA})	89 dB(A)
Emniyetsizlik ses basıncı seviyesi (K_{pA})	3 dB(A)
Ses gücü seviyesi (L_{WA})	97 dB(A)
Ses gücü seviyesi için emniyetsizlik (K_{WA})	3 dB(A)

Vibrasyon bilgileri

Kesme gibi diğer kullanımlar farklı vibrasyon değerlerine neden olabilir.

		AG 4S-22-125
Üst yüzey zımparalama ($a_{n,AG}$)	B 22-55	5,1 m/sn ²
	B 22-255	5,4 m/sn ²
Emniyetsizlik (K)		1,5 m/sn ²

6 Çalışma hazırlığı

İKAZ

Yaralanma tehlikesi kazara çalışmaya başlama nedeniyle!

- ▶ Aküyü takmadan önce ilgili ürünün kapalı konumda olduğundan emin olunuz.
- ▶ Cihazın ayarlarını yapmadan veya aksesuarları değiştirmeden önce aküyü çıkartınız.

Bu dokümanda ve ürün üzerinde bulunan güvenlik ve uyarı bilgilerine dikkat ediniz.

6.1 Akünün şarj edilmesi

1. Şarj etmeden önce şarj cihazının kullanım kılavuzunu okuyunuz.
2. Akü ve şarj cihazının kontaklarının temiz ve kuru olmasına dikkat ediniz.
3. Aküyü izin verilen şarj cihazında şarj ediniz. → Sayfa 230

6.2 Akünün yerleştirilmesi

İKAZ

Yaralanma tehlikesi kısa devre veya akünün düşmesi nedeniyle!

- ▶ Aküyü yerleştirmeden önce, akü kontaklarında ve ürün içindeki kontaklarda yabancı cisim bulunmadığından emin olunuz.
- ▶ Akünün her zaman tam oturduğundan emin olunuz.

1. İlk kullanım öncesinde akü tamamen şarj edilmelidir.
2. Aküyü ürüne, duyulur şekilde yerine oturana kadar itiniz.
3. Akünün alette emniyetli bir şekilde yerleşip yerleşmediğini kontrol ediniz.

6.3 Akünün çıkartılması

1. Akünün serbest bırakma düğmelerine basın.
2. Aküyü üründen çıkartınız.

6.4 Hilti düşme emniyeti montajı (opsiyonel)



Ürün ile çalışırken, yüksek pozisyonlardaki çalışmalar için geçerli ulusal yönetmelikler mutlaka dikkate alınmalıdır.

Düşme emniyetinin kullanım kılavuzunu dikkate alınız.

1. Düşme emniyetinin her iki mandalını kıvılcım koruma levhasının üzerine yerleştiriniz.
2. Düşme emniyetini ilgili civatalarla kıvılcım koruma levhası için öngörülen deliklerden sabitleyiniz.
3. Aküyü yerleştiriniz. → Sayfa 235



6.5 Devrilme emniyeti

İKAZ

Düşen alet ve/veya aksesuar nedeniyle yaralanma tehlikesi!

- ▶ Sadece ürününüz için tavsiye edilen **Hilti** alet bağlama ipini kullanınız.
- ▶ Her kullanımdan önce alet bağlama ipinin sabitleme noktasını olası hasarlar bakımından kontrol ediniz.



Yüksekteki çalışmalar için ulusal yönetmelikleri dikkate alınız.

Bu ürün için devrilme emniyeti olarak sadece **Hilti** düşme koruması #2293133 ile **Hilti** alet kordonunun #2261970 bir kombinasyonunu kullanınız.

- ▶ Düşme emniyetini aksesuarların montaj aralıklarına sabitleyiniz. Güvenli tutuşu kontrol ediniz.
- ▶ Alet kordonunun bir karabinini düşme emniyetine ve ikinci karabinini de taşıyıcı yapıyı sabitleyiniz. Her iki karabinin de emniyetli bir şekilde sabitlenmiş olup olmadığını kontrol ediniz.



Hilti düşme emniyetinin yanı sıra **Hilti** alet kordonunun kullanım kılavuzlarını da dikkate alınız.

6.6 Yan tutamağın takılması

- ▶ Yan tutamağı öngörülen dişli kovana vidalayınız.

6.7 Koruma başlığının takılması veya sökülmesi

DİKKAT

Yaralanma tehlikesi. Ek alet sıcak veya keskin kenarlı olabilir.

- ▶ Takma, sökme, ayar çalışmaları ve arıza giderme sırasında koruyucu eldiven takınız.

- ▶ İlgili koruma başlığının montaj kılavuzuna dikkat ediniz.

6.7.1 Standart koruma başlığının monte edilmesi



Koruma başlığı, yalnızca bir ürünün ilgili koruma başlığına takılmasını garantilemek için bir kodlama noktasına sahiptir. Koruma başlığı, ürünün başlık takma yuvasındaki kodlama noktanızla çalışır.

1. Koruma başlığını, koruma başlığı ve ürün üzerindeki iki üçgen işaret karşı karşıya gelecek biçimde mil halkasına takınız.
2. Koruma başlığını mil halkasına bastırınız.
3. Muhafaza kilit açma düğmesine basınız, koruma başlığını istenen konumda yuvasına oturtana kadar bastırınız.
 - ▶ Başlık açma düğmesi geri atar.

6.7.2 Standart koruma başlığının ayarlanması

- ▶ Muhafaza kilit açma düğmesine basınız, koruma başlığını istenen konumda yuvasına oturtana kadar bastırınız.

6.7.3 Standart koruma başlığını sökülmesi

1. Koruma başlığı kilit açma düğmesine basınız, ürün ve koruma başlığı üzerindeki iki üçgen işaret birbirinin karşısına gelinceye kadar koruma başlığını döndürünüz.
2. Koruma başlığını çıkarınız.

6.8 Ön kapağın takılması veya sökülmesi



Ön kapak standart koruma kapağına takılmalıdır.



1. Ön kapağı kapalı tarafla yukarıyı gösterecek şekilde standart koruyucu başlığa takınız.
 - Kilit duyulur bir sesle yerine oturmalıdır.
2. Sökmek için ön kapağın kilidini açınız.
3. Ön kapağı standart koruyucu kapaktan sökünüz.

6.9 Ek aletin takılması veya sökülmesi

⚠ DİKKAT

Yaralanma tehlikesi. Ek alet sıcak olabilir.

- Ek aleti değiştirirken koruyucu eldiven takınız.



Elmas bıçaklar, kesme ve taşlama performanslarında belirgin düşüşler görüldüğünde değiştirilmelidir. Genellikle elmas bölümlerin yüksekliği 2 mm altına düştüğünde böyle bir durumdan söz edilebilir. Diğer disk tipleri, kesme performansında belirgin düşüşler görülmesi veya açılı taşıyıcı parçalarının (disk dışında) çalışma sırasında çalışılan malzemeye temas etmesi halinde değiştirilmelidir. Aşındırıcı diskler kullanım süreleri dolduğunda değiştirilmelidir.

6.9.1 Ek aletin takılması 9

⚠ İKAZ

Yaralanma tehlikesi. Alet motorunun frenlenmesi sırasında ek alet gevşeyebilir.

- Ek alete veya germe somununa dokunmadan önce ek aletin tamamen durmasını bekleyiniz.
- Ek aleti ve sıkma flanşını germe somunu ile sıkıca gererek alet motoru frenlendiğinde parçaların mil bağlantısının gevşememesini sağlayınız.

1. Sıkma flanşını ve germe somununu temizleyiniz.
2. Sıkma flanşındaki o-ringin mevcut ve hasarsız olup olmadığını kontrol ediniz.
 - Eksik veya hasarlı o-ringleri tamamlayınız/değiştiriniz.
3. Sıkma flanşını şekle uygun olacak ve dönmeyecek konumda mile oturtunuz.
4. Ek aleti yerleştiriniz.
5. Germe somununu yerleştirilen ek alete uygun olarak sabitleyiniz.
6. Mil ayarlama düğmesine basınız ve basılı tutunuz.
7. Sıkma anahtarı ile germe somununu sıkınız, ardından mil kilitleme düğmesini serbest bırakınız ve sıkma anahtarını çıkartınız.

6.9.2 Ek aletin sökülmesi

⚠ İKAZ

Kırılma ve zarar görme tehlikesi. Mil dönerken mil kilitleme düğmesine basılığında, ek alet gevşeyebilir.

- Mil kilitleme düğmesine sadece mil dururken basınız.
1. Mil ayarlama düğmesine basınız ve basılı tutunuz.
 2. Germe somununu yerleştirip saat yönünün tersinde döndürerek hızlı bağlantı somununu sökünüz.
 3. Mil kilitleme düğmesini serbest bırakınız ve ek aleti çıkarınız.

6.9.3 Kwik lock'ın monte edilmesi 10

⚠ İKAZ

Kırılma tehlikesi. Çok fazla aşınma durumunda **Kwik lock** hızlı bağlantı somunu kırılabilir.

- Çalışırken **Kwik lock** hızlı bağlantı somununun zemin ile temas etmemesine dikkat ediniz.
- Hasarlı hızlı bağlantı somunu **Kwik lock** kullanmayınız.



Germe somunu yerine opsiyonel olarak **Kwik lock** hızlı bağlantı somunu kullanılabilir. Böylece ek aletler ilave takım kullanılmadan değiştirilebilir.

1. Sıkma flanşını ve germe somununu temizleyiniz.
2. Sıkma flanşındaki o-ringin mevcut ve hasarsız olup olmadığını kontrol ediniz.
 - Eksik veya hasarlı o-ringleri tamamlayınız/değiştiriniz.
3. Sıkma flanşını şekle uygun olacak ve dönmeyecek konumda mile oturtunuz.



4. Ek aleti yerleştiriniz.
5. Ek alet üzerindeki yerine tamamen oturana kadar **Kwik lock** hızlı bağlantı somununu sıkınız.
 - **Kwik lock** etiketi, vidalanmış durumdayken görünür olmalıdır.
6. Mil kilitleme düğmesine basınız ve basılı tutunuz.
7. Ek aleti, hızlı bağlantı somunu **Kwik lock** sıkılıncaya kadar elinizle güçlü biçimde saat yönünde çeviriniz.
8. Mil ayarlama düğmesini serbest bırakınız.

6.9.4 **Kwik lock**'ın sökülmesi



Şayet **Kwik lock** hızlı bağlantı somunu elle sökülemiyorsa bir sıkma anahtarını hızlı bağlantı somununa yerleştiriniz ve hızlı bağlantı somununu saat yönünün tersinde döndürünüz. Asla boru anahtarı kullanmayız. Hızlı bağlantı somunu **Kwik lock** yanlış alet nedeniyle hasar görebilir.

1. Mil ayarlama düğmesine basınız.
2. Hızlı bağlantı somununu elle saat yönünün tersinde döndürerek **Kwik lock** hızlı bağlantı somununu sökünüz.
3. Mil kilitleme düğmesini serbest bırakınız ve ek aleti çıkarınız.

6.9.5 **Karot ucunun monte edilmesi 11**

1. Yan tutamağı takınız. → Sayfa 236
2. Standart koruma başlığını monte ediniz.
3. Karot ucunu yerleştiriniz ve bunu elle sıkınız.
4. Mil ayarlama düğmesine basınız ve basılı tutunuz.
5. Karot ucunu uygun bir çatal anahtar ile sıkınız.
6. Ardından mil kilitleme düğmesini serbest bırakınız ve çatal anahtarı çıkartınız.

6.9.6 **Tel fırçanın monte edilmesi 12**

1. Yan tutamağı takınız. → Sayfa 236
2. Standart koruma başlığını monte ediniz.
3. Tel fırçayı yerleştiriniz ve bunu elle sıkınız.
4. Mil ayarlama düğmesine basınız ve basılı tutunuz.
5. Tel fırçayı uygun bir çatal anahtar ile sıkınız.
6. Ardından mil kilitleme düğmesini serbest bırakınız ve çatal anahtarı çıkartınız.

6.9.7 **Fiber diskin monte edilmesi 13**

1. Yan tutamağı takınız. → Sayfa 236
2. Standart koruma başlığını monte ediniz.
3. Destek plakası ve fiber diski yerleştiriniz ve germe somununu sıkınız.
4. Mil ayarlama düğmesine basınız ve basılı tutunuz.
5. Germe somununu sıkma anahtarı ile sıkınız.
6. Ardından mil kilitleme düğmesini serbest bırakınız ve sıkma anahtarını çıkartınız.

7 **Kullanım**

7.1 **Açılması**

1. Açma / Kapama şalterinin arka bölümüne basınız.
2. Kumanda şalterini öne doğru itiniz.
 - Motor çalışıyor.
3. Açma / Kapama şalterine basınız.

7.2 **Taşlama**



İKAZ

Yaralanma tehlikesi. Ek alet aniden bloke olabilir veya takılabilir.

- Ürünü her zaman yan tutamak ile kullanınız ve ürünü her iki elinizle sabit tutunuz.

Ek aletin sıkışmasına izin vermeyiniz ve ürüne aşırı basınç uygulanmasından kaçınınız.



7.3 Kesici taşlama

- ▶ Kesici taşlama sırasında orta besleme gücüyle çalışınız ve ürünün veya kesici taşlama diskinin uçlarının kıvrılmamasına dikkat ediniz (çalışma konumu ile kesme yüzeyi arasındaki açı yakl. 90°).



Kesici taşlama diskinin en küçük kesitlere yerleştirilmesi, profillerin ve dört köşe boruların ayrılması en uygun yoldur.

7.4 Kaba zımparalama

⚠ İKAZ

Yaralanma tehlikesi. Kesici taşlama diski patlayabilir ve fırlayan parçalar yaralanmalara neden olabilir.

- ▶ Kaba zımparalama için asla kesici taşlama diskleri kullanmayınız.
- ▶ Ürünü, 5° ila 30° arasında bir yerleştirme açısıyla ve ölçülü bir basınçla ileri-geri hareket ettiriniz.
 - ▶ İş parçası çok ısınmaz, renk değiştirmez ve kanal oluşmaz.

7.5 Kapatılması

- ▶ Açma / Kapama şalterinin arka bölümüne basınız.
 - ▶ Kumanda şalteri kapalı konumuna geçer ve motor durur.

8 Bakım ve onarım

⚠ İKAZ

Takılı aküden dolayı yaralanma tehlikesi !

- ▶ Tüm bakım ve onarım çalışmalarından önce her zaman aküyü çıkarınız!

⚠ TEHLİKE

Eksik koruma izolasyonu nedeniyle elektrik çarpması. Aşırı bazı kullanım koşullarında metal işleme sırasında iletken tozlar (örneğin metal, karbon elyafı) aletin içine girebilir ve koruma izolasyonuna zarar verebilir.

- ▶ Aşırı çalışma koşullarında sabit toz emme sistemi kullanınız.
- ▶ Havalandırma deliklerini sıkça temizleyiniz.

Ürün bakımı

- Yapışmış olan kirleri dikkatle çıkartınız.
- Gövdeyi sadece hafif nemli bir temizlik bezi ile temizleyiniz. Plastik parçalara yapışabileceğinden silikon içerikli bakım maddeleri kullanmayınız.
- Ürünün üzerindeki kontak noktalarını temizlemek için temiz ve kuru bir bez kullanınız.

Lityum İyon akülerin bakımı

- Bir aküyü asla havalandırma delikleri tıkalıyken kullanmayınız. Havalandırma deliklerini kuru, yumuşak bir fırça ile dikkatlice temizleyiniz.
- Akünün gereksiz toz veya kire maruz kalmasını önleyiniz. Aküyü asla yüksek neme maruz bırakmayınız (örn. suya daldırma veya yağmurda bırakma).
Bir akü ıslandıysa, bu aküye hasarlı akü muamelesi yapınız. Yanmayan bir kabin içinde izole ediniz ve **Hilti** servisiyle irtibat kurunuz.
- Aküyü yabancı yağ ve gresten uzak tutunuz. Gereksiz toz veya kirin aküde birikmesini önleyiniz. Aküyü kuru, yumuşak bir fırça veya temiz, kuru bir bezle temizleyiniz. Plastik parçalara yapışabileceğinden silikon içerikli bakım maddeleri kullanmayınız.
Akünün kontaklarına dokunmayınız ve fabrika tarafında sürülen gresi kontaklardan temizlemeyiniz.
- Gövdeyi sadece hafif nemli bir temizlik bezi ile temizleyiniz. Plastik parçalara yapışabileceğinden silikon içerikli bakım maddeleri kullanmayınız.

Bakım

- Görünür tüm parçalarda hasar olup olmadığını ve kumanda elemanlarının sorunsuz şekilde çalışıp çalışmadığını düzenli olarak kontrol ediniz.
- Hasar ve/veya fonksiyon arızaları durumunda ürünü işletmeyiniz. Ürünü gecikmeden **Hilti** servisine tamir ettiriniz.



- Bakım ve onarım çalışmalarından sonra tüm koruma tertibatlarını yerleştiriniz ve bunların fonksiyonlarını sorunsuz olarak yerine getirmekte olup olmadıklarını kontrol ediniz.

i Güvenli çalışma için sadece orijinal yedek parçalar ve tüketim malzemeleri kullanınız. **Hilti** tarafından onaylanmış, yedek parçaları, aksesuarları ve sarf malzemelerini **Hilti Store** veya şu adreste bulabilirsiniz: www.hilti.group

9 Akülü aletlerin ve akülerin taşınması ve depolanması

Taşıma

⚠ DİKKAT

Taşıma sırasında aletin istem dışı çalışması !

- ▶ Ürünlerinizi her zaman aküler takılı olmadan taşıyınız!
- ▶ Aküleri çıkartınız.
- ▶ Aküleri kesinlikle sıkıca bağlanmamış koruma ile nakletmeyiniz. Nakliye sırasında, aküler aşırı şok ve titreşimlerden korunmalı ve başka akü kutupları ile temas ederek kısa devreye neden olmaları için, her türlü iletken malzeme veya diğer akülerden izole edilmiş olmalıdır. **Aküler için yerel taşıma talimatlarını dikkate alınız.**
- ▶ Aküler posta ile gönderilmemelidir. Hasarsız aküleri sevk etmek istemeniz halinde, bir nakliye şirketine başvurunuz.
- ▶ Ürünün ve akülerin hasar görmüş olup olmadığını her kullanımdan önce olduğu gibi uzun taşımaldan önce ve sonra kontrol ediniz.

Depolama

⚠ İKAZ

Arızalı veya akan aküler nedeniyle beklenmeyen hasar oluşumu !

- ▶ Ürünlerinizi her zaman aküleri yerleştirmeden depolayınız!
- ▶ Ürünü ve aküleri serin ve kuru bir yerde muhafaza ediniz. Teknik verilerde belirtilen sıcaklık sınır değerlerini dikkate alınız.
- ▶ Aküleri şarj cihazının üzerinde muhafaza etmeyiniz. Şarj işleminden sonra her zaman aküyü şarj cihazından çıkartınız.
- ▶ Aküleri kesinlikle güneşte, ısı kaynaklarının üzerinde veya cam arkasında muhafaza etmeyiniz.
- ▶ Ürünü ve aküleri çocukların ve yetkisiz kişilerin ulaşamayacağı yerlerde muhafaza ediniz.
- ▶ Ürünün ve akülerin hasar görmüş olup olmadığını her kullanımdan önce olduğu gibi uzun süreli depolamalardan önce ve sonra kontrol ediniz.

10 Arıza durumunda yardım

Tüm arızalarda akünün şarj durumu ve hata göstergesini dikkate alınız. Bkz. Bölüm **Lityum İyon akü göstergeleri**.

Bu tabloda listelenmemiş veya kendi başınıza gideremediğiniz arızalarda lütfen yetkili **Hilti** servisimiz ile irtibat kurunuz.

Arıza	Olası sebepler	Çözüm
Ürün açılmıyor.	Akü deşarj olmuş.	▶ Aküyü değiştiriniz ve boş aküyü şarj ediniz.
Akü normalden daha hızlı boşalıyor.	Çok düşük ortam sıcaklığı.	▶ Aküyü yavaşça oda sıcaklığına ulaşacak biçimde ısınmaya bırakınız.
Akü duyulabilir bir "klik" sesi ile yerine oturmuyor.	Akünün kilit tırnağı kirlenmiş.	▶ Tırnakları temizleyiniz ve aküyü yeniden yerine oturtunuz.
Açılı taşıyıcıda veya aküde yoğun ısı oluşması.	Elektrik arızası	▶ Ürünü derhal kapatınız, aküyü çıkartınız, gözleyiniz, soğumaya bırakınız ve Hilti servisi ile irtibat kurunuz.
	Tikalı havalandırma delikleri	▶ Havalandırma deliklerini düzenli olarak temizleyiniz.




Arıza	Olası sebepler	Çözüm
Motorda frenleme fonksiyonu yok.	Akü deşarj olmuş.	▶ Aküyü değiştiriniz ve boş aküyü şarj ediniz.
	Ürün kısa süreli olarak aşırı yüklenmiş.	▶ Ürünü kapatınız ve tekrar açınız.

11 İmha

⚠ İKAZ

Usulüne uygun olmayan imha nedeniyle yaralanma tehlikesi! Dışarı çıkan gaz ve sıvılar nedeniyle sağlık sorunları.

- ▶ Hasar görmüş aküleri hiç bir şekilde göndermeyiniz!
- ▶ Kısa devreleri önlemek için, akünün bağlantılarını iletken olmayan bir malzeme ile kapatınız.
- ▶ Aküleri, çocukların ellerine geçmeyecek şekilde imha ediniz.
- ▶ Aküyü size en yakın **Hilti Store**'da imha ediniz veya imha etmek için yetkili şirketinize başvurunuz.

 **Hilti** ürünleri yüksek oranda tekrar kullanılabilen malzemelerden üretilmiştir. Geri dönüşüm için gerekli koşul, usulüne uygun malzeme ayırımıdır. Çoğu ülkede **Hilti** eski aletlerini yeniden değerlendirmek üzere geri alır. Bu konuda **Hilti** müşteri hizmetlerinden veya satış temsilcinizden bilgi alabilirsiniz.



- ▶ Elektrikli el aletlerini, elektronik cihazları ve aküleri evdeki çöplere atmayınız!

12 Üretici garantisi

- ▶ Garanti koşullarına ilişkin sorularınız için lütfen yerel **Hilti** iş ortağınıza başvurunuz.

13 Diğer bilgiler


Kullanım, teknoloji, çevre ve geri dönüşüm hakkında daha fazla bilgi aşağıdaki bağlantıda bulunabilir: qr.hilti.com/manual/?id=2252233&id=2252235&id=2251374

Bu bağlantıya dokümanın sonunda bulunan QR kodu taratarak da ulaşabilirsiniz.



1 بيانات بخصوص دليل الاستعمال

1.1 خاص بدليل الاستعمال هذا

- **تحذير!** قبل أن تستخدم المنتج، تأكد أنك قد قرأت واستوعبت دليل الاستعمال المرفق مع المنتج، بما في ذلك الإرشادات وتعليمات السلامة والتحذير والصور والمواصفات. تعرف بصفة خاصة على جميع الإرشادات وتعليمات السلامة والتحذير والصور والمواصفات وكذلك المكونات والوظائف. في حالة عدم مراعاة ذلك، يكون هناك خطر حدوث صعق كهربائي أو نشوب حريق و/أو وقوع إصابات بالغة. احتفظ بدليل الاستعمال شاملاً جميع الإرشادات وتعليمات السلامة والتحذير للاستخدام اللاحق.
- منتجات **HILTI** مصممة للمستخدمين المحترفين ويقتصر استعمالها وصيانتها وإصلاحها على الأشخاص المعتمدين والمدربين جيداً. هؤلاء الأشخاص يجب أن يكونوا قد تلقوا تدريباً خاصاً على الأخطار الطارئة. قد يتسبب الجهاز وأدواته المساعدة في حدوث أخطار إذا تم التعامل معها بشكل غير سليم فنياً من قبل أشخاص غير مدربين أو تم استخدامها بشكل غير مطابق للتعليمات.
- دليل الاستعمال المرفق يتطابق مع الوضع الحالي للتقنية وقت الطباعة. يمكنك دائماً العثور على الإصدار أونلاين على صفحة المنتج Hilti. ولهذا الغرض، اتبع الرابط أو كود QR في دليل الاستعمال هذا والمميز بالرمز .
- لا يجوز تسليم المنتج إلى أي شخص إلا مع دليل الاستعمال هذا.

2.1 شرح العلامات

1.2.1 إرشادات تحذيرية

تنبه الإرشادات التحذيرية إلى الأخطار الناشئة عند التعامل مع الجهاز. يتم استخدام الكلمات الدليلية التالية:

خطر 

خطر!

◀ تشير لخطر مباشر يؤدي لإصابات جسدية خطيرة أو إلى الوفاة.

تحذير 

تحذير!

◀ تشير لخطر محتمل قد يؤدي لإصابات جسدية خطيرة أو إلى الوفاة.





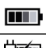

احترس! 

احترس!

◀ تشير لموقف خطر محتمل يمكن أن يؤدي لإصابات جسدية أو أضرار مادية.

2.2.1 الرموز في دليل الاستعمال

يتم استخدام الرموز التالية في دليل الاستعمال هذا:

	يراعى دليل الاستعمال
	إرشادات الاستخدام ومعلومات أخرى مفيدة
	التعامل مع مواد قابلة لإعادة التدوير
	لا تتخلص من الأجهزة الكهربائية البطاريات ضمن القمامة المنزلية
	Hilti بطارية أيونات الليثيوم
	Hilti جهاز الشحن

3.2.1 الرموز في الصور

تستخدم الرموز التالية في الرسوم التوضيحية:



2	تشير هذه الأعداد إلى الصورة المعنية في بداية دليل الاستعمال هذا.
3	ترقيم الصور يمثل ترتيب خطوات العمل في الصور، وقد يختلف عن ترقيم خطوات العمل في النص.
11	يتم استخدام أرقام المواضع في صورة العرض العام وهي تشير إلى أرقام تعليق الصورة في فصل عرض عام للمنتج.
	هذه العلامة من شأنها أن تُثير انتباهك جيداً عند التعامل مع المنتج.

3.1 الرموز المرتبطة بالمنتج

1.3.1 الرموز على المنتج

قد تكون الرموز التالية مستخدمة على المنتج:

	استخدم نظارة واقية للعينين
n_0	عدد اللغات الاسمي في الوضع المحايد
/min	عدد اللغات في الدقيقة
RPM	عدد اللغات في الدقيقة
\varnothing	القطر
==	تيار مستمر
	لا تقم بإجراء أعمال القطع باستخدام الغطاء القياسي.
	قم بإجراء الأعمال بكلتا يديك دائماً.
	يدعم المنتج تقنية NFC المتوافقة مع أنظمة التشغيل iOS و Android.
Li-Ion	بطارية أيونات الليثيوم
	لا تستخدم البطارية أبداً كمطرقة.
	لا تدع البطارية تسقط. لا تستخدم بطارية تعرضت لصدمات أو أي نوع آخر من التلفيات.

4.1 معلومات المنتج

منتجات **HILTI** مصممة للمستخدمين المحترفين ويقصر استعمالها وصيانتها وإصلاحها على الأشخاص المعتمدين والمدربين جيداً. هؤلاء الأشخاص يجب أن يكونوا قد تلقوا تدريباً خاصاً على الأخطار الطارئة. قد يتسبب الجهاز وأدواته المساعدة في حدوث أخطار إذا تم التعامل معها بشكل غير سليم فنياً من قبل أشخاص غير مدربين أو تم استخدامها بشكل غير مطابق للتعليمات. يوجد مسمى الطراز والرقم المسلسل على لوحة الصنع.

◀ انقل الرقم المسلسل في الجدول التالي. ستحتاج إلى بيانات المنتج في حالة الاستفسارات الموجهة إلى ممثلينا أو مركز الخدمة.

بيانات الجهاز

AG 4S-22-125	مجلخة زاوية عاملة بالبطارية
02	الجيل
	الرقم المسلسل

5.1 بيان المطابقة

تعلم الجهة الصانعة على مسؤوليتها وحدها بأن المنتج المشروح هنا يتوافق مع التشريعات والمعايير المعمول بها. تجد صورة لبيان المطابقة في نهاية هذا المستند.



2 السلامة

1.2 إرشادات السلامة العامة المتعلقة بالأدوات الكهربائية

⚠ تحذير احرص على قراءة جميع إرشادات السلامة، التوجيهات، الصور التوضيحية والموصفات الفنية المرفقة مع هذه الأداة الكهربائية. أي تقصير أو إهمال في الالتزام بالتعليمات التالية قد يتسبب في حدوث صعق كهربائي، نشوب حريق و/أو وقوع إصابات خطيرة.

احتفظ بجميع مستندات إرشادات السلامة والتعليمات لاستخدامها عند الحاجة إليها فيما بعد.

يقصد بمصطلح «الأداة الكهربائية» المذكور في إرشادات السلامة الأدوات الكهربائية المشغلة بالكهرباء (باستخدام كابل الكهرباء) أو الأدوات الكهربائية المشغلة بالبطاريات (بدون كابل الكهرباء).

سلامة مكان العمل

- ◀ حافظ على نطاق عملك نظيفاً ومضاءً بشكل جيد. الفوضى أو أماكن العمل غير المضاءة يمكن أن تؤدي لوقوع حوادث.
- ◀ لا تعمل بالأداة الكهربائية في محيط معرض لخطر الانفجار يتواجد به سوائل أو غازات أو أنواع غبار قابلة للاشتعال. الأدوات الكهربائية تولد شرراً يمكن أن يؤدي لإشعال الغبار والأبخرة.
- ◀ احرص على إبعاد الأطفال والأشخاص الآخرين أثناء استخدام الأداة الكهربائية. في حالة انصراف انتباهك قد تفقد السيطرة على الجهاز.

السلامة الكهربائية

- ◀ يجب أن يكون قابس توصيل الأداة الكهربائية متلائماً مع المقبس. لا يجوز تعديل القابس بأي حال من الأحوال. لا تستخدم قوايس مهايأة مع أدوات كهربائية ذات وصلة أرضي محمية. القوايس غير المعدلة والمقاييس الملائمة تقلل من خطر حدوث صدمة كهربائية.
- ◀ تجنب حدوث تلامس للجسم مع أسطح مؤرضة مثل الأسطح الخاصة بالمواسير وأجهزة التدفئة والمواقد والثلاجات. ينشأ خطر متزايد من حدوث صدمة كهربائية عندما يكون جسمك متصلاً بالأرض.
- ◀ أبعد الأدوات الكهربائية عن الأمطار أو البلل. تسرب الماء إلى داخل الأداة الكهربائية يزيد من خطر حدوث صدمة كهربائية.
- ◀ لا تستخدم كابل التوصيل لحمل الأداة الكهربائية أو تعليقها أو لسحب القابس من المقبس. احتفظ بكابل التوصيل بعيداً عن السخونة والزيت والمواف الحادة والأجزاء المتحركة. كابلات التوصيل التالفة أو المتشابهة تزيد من خطر حدوث صعق كهربائي.
- ◀ عندما تعمل بأداة كهربائية في مكان مكشوف، فلا تستخدم سوى كابلات الإطالة المناسبة للعمل في النطاق الخارجي. استخدام كابل إطالة مناسب للعمل في النطاق الخارجي يقلل من خطر حدوث صعق كهربائي.
- ◀ إذا تعذر تجنب تشغيل الأداة الكهربائية في محيط رطب، فاستخدم مفتاح حماية من تسرب التيار. استخدام مفتاح الحماية من تسرب التيار يقلل خطر حدوث صدمة كهربائية.

سلامة الأشخاص

- ◀ كن يقظاً وانتبه لما تفعل وتعامل مع الأداة الكهربائية بتعقل عند العمل بها. لا تستخدم الأداة الكهربائية عندما تكون متعباً أو تحت تأثير المخدرات أو الكحوليات أو العقاقير. فقد يتسبب عدم الانتباه للحظة واحدة أثناء الاستخدام في حدوث إصابات بالغة.
- ◀ ارتد تجهيزات وقاية شخصية وارتد دائماً نظارة واقية. ارتداء تجهيزات وقاية شخصية، مثل قناع الوقاية من الغبار وأحذية الأمان المضادة للانزلاق وخوذة الوقاية أو واقى السمع، تبعاً لنوع واستخدام الأداة الكهربائية، يقلل من خطر الإصابات.
- ◀ تجنب التشغيل بشكل غير مقصود. تأكد أن الأداة الكهربائية مطفأة قبل توصيلها بالكهرباء و/أو بالبطارية وقبل رفعها أو حملها. إذا كان إصبعك على المفتاح عند حمل الأداة الكهربائية أو كان الجهاز في وضع التشغيل عند التوصيل بالكهرباء، فقد يؤدي ذلك لوقوع حوادث.
- ◀ أبعد أدوات الضبط أو مفاتيح ربط البراغي قبل تشغيل الأداة الكهربائية. الأداة أو المفتاح المتواجد في جزء دوار من الجهاز يمكن أن يؤدي لحدوث إصابات.
- ◀ تجنب اتخاذ وضع غير طبيعي للجسم. احرص على أن تكون واقفاً بأمان وحافظ على توازنك في جميع الأوقات. من خلال ذلك تستطيع السيطرة على الأداة الكهربائية بشكل أفضل في المواقف المفاجئة.
- ◀ ارتد ملابس مناسبة. لا ترتد ملابس فضفاضة أو حلي. احرص على أن يكون الشعر والملابس والقفايزات بعيدة عن الأجزاء المتحركة. الملابس الفضفاضة أو الحلي أو الشعر الطويل يمكن أن تشبك في الأجزاء المتحركة.



- ◀ إذا أمكن تركيب تجهيزات شفط وتجميع الغبار، فتأكد أنها موصلة ومستخدمة بشكل سليم. استخدام تجهيزة شفط الغبار يمكن أن يقلل الأخطار الناتجة عن الغبار.
- ◀ لا تعتقد بأنك في مأمن عن الخطر ولا تتجاهل تشريعات السلامة المعنية للأدوات الكهربائية، حتى وإن كنت على دراية بالأداة الكهربائية بعد تكرار استخدامها. التعامل مع الجهاز بدون حذر قد يؤدي إلى وقوع إصابات بالغة في جزء من الثانية.

استخدام الأداة الكهربائية والتعامل معها

- ◀ لا تفرط في التحميل على الجهاز. استخدم الأداة الكهربائية المناسبة للعمل الذي تقوم به. استخدام الأداة الكهربائية المناسبة يتبع لك العمل بشكل أفضل وأكثر أماناً في نطاق العمل المقرر.
- ◀ لا تستخدم أداة كهربائية ذات مفتاح تلف. الأداة الكهربائية التي لم يعد يمكن تشغيلها أو إطفائها تمثل خطورة ويجب إصلاحها.
- ◀ اسحب القابس من المقبس و/أو اخلع البطارية القابلة للخلع من الجهاز قبل إجراء عمليات الضبط، أو استبدال أجزاء الملحقات أو عند ترك الجهاز. هذا الإجراء الوقائي يمنع بدء تشغيل الأداة الكهربائية دون قصد.
- ◀ احتفظ بالأدوات الكهربائية غير المستخدمة بعيداً عن متناول الأطفال. لا تسمح باستخدام الجهاز من قبل أشخاص ليسوا على دراية به أو لم يقرأوا هذه التعليمات. الأدوات الكهربائية خطيرة في حالة استخدامها من قبل أشخاص ليست لديهم الخبرة الواجبة.
- ◀ اعتني جيداً بالأدوات الكهربائية والملحقات. افحص الأجزاء المتحركة من حيث أداؤها لوظيفتها بدون مشاكل وعدم انحصارها وافحصها من حيث وجود أجزاء مكسورة أو متعرضة للضرر يمكن أن تؤثر سلباً على وظيفة الأداة الكهربائية. اعمل على إصلاح الأجزاء التالفة قبل استخدام الجهاز. الكثير من الحوادث مصدرها الأدوات الكهربائية التي تم صيانتها بشكل رديء.
- ◀ حافظ على أدوات القطع حادة ونظيفة. تتميز أدوات القطع ذات حواف القطع المادة المعتنى بها بدقة بأنها أقل عرضة للتعثّر وأسهل في التعامل.
- ◀ استخدم الأداة الكهربائية والملحقات وأدوات العمل وخلافه طبقاً لهذه التعليمات. احرص في هذه الأثناء على مراعاة اشتراطات العمل والمهمة المراد تنفيذها. استخدام الأدوات الكهربائية في تطبيقات غير تلك المقررة لها يمكن أن يؤدي لمواقف خطيرة.
- ◀ حافظ على المقابض ومواضع المسك في حالة جافة ونظيفة وخالية من الزيت والشحم. المقابض ومواضع المسك الانزلاقية تحول دون استعمال الأداة الكهربائية والتحكم بها بشكل آمن في المواقف غير المتوقعة.

استخدام الأداة العاملة بالبطارية والتعامل معها

- ◀ لا تشحن البطارية إلا في أجهزة شحن موصى بها من قبل الجهة الصانعة. بالنسبة لجهاز الشحن المناسب لنوع معين من البطاريات، ينشأ خطر الحريق عند استخدامه مع بطاريات أخرى.
- ◀ لا تضع في الأدوات الكهربائية سوى البطاريات المخصصة لها. استخدام بطاريات أخرى يمكن أن يؤدي لوقوع إصابات وخطر الحريق.
- ◀ أبعد البطارية غير المستخدمة عن مشابك الورق وقطع النقود المعدنية والمفاتيح والمسامير والبراغي أو الأشياء المعدنية الصغيرة الأخرى التي يمكن أن تتسبب في توصيل الملامسين لبعضهما. حدوث قفلة كهربائية بين أطراف توصيل البطارية يمكن أن ينتج عنه حدوث حروق أو نشوب حريق.
- ◀ عند الاستخدام بشكل خاطئ يمكن أن يتسرب سائل من البطارية. تجنب ملامسته. اشطفه بالماء في حالة ملامسته عن طريق الخطأ. إذا وصل السائل للعينين، فتوجه للطبيب علاوة على ذلك. سائل البطارية المتسرب يمكن أن يؤدي لتيجح البشرة أو حدوث حروق.
- ◀ لا تستخدم بطارية تالفة أو مختلفة. البطاريات التالفة أو المختلفة قد تتفاعل مع نفسها بشكل غير متوقع مما يؤدي لنشوب حريق أو حدوث انفجار أو وقوع إصابات.
- ◀ لا تعرض البطارية للنار أو لدرجات حرارة مرتفعة للغاية. حيث قد تؤدي النار ودرجات الحرارة الزائدة عن 130 م° (265 ف°) إلى حدوث انفجار.
- ◀ التزم بكافة التعليمات المعنية بالشحن، ولا تقم أبداً بشحن البطارية أو الأداة العاملة بالبطارية خارج نطاق درجة الحرارة الوارد ذكره في دليل التشغيل. الشحن بشكل خاطئ أو خارج نطاق درجة الحرارة المسموح به قد يتلف البطارية ويزيد من خطر الحريق.

الخدمة

- ◀ اعمل على إصلاح أدواتك الكهربائية على أيدي فنيين معتمدين فقط والاقصرار على استخدام قطع الغيار الأصلية. وبذلك تتأكد من الحفاظ على سلامة الجهاز.
- ◀ لا تقم أبداً بصيانة البطاريات التالفة. يجب أن تتم جميع أعمال الصيانة بمعرفة الجهة الصانعة فقط أو من خلال مراكز خدمة العملاء المعتمدين.



إرشادات السلامة العامة المتعلقة بأعمال التجليخ والتجليخ بألواح السنفرة الورقية والعمل بالفرشات السلكية والتلميع والقطع السحجي:

- تستخدم هذه الأداة الكهربائية كمجلفة ومجلفة بألواح السنفرة الورقية وفرشاة سلكية وأداة صقل وقاطع ثقب ومجلفة قطع. احرص على مراعاة جميع إرشادات السلامة والتعليمات والرسومات والبيانات المرفقة مع الجهاز. وإذا لم تراعى التعليمات التالية، فمن الممكن أن تحدث صدمة كهربائية أو ينشب حريق و/أو تتعرض لإصابات بالغة.
- لا تقم بتعديل هذه الأداة الكهربائية لكي تعمل بطريقة تختلف عن الطريقة التي قامت الجهة الصانعة بتصميم وتحديد الأداة خصيصاً من أجلها. وقد يتسبب مثل هذا التعديل في فقدان السيطرة على الأداة ووقوع أضرار بالغة بالأشخاص.
- لا تستخدم ملحق لم تقم الجهة الصانعة بتطويره والتصريح باستخدامه خصيصاً لهذه الأداة الكهربائية. وليس معنى تمكنك من تثبيت الملحق بأداتك الكهربائية ضمان استخدامه بشكل آمن.
- يجب ألا يقل عدد اللفات المسموح به لأداة الشغل عن عدد اللفات الأقصى المدون على الأداة الكهربائية. فالملحق الذي يدور بسرعة أكبر من السرعة المسموح بها يمكن أن ينكسر ويتطاير في النطاق المحيط.
- يجب أن يتطابق القطر الخارجي والسمك لأداة الشغل مع مقاسات الأداة الكهربائية الخاصة بك. حيث إن أدوات الشغل ذات المقاسات الفاطنة لا يمكن تأمينها بشكل كاف أو السيطرة عليها.
- أدوات الشغل ذات الوليعة اللولبية يجب أن تناسب لولب بريمة التجليخ تماما. في حالة أدوات الشغل التي يتم تركيبها بواسطة فلانشة يجب أن يناسب قطر ثقب أداة الشغل قطر مبيت الفلانشة. أدوات الشغل غير المثبتة بشكل مضبوط في الأداة الكهربائية تدور بشكل غير متوازن وتبتر بقوة وقد تتسبب في فقدان السيطرة.
- لا تستخدم أدوات شغل تالفة. افحص أدوات الشغل قبل كل استخدام، مثلاً أسطوانات التجليخ من حيث وجود تصدعات وتشققات، وحصون التجليخ من حيث وجود تشققات أو بري أو تآكل شديد، والفرشات السلكية من حيث وجود أسلاك سائبة أو مكسورة. إذا تعرضت الأداة الكهربائية أو أداة الشغل للسقوط، فتأكد من عدم حدوث أية أضرار أو استخدام أداة شغل ليست بها أضرار. بعد أن تقوم بفحص أداة الشغل وتركيبها ابتعد أنت والأشخاص الموجودين بالقرب من الجهاز عن نطاق دوران أداة الشغل ودع الجهاز يدور بأقصى عدد لفات لمدة دقيقة واحدة. وغالبا ما تنكسر أدوات الشغل المتضررة خلال مدة الاختبار هذه.
- ارتد تجهيزات الحماية الشخصية. استعمل تبعا للأعمال التي يتم القيام بها قناعا واقيا للوجه بالكامل أو واقيا للعينين أو نظارة واقية. وبقدر الإمكان احرص على ارتداء كمامة واقية من الغبار أو واقية للذنين أو قفازا واقيا أو منزرا خاصا يفيك من جزينات التجليخ وجزينات اللامات. ينبغي حماية العينين من الأجسام الغريبة المتطايرة التي تنتج في مختلف الاستخدامات. فمن شأن الكمامة الواقية من الغبار أو الكمامة الواقية للتنفس فلترة الغبار الناتج أثناء الاستخدام. إذا تعرضت لضوء عالٍ لمدة طويلة يمكن أن تُصاب بفقدان للسمع.
- في حالة وجود أشخاص آخرين احرص على توأجدهم على مسافة آمنة من نطاق عملك. ويجب على كل من يدخل في نطاق عملك أن يرتدي تجهيزات الحماية الشخصية. فقد تتطاير شظايا من قطعة الشغل وأجزاء مكسورة من الأدوات المستخدمة وتتسبب في وقوع إصابات، حتى خارج نطاق عملك المباشر.
- عند إجراء أعمال يحتمل فيها أن تتلامس الأداة الكهربائية مع أسلاك كهربائية مخفية، فأمسك الأداة الكهربائية من مواضع المسك المعزولة فقط. حيث أن ملامسة سلك يسري فيه التيار الكهربائي يمكن أن ينقل الجهد الكهربائي للأجزاء المعدنية بالجهاز ويؤدي لحدوث صدمة كهربائية.
- لا تضع الأداة الكهربائية أبدا على سطح ارتكاز قبل أن تتوقف أداة الشغل تماما. فأداة الشغل الدوارة يمكن أن تصل إلى سطح الارتكاز مما قد يتسبب في فقدان السيطرة على الأداة الكهربائية.
- لا تترك الأداة الكهربائية دائرة أثناء حملك لها. فمن الممكن أن تشتبك ملابسك مع أداة الشغل الدوارة من خلال التلامس غير المتوقع ومن ثم تتسبب أداة الشغل في جروح غائرة بجسدك.
- قم بتنظيف فتحات التهوية بالأداة الكهربائية بصفة منتظمة. تسحب مروحة الموتور الغبار إلى جسم الجهاز، ويمكن أن يتسبب التراكم الشديد للغبار المعدني في حدوث أخطار كهربائية.
- لا تستخدم الأداة الكهربائية بالقرب من مواد قابلة للاشتعال. فالشرر يمكن أن يشعل هذه المواد.
- لا تستخدم أدوات شغل تتطلب استخدام سوائل تبريد معها. استخدام الماء أو أية سوائل تبريد أخرى يمكن أن يعرضك لصعقة كهربائية.



الحركة الارتدادية وإرشادات السلامة المعنية

الحركة الارتدادية هي رد فعل مفاجئ بسبب تعثر أو إعاقة أداة الشغل الدوارة، مثل أسطوانة التجليل وضمن التجليل والفرشاة السلكية وخلافه، حيث إن التعثر أو الإعاقة يؤدي إلى التوقف المفاجئ لأداة الشغل الدوارة. وبالتالي فإن الأداة الكهربائية غير المكمومة جيدا تزداد سرعتها في عكس اتجاه دوران أداة الشغل عند موضع الإعاقة.

فعلى سبيل المثال إذا تعثرت أسطوانة تجليل بشيء ما أو تعرض لإعاقة في قطعة الشغل، يمكن أن تنحصر حافة أسطوانة التجليل المتوغلة في قطعة الشغل مما يتسبب في انحراف أسطوانة التجليل أو حدوث حركة ارتدادية. وعندئذ تتحرك أسطوانة التجليل نحو المستخدم أو بعيدا عنه تبعا لاتجاه دوران الأسطوانة في موضع الإعاقة. ويمكن أيضا أن تنكسر أسطوانات التجليل في تلك الأثناء.

تحدث الحركة الارتدادية نتيجة للاستخدام الخاطيء أو غير السليم للأداة الكهربائية. ويمكن تجنب حدوث ذلك من خلال اتباع إجراءات الوقاية المناسبة، كما سيتم شرحه فيما يلي.

- ◀ **أمسك الأداة الكهربائية بكلتا يديك جيدا واحرص على أن يكون جسدك وذراعيك في وضع يمكنك من كبح القوى الارتدادية.** استخدم دائما المقبض الإضافي في حالة وجوده، لتحقيق أقصى سيطرة ممكنة على القوى الارتدادية أو عزم رد الفعل أثناء الدوران السريع. ويستطيع المستخدم السيطرة على القوى الارتدادية ورد الفعل من خلال اتباع إجراءات الوقاية المناسبة.
- ◀ **لا تضع يدك أبدا بالقرب من أدوات الشغل الدوارة.** حيث يمكن أن تتحرك أداة الشغل على يديك في حالة حدوث حركة ارتدادية.
- ◀ **أبعد جسدك عن نطاق حركة الأداة الكهربائية في حالة حدوث حركة ارتدادية.** حيث إن الحركة الارتدادية تدفع الأداة الكهربائية في اتجاه معاكس لمركبة أسطوانة التجليل عند موضع الإعاقة.
- ◀ **احرص على توخي الحذر الشديد عند العمل في نطاق الأركان والحواف الحادة وخلافه، وتجنب تعرض أدوات الشغل للارتداد أو الانصرام من خلال قطعة الشغل.** تميل أداة الشغل الدوارة إلى الانصرام عند العمل في الأركان أو الحواف الحادة أو عندما ترتد. ويتسبب ذلك في فقدان السيطرة أو حدوث حركة ارتدادية.
- ◀ **لا تستخدم شفرة منشار سلسلة أو مسنن أو أسطوانة ماسية ذات قطاعات بشقوق يزيد عرضها على 10 مم.** فمثل هذه الأدوات كثيرا ما تتسبب في حدوث حركة ارتدادية أو فقدان السيطرة على الأداة الكهربائية.

إرشادات السلامة الخاصة المتعلقة بالتجليل والقطع السحجي:

- ◀ **اقتصر على استخدام أدوات التجليل المسموح بها لأداتك الكهربائية والغطاء الواقي المخصص لأداة التجليل هذه.** أدوات التجليل غير المقرر استخدامها مع هذه الأداة الكهربائية لا يمكن تأمينها بشكل كاف ومن ثم تصبح غير آمنة.
- ◀ **أسطوانات التجليل المائلة يجب تركيبها بحيث لا يبرز سطح التجليل عن مستوى حافة غطاء الحماية.** في حالة تركيب أسطوانة التجليل بشكل غير صحيح، بحيث تبرز عن مستوى حافة غطاء الحماية فلا يمكن توفير الحماية بشكل كاف.
- ◀ **يجب تركيب الغطاء الواقي على الأداة الكهربائية بإحكام كما يجب ضبطه ليوفر أقصى درجات السلامة، بحيث لا ينكشف للمستخدم إلا أصغر جزء ممكن من جسم التجليل.** يُسهم الغطاء الواقي في حماية المستخدم من الشظايا المتطايرة أو ملامسة جسم التجليل بشكل غير مقصود وكذلك حمايته من الشر الذي يمكن أن يهراق ملبسه.
- ◀ **يجوز استخدام أدوات التجليل فقط لأغراض الاستخدام المصريح بها.** مثل: لا تقم أبدا بالتجليل باستخدام السطح الجانبي لأسطوانة قطع. فأسطوانات القطع مخصصة لقطع المواد باستخدام حافة الأسطوانة. ويمكن أن يؤدي تأثير القوى الجانبية الواقع على أداة التجليل هذه إلى انكسارها.
- ◀ **استخدم دائما فلانشة شد غير تالفة بالمقاس والشكل المناسب لأسطوانة التجليل التي اخترتها.** إذ أن الفلانشات المناسبة تدعم أسطوانة التجليل وتقلل بذلك من خطر تعرض أسطوانة التجليل للكسر. يمكن أن تفتل الفلانشات المخصصة لأسطوانات القطع عن الفلانشات المخصصة لأسطوانات التجليل الأخرى.
- ◀ **لا تستخدم أسطوانات التجليل المستهلكة الخاصة بأدوات كهربائية كبيرة نسبيا.** فأسطوانات التجليل الخاصة بالأدوات الكهربائية الكبيرة نسبيا غير مصممة للعمل بعدد اللفات الأعلى للأدوات الكهربائية الصغيرة نسبيا ويمكن أن تنكسر.
- ◀ **استخدم دائما الغطاء الواقي المخصص لغرض الاستخدام المعني عند استخدام أدوات التجليل التي يمكن استخدامها مرتين.** قد يؤدي استخدام غطاء واقفي خاطيء إلى توفير وقاية غير كافية، مما قد يؤدي إلى حدوث إصابات خطيرة.



المزيد من إرشادات السلامة الخاصة المتعلقة بالقطع السحجي:

- ◀ تجنب حدوث إعاقة لأسطوانة القطع أو الضغط على الجهاز بقوة زائدة للغاية. لا تقم بعمل قطع غائرة بشكل زائد، حيث إن التحميل الزائد على أسطوانة القطع يزيد من درجة الإجهاد الواقع عليها ومن قابليتها للانحراف أو الإعاقة وبالتالي إمكانية حدوث حركة ارتدادية أو انكسار أداة التجليخ.
- ◀ تجنب النطاق الموجود أمام وخلف أسطوانة القطع الدوارة. إذا أبعدت أسطوانة القطع المتوغلة في قطعة الشغل، فمن الممكن في حالة حدوث حركة ارتدادية أن تنزلق الأداة الكهربائية مع الأسطوانة الدوارة نحو مباشرة.
- ◀ إذا تعرضت أسطوانة القطع للانحصار أو توقفت عن العمل، فأوقف الجهاز واحتفظ به في وضع متزن، إلى أن تتوقف الأسطوانة تماما. ولا تحاول أبدا سحب أسطوانة القطع المستمرة في الدوران من موضع القطع، وإلا فقد تحدث حركة ارتدادية. حدد سبب الانحصار وتغلب عليه.
- ◀ لا تقم بإعادة تشغيل الأداة الكهربائية طالما أنها موجودة في قطعة الشغل. احرص على أن تصل أسطوانة القطع إلى أقصى عدد لفات لها أولا قبل أن تواصل القطع بحرص، وإلا فمن الممكن أن تتعثر الأسطوانة بعائق ما وتندفع من قطعة الشغل أو تتسبب في حدوث حركة ارتدادية.
- ◀ قم بتدعيم الألواح أو قطع الشغل الكبيرة للحد من خطر حدوث حركة ارتدادية من جراء انحصار أسطوانة القطع. قطع الشغل الكبيرة يمكن أن تتعرض للانثناء بفعل وزنها الذاتي. يجب تدعيم قطعة الشغل على كلا جانبي الأسطوانة وكذلك بالقرب من موضع القطع والمافة.
- ◀ احرص على توخي الحذر الشديد عند عمل «قطع غاطسة» في الجدران القائمة أو النطاقات الأخرى الكامنة. حيث يمكن أن تتسبب أسطوانة القطع المتوغلة في حدوث حركة ارتدادية عند القطع في مواسير الغاز أو المياه أو الوصلات الكهربائية أو الأجسام الأخرى.
- ◀ لا تحاول قطع أجسام منحنية، حيث إن التحميل الزائد على أسطوانة القطع يزيد من درجة الإجهاد الواقع عليها ومن قابليتها للانحراف أو الإعاقة وبالتالي إمكانية حدوث حركة ارتدادية أو انكسار أداة التجليخ، مما قد يؤدي إلى حدوث إصابات خطيرة.

إرشادات السلامة الخاصة المتعلقة بالتجليخ بألواح السنفرة الورقية:

- ◀ اقتصِر على استخدام ألواح سنفرة ذات المقاس المناسب. احرص على اتباع تعليمات الجهة الصانعة بخصوص مقاس لوح السنفرة. فألواح السنفرة التي تبرز عن صحن التجليخ يمكن أن تتسبب في وقوع إصابات أو تؤدي إلى تعثرها أو انكسارها أو ارتدادها.
- ◀ إرشادات السلامة الخاصة المتعلقة بالتلميع:
- ◀ لا تترك أجزاء سائبة في غطاء التلميع خاصة أشربة التثبيت. قم بتخزين أو تقصير أشربة التثبيت. فقد تتشبك أشربة التثبيت السائبة أو الدائرة مع المعدة في أصبعك أو تنحصر في عدة الشغل.
- ◀ إرشادات السلامة الخاصة المتعلقة بالعمل بالفرشات السلكية:
- ◀ يراعى أن الفرشات السلكية تفقد أيضا عددا من الأسلاك أثناء الاستخدام العادي. لا تقم بزيادة التمثيل على الأسلاك من خلال الضغط على الجهاز بقوة زائدة للغاية. الأسلاك المتطايرة يمكن أن تخترق الملابس الرقيقة و/أو الجلد بسهولة.
- ◀ إذا كان استخدام غطاء واقٍ أمرا لازما، فتجنب أية إمكانية لحدوث تلامس بين الغطاء الواقي والفرشة السلكية. الفرشات الصحنية والقدمية قد يزيد قطرهما من خلال الضغط على الجهاز وقوى الطرد المركزي.

3.2 إرشادات إضافية للسلامة

سلامة الأشخاص

- ◀ اقتصِر على استخدام المنتج والملحق وهما في حالة سليمة من الناحية الفنية.
- ◀ لا تقم أبدا بإجراء أية تدخلات أو تغييرات على المنتج أو الملحق.
- ◀ أمسك الجهاز دائما بكلتا اليدين من المقابض المخصصة لذلك. حافظ على المقابض جافة ونظيفة وخالية من الزيت والشحم.
- ◀ إذا تم تشغيل المنتج دون استخدام شفاط للغبار، فإنه يجب استخدام واقٍ خفيف للتنفس عند إجراء أعمال يتولد عنها غبار.
- ◀ خذ قسطا من الراحة بشكل متكرر وقم بتمارين استرخاء لسريان الدم في الأصابع بشكل أفضل. عند القيام بأعمال لفترات طويلة، فقد تحدث اضطرابات في الأوعية الدموية أو الجهاز العصبي بسبب كثرة الاهتزازات على الأصابع أو الأيدي أو المعصم اليد.
- ◀ تجنب ملامسة الأجزاء الدوارة. لا تقم بتشغيل المنتج إلا في نطاق العمل. ملامسة الأجزاء الدوارة، وخصوصا الأدوات الدوارة، يمكن أن يؤدي لحدوث إصابات.
- ◀ انتظر حتى يتوقف المنتج تماما قبل تخزينه.



- المنتج غير مخصص للاستخدام من قبل الأشخاص ذوي البنية الضعيفة دون تدريبهم. احفظ المنتج بعيداً عن متناول الأطفال.
- يمكن أن يحتوي الغبار الناتج عن التجليخ والسفرفة والقطع والثقب على مواد كيميائية خطيرة. بعض الأمثلة: الرصاص أو الدهانات التي تحتوي على الرصاص، القرميد والفرسانة ومنتجات البناء الأخرى وأحجار البناء الطبيعية والمنتجات الأخرى المحتوية على السيليكات، بعض الأخشاب مثل البلوط والزنان والأخشاب المعالجة كيميائياً، الألبستوس أو الحامات المحتوية على الألبستوس. قم بتحديد مدى تعرض المستخدم والأشخاص المحيطين لفئة خطر الحامات التي يجري العمل عليها. اتخذ التدابير اللازمة للحفاظ على مدى التعرض في مستوى آمن، على سبيل المثال، استخدام نظام تجميع الغبار أو ارتداء كمادة مناسبة للتنفس. تشمل التدابير العامة للحد من مدى التعرض ما يلي:

- العمل في نطاق جيد التهوية،
- تجنب ملامسة الغبار لفترة طويلة،
- إزالة الغبار عن الوجه والجسم،
- ارتداء بزة واقية وغسل المناطق المكشوفة بالماء والصابون.
- يجب على المستخدم والأشخاص المتواجدين على مقربة منه أثناء استخدام المنتج الحرص على استعمال نظارة واقية وخوذة حماية وواقي للسمع.
- قم بارتداء قفازا واقيا أثناء تغيير الأدوات. ملامسة أداة الشغل قد تؤدي لوقوع إصابات بجروح قطعية وإصابة بحروق.
- خطر الإصابة من جراء سقوط الأدوات و/أو الملحقات. تحقق قبل بدء العمل أن البطارية والملحقات المركبة مثبتة بشكل آمن.
- احتفظ بفتحات التهوية مكشوفة دائماً. خطر حدوث حرائق بسبب فتحات التهوية المغطاة!
- لا تقم بتشغيل المنتج حتى تقوم بنقله إلى وضع العمل.
- انتظر حتى يتوقف المنتج تماما قبل تخزينه.
- إذا تجاوز المنتج حدود التشغيل أو تم التعرف على فراغ البطارية، فقد يحدث ألا يتم كبح الجهاز عن طريق الموتور.
- لا تقم بتثبيت أي خطاف حزام على هذا المنتج.

الاستخدام والتعامل بعناية مع الأدوات الكهربائية

- يجب حفظ واستخدام أسطوانات التجليخ بعناية طبقاً لتعليمات الجهة الصانعة.
- لا تستخدم المنتج أبداً بدون الغطاء الواقي.
- قم بتثبيت قطعة الشغل. استخدم تجهيزات شد أو منجلة لتثبيت قطعة الشغل. بذلك تكون أكثر ثباتاً عن إمساكها باليد، وتكون يديك قادرتان على استعمال المنتج بسهولة.
- لا تستخدم أبداً أسطوانات القطع السحبية للقيام بالتجليخ الخشن.
- أحكم ربط أداة الشغل والفلاشة. إذا لم يتم إحكام ربط أداة الشغل والفلاشة فمن المحتمل أن تنحل أداة الشغل من البريمة عند الكبح من خلال موتور الجهاز بعد الإيقاف.

السلامة الكهربائية

- قبل بدء الأعمال افحص نطاق العمل من حيث وجود توصيلات كهربائية مدفونة أو مواسير للغاز والماء. الأجزاء المعدنية الخارجية بالمنتج يمكن أن تتسبب في صدمة كهربائية أو انفجار، إذا قمت بإتلاف إحدى توصيلات التيار أو ماسورة الغاز أو الماء.
- اعمل على فحص المنتجات المتسخة على فترات زمنية منتظمة لدى خدمة Hilti في حالة التعامل المتكرر مع مواد موصلة للكهرباء. حيث يمكن أن يؤدي الغبار الملتصق بسطح الجهاز ولاسيما الغبار الناتج من مواد موصلة للكهرباء أو الرطوبة إلى التعرض لصعقة كهربائية في بعض الظروف غير الملائمة.

مكان العمل

- أثناء أعمال الثقب قم بتأمين النطاق الواقع على الجهة المقابلة للعمل. الشظايا المتناثرة يمكن أن تتطاير و/أو تسقط وتصيب الآخرين.
- عمل الشقوق في الحوائط الحاملة أو الهياكل الأخرى يمكن أن يؤثر سلباً على ثباتها، وبصفة خاصة عند فصل قضبان حديد التسليح أو الكمرات. قبل بدء العمل استشر محلل قوى الإجهاد المسؤول أو المهندس المعماري أو إدارة الموقع المختصة.

إرشادات إضافية حول استخدام الأغطية الواقية


- لتجنب المخاطر التالية، احرص دائماً على استخدام الغطاء الواقي المناسب، انظر فصل: "ترتيب الأسطوانات الخاصة بالمعدة المستخدمة".
- في حالة استخدام غطاء الحماية القياسي مع الساتر الأمامي لغرض التجليخ المسطح، فقد يلامس غطاء الحماية قطعة الشغل مما قد يؤدي إلى فقدان السيطرة.
- عند استخدام فرشاة سلكية يتجاوز سُمكها الحد الأقصى المسموح به، فقد تعلق الأسلاك بالغطاء الواقي وتتكسر.



- ◀ في حالة استخدام غطاء الحماية القياسي للقطع السحجي في المعدن باستخدام أسطوانات القطع الكاشطة، ينشأ خطر متزايد من التعرض للشرر والجسيمات وفي حالة انكسار الأسطوانة التعرض لشظايا الأسطوانة.
- ◀ في حالة استخدام غطاء الحماية القياسي مع أو بدون الساتر الأمامي لغرض القطع أو التجليخ في الخرسانة أو الجدران، تنشأ زيادة في التلوث بالغبار وخطر متزايد من فقدان السيطرة على المنتج، مما يؤدي إلى حدوث صدمات ارتدادية.

4.2 التعامل بعناية مع الأجهزة العاملة بالبطاريات واستخدامها

- ◀ **احرص على مراعاة إرشادات السلامة التالية للتعامل والاستخدام الآمن لبطاريات أيونات الليثيوم.** وعدم مراعاة ذلك قد يؤدي إلى حدوث تهيجات للبشرة، إصابات أكلة بالغة، حروق كيميائية، حرائق و / أو انفجارات.
- ◀ اقتصر على استخدام البطاريات وهي في حالة سليمة من الناحية الفنية.
- ◀ احرص على التعامل مع البطاريات بعناية لتجنب وقوع أضرار ومنع تسرب السوائل التي قد تضر بالصحة بصورة كبيرة!
- ◀ لا يجوز بأي حال من الأحوال تعديل البطاريات أو العبث بها!
- ◀ لا يجوز تفكيك البطاريات أو سحبها أو وضعها في درجة حرارة أعلى من 80° م (176° ف) أو حرقها.
- ◀ لا تقم باستخدام أو شحن بطاريات تعرضت لصدمات أو أي نوع آخر من الأضرار. افحص البطاريات بشكل دوري بحثاً عن علامات التلف.
- ◀ لا تقم مطلقاً باستخدام بطاريات مُعاد تدويرها أو التي تم إصلاحها.
- ◀ لا تستخدم أبداً البطارية أو أية أداة كهربائية مشغلة بالبطارية كمطرقة.
- ◀ لا تقم مطلقاً بتعرض البطاريات لأشعة الشمس المباشرة أو درجات الحرارة المرتفعة أو تولد الشرر أو اللهب المكشوف. فقد يؤدي ذلك إلى حدوث انفجارات.
- ◀ لا تلمس أقطاب البطارية بأصابعك، أدوات، حُلِي أو أية أشياء أخرى موصلة للكهرباء. فقد يؤدي ذلك إلى إلحاق الضرر بالبطارية وحدث أضرار مادية والإصابات.
- ◀ احتفظ بالبطاريات بعيداً عن الأمطار والبلل والسوائل. فالرطوبة المتسربة قد تتسبب في حدوث قفلات كهربائية، صدمات كهربائية، حرائق وانفجارات.
- ◀ اقتصر على استخدام الشواحن والأدوات الكهربائية المقررة لهذه البطارية. يلزم مراعاة المعلومات الواردة في دليل الاستعمال المعني.
- ◀ لا تقم باستخدام أو تخزين البطارية في النطاقات المُعرضة لخطر الانفجار.
- ◀ في حالة سخونة الشديدة للبطارية بحيث يتعذر الإمساك بها، فقد تكون تالفة. احرص على وضع البطارية في مكان مرئي وغير قابل للاشتعال مع وجود مسافة كافية من الخامات القابلة للاشتعال. اترك البطارية تبرد. إذا ظلت البطارية ساخنة بعد مرور ساعة لدرجة تعذر لمسها، فهذا يعني أنها تالفة. توجه إلى مركز خدمة Hilti أو اقرأ المستند "إرشادات لسلامة واستخدام بطاريات أيونات الليثيوم Hilti".

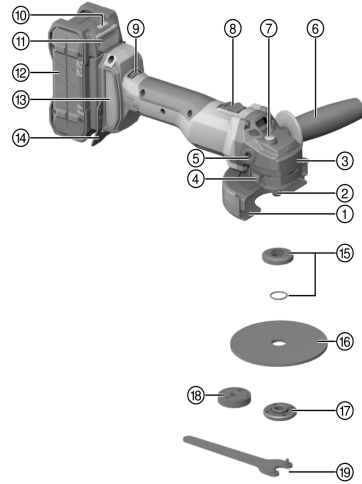
احرص على مراعاة اللوائح الخاصة التي تسري على نقل وتخزين واستخدام بطاريات أيونات الليثيوم.  ← صفحة 261

اقرأ إرشادات سلامة واستخدام بطاريات أيونات الليثيوم Hilti، التي يمكنك العثور عليها عن طريق مسح كود الاستجابة السريعة الموجود في نهاية دليل الاستعمال هذا.



1.3 نظرة عامة على المنتج 1

- | | |
|--|----|
| غطاء الحماية القياسي | 1 |
| بريمة | 2 |
| سهم اتجاه الدوران | 3 |
| زر تحرير الغطاء | 4 |
| فتحة قلاووظ المقبض | 5 |
| المقبض الجانبي | 6 |
| زر تثبيت البريمة | 7 |
| مفتاح التشغيل/الإيقاف | 8 |
| التحكم في السرعة | 9 |
| مبين حالة البطارية | 10 |
| زر تحرير البطارية | 11 |
| البطارية | 12 |
| فلتر الغبار | 13 |
| لوح الحماية من الشرر | 14 |
| فلانشة شد مع حلقة إحكام | 15 |
| أسطوانة القطع السحجي / أسطوانة التجليل | 16 |
| الخشن | 17 |
| صامولة الشد | 17 |
| صامولة التثبيت السريع Kwik lock (تجهيز اختياري) | 18 |
| مفتاح شد | 19 |


2.3 الاستخدام المطابق للتعليمات

المنتج الموضع عبارة عن مجلعة زاوية تعمل بالبطارية وتستخدم باليد. وهو مخصص للقطع السحجي والتجليل الخشن في الخامات المعدنية والحجرية، والتنظيف بالفرشاة وكذلك للتجليل بألواح السنفرة دون استخدام الماء. لا يُسمح باستخدامه إلا في أعمال القطع/التجليل على الجاف.

- اقتصر على استخدام بطاريات أيونات الليثيوم Nuron من Hilti من النوع B 22 مع هذا المنتج. لتحقيق القدرة المثالية، توصي Hilti باستخدام البطاريات المذكورة بالجدول الوارد بنهاية دليل الاستعمال هذا مع هذا المنتج.
- اقتصر على استخدام شواحن Hilti من الأنواع المذكورة بالجدول الوارد بنهاية دليل الاستعمال هذا لشحن هذه البطاريات.

3.3 مجموعة التجهيزات الموردّة

المجلعة الزاوية، المقبض الجانبي، غطاء الحماية القياسي، الحاجب الأمامي، فلانشة الشد، صامولة الشد، مفتاح الشد، فلتر الغبار، دليل الاستعمال.
تجد المزيد من منتجات النظام المسموح بها للمنتج الخاص بك لدى متجر **Hilti Store** أو على موقع الإنترنت: www.hilti.group

ATC 4.3

المنتج مزود بخاصية إيقاف الإلكتروني السريع (ATC (Active Torque Control). في حالة إعاقة أداة الشغل أو انحصارها، فإن المنتج يدور بشكل مفاجئ على نحو غير محكوم في الاتجاه المعاكس. وتتعرف وظيفة ATC على هذه الحركة المفاجئة للدوران بالمنتج وتقوم بإيقاف المنتج على الفور.

يجب ألا يكون هناك عائق أمام دوران المنتج حتى يعمل بشكل سليم. بعد إيقاف السريع، قم بإيقاف المنتج ثم أعد تشغيله.

5.3 وظيفة حماية الموتور

تقوم وظيفة حماية الموتور بمراقبة استهلاك التيار الكهربائي وكذلك سخونة الموتور، وبذلك تحمي الجهاز من السخونة المفرطة.



تؤدي زيادة الحمل على الموتور بفعل الضغط الشديد إلى ضعف قدرة المنتج بشكل ملحوظ وقد يصل الأمر إلى توقف المنتج تماماً.

في حالة توقف الجهاز أو انخفاض عدد اللفات من جراء للتمميل الزائد، فإنه يجب عليك تخلص المنتج من التتمميل الزائد وتشغيله لمدة 30 ثانية تقريباً على عدد لفات الوضع المحايد.



6.3 مكبح مدمج

من خلال المكبح المدمج يتم تقليل فترة تشغيل أداة الشغل إلى أن تتوقف تماماً.

لا تتوفر هذه الوظيفة إلا إذا كان المنتج مزوداً بالتيار الكهربائي. يختلف زمن التوقف ارتباطاً بأداة الشغل المُختارة.



7.3 حاجب أمامي

استخدم الساتر الأمامي مع غطاء الحماية القياسي للاستخدامات المذكورة أدناه:

- التجليخ الخشن باستخدام أسطوانات التجليخ الخشن المستقيمة
- القطع السحجي باستخدام أسطوانات القطع السحجي

8.3 واقية الغبار (القطع) C DC-EX 125/5" مدمج (ملحق تكميلي)

للقطع السحجي في مواضع الشغل الحجرية باستخدام أسطوانات القطع السحجي الماسية يجب استخدام الغطاء المدمج C DC-EX 125/5". يُحظر التعامل مع المعادن في ظل استخدام هذا الغطاء.

9.3 واقية الغبار (القطع) M DC-EX 125/5" (ملحق)

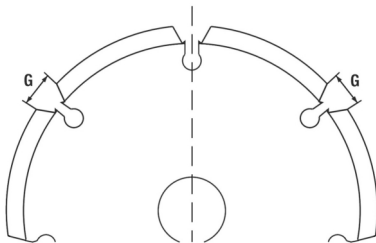
لا يجوز إجراء أعمال التجليخ السحجي والتشقيب بمواضع الشغل المعدنية مع أسطوانات القطع السحجي الماسية إلا باستخدام وقاية من غبار. احترس يُحظر التعامل مع المعادن في ظل استخدام هذا الغطاء.

10.3 واقية الغبار (التجليخ) DG-EX 125/5" (ملحق)

نظام التجليخ ملائم بشكل محدود فقط لتجليخ الأسطح الحجرية من حين لآخر باستخدام أقداح التجليخ الماسية. يُحظر التعامل مع المعادن في ظل استخدام هذا الغطاء.

11.3 أسطوانات التشقيب الماسية المناسبة للمواصفات الهندسية

يجب أن تفي أسطوانة التشقيب الماسية بالمواصفات الهندسية التالية.



المواصفات الفنية	
عرض الشق بين القطاعات (G)	$10 \geq$ مم
زاوية القطع	سالبة

12.3 بياونات بطارية أيونات الليثيوم

يمكن لبطاريات أيونات الليثيوم Hilti Nuron عرض حالة الشحن وبلاغات الأخطاء وحالة البطارية.



1.12.3 عرض حالة الشحن وبلغات الأخطاء



خطر الإصابة بسبب سقوط البطارية!

بينما البطارية مركبة، تأكد بعد الضغط على زر التمرير أنك قمت بإعادة تثبيت البطارية بشكل صحيح في المنتج المُستخدم.

لكي يتسنى الحصول على أحد البيانات التالية، اضغط لوهلة قصيرة على زر تمرير البطارية. وأيضًا يتم باستمرار عرض حالة الشحن وكذلك الاختلالات المُحتملة طوال فترة تشغيل المنتج الموصول.

الحالة	الاستعمال
تضيء أربع لمبات LED (4) باستمرار باللون الأخضر	حالة الشحن: 100 % إلى 71 %
تضيء ثلاث لمبات LED (3) باستمرار باللون الأخضر	حالة الشحن: 70 % إلى 51 %
تضيء لمبة LED (2) باستمرار باللون الأخضر	حالة الشحن: 50 % إلى 26 %
تضيء لمبة LED واحدة (1) باستمرار باللون الأخضر	حالة الشحن: 25 % إلى 10 %
تومض لمبة LED واحدة (1) ببطء باللون الأخضر	حالة الشحن: > 10 %
تومض لمبة LED واحدة (1) بسرعة باللون الأخضر	بطارية أيونات الليثيوم فارغة الشحنة تمامًا. اشحن البطارية. إذا استمر وميض لمبة LED بسرعة بعد شحن البطارية، توجه إلى مركز خدمة Hilti.
تومض لمبة LED واحدة (1) بسرعة باللون الأصفر	هناك تحميل زائد على بطارية أيونات الليثيوم أو المنتج المرتبط بها أو بهما سخونة زائدة أو برودة زائدة أو بما خطأً آخر. اعمل على توفير درجة حرارة العمل الموصى بها للمنتج وللبطارية، واحرص على ألا يتعرض المنتج للتحميل الزائد عند استخدامه. إذا استمر وجود البلاغ، توجه إلى مركز خدمة Hilti.
تضيء لمبة LED واحدة (1) باللون الأصفر	بطارية أيونات الليثيوم والمنتج المرتبط بها ليسا متوافقين. يُرجى التوجه إلى مركز خدمة Hilti.
تومض لمبة LED واحدة (1) بسرعة باللون الأحمر	تم تعطيل بطارية أيونات الليثيوم ولا يمكن مواصلة استخدامها. يُرجى التوجه إلى مركز خدمة Hilti.

2.12.3 عرض حالة البطارية

للاستفسار عن حالة البطارية، احتفظ بزر التمرير مضغوطًا لمدة تزيد على ثلاث ثوان. لا يكتشف النظام أي عطل محتمل في البطارية بسبب سوء الاستخدام، على سبيل المثال السقوط أو الثقب أو الأضرار الخارجية بفعل الحرارة، وما إلى ذلك

الحالة	الاستعمال
تضيء جميع لمبات LED كخط إضاءة متتابع، وبعد ذلك تضيء لمبة LED واحدة (1) باستمرار باللون الأخضر.	لا يزال من الممكن استخدام البطارية.
تضيء جميع لمبات LED كخط إضاءة متتابع، وبعد ذلك تومض لمبة LED واحدة (1) بسرعة باللون الأصفر.	تعذر إتمام الاستعلام عن حالة البطارية. كرر العملية أو توجه إلى مركز خدمة Hilti.
تضيء جميع لمبات LED كخط إضاءة متتابع، وبعد ذلك تضيء لمبة LED واحدة (1) باستمرار باللون الأحمر.	إذا كان لا يزال من الممكن استخدام منتج موصول، تكون قدرة البطارية المتبقية أقل من 50%. إذا لم يعد من الممكن استخدام منتج موصول، فهذا يعني أن البطارية في نهاية عمرها الافتراضي ويجب تغييرها. يُرجى التوجه إلى مركز خدمة Hilti.

4 خامات الشغل

يتعين الاقتصار على استخدام الأسطوانات المقواة بالألياف والمرتبطة بالراتنج الصناعي بقطر 125 Ø مم على الأكثر ومسموح بها لعدد لفات لا يقل عن 11000 لفة/دقيقة وسرعة محيطية 80 م/ث.



تنبيه! احرص دائما على استخدام غطاء الحماية القياسي المزود بحاجب أمامي أو غطاء واقى مغلق تماما عند القطع والتشقيب باستخدام أسطوانات القطع السحجي.

الأسطوانات

الطرز	الاستخدام	العلامات المختصرة	موضع الشغل	أقصى سُمك	أقصى قطر
أسطوانة القطع السحجي الكاشطة	القطع السحجي، التشقيب	AC-D	معدني	2.5 مم	125 مم
أسطوانة القطع السحجي الماسية	القطع السحجي، التشقيب	DC-TP, DC-D (SPX, SP, P)	حجري	3 مم	125 مم
أسطوانة التجليغ الخشن الكاشطة	التجليغ الخشن	AG-D, AF-D, AN-D	معدني	6.4 مم	125 مم
أسطوانة التجليغ الخشن الماسية	التجليغ الخشن	DG-CW (SPX, SP, P)	حجري	—	125 مم
فرشاة سلكية	الفرشات السلكية	3CS, 4CS, 3SS, 4SS	معدني	27 مم	75 مم
طربوش الثقب الماسي	ثقب البلاط	DD-M14	حجري	—	125 مم
أسطوانة ليفية	التجليغ الخشن	AP-D	معدني	—	125 مم

توزيع الأسطوانات على المعدة المراد استخدامها

الموضع	المعدة	AC-D	AP-D	AG-D, AF-D, AN-D	DG-CW (SP, SPX) (P)	DC-TP, DC-D (SP, SPX) (P)	3CS, 4CS, 4SS, DD-M14
A	الغطاء الواقي (القياسي)	✓	✓	✓	✓	✓	✓
B	حاجب أمامي (بالارتباط مع A)	✓	—	—	—	✓	—
C	واقية الغبار (التجليغ) DG-EX 125/5"	—	—	—	✓	—	—
D	واقية الغبار (القطع) DC-EX 125/5"C (بالارتباط مع A)	—	—	—	—	✓	—
E	واقية الغبار (التشقيب) DC-EX 125/5"M	—	—	—	—	✓	—
F	المهايئ (بالارتباط مع E)	—	—	—	—	✓	—
G	المقبض الجانبي (القياسي)	✓	✓	✓	✓	✓	✓
H	صامولة الشد (القياسية)	✓	—	✓	✓	✓	—
I	فلانشة الشد (القياسية)	✓	—	✓	✓	✓	—
J	Kwik lock (اختياري) للطرز (H)	✓	—	✓	—	✓	—
K	صامولة الشد (أسطوانة ليفية)	—	✓	—	—	—	—
L	وسادة الدعم (أسطوانة ليفية)	—	✓	—	—	—	—



AG 4S-22-125	
21.6 فلط	الجهد الكهربائي الاسمي
8,500 لفة/دقيقة	عدد اللفات الاسمي
125 مم	أقصى قطر للأسطوانة
2.1 كجم	الوزن طبقاً لبروتوكول EPTA 01 دون البطارية
M14	قلاووظ بريمة الإدارة
22 مم	طول البريمة
17-°م ... 60°م (1° ف ... 140° ف)	درجة الحرارة المحيطة أثناء التشغيل
20-°م ... 70°م (-4° ف ... 158° ف)	درجة حرارة التخزين

1.5 البطارية

21.6 فلط	جهد تشغيل البطارية
انظر نهاية هذا الدليل	وزن البطارية
17-°م ... 60°م (1° ف ... 140° ف)	درجة الحرارة المحيطة أثناء التشغيل
20-°م ... 40°م (-4° ف ... 104° ف)	درجة حرارة التخزين
10-°م ... 45°م (14° ف ... 113° ف)	درجة حرارة البطارية عند بدء الشحن

2.5 قيم الضوضاء والاهتزاز طبقاً 2021:3-2:62841

تم قياس ضغط الصوت وقيم الاهتزاز الواردة في هذا الدليل طبقاً لأحد معايير القياس المحددة ويمكن الاستعانة بها في إجراء مقارنة بين الأدوات الكهربائية مع بعضها البعض. وهي مناسبة أيضاً لتقدير حجم المخاطر بصورة أولية.

المواصفات الواردة تتعلق بالاستخدامات الأساسية للأداة الكهربائية. أما إذا تم استخدام الأداة الكهربائية في تطبيقات أخرى مع أدوات شغل مخالفة للمواصفات أو دون صيانة كافية، ففي هذه الحالة قد تختلف المواصفات. وقد يزيد هذا من نسبة المخاطر طوال مدة العمل بصورة واضحة.

وللمصول على تقدير دقيق لحجم المخاطر ينبغي أيضاً مراعاة الأوقات التي يتم فيها إيقاف الجهاز أو التي يتم فيها تشغيل الجهاز ولكن دون استخدام حقيقي. وقد يقلل هذا من نسبة المخاطر طوال مدة العمل بصورة واضحة. احرص على اتخاذ إجراءات إضافية للسلامة من شأنها حماية المستخدم من تأثير الضجيج و/أو الاهتزازات مثل: صيانة الأداة الكهربائية وأدوات الشغل والمفاظ على الأيدي في حالة دافئة وتنظيم مراحل العمل.

تجلبغ ألواح الصاج الرقيقة أو الهياكل الأخرى ذات الأسطح الكبيرة القابلة للاهتزاز بسهولة قد يؤدي إلى زيادة انبعاث الضجيج بشكل يزيد على قيم انبعاث الضجيج المذكورة. يمكنك المد من انبعاثات الضجيج الناشئة عن ذلك من خلال اتخاذ تدابير من شأنها تقليل الصوت، مثل تركيب حواجز عزل ثقيلة ومرنة. عند تقييم مخاطر التعرض للضجيج واختيار واقية للأذنين مناسبة، احرص دائماً على مراعاة هذه القيم المتزايدة أيضاً.

معلومات الضجيج

AG 4S-22-125	
89 ديسيبل (A)	مستوى ضغط الصوت المنبعث (L_{PA})
3 ديسيبل (A)	نسبة التفاوت لمستوى ضغط الصوت (K_{PA})
97 ديسيبل (A)	مستوى شدة الصوت (L_{WA})
3 ديسيبل (A)	نسبة التفاوت لمستوى شدة الصوت (K_{WA})

معلومات الاهتزاز

تطبيقات أخرى، مثل القطع قد تؤدي إلى قيم اهتزاز مغايرة.



AG 4S-22-125		
5.1 م/ثانية ²	B 22-55	تجليخ الأسطح (a _{n,86})
5.4 م/ثانية ²	B 22-255	
1.5 م/ثانية ²		نسبة التفاوت (K)

6 التحضير للعمل

تحذير

خطر الإصابة من خلال التشغيل غير المقصود!

- تأكد قبل إدخال البطاريات أن الجهاز المختص مطفأ.
- اخلع البطارية قبل إجراء عمليات ضبط الجهاز أو تغيير أجزاء الملحقات التكميلية.

تراجعى إرشادات الأمان والإرشادات التحذيرية الواردة في هذا المستند وعلى الجهاز.

1.6 شحن البطارية

1. قبل الشحن، قم بقراءة دليل استعمال جهاز الشحن.
2. احرص على أن تكون أطراف تلامس البطارية وجهاز الشحن نظيفة وجافة.
3. قم بشحن البطارية باستخدام شاحن مصحح به. ← صفحة 251

2.6 تركيب البطارية

تحذير

خطر الإصابة من خلال قفلة كهربائية أو سقوط البطارية!

- تأكد قبل تركيب البطاريات في الجهاز من عدم وجود أجسام غريبة بين أطراف توصيل البطارية والجهاز.
- تأكد من تثبيت البطارية بشكل صحيح دائماً.

1. اشحن البطارية لآخرها تماماً قبل التشغيل لأول مرة.
2. قم بتحريك البطارية في المنتج إلى أن تستقر في موضعها بصوت مسموع.
3. تفحص البطارية من حيث ثباتها في موضعها بشكل جيد.

3.6 خلع البطارية

1. اضغط على زر تحرير البطارية.
2. اسحب البطارية من المنتج.

4.6 تركيب تجهيزة التأمين ضد السقوط Hilti (تجهيز اختياري)

يُراعى ضرورة الالتزام باللوائح المحلية في حالة إجراء أعمال في وضعية مرتفعة أثناء العمل باستخدام المنتج.

يجب مراعاة دليل استعمال وسيلة التأمين ضد السقوط.

1. ضع كلا عروتي وسيلة التأمين ضد السقوط على لوح الوقاية من الشرر.
2. قم بتثبيت وسيلة التأمين ضد السقوط باستخدام البراغي المعنية عبر الثقوب المخصصة في لوح الوقاية من الشرر.
3. قم بتركيب البطارية. ← صفحة 256

5.6 تجهيزة الحماية من السقوط

تحذير

خطر الإصابة من جراء أدوات الشغل و/أو الملحقات المتساقطة!

- اقتصِر على استخدام حزام تثبيت أداة الشغل من Hilti الموصى به لمنتجاتك.
- افحص نقطة تثبيت حزام تثبيت أداة الشغل قبل كل استخدام بحثاً عن الأضرار المحتملة.



احرص على مراعاة اللوائح المحلية لبلدك للعمل على المرتفعات.



استخدم لهذا المنتج كتهيئة حماية من السقوط فقط التوليفة المكونة من Hilti ووظيفة التأمين ضد السقوط #2293133 مع Hilti حزام تثبيت أداة الشغل #2261970.

- ◀ قم بتثبيت تجهيز التأمين ضد السقوط في فتحات تركيب الملحق. تحقق من التثبيت الآمن.
- ◀ قم بتثبيت مشبك حزام تثبيت أداة الشغل على تجهيز التأمين ضد السقوط والمشبك الثاني ببكل داعم. تحقق من التثبيت الآمن للمشبيين.

احرص على مراعاة دليل الاستعمال الخاص بتجهيز التأمين ضد السقوط Hilti وأيضا حزام تثبيت أداة الشغل Hilti.



6.6 تركيب المقبض الجانبي

- ◀ قم بربط المقبض الجانبي بإحدى الجلب الملولبة المخصصة لذلك.

7.6 تركيب أو فك الغطاء الواقي

⚠ احترس:

خطر الإصابة. تكون أداة الشغل ساخنة وحادة الحواف.
 ◀ احرص عند القيام بالتركيب والفك وأعمال الضبط وإصلاح الاختلالات على ارتداء قفازا واقيا.

- ◀ يُراعى دليل تركيب الغطاء الواقي المعني.

1.7.6 قم بتركيب غطاء الحماية القياسي 7

يشتمل الغطاء الواقي على طرف مشفر يضمن تركيب الغطاء الواقي الملائم للمنتج فقط. حيث ينساب الغطاء الواقي بطرفه المشفر في موضع تركيب الغطاء بالمنتج.



1. قم بتركيب غطاء الحماية على رقبة البريمة بحيث تتقابل علامتي المثلث في كل من غطاء الحماية والمنتج.
 2. اضغط غطاء الحماية على عنق البريمة.
 3. اضغط زر تحرير الغطاء وأدر غطاء الحماية إلى الوضع المرغوب إلى أن يستقر في موضعه.
- ◀ يرتد زر تحرير الغطاء.

2.7.6 قم بتعديل ضبط غطاء الحماية القياسي

- ◀ اضغط زر تحرير الغطاء وأدر غطاء الحماية إلى الوضع المرغوب إلى أن يستقر في موضعه.

3.7.6 فك غطاء الحماية القياسي

1. اضغط زر تحرير الغطاء وأدر الغطاء إلى أن تتقابل علامتي المثلث في كل من غطاء الحماية والمنتج.
2. اخلع الغطاء الواقي.

8.6 تركيب أو فك الحاجب الأمامي 8

يجب تثبيت الحاجب الأمامي على غطاء الحماية القياسي.



1. قم بتركيب الحاجب الأمامي بينما الجانب المغلق متجه إلى أعلى على غطاء الحماية القياسي.
- ◀ يجب أن يثبت القفل بصوت مسموع.
2. للفك افتح قفل الحاجب الأمامي.
3. قم بفك الحاجب الأمامي من غطاء الحماية القياسي.



⚠ تحترس:

خطر الإصابة. أداة الشغل قد تكون ساخنة.
 ◀ ارتد قفازات واقية عند تغيير أداة الشغل.

i يجب تغيير الأسطوانات الماسية بمجرد تراجع قدرة القطع أو التجليغ بشكل واضح. وبشكل عام يكون الوضع كذلك، عندما يكون ارتفاع قطاعات الألماس أقل من 2 مم.
 يجب تغيير أنواع الأسطوانات الأخرى بمجرد تراجع قدرة القطع بشكل واضح أو ملامسة أجزاء المجلحة الزاوية (ما عدا الأسطوانة) أثناء العمل مع خامة الشغل.
 يجب تغيير أسطوانات السحج بمجرد حلول تاريخ انتهاء الصلاحية.

1.9.6 تركيب أداة الشغل 9
⚠ تحذير

خطر الإصابة. في حالة كبح موتور الجهاز قد تنفك أداة الشغل.
 ◀ انتظر إلى أن تتوقف أداة الشغل تماما، قبل أن تمسك بأداة الشغل أو صامولة التثبيت.
 ◀ أحكم ربط أداة الشغل وفلانشة الشد باستخدام صامولة التثبيت بحيث لا تنفك أجزاء من البريمة عند كبح موتور الجهاز.

1. قم بتنظيف فلانشة التثبيت وصامولة التثبيت.
2. تأكد من وجود حلقة إحكام في فلانشة الشد وأنها في حالة سليمة.
 ◀ قم باستبدال حلقة الإحكام الناقصة أو التالفة.
3. أحكم ربط فلانشة التثبيت على البريمة.
4. قم بتركيب أداة الشغل.
5. أحكم ربط صامولة الشد وفقاً لأداة الشغل المركبة.
6. اضغط على زر تثبيت البريمة واحتفظ به مضغوطة.
7. أحكم ربط صامولة الشد باستخدام مفتاح الشد ثم اترك زر تثبيت البريمة واخلع مفتاح الشد.

2.9.6 تفكيك أداة الشغل
⚠ تحذير

خطر الانكسار والتحطم. في حالة الضغط على زر تثبيت البريمة أثناء دوران البريمة فقد تنفك أداة الشغل.
 ◀ لا تضغط زر تثبيت البريمة إلا عندما تكون البريمة ثابتة.

1. اضغط على زر تثبيت البريمة واحتفظ به مضغوطة.
2. قم بحل صامولة الشد من خلال تركيب مفتاح الشد عليها وإدارته عكس اتجاه عقارب الساعة.
3. اترك زر تثبيت البريمة وقم بإخراج أداة الشغل.

3.9.6 تركيب Kwik lock 10
⚠ تحذير

خطر الانكسار. قد تتعرض صامولة التثبيت السريع **Kwik lock** للانكسار نتيجة لدرجة التأكل العالية.
 ◀ احرص على عدم ملامسة صامولة الربط السريع **Kwik lock** لموضع الشغل أثناء العمل.
 ◀ لا تستخدم صواميل التثبيت السريع **Kwik lock** التالفة.

i يمكن استخدام صامولة التثبيت السريع **Kwik lock** بشكل اختياري بدلا من صامولة الشد. وبذلك يمكن تغيير أدوات الشغل بدون عدة إضافية.

1. نظف فلانشة الشد وصامولة الشد.
2. تأكد من وجود حلقة إحكام في فلانشة الشد وأنها في حالة سليمة.
 ◀ قم باستبدال حلقة الإحكام الناقصة أو التالفة.
3. أحكم ربط فلانشة التثبيت على البريمة.
4. قم بتركيب أداة الشغل.



5. اربط صامولة التثبيت السريع **Kwik lock** حتى تستقر على أداة الشغل.
6. ← كلمة **Kwik lock** تكون ظاهرة عندما تكون الصامولة مبربوطة.
6. اضغط واستمر في الضغط على زر تثبيت البريمة.
7. أدر أداة الشغل يدويًا بقوة في اتجاه حركة عقارب الساعة، إلى أن يتم إحكام ربط صامولة الشد السريع **Kwik lock**.
8. اترك زر تثبيت البريمة.

4.9.6 فك **Kwik lock**

i إذا تعذر فك صامولة التثبيت السريع **Kwik lock** يدويًا قم بتثبيت مفتاح شد على صامولة التثبيت السريع وأدره عكس اتجاه عقارب الساعة. لا تستخدم زردية أبدًا. قد تتضرر صامولة التثبيت السريع **Kwik lock** من جراء استخدام أداة شغل خاطئة.

1. اضغط زر تثبيت البريمة.
2. قم بحل صامولة التثبيت السريع **Kwik lock** من خلال إدارة صامولة التثبيت السريع يدويًا عكس اتجاه عقارب الساعة.
3. اترك زر تثبيت البريمة وقم بإخراج أداة الشغل.

5.9.6 تركيب طربوش الثقب **11**

1. قم بتركيب المقبض الجانبي. ← صفحة 257
2. قم بتركيب غطاء الحماية القياسي.
3. قم بتركيب طربوش الثقب وأحكم ربطه يدويًا.
4. اضغط على زر تثبيت البريمة واحتفظ به مضغوطًا.
5. أحكم ربط طربوش الثقب بعد ذلك بمفتاح هلالتي آخر مناسب.
6. قم بعد ذلك بتحرير زر تثبيت البريمة ثم اخلع المفتاح الهلالتي.

6.9.6 تركيب الفرشاة السلكية **12**

1. قم بتركيب المقبض الجانبي. ← صفحة 257
2. قم بتركيب غطاء الحماية القياسي.
3. قم بتركيب الفرشاة السلكية وأحكم ربطها يدويًا.
4. اضغط على زر تثبيت البريمة واحتفظ به مضغوطًا.
5. أحكم ربط الفرشاة السلكية بعد ذلك بمفتاح هلالتي مناسب.
6. قم بعد ذلك بتحرير زر تثبيت البريمة ثم اخلع المفتاح الهلالتي.

7.9.6 تركيب الأسطوانة الليفية **13**

1. قم بتركيب المقبض الجانبي. ← صفحة 257
2. قم بتركيب غطاء الحماية القياسي.
3. قم بتركيب وسادة الدعم والأسطوانة الليفية ثم أحكم ربط صامولة الشد.
4. اضغط على زر تثبيت البريمة واحتفظ به مضغوطًا.
5. أحكم ربط صامولة الشد باستخدام مفتاح الشد.
6. قم بعد ذلك بتحرير زر تثبيت البريمة ثم اخلع مفتاح الشد.

7 الاستعمال

1.7 التشغيل

1. اضغط على الجزء الخلفي من مفتاح التشغيل/الإيقاف.
2. حرك مفتاح التشغيل/الإيقاف إلى الأمام.
3. ← يدور المحرك.
3. تبت مفتاح التشغيل/الإيقاف.



تحذير

- خطر الإصابة.** قد تتعرض أداة الشغل للإعاقة أو التعثر فجأة.
- استخدم المنتج دائماً بواسطة المقبض الجانبي وأمسك المنتج بكلتا اليدين.
 - لا تدع أداة الشغل تتعرض للانحصار وتجنب الضغط على المنتج بشكل زائد عن الحد.

3.7 القطع السحجي

- عند القطع السحجي اعمل بدفع معتدل وتجنب وضع المنتج أو أسطوانة القطع السحجي بشكل منحرف (وضع العمل يكون حوالي 90° بالنسبة لمستوى القطع).
- من الأفضل قطع القطاعات والمواسير المستطيلة بحيث يتم ضبط أسطوانة القطع السحجي على أدنى مقطع عرضي.

4.7 التجليخ الخشن
تحذير

- خطر الإصابة.** قد يتحطم قرص القطع السحجي وتتسبب الأجزاء المندفعة في حدوث إصابات.
- لا تستخدم أبداً أسطوانات القطع السحجي للقيام بالتجليخ الخشن.
 - حرك المنتج مع زاوية تثبيت تتراوح بين 5° إلى 30° وضغط متوازن جيئة وذهابا.
 - لا تصعب قطعة الشغل ساخنة ولا يتغير لونها ولا يظهر بها حوزو.

5.7 الإيقاف

- اضغط على الجزء الخلفي من مفتاح التشغيل/الإيقاف.
- ينتقل مفتاح التشغيل/الإيقاف إلى وضع الإيقاف ويتوقف المحرك.

8 العناية والصيانة
تحذير

- خطر الإصابة عند تكون البطارية مركبة!**
- احرص على خلع البطارية دائماً قبل جميع أعمال الإصلاح والعناية!

خطر

- صدمة كهربائية بسبب عدم وجود عزل وقائي.** في ظروف الاستخدام الشاقة يمكن أن يتراكم غبار موصل للكهرباء (على سبيل المثال المعادن و ألياف الكربون) بداخل الجهاز عند التعامل مع المعادن مما يؤثر سلباً على العزل الوقائي.
- في حالة ظروف التشغيل الشاقة احرص على استخدام جهاز شفط ثابت.
 - احرص على تنظيف فتحات التهوية كثيراً.

العناية بالمنتج

- احرص على إزالة الاتساخات شديدة الالتصاق مع توخي الحرص.
- قم بتنظيف جسم المنتج باستخدام قطعة قماش مُبللة بعض الشيء. لا تستخدم مواد عناية محتوية على سيليكون، نظراً لأنها قد تؤدي إلى تلف الأجزاء البلاستيكية.
- استخدم قطعة قماش نظيفة وجافة لتنظيف ملامسات المنتج.

العناية ببطاريات أيونات الليثيوم

- لا تغمس مطلقاً باستخدام بطارية ذات فتحات تهوية مسدودة. قم بتنظيف فتحات التهوية بحرص باستخدام فرشاة جافة وناعمة.
- تجنب تعريض البطارية للغبار أو الاتساخات دون داع. لا تقم مطلقاً بتعريض البطارية للرطوبة المرتفعة (على سبيل المثال، غمرها في الماء أو تركها تحت الأمطار).
- في حالة بلل البطارية، تعامل معها كبطارية تالفة. اعزل البطارية في وعاء غير قابل للاشتعال وتوجه إلى مركز خدمة Hilti.



- حافظ على البطارية خالية من الزيت والشحم الخارجي. لا تسمح للغبار أو الاتساخات بالتراكم دون داع على البطارية. قم بتنظيف البطارية باستخدام فرشاة جافة وناعمة أو قطعة قماش نظيفة وجافة. لا تستخدم مواد عناية محتوية على سيليكون، نظرًا لأنها قد تؤدي إلى تلف الأجزاء البلاستيكية.
- لا تلمس ملامسات البطارية ولا تقم بإزالة الشحم الموجود من قبل المصنع عن الملامسات.
- قم بتنظيف جسم المنتج باستخدام قطعة قماش مُبللة بعض الشيء. لا تستخدم مواد عناية محتوية على سيليكون، نظرًا لأنها قد تؤدي إلى تلف الأجزاء البلاستيكية.

الصيانة

- احرص بصورة منتظمة على فحص الأجزاء المرئية من حيث وجود أضرار وافحص عناصر الاستعمال من حيث كفاءتها الوظيفية.
- لا تقم بتشغيل الجهاز في حالة وجود أضرار وأ/أو اختلالات وظيفية. احرص على إصلاح الجهاز على وجه السرعة لدى خدمة Hilti.
- بعد أعمال العناية والإصلاح قم بتركيب جميع تجهيزات الحماية وافحصها من حيث الأداء الوظيفي السليم.

للتنشغيل الآمن اقتصر على استخدام قطع الغيار الأصلية وخامات الشغل. تجد قطع الغيار وخامات الشغل والملحقات المصراع بها من Hilti للمنتج الخاص بك في متجر Hilti Store أو على موقع الإنترنت: www.hilti.group

9 نقل وتخزين أدوات الشغل العاملة ببطارية والبطاريات

النقل

⚠ احترس:

التشغيل غير مقصود عند النقل!

- قم بنقل المنتج دائما بدون البطاريات!
- اخلع البطارية/البطاريات.
- لا تقم بنقل البطاريات بكميات كبيرة. ينبغي أثناء النقل حماية البطاريات من الاصطدام العنيف والاهتزازات، وكذلك عزلها عن أية مواد موصلة للكهرباء أو أية بطاريات أخرى، وذلك حتى لا تتلامس مع أقطاب بطاريات أخرى ومن ثم حدوث قفلة كهربائية. احرص على مراعاة تعليمات النقل المحلية للبطاريات.
- لا يجوز إرسال البطاريات عن طريق البريد. توجه إلى شركة شحن، إذا كنت ترغب في إرسال بطاريات غير تالفة.
- افحص المنتج والبطاريات من حيث وجود أضرار قبل كل استخدام وقبل وبعد النقل لمسافة طويلة.

التخزين

⚠ تحذير

أضرار غير مقصودة بسبب البطاريات التالفة أو التي بها تسريب!

- قم بتخزين المنتج دائما بدون البطاريات!
- احرص على تخزين المنتج والبطاريات في مكان بارد وجاف. احرص على مراعاة القيم الحدية لدرجات الحرارة الواردة في المواصفات الفنية.
- لا تحتفظ بالبطاريات على جهاز الشحن. قم دائماً بإزالة البطارية من الشاحن بعد انتهاء عملية الشحن.
- لا تقم أبداً بتخزين البطاريات تحت أشعة الشمس أو في مصادر الحرارة أو خلف الزجاج.
- احرص على تخزين المنتج والبطاريات والاحتفاظ به بعيداً عن متناول الأطفال والأشخاص غير المصرح بهم.
- افحص المنتج والبطاريات من حيث وجود أضرار قبل كل استخدام وقبل وبعد التخزين لفترة طويلة.

10 المساعدة في حالات الاختلالات

في حالات حدوث الاختلالات، قم بمراقبة بيان حالة الشحن وبيان الأخطاء للبطارية. انظر الفصل بيانات بطارية أيونات الليثيوم.

عند حدوث اختلالات غير مذكورة في الجدول أو يتعذر عليك معالجتها بنفسك، فيرجى التوجه إلى مركز خدمة Hilti.

الخلل	السبب المحتمل	الحل
يتعذر تشغيل المنتج.	البطارية فارغة الشحنة.	• قم بتغيير البطارية واشحن البطارية الفارغة.



الخلل	السبب المحتمل	الحل
شحنة البطارية تفرغ بشكل أسرع من المعتاد.	درجة حرارة محيطية شديدة الانخفاض.	◀ اترك البطارية تسخن ببطء حتى درجة حرارة الغرفة.
البطارية لا تثبت بصوت طقطقة مسموع.	طرف التثبيت بالبطارية متسخ.	◀ قم بتنظيف طرف التثبيت ثم قم بتركيب البطارية مجدداً.
تنشأ سخونة شديدة بالمجلمة الزاوية أو البطارية.	عطل كهربائي	◀ قم بإيقاف المنتج على الفور، اخلع البطارية وافحصها جيداً، ثم اتركها تبرد واتصل بمركز خدمة Hilti.
لا توجد وظيفة كبح بالموتور	فتحات التهوية المسدودة	◀ احرص على تنظيف فتحات التهوية بصفة دورية.
	البطارية فارغة الشحنة.	◀ قم بتغيير البطارية واشحن البطارية الفارغة.
	هناك تحميل زائد على المنتج لفترة قصيرة.	◀ قم بإيقاف المنتج ثم أعد تشغيله.

11 التكيين

تحذير

- خطر الإصابة من جراء التكيين غير المطابق للتعليمات!** خطر على الصحة من جراء الغازات والسوائل المتسربة.
- ◀ لا تقم بإرسال أو توريد بطاريات تالفة!
 - ◀ قم بتغطية التوصيلات باستخدام مادة غير موصلة للكهرباء وذلك لتجنب حدوث قفلات كهربائية.
 - ◀ تخلص من البطاريات بحيث لا تصل إلى متناول الأطفال.
 - ◀ تخلص من البطارية لدى متجر Hilti Store أو توجه إلى مركز التخلص من النفايات المختص.

منتجات Hilti مصنوعة بنسبة كبيرة من مواد قابلة لإعادة التدوير. يشترط لإعادة التدوير أن يتم فصل الغامات بشكل سليم فنياً. في كثير من الدول تقوم Hilti باستعادة جهازك القديم لإعادة الانتفاع به. توجه بأستلنتك لخدمة عملاء Hilti أو لمستشار المبيعات.

- ◀ لا تعلق الأدوات الكهربائية، الأجهزة الإلكترونية والبطاريات ضمن القمامة المنزلية!

12 ضمان الجبة الصانعة

- ◀ في حالة وجود أية استفسارات بخصوص شروط الضمان، يرجى التوجه إلى وكيل Hilti المحلي التابع لك.

13 مزيد من المعلومات

تجد مزيداً من المعلومات حول الاستعمال والتقنية والبيئة وإعادة التدوير تمت الرابط التالي:
qr.hilti.com/manual/?id=2252233&id=2252235&id=2251374
 تجد هذا الرابط أيضاً في نهاية المستند ككود QR.



오리지널 사용 설명서

1 사용 설명서 관련 정보

1.1 본 사용 설명서에 관하여

- 경고! 제품을 사용하기 전에, 제품과 함께 제공되는 사용 설명서와 설명서에 제시된 지침, 안전상의 주의사항 및 경고사항, 그림 및 사양 등을 잘 읽고 이해해야 합니다. 특히 모든 지침, 안전상의 주의사항 및 경고사항, 그림, 사양과 구성 요소 및 기능을 숙지해야 합니다. 유의하지 않을 경우, 감전, 화재 발생 및/또는 중상을 입을 위험이 있습니다. 추후 사용 시에도 활용할 수 있도록 관련 지침, 안전상의 주의사항 및 경고사항이 포함된 사용 설명서를 잘 보관하십시오.
- 제품은 전문가용으로 설계되어 있으며, 해당 교육을 이수한 공인된 작업자를 통해서만 조작, 유지보수 및 수리 작업을 진행할 수 있습니다. 이 기술자는 발생할 수 있는 위험에 대해 특별 교육을 받은 상태여야 합니다. 교육을 받지 않은 사람이 제품을 부적절하게 취급하거나 규정에 맞지 않게 사용할 경우에는 기기와 그 보조기구에 의해 부상을 당할 위험이 있습니다.
- 함께 제공되는 사용 설명서는 인쇄 시점의 최신 기술 버전을 반영하여 작성됩니다. 최신 버전은 항상 Hilti 제품 사이트의 온라인 버전을 참조하십시오. 온라인 버전을 참고하고자 할 경우, 본 사용 설명서에 제시된 링크 혹은 기호로 표시된 QR 코드를 클릭하십시오.
- 제품을 다른 사람에게 양도할 때는 본 사용 설명서도 반드시 함께 넘겨주십시오.

1.2 기호 설명

1.2.1 경고사항

본 제품을 다루면서 발생할 수 있는 위험에 대한 경고사항. 다음과 같은 시그널 워드가 사용됩니다.

위험

위험!

- ▶ 이 기호는 직접적인 위험을 표시합니다. 만약 지키지 않으면 심각한 부상을 당하거나 사망할 수도 있습니다.

경고

경고!

- ▶ 이 기호는 잠재적인 위험을 표시합니다. 만약 지키지 않으면 심각한 부상을 당하거나 사망할 수도 있습니다.

주의

주의!

- ▶ 이 기호는 잠재적인 위험 상황을 표시합니다. 만약 지키지 않으면 부상 또는 물질 손실을 입을 수 있습니다.

1.2.2 사용 설명서에 사용된 기호

본 사용 설명서에서 사용되는 기호는 다음과 같습니다.

	사용 설명서에 유의하십시오
	적용 지침 및 기타 유용한 사용정보
	재사용이 가능한 자재 취급방법
	전기 기기 및 배터리를 일반 가정의 쓰레기처럼 폐기해서는 안 됨
	Hilti 리튬 이온 배터리
	Hilti 충전기

1.2.3 그림에 사용된 기호

그림에 다음과 같은 기호가 사용됩니다.

- 2** 이 숫자는 본 사용 설명서 첫 부분에 있는 해당 그림을 나타냅니다.



3	매겨진 숫자는 작업 단계의 순서를 나타내며, 텍스트에 매겨진 작업 단계와 차이가 있을 수 있습니다.
11	항목 번호는 개요 그림에서 사용되며, 제품 개요 단락에 나와 있는 기호 설명 번호를 나타냅니다.
	이 표시는 제품을 다룰 때, 특별히 주의할 사항을 나타냅니다.

1.3 제품 관련 기호

1.3.1 제품에 사용된 기호

제품에 사용되는 기호는 다음과 같습니다.

	보안경 착용
n_0	무부하 회전속도
/min	분당 회전수
RPM	분당 회전수
\varnothing	직경
	직류
	절단 작업 시 표준 커버를 이용해 작업하지 않도록 하십시오.
	항상 양손으로 작업하십시오.
	본 제품은 iOS 및 Android 플랫폼과 호환 가능한 NFC 기술을 지원합니다.
Li-Ion	리튬이온 배터리
	배터리는 절대 타격 공구로 사용해서는 안 됩니다.
	배터리를 떨어뜨리지 마십시오. 타격을 받은 적이 있거나 다른 손상이 있는 배터리는 사용하지 마십시오.

1.4 제품 정보

제품은 전문가용으로 설계되어 있으며, 해당 교육을 이수한 공인된 작업자를 통해서만 조작, 유지 보수 및 수리 작업을 진행할 수 있습니다. 이 기술자는 발생할 수 있는 위험에 대해 특별 교육을 받은 상태여야 합니다. 교육을 받지 않은 사람이 제품을 부적절하게 취급하거나 규정에 맞지 않게 사용할 경우에는 기기와 그 보조기구에 의해 부상을 당할 위험이 있습니다.

형식 명칭 및 일련 번호는 형식 라벨에 제시되어 있습니다.

- ▶ 일련 번호를 다음의 표에 옮기십시오. 대리점 또는 서비스 센터에 문의할 경우 제품 제원이 필요합니다.

제품 제원

총전 앵글 그라인더	AG 4S-22-125
세대	02
일련 번호	

1.5 적합성 선언

본 제조사는 단독 책임 하에 여기에 기술된 제품이 통용되는 법 규정 및 규범과 일치함을 밝힙니다. 적합성 증명서 사본은 본 문서 끝 부분에서 확인할 수 있습니다.

기술 문서는 이곳에 기술되어 있습니다.

Hilti Entwicklungsgesellschaft mbH | Zulassung Geräte | Hiltistraße 6 | 86916 Kaufering, DE



2 안전

2.1 전동 공구에 대한 일반적인 안전상의 주의사항

⚠ 경고 해당 전동 공구와 함께 동봉된 모든 안전상의 주의 사항, 지침, 그림 및 기술자료를 숙지하십시오. 다음과 같은 지침 내용을 준수하지 않으면 전기 충격, 화재가 발생하거나 그리고/또는 중상을 입을 수 있습니다. 앞으로 모든 안전상의 주의사항과 지침을 보관하십시오.

안전상의 주의사항에서 사용되는 "전동 공구"라는 개념은 전원에 연결하여 사용하는 전동 공구(전원 케이블 있음) 또는 배터리를 사용하는 전동 공구(전원 케이블 없음)를 의미합니다.

작업장 안전수칙

- ▶ 작업장을 항상 깨끗이 하고 조명이 잘 들도록 하십시오. 어수선한 작업환경 또는 어두운 작업장은 사고를 초래할 수 있습니다.
- ▶ 인화성 액체, 가스 또는 먼지가 있어 폭발 위험이 있는 환경에서는 전동 공구를 사용하지 마십시오. 전동 공구는 먼지나 증기를 점화시킬 수 있는 스파크를 일으킵니다.
- ▶ 전동 공구를 사용할 때, 어린이들이나 다른 사람들이 작업장에 접근하지 못하도록 하십시오. 다른 사람의 방해로 인해 기기를 통제하기 어렵습니다.

전기에 관한 안전수칙

- ▶ 전동 공구의 전원 플러그가 소켓에 잘 끼워져야 합니다. 플러그를 절대 변형시켜서는 안됩니다. 접지된 전동 공구와 함께 아답타 플러그를 사용하지 마십시오. 변형되지 않은 플러그와 적합한 소켓을 사용하면 감전의 위험을 줄일 수 있습니다.
- ▶ 파이프, 히터, 전기레인지, 냉장고와 같은 접지 표면에 신체 접촉을 피하십시오. 신체에 닿을 경우 감전될 위험이 높습니다.
- ▶ 전동 공구가 비에 맞지 않도록 하고 습한 장소에 두지 마십시오. 전동 공구에 물이 들어가면 감전될 위험이 높습니다.
- ▶ 전원 케이블만 잡고 전동 공구를 운반하거나 걸어 놓아서는 안되며, 소켓에서 전원 플러그를 빼낼 때 케이블만 잡은 채로 빼내지 마십시오. 전원 케이블이 열, 오일, 날카로운 모서리 또는 부품의 가동 부위에 접촉하지 않도록 주의하십시오. 손상되거나 서로 꼬인 전원 케이블은 감전 위험을 높입니다.
- ▶ 실외에서 전동 공구를 이용하여 작업할 때, 실외용으로 승인된 연장 케이블만 사용하십시오. 실외용 연장 케이블을 사용하면 감전의 위험을 줄여줍니다.
- ▶ 전동 공구를 습한 환경에서 사용하는 것을 피할 수 없을 경우, 누전 차단기를 사용하십시오. 누전 차단기를 사용하면 감전 위험을 줄일 수 있습니다.

사용자 안전수칙

- ▶ 신중하게 작업하십시오. 작업에 정신을 집중하고 전동 공구를 사용할 때 경솔하게 행동하지 마십시오. 피곤하거나 항정신성 약물, 술 또는 약물 복용시에는 전동 공구를 사용하지 마십시오. 전동 공구 사용 시 이에 유의하지 않을 경우 심각한 부상을 초래할 수 있습니다.
- ▶ 안전 장비를 갖추고 보안경을 착용하십시오. 전동 공구의 종류와 사용에 따라, 먼지 보호 마스크, 미끄럼 방지용 안전 신발, 안전모 또는 귀마개 등과 같은 안전한 보호장비를 착용하면 부상의 위험을 줄일 수 있습니다.
- ▶ 실수로 기기가 작동하지 않도록 주의하십시오. 전동 공구를 전원 그리고/또는 배터리에 연결하기 전, 보관 또는 운반 전에 전동 공구가 스위치 OFF 상태인지 확인하십시오. 전동 공구 운반 시 스위치에 손가락을 대거나 스위치가 켜진 상태에서 전원을 연결하면 사고를 유발할 수 있습니다.
- ▶ 전동 공구의 스위치를 켜기 전, 조정공구 또는 렌치를 제거하십시오. 기기 회전부에 남아있는 공구나 렌치로 인해 부상을 입을 수 있습니다.
- ▶ 작업 시 비정상적인 자제는 피하십시오. 안전한 작업자세가 되도록 하고, 항상 균형을 유지하십시오. 이렇게 하여 예기치 않은 상황에서도 전동 공구를 잘 제어할 수 있습니다.
- ▶ 적합한 작업복을 착용하십시오. 헐렁한 복장이나 장식품을 착용하지 마십시오. 작동하는 기기 가동 부위에 머리, 옷 그리고 장갑이 가까이 닿지 않도록 주의하십시오. 헐렁한 복장, 장식품 혹은 긴 머리가 가동 부위에 말려 들어갈 수 있습니다.
- ▶ 먼지 제거장치나 수거장치를 설치할 수 있는 기기의 경우, 이 장치들이 연결되어 있는지 그리고 제대로 작동되는지를 확인하십시오. 먼지 포집장치 사용은 먼지로 인한 위험을 줄여줄 수 있습니다.
- ▶ 이 전동 공구를 여러번 사용해왔다고 해서 안전하다고 안심하지 말고 전동 공구에 해당하는 안전 규칙을 무시하지 마십시오. 부주의하게 행할 경우 아주 짧은 순간에 중상을 입을 수 있습니다.

전동 공구의 취급과 사용

- ▶ 기기에 과부하가 걸리지 않도록 하십시오. 귀하의 작업에 적합한 전동 공구를 사용하십시오. 적합한 전동 공구를 사용하면, 지정된 성능 한도 내에서 더 효율적으로 안전하게 작업할 수 있습니다.
- ▶ 스위치가 고장난 전동 공구는 사용하지 마십시오. 스위치가 작동되지 않는 전동 공구는 위험하므로, 반드시 수리를 해야 합니다.
- ▶ 기기 세팅을 실행, 액세서리를 교환 또는 기기를 보관하기 전에 컨택터를 전원소켓에서 그리고/또는 탈착식 배터리를 기기에서 빼놓으십시오. 이러한 조치는 실수로 전동 공구가 작동하지 않도록 방지합니다.



- ▶ 사용하지 않는 전동 공구는 어린이들의 손이 닿지 않는 곳에 보관하십시오. 기기 사용에 익숙치 않거나 또는 이 안전수칙을 읽지 않은 사람이 기기를 사용해서는 안 됩니다. 비숙련자가 전동 공구를 사용하면 위험합니다.
- ▶ 전동 공구 및 액세서리를 유의해서 관리하십시오. 기기의 가동 부위가 완벽하게 작동하는지, 끼어 있지 않은지, 혹은 부품이 손상되거나 파손되어 있어 전동 공구의 기능을 저하시키지 않는지 점검하십시오. 기기 사용 전 손상된 부품을 수리하도록 하십시오. 제대로 관리되지 않은 전동 공구는 많은 사고를 유발합니다.
- ▶ 절단기기는 날카롭고 깨끗하게 관리하십시오. 날카로운 절단면이 있고 잘 관리된 절단기기는 끼이는 경우가 드물고 조절하기도 쉽습니다.
- ▶ 본 지침에 따라 전동 공구, 액세서리, 공구 비트 등을 사용하십시오. 이 때 작업 조건과 실시하려는 작업 내용을 고려하십시오. 원래 사용 분야가 아닌 다른 작업에 전동 공구를 사용할 경우, 위험한 상황을 초래할 수 있습니다.
- ▶ 손잡이 및 손잡이 표면은 건조하고 깨끗하게, 그리고 오일과 그리스가 묻어있지 않도록 해야 합니다. 미끄러운 손잡이 및 손잡이 표면은 예상치 못한 상황에서 전동 공구를 안전하게 조작하고 제어할 수 없습니다.

배터리 공구의 취급과 사용

- ▶ 제조회사가 권장한 충전기에만 배터리를 충전시키십시오. 특정한 형식의 배터리를 사용하도록 규정되어 있는 충전기에 다른 배터리를 사용할 경우 화재 발생의 위험이 있습니다.
- ▶ 전동 공구에 적합하게 규정된 배터리만 사용하십시오. 다른 배터리를 사용하면 부상을 입을 수 있고, 화재가 발생할 수 있습니다.
- ▶ 배터리를 사용하지 않을 경우 클립, 동전, 키, 못, 나사 또는 다른 소형 금속 물질로부터 사용하지 않는 배터리를 멀리 떨어뜨려 놓아주십시오. 배터리 간 단락으로 인한 연소 또는 화재를 초래할 수 있습니다.
- ▶ 잘못 사용할 경우, 배터리로부터 전해액이 흘러나올 수 있습니다. 전해액을 직접 만지지 마십시오. 실수로 만졌을 경우, 물로 씻으십시오. 전해액이 눈에 들어갔으면, 의사와 상담하십시오. 배터리로부터 흘러나온 전해액은 피부를 손상시킬 수 있으며, 화재를 발생시킬 수 있습니다.
- ▶ 손상된 배터리 또는 변경된 배터리를 사용하지 마십시오. 손상된 배터리 또는 변경된 배터리는 예상치 못한 상황 및 화재, 폭발 또는 부상 위험을 초래할 수 있습니다.
- ▶ 배터리에서 불꽃이 발생하거나 또는 배터리가 너무 높은 온도에 노출되지 않게 하십시오. 불꽃 또는 온도가 130 °C (265 °F)를 넘으면 폭발을 일으킬 수 있습니다.
- ▶ 충전에 관한 모든 지침을 준수하여 배터리 또는 배터리 공구를 절대 사용 설명서에 제시된 범위를 벗어난 온도에서 충전하지 마십시오. 잘못 충전하거나 허용된 범위를 벗어난 온도에서 충전하면 배터리가 파손되어 화재 발생 위험이 높아질 수 있습니다.

서비스

- ▶ 전동 공구는 반드시 자격을 갖춘 전문가에 의해 그리고 순정 대체부품만 이용하여 수리해야 합니다. 이렇게 하여 기기의 안전성을 계속해서 유지할 수 있습니다.
- ▶ 손상된 배터리를 절대 수리하지 마십시오. 배터리 수리는 제조회사 또는 권한을 위임받은 고객 서비스센터에서만 이루어져야 합니다.

2.2 모든 작업에 대한 안전상의 주의사항

연삭, 사포 연삭, 와이어 브러시를 사용한 작업, 폴리싱 및 연삭 절단에 대한 일반 안전상의 주의사항:

- ▶ 이 전동 공구는 그라인더, 사포 그라인더, 와이어 브러시, 연마기, 홀 커터 및 절단 그라인더로 사용할 수 있습니다. 기기와 함께 공급되는 모든 안전상의 주의사항, 지침, 그림 및 기술자료에 유의하십시오. 다음 지침에 유의하지 않을 경우, 전기 쇼크, 화재 및 심각한 부상을 입을 수 있습니다.
- ▶ 본 전동 공구를 개조하여 공구 제조회사에서 전용 작업으로 설계 및 명시하지 않은 방식으로 사용하지 마십시오. 이렇게 개조하여 사용할 경우 통제력을 잃고 심각한 부상을 유발할 수 있습니다.
- ▶ 제조회사가 해당 전동 공구 전용으로 개발하지 않았거나 허용하지 않은 액세서리를 사용하지 마십시오. 액세서리는 전동 공구에 고정만 가능하기 때문에 안전한 사용은 보장되지 않습니다.
- ▶ 공구 비트의 허용 회전속도는 최소한 전동 공구에 제시된 최고 회전속도보다 높아야 합니다. 허용범위보다 빠르게 회전하는 액세서리는 파손되거나 분리될 수 있습니다.
- ▶ 공구 비트의 외경과 두께는 전동 공구의 치수 제한에 부합해야 합니다. 제한에 맞지 않는 공구 비트는 충분히 차폐, 제어할 수 없습니다.
- ▶ 나사부가 있는 공구 비트는 연삭 스피들의 나사부와 정확히 일치해야 합니다. 플랜지를 이용하여 장착되는 공구 비트의 경우, 공구 비트 구멍의 지경이 플랜지의 조립 직경과 일치해야 합니다. 전동 공구에 정확하게 고정되지 않은 공구 비트는 불규칙하게 회전하고 아주 강하게 진동하므로 사용자가 조절력을 상실할 수 있습니다.
- ▶ 손상된 공구 비트를 사용하지 마십시오. 매번 사용하기 전에, 그라인딩 디스크와 같은 공구 비트를 파손 및 균열에 대해, 그라인딩 플레이트를 균열, 마모 및 심한 마모에 대해, 와이어 브러시를 풀림 또는 와이어 파손에 대해 점검하십시오. 전동 공구 또는 공구 비트를 떨어뜨린 경우, 손상되었는지 점검하고 손상되지 않은 공구 비트를 사용하십시오. 공구 비트를 점검하고 설치할 경우, 작업자와 그 주변 사람들이 회전하고 있



는 공구 비트에서 떨어지도록 한 뒤 기기를 1분 동안 최고 회전속도로 작동시키십시오. 손상된 공구 비트는 대부분 테스트 시간 동안 부러집니다.

- ▶ 개인 보호장비를 착용하십시오. 기기를 사용할 때마다 완벽한 안전 보호장비 또는 보안경을 착용하십시오. 방진 마스크, 귀마개, 보호장갑 또는 특수 보호복 착용은 연삭 및 자재 미립자로부터 사용자를 보호합니다. 작업 시 발생하는 이물질이 눈에 들어가지 않도록 하십시오. 먼지를 발생시키는 작업 시 방진 마스크 또는 보호 마스크를 반드시 착용해야 합니다. 장시간 심한 소음에 노출될 경우 청각을 상실할 수 있습니다.
- ▶ 다른 사람이 작업장에서 안전한 거리를 확보하고 있는지 유의하십시오. 작업장에 있는 모든 사람은 개인 보호장비를 착용해야 합니다. 공작물의 부품 파편 또는 파손된 공구 비트가 멀리까지 날아갈 수 있으므로 직접 작업장에 있지 않아도 부상을 입을 수 있습니다.
- ▶ 숨겨진 전선에 공구 비트가 닿게 되는 작업을 실행할 경우, 항상 기기의 절연된 손잡이 부분을 잡으십시오. 전류가 흐르는 전선과 접촉하면 전동 공구의 금속 부위를 통해 감전이 될 수도 있습니다.
- ▶ 절대 공구 비트가 완전히 정지하기 전에 전동 공구를 내려놓지 마십시오. 회전하는 공구 비트가 표면에 닿으면 전동 공구의 통제력을 상실할 수 있습니다.
- ▶ 전동 공구를 운반하는 동안 작동시키지 않도록 하십시오. 의도하지 않게 웃이 회전하는 공구 비트에 말려 들어가, 이로 인해 신체에 부상을 입을 수 있습니다.
- ▶ 전동 공구의 환기 슬롯을 정기적으로 청소하십시오. 모터 블로어가 먼지를 하우징으로 끌어당기고 금속 먼지가 많이 축적되면 전기적 위험이 발생할 수 있습니다.
- ▶ 가연성 자재 근처에서 전동 공구를 사용하지 마십시오. 스파크로 인해 가연성 물질이 연소될 수 있습니다.
- ▶ 액상 냉각제를 필요로 하는 공구 비트를 사용하지 마십시오. 물 또는 기타 액상 냉각제를 사용하면 전기 쇼크를 일으킬 수 있습니다.

반동 현상과 안전상의 주의사항

반동 현상은 공구 비트(그라인딩 디스크, 그라인딩 플레이트, 와이어 브러시 등)가 회전하면서 끼이거나 막힘으로 인해 발생하는 갑작스러운 반응으로, 회전하는 공구 비트가 갑자기 멈추게 됩니다. 이로 인해 제어되지 않은 전동 공구가 공구 비트의 회전반대방향으로 가속됩니다.

예를 들어 그라인딩 디스크가 금속 제품에 끼이거나 블로킹 될 경우, 금속 제품에 그라인딩 디스크가 걸려 디스크가 손상되거나 반동을 유발합니다. 그라인딩 디스크는 블로킹 위치에서 디스크의 작동 방향에 따라 사용자가 있는 방향 또는 반대방향으로 움직이게 됩니다. 이때 그라인딩 디스크가 파손될 수 있습니다.

반동은 전동 공구의 잘못된 또는 결합이 있는 사용으로 인해 발생합니다. 반동 현상은 다음에서 설명하는 것과 같은 적절한 예방책을 통해 예방할 수 있습니다.

- ▶ 전동 공구를 양손으로 확실하게 고정시키고 신체와 팔을 기기의 반동력을 억제할 수 있는 위치에 놓으십시오. 기기 작동 시 반동력 또는 반동 토크에 대하여 최대한 기기를 통제할 수 있도록, 보조 손잡이가 장착되어 있을 경우 항상 이를 사용하십시오. 작업자는 적절한 예방 대책으로 반동력과 반응력을 통제할 수 있어야 합니다.
- ▶ 절대 회전하는 공구 비트에 손을 가까이 하지 마십시오. 반동 시 공구 비트가 작업자의 손 위로 될 수 있습니다.
- ▶ 반동 시 전동 공구가 작동하는 영역에 가까이 접근하지 않도록 하십시오. 반동으로 인해 전동 공구는 고정된 위치에서 그라인딩 디스크의 운동 방향과는 반대 방향으로 튕겨 됩니다.
- ▶ 구석, 날카로운 모서리 등에서 작업할 때 특히 주의하십시오. 공구 비트가 공작물로부터 튀거나 끼이지 않도록 하십시오. 회전하는 공구 비트는 구석, 날카로운 모서리에서 기울어지거나 튀어오를 경우, 고착되어 움직이지 않게 되기 쉽습니다. 이와 같은 현상이 통제력 상실 또는 반동의 원인이 됩니다.
- ▶ 체인 톱날 또는 치형 톱날 및 슬롯 폭이 10 mm를 넘는 분할된 다이아몬드 디스크를 사용하지 마십시오. 이러한 공구 비트는 자주 반동을 일으키거나 또는 전동 공구에 대한 통제력 상실의 원인이 될 수 있습니다.

연삭 및 연삭 절단에 대한 안전상의 주의사항:

- ▶ 전동 공구용으로 허용된 그라인딩 엘리먼트와 그라인딩 엘리먼트용으로 적합한 안전반만 사용하십시오. 전동 공구용으로 규정되지 않은 그라인딩 엘리먼트는 충분히 차폐될 수 없으며 안전하지 않습니다.
- ▶ 직각으로 굽은 연삭숫돌은 연삭면이 안전반의 가장자리에서 돌출되지 않도록 설치되어야 합니다. 안전반의 가장자리에 돌출되어 부적절하게 설치된 연삭숫돌은 충분히 단열되지 않습니다.
- ▶ 안전반은 가장 작은 그라인딩 엘리먼트가 사용자를 향하도록 전동 공구에 안전하게 설치되어야 합니다. 안전반은 사용자를 파손 부품, 그라인딩 엘리먼트와의 접촉을 막고, 작업복을 불태울 수 있는 스파크로부터 보호합니다.
- ▶ 그라인딩 엘리먼트는 허용하는 용도로만 사용해야 합니다. 예: 어떠한 경우에도 커팅 디스크의 측면으로 그라인딩하지 마십시오. 커팅 디스크는 디스크의 모서리로 재료를 커팅하도록 규정되어 있습니다. 이 그라인딩 엘리먼트의 측면에 작용하는 힘은 그라인딩 엘리먼트를 파손시킬 수 있습니다.
- ▶ 선택한 그라인딩 디스크용으로 항상 정확한 크기와 형태의 손상되지 않은 고정 플랜지를 사용하십시오. 적합한 플랜지는 그라인딩 디스크를 보호하고 그라인딩 디스크 파손의 위험을 감소시킵니다. 커팅 디스크용 플랜지는 다른 그라인딩 디스크용 플랜지와 구분할 수 있습니다.
- ▶ 대형 전동 공구에서는 마모된 그라인딩 디스크를 사용하지 마십시오. 대형 전동 공구용 그라인딩 디스크는 소형 전동 공구의 고속 작업용으로 설계되어 있지 않으며, 파손될 수 있습니다.



- ▶ 사용 가능한 그라인딩 엘리먼트를 두 배로 사용하는 경우, 상당 해당 작업 전용으로 지정된 안전반을 사용하십시오. 잘못된 안전반을 사용하면 보호 기능을 충분히 발휘하지 못해 중상을 입을 수 있습니다.

연삭 절단에 대한 기타 안전상의 주의사항:

- ▶ 커팅 디스크가 블로킹되거나 너무 높은 압착력을 받지 않도록 하십시오. 과도하게 깊이 절단하지 마십시오. 커팅 디스크의 과부하로 인해 디스크의 부하 및 블로킹 또는 기울기에 대한 민감도가 상승하여 반동되거나 그라인딩 엘리먼트가 파손될 수 있습니다.
- ▶ 회전하는 커팅 디스크의 앞 또는 뒤 영역에서 서 있지 마십시오. 공작물에서 커팅 디스크가 움직이면, 반동 시 회전하는 디스크와 함께 전동 공구가 바로 작업자쪽으로 미끄러질 수 있습니다.
- ▶ 커팅 디스크가 끼이거나 또는 작업이 중단될 경우, 기기를 차단하고 디스크가 정지할 때까지 그대로 두십시오. 여전히 작동하고 있는 커팅 디스크를 절단 부위에서 빼내려고 하지 마십시오. 반동이 일어날 수 있습니다. 끼임 현상의 원인을 확인하고 제거하십시오.
- ▶ 전동 공구가 공작물 안에 있을 경우, 전동 공구를 다시 켜지 마십시오. 절단을 조심스럽게 계속 진행하기 전에 먼저 커팅 디스크가 완전한 회전속도에 도달하도록 하십시오. 그렇지 않을 경우 디스크가 인터록되고 공작물로부터 튀어오르거나 또는 반동이 일어날 수 있습니다.
- ▶ 커팅 디스크의 끼임에 의한 반동의 위험을 최소화하기 위해 패널 또는 대형 공작물을 지지하십시오. 대형 공작물은 자체 중량으로 인해 휘어질 수 있습니다. 디스크 양쪽, 즉 절단 부위 근처와 가장자리 쪽에서 공작물을 받쳐줘야 합니다.
- ▶ 기중 벽이나 그 외 보이지 않는 영역에서 "삽입 절단" 시에 특히 주의를 기울이십시오. 삽입식 커팅 디스크는 가스 라인 또는 워터 라인, 전기 배선 또는 다른 물체에서 절단 시 반동의 원인이 될 수 있습니다.
- ▶ 곡선형으로 절단하지 마십시오. 커팅 디스크의 과부하로 인해 디스크의 부하 및 블로킹 또는 기울기에 대한 민감도가 상승하여 반동되거나 그라인딩 엘리먼트가 파손되어 중상을 입을 수 있습니다.

사포 연삭에 대한 안전상의 주의사항:

- ▶ 적합한 크기의 그라인딩 시트를 사용하십시오. 그라인딩 시트에 대한 제조회사 설명서를 준수하십시오. 그라인딩 플레이트보다 더 넓은 그라인딩 시트는 부상을 초래할 수 있을 뿐만 아니라 그라인딩 디스크의 블로킹, 파손 또는 반동을 유발할 수 있습니다.

폴리싱 작업에 대한 특별한 안전상의 주의사항:

- ▶ 폴리싱 후드에 풀려 있는 부품이 없도록, 특히 고정 끈이 풀려 있지 않도록 하십시오. 고정 끈을 보관하거나 길이를 줄이십시오. 느슨한 고정 끈이 함께 들어가면서 손가락에 잡히거나 작업물에 걸릴 수 있습니다.

와이어 브러시 작업에 대한 안전상의 주의사항:

- ▶ 와이어 브러시는 정상적으로 사용하는 동안에도 와이어가 떨어져 나간다는 점에 유의하십시오. 너무 높은 압착력으로 와이어에 큰 부하를 가하지 마십시오. 떨어져 비산되는 와이어는 아주 가벼워 얇은 옷을 뚫고 들어가거나 또는 피부에 박힐 수 있습니다.
- ▶ 안전반 사용을 규정하였을 경우, 안전반과 와이어 브러시를 직접 손으로 만지지 않도록 하십시오. 점시형 브러시와 냄비형 브러시는 압착력과 원심력에 의해 그 직경이 더 커질 수 있습니다.

2.3 그 외의 안전상의 주의사항

사용자 안전수칙

- ▶ 기술적 하자가 없는 상태에서만 제품 및 액세서리를 사용하십시오.
- ▶ 어떠한 경우에도 제품 또는 액세서리를 변경하거나 개조하지 마십시오.
- ▶ 항상 양손으로 제품의 손잡이를 잡고 공구를 고정시키십시오. 손잡이는 건조하고 깨끗하게, 그리고 오일과 그리스가 묻어있지 않도록 해야 합니다.
- ▶ 먼지를 발생시키는 작업을 할 때, 먼지 포집장치 없이 제품을 작동시킬 경우에는 보호 마스크를 착용해야 합니다.
- ▶ 손가락의 혈액순환이 잘 되도록 자주 휴식시간을 갖고, 휴식하는 동안 손가락 운동을 하십시오. 장시간 작업하면 강한 진동으로 인해 혈관 장애 또는 손가락, 손 및 손목의 신경 체계에 이상이 있을 수 있습니다.
- ▶ 회전하는 부품에 접촉하지 않도록 하십시오. 제품을 작업장으로 가져온 후에 기기의 전원을 켜십시오. 회전하는 부품들, 특히 회전하는 공구들에 접촉하면 부상을 당할 수 있습니다.
- ▶ 제품을 내려놓기 전에 제품이 완전히 정지할 때까지 기다리십시오.
- ▶ 본 제품은 교육을 받지 않은 약자가 사용할 수 없습니다. 어린이의 손에 닿지 않는 곳에 제품을 보관하십시오.
- ▶ 샌딩, 연마, 절단 및 드릴링 작업 시 발생하는 먼지에는 위험한 화학물질이 함유되어 있을 수 있습니다. 예를 들어 납 또는 납 계열의 페인트, 벽돌, 콘크리트 및 기타 조직 벽돌 제품, 자연석 및 기타 실리콘 함유 제품, 참나무, 너도밤나무 및 화학 처리된 목재 등과 같은 특정 목재, 석면 또는 석면이 함유된 자재 등이 있을 수 있습니다. 작업하는 자재의 위험 등급을 따라 조작자 및 주변에 있는 사람들의 노출 정도를 결정하십시오. 안전한 수준에서 노출이 이루어질 수 있도록 예를 들어 먼지 포집장치 사용 또는 적합한 보호 마스크 착용 등 필요한 조치를 취하십시오. 노출을 줄일 수 있는 일반적인 조치:
 - ▶ 환기가 잘 되는 곳에서 작업하기,
 - ▶ 장시간 먼지 접촉 피하기,



- ▶ 얼굴 및 신체의 먼지를 다른 곳으로 털어내기,
- ▶ 보호복장 착용 및 노출된 영역을 비누와 물로 세척하기.
- ▶ 제품을 사용하는 동안 사용자와 그 근처에 있는 사람들은 보안경, 안전모 및 귀마개를 사용해야 합니다.
- ▶ 공구 교체 시 보호장갑을 착용하십시오. 공구 비트에 닿으면 부상을 입거나 화상을 당할 수 있습니다.
- ▶ 떨어지는 공구 및/또는 액세서리 인한 부상 위험. 작업을 시작하기 전에 배터리 및 설치된 액세서리가 안전하게 고정되어 있는지 확인하십시오.
- ▶ 환기 슬롯은 항상 가려져 있지 않게 하십시오. 숨겨진 환기 슬롯으로 인한 화재 위험!
- ▶ 제품을 작업 위치로 가져온 후에만 제품의 전원을 켜십시오.
- ▶ 제품을 내려놓기 전에 제품이 완전히 정지할 때까지 기다리십시오.
- ▶ 제품이 작동 한계에 다다르거나 배터리가 방전되었을 경우, 공구가 모터로 제동이 걸리지 않습니다.
- ▶ 제품에 어떠한 벨트 후크도 고정시키지 마십시오.

전동 공구의 올바른 사용방법과 취급방법

- ▶ 그라인딩 디스크는 제조회사 지침에 따라 주의하여 보관하고 취급해야 합니다.
- ▶ 보호캡 없는 절단 제품을 사용하지 마십시오.
- ▶ 작업중인 물체를 고정시키십시오. 작업물(물체)을 움직이지 않게 고정시키도록 클램프 또는 바이스를 사용하십시오. 그렇게 함으로써 손으로 고정하는 것보다 더 안전하게 고정할 수 있을 뿐만 아니라, 양손을 제품 조작에 자유롭게 사용할 수 있습니다.
- ▶ 황삭 작업을 위해 커팅 디스크를 사용하지 마십시오.
- ▶ 공구 비트와 플랜지를 단단하게 조이십시오. 공구 비트와 플랜지를 단단하게 조이지 않을 경우, 스위치를 끄면 기기가 멈추면서 기기 모터로 인해 공구 비트가 스프링들로부터 풀릴 수 있습니다.

전기에 관한 안전수칙

- ▶ 작업을 시작하기 전에, 작업장에서 가려져 있거나 덮혀 있는 전기 배선, 가스 파이프 그리고 하수도관이 있는지를 점검하십시오. 전기 배선, 가스 파이프 또는 하수도관을 손상시킨 경우, 제품 바깥쪽에 있는 금속 부품에서 감전 또는 폭발을 유발할 수 있습니다.
- ▶ 전도성이 있는 소재에서 자주 작업할 경우, 오염된 제품을 정기적으로 Hilti 서비스 센터에서 점검받으십시오. 특히 전도성이 있는 재료에서 기기의 표면에 달라 붙어있는 먼지나 습기는 작업자의 기기조작을 어렵게 하며, 부적절한 조건에서는 전기 쇼크까지도 일으킬 수 있습니다.

작업장

- ▶ 천공 작업 시, 작업할 부분의 반대편이 안전하게 조치를 취하십시오. 천공 시 발생하는 분쇄물이 빠져 나오거나 또는 떨어지면서 다른 사람이 부상을 입을 수 있습니다.
- ▶ 벽의 홈 또는 다른 구조물에 드릴링 작업하는 것은 구조물의 안전에 영향을 미칠 수 있습니다(특히 보강철근 또는 부하지요소를 절단시). 작업을 시작하기 전에 담당 엔지니어, 건축가 또는 담당 건축 감독에게 문의하십시오.

보호캡 사용 관련 추가 지침

- 위험이 뒤따르지 않도록 항상 알맞은 보호캡을 사용하십시오(관련 단원: "사용한 장비에 디스크 배정" 참조).
- ▶ 평면 샌딩에 전면 커버가 있는 표준 보호 캡을 사용할 경우 보호 캡이 가공물에 닿아 조절력을 상실할 수 있습니다.
 - ▶ 와이어 브러쉬 사용 시 와이어 브러쉬의 두께가 허용되는 최대 두께를 초과하는 경우, 보호캡에서 와이어가 걸리거나 파손될 수 있습니다.
 - ▶ 연마성 커팅 디스크와 함께 금속 연삭 절단용 표준 보호캡 사용 시 불꽃 및 미립자 발생 위험이 있으며, 디스크 파손 시 디스크 파편에 노출될 수 있습니다.
 - ▶ 콘크리트 또는 조적 벽돌 절단 및 연삭용 전면 커버가 장착/미장착된 표준 보호캡 사용 시 먼지 발생이 늘고 제품에 대한 통제력을 상실하여 이로 인해 반동이 유발될 수 있습니다.

2.4 배터리의 올바른 사용방법과 취급방법

- ▶ 리튬 이온 배터리를 보다 안전하게 취급하고 사용할 수 있도록 다음과 같은 안전상의 주의 사항에 유의하십시오. 유의하지 않을 경우 피부 자극, 심각한 부식성 부상, 화학 화상, 화재 및/또는 폭발을 유발할 수 있습니다.
- ▶ 기술적 하자가 없는 상태에서만 배터리를 사용하십시오.
- ▶ 배터리를 조심히 다뤄 손상되지 않고, 건강에 유해한 액체가 흘러나오지 않게 하십시오!
- ▶ 배터리는 어떠한 경우에도 개조 또는 변조해서는 안 됩니다!
- ▶ 배터리를 분해하거나 강한 압력 또는 80 °C (176 °F) 이상의 열을 가하거나 연소시켜서는 안 됩니다.
- ▶ 타격을 받은 적이 있거나 다른 손상이 있는 배터리는 사용 또는 충전하지 마십시오. 손상될 기미가 보이는 지 정기적으로 점검하십시오.
- ▶ 재활용 또는 수리한 배터리는 절대 사용하지 마십시오.
- ▶ 배터리 또는 배터리 구성식 전동 공구를 절단 타격 공구로 사용하지 마십시오.



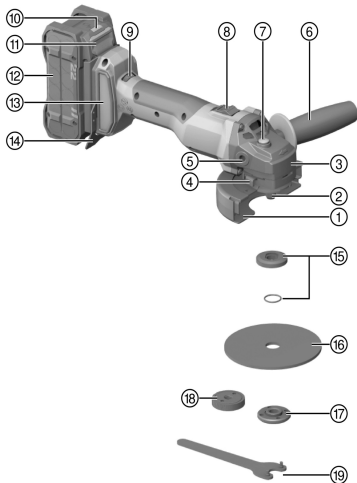
- ▶ 배터리가 직사광선, 고온, 스파크 또는 불꽃에 절대 노출되지 않도록 하십시오. 이로 인해 폭발이 발생할 수 있습니다.
- ▶ 배터리 전극을 손가락, 공구, 장신구 또는 다른 전도성 물체를 통해 만지지 마십시오. 이는 배터리 손상, 물적 손상 및 부상을 유발할 수 있습니다.
- ▶ 배터리가 비 또는 습기 및 액체에 노출되지 않게 하십시오. 습기가 유입되면 단락, 감전, 화재, 불꽃 및 폭발이 일어날 수 있습니다.
- ▶ 배터리 타입에 해당되는 충전기 및 전동공구만 사용하십시오. 이를 위해 해당 사용 설명서에 적혀 있는 내용을 확인하십시오.
- ▶ 폭발 위험이 있는 환경에서 배터리를 사용하거나 보관하지 마십시오.
- ▶ 배터리를 잡기에 너무 뜨거운 경우에는 고장일 수 있습니다. 배터리를 인화성 물질과 충분한 거리를 둔 상태에서 눈에 잘 띄며 불이 잘 붙지 않는 장소에 두십시오. 배터리를 냉각시키십시오. 한 시간 후에도 계속해서 배터리를 잡기에 너무 뜨거운 경우에는 배터리에 결함이 있을 수 있습니다. **Hilti** 서비스 센터에 문의하거나 "안전 및 **Hilti** 리튬 이온 배터리 작업 관련 지침" 문서 내용을 확인하십시오.



리튬 이온 배터리의 운반, 보관 및 사용 시 적용되는 특수 가이드라인에 유의하십시오. → 페이지 279
안전 및 Hilti 리튬 이온 배터리 작업 관련 지침은 본 사용 설명서의 끝부분에 제시된 QR 코드를 통해 확인할 수 있습니다.

3 제품 설명

3.1 제품 개요



- ① 표준 보호캡
- ② 스피들
- ③ 회전 방향 화살표
- ④ 캡 잠금해제 버튼
- ⑤ 손잡이용 나사 부싱
- ⑥ 측면 손잡이
- ⑦ 스피들 로킹 버튼
- ⑧ ON/OFF 스위치
- ⑨ 속도 제어
- ⑩ 배터리 상태 표시기
- ⑪ 배터리 잠금해제 버튼
- ⑫ 배터리
- ⑬ 먼지 필터
- ⑭ 스파크 가드
- ⑮ O-링 고정 플랜지
- ⑯ 커팅 디스크/보강 슷돌
- ⑰ 클램핑 너트
- ⑱ 킥 릴리스 너트 **Kwik lock** (옵션)
- ⑲ 렌치

3.2 규정에 맞는 사용

기술된 제품은 배터리 구동식 소형 앵글 그라인더입니다. 본 그라인더는 물을 사용하지 않고 금속성 재료의 연삭 절단과 황삭 가공, 브러시 작업 및 사포 연마 작업에 적합합니다. 건식 연마/절단 작업 용도로만 사용해야 합니다.

- 본 제품에는 모델시리즈 B 22의 **Hilti** Nuron 리튬이온 배터리만 사용하십시오. **Hilti**는 출력을 최적화할 수 있도록 본 제품에 본 사용 설명서의 끝부분 표에 명시된 배터리를 사용할 것을 권장합니다.
- 해당 배터리에는 본 사용 설명서 끝부분 표에 명시된 모델시리즈의 **Hilti** 충전기만 사용하십시오.

3.3 공급품목

앵글 그라인더, 측면 손잡이, 표준 보호캡, 전면 커버, 고정 플랜지, 클램핑 너트, 후크 렌치, 먼지 필터, 사용 설명서.



해당 제품에 허용되는 기타 시스템 제품은 **Hilti Store** 또는 다음 사이트에서 확인할 수 있습니다.
www.hilti.group

3.4 ATC

본 제품에는 전자 제어식 급속 차단장치 ATC (Active Torque Control)가 장착되어 있습니다. 공구 비트가 막히거나 또는 끼어 움직이지 않게 되면, 제품은 제어되지 않은 상태에서 갑작스럽게 반대 방향으로 돌아갑니다. ATC는 제품의 이러한 갑작스런 회전 움직임을 감지하고 즉시 제품의 전원을 차단합니다.

올바르게 작동하려면 제품이 회전할 수 있어야 합니다.
 급속 차단한 후 제품을 꺾다가 다시 켜십시오.

3.5 엔진 보호 기능

엔진 보호 기능은 전력소비 및 엔진 가열 상태를 감시하고 제품 과열을 방지합니다. 압착력이 너무 높아 모터가 과부하될 경우 제품의 성능이 눈에 띄게 약화되거나 제품 작동이 정지될 수 있습니다.

과부하로 인해 정지 상태 혹은 속도 감소가 발생할 경우, 부하를 제거하고 제품을 약 30초 동안 공회전 속도로 작동시키십시오.

3.6 내장되어 있는 브레이크

공구 비트의 감속 시간이 내장되어 있는 브레이크를 통해 정지 상태까지 줄어듭니다.

이 기능은 제품에 전원이 공급되어야 작동됩니다.
 선택한 공구 비트에 따라 제동 시간이 달라집니다.

3.7 상판

아래에 제시된 작업을 진행할 경우 상판 및 표준 커버를 사용하십시오.

- 직선형 보강 슛들을 이용한 황삭 가공
- 커팅 디스크를 이용한 연삭 절단

3.8 먼지 분리기(절단) DC-EX 125/5" C 소형캡(액세서리)

광물성 모재를 다이아몬드 절삭 연삭 디스크를 이용하여 연삭 절단하려면 소형캡 DC-EX 125/5" C를 사용하십시오.

이 캡으로 금속 작업을 하는 것은 금지됩니다.

3.9 먼지 분리기(절단) DC-EX 125/5" M(액세서리)

광물성 모재의 다이아몬드 절삭 디스크를 이용한 연삭 절단 및 홈 가공은 보호캡이 있는 경우에만 진행할 수 있습니다.

주의 이 캡으로 금속 작업을 하는 것은 금지됩니다.

3.10 먼지 분리기(연삭) DG-EX 125/5" (액세서리)

본 연삭 시스템은 다이아몬드 컵 휠로 광물성 모재를 연삭 가공하는 작업에만 적합합니다.

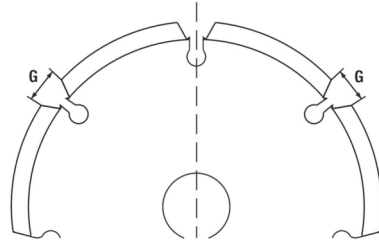
이 캡으로 금속 작업을 하는 것은 금지됩니다.



3.11 적합한 다이아몬드 홈가공 디스크의 형상

다이아몬드 홈가공 디스크는 다음과 같은 형상 기준을 충족해야 합니다.

기술자료	
세그먼트 사이의 홈 너비 (G)	≤ 10mm
절단각	네거티브



3.12 리튬이온 배터리 표시

Hilti Nuron 리튬 이온 배터리는 충전 상태, 오류 메시지 및 배터리 상태를 표시할 수 있습니다.

3.12.1 충전 상태 및 오류 메시지 표시

경고

부상 위험 떨어지는 배터리로 인한 위험!

- ▶ 배터리가 끼워진 상태에서 잠금해제 버튼을 누른 경우, 배터리가 사용하는 제품에 다시 제대로 고정되었는지 확인하십시오.

다음과 같은 표시를 확인하려면, 배터리 잠금해제 버튼을 짧게 누르십시오.

연결된 제품의 전원이 켜져 있는 동안 충전 상태 및 발생 가능한 장애 내용도 계속 표시됩니다.

상태	의미
4개 LED가 녹색으로 계속 점등됩니다	충전 상태: 100 % ~ 71 %
3개 LED가 녹색으로 계속 점등됩니다	충전 상태: 70 % ~ 51 %
2개 LED가 녹색으로 계속 점등됩니다	충전 상태: 50 % ~ 26 %
1개 LED가 녹색으로 계속 점등됩니다	충전 상태: 25 % ~ 10 %
1개 LED가 녹색으로 느리게 깜박입니다	충전 상태: < 10 %
1개 LED가 녹색으로 빠르게 깜박입니다	리튬이온 배터리가 완전히 방전되었습니다. 배터리를 충전하십시오. 배터리 충전 후에도 계속해서 LED가 빠르게 깜박이면, Hilti 서비스 센터에 문의해 주십시오.
1개 LED가 황색으로 빠르게 깜박입니다	리튬 이온 배터리 또는 배터리와 관련된 제품이 과부하되었거나, 너무 뜨겁거나 차갑거나 또는 다른 오류가 발생했습니다. 제품 및 배터리를 권장하는 작동 온도 상태로 유지하고, 제품을 사용하지 않을 경우 제품에 과부하가 걸리지 않도록 하십시오. 해당 메시지가 계속 존재하는 경우, Hilti 서비스 센터에 문의해 주십시오.
1개 LED가 황색으로 점등됩니다	리튬이온 배터리 및 배터리가 연결된 제품과 호환되지 않습니다. Hilti 서비스 센터에 문의해 주십시오.
1개 LED가 적색으로 빠르게 깜박입니다	리튬이온 배터리 사용이 금지되어 더 이상 사용할 수 없습니다. Hilti 서비스 센터에 문의해 주십시오.

3.12.2 배터리 상태 표시

배터리 상태를 조회하려면, 잠금해제 버튼을 3초 이상 누르고 계십시오. 낙하, 틈새 발생, 외부 요인으로 인한 열 손상 등 잘못된 사용으로 인해 시스템에서 잠재적으로 발생할 수 있는 배터리의 오작동을 감지하지 못합니다.

상태	의미
작동 표시등으로 모든 LED가 점등된 후 1개 LED가 녹색으로 계속 점등됩니다.	배터리를 계속해서 사용할 수 있습니다.
작동 표시등으로 모든 LED가 점등된 후 1개 LED가 황색으로 빠르게 깜박입니다.	배터리 상태 조회를 종료할 수 없습니다. 해당 과정을 반복하거나 Hilti 서비스 센터에 문의해 주십시오.



상태	의미
작동 표시등으로 모든 LED가 점등된 후 1개 LED가 적색으로 계속 점등됩니다.	연결된 제품을 계속해서 사용할 수 없는 경우, 남아 있는 배터리 용량이 50% 미만입니다. 연결된 제품을 계속해서 사용할 수 없는 경우, 배터리의 수명이 다 되어 교체해야 합니다. Hilti 서비스 센터에 문의해 주십시오.

4 소모품

회전속도 11000/min 이상 및 주변 속도 80 m/s 이상에 허용되는 합성수지 계열의 섬유 보강된 디스크만 최대 Ø 125 mm까지 사용할 수 있습니다.

주의! 커팅 디스크를 이용하여 절단 및 흠 가공할 때 항상 추가 전면 커버가 장착된 표준 보호캡 또는 전체가 폐쇄된 먼지 분리기를 사용하십시오.

디스크

모델	용도	표시	모재	최대 두께	최대 직경
연마 커팅 디스크	연삭 절단, 흠	AC-D	금속성	2.5mm	125mm
다이아몬드 커팅 디스크	연삭 절단, 흠	DC-TP, DC-D (SPX, SP, P)	광물성	3mm	125mm
연마성 보강 슛돌	황삭 가공	AG-D, AF-D, AN-D	금속성	6.4mm	125mm
다이아몬드 보강 슛돌	황삭 가공	DG-CW (SPX, SP, P)	광물성	—	125mm
와이어 브러쉬	와이어 브러쉬	3CS, 4CS, 3SS, 4SS	금속성	— 27mm	75mm 125mm
다이아몬드 코어비트	타일 드릴 작업	DD-M14	광물성	—	125mm
파이버 디스크	황삭 가공	AP-D	금속성	—	125mm

사용한 장비에 디스크 배정

위치	장비	AC-D	AP-D	AG-D, AF-D, AN-D	DG-CW (SPX, SP, P)	DC-TP, DC-D (SPX, SP, P)	3CS, 4CS, 3SS, 4SS, DD-M14
A	보호캡(표준)	✓	✓	✓	✓	✓	✓
B	상판(A와 결합)	✓	—	—	—	✓	—
C	먼지 분리기(연삭) DG-EX 125/5"	—	—	—	✓	—	—
D	먼지 분리기(절단) DC-EX 125/5"C(A와 결합)	—	—	—	—	✓	—
E	먼지 분리기(흠) DC-EX 125/5"M	—	—	—	—	✓	—
F	아답타 DC-EX SL(E와 결합)	—	—	—	—	✓	—
G	측면 손잡이(표준)	✓	✓	✓	✓	✓	✓
H	클램핑 너트(표준)	✓	—	✓	✓	✓	—
I	고정 플랜지(표준)	✓	—	✓	✓	✓	—
J	Kwik lock (H에 대한 옵션)	✓	—	✓	—	✓	—
K	클램핑 너트(파이버 디스크)	—	✓	—	—	—	—
L	서포트 플레이트(파이버 디스크)	—	✓	—	—	—	—



	AG 4S-22-125
정격 전압	21.6V
정격 회전 속도	8,500/min
최대 디스크 직경	125mm
EPTA-Procedure 01에 따른 무게(배터리 미포함)	2.1kg
구동 스피들 나사부	M14
스피들 길이	22mm
작동 시 주변 온도	-17 °C ... 60 °C (1 °F ... 140 °F)
보관 온도	-20 °C ... 70 °C (-4 °F ... 158 °F)

5.1 배터리

배터리 모드 전압	21.6V
배터리 무게	본 사용 설명서의 끝부분 참조
작동 시 주변 온도	-17 °C ... 60 °C (1 °F ... 140 °F)
보관 온도	-20 °C ... 40 °C (-4 °F ... 104 °F)
충전 시작 시 배터리 온도	-10 °C ... 45 °C (14 °F ... 113 °F)

5.2 62841-2-3:2021 규격에 따른 소음 정보 및 진동값

이 치함에 제시된 음압 및 진동수준은 표준화된 측정방법에 따라 측정된 것이며, 전동 공구를 서로 비교하기 위한 용도로 사용할 수 있습니다. 음압 및 진동 수준은 노출 정도를 사전에 예측하는 데에도 유용하게 사용할 수 있도록 설계되어 있습니다.

제시된 데이터는 전동 공구의 주된 용도를 나타냅니다. 그러나 전동 공구를 다른 용도로 사용하거나 다른 공구 비트를 사용할 경우 또는 유지보수를 충분히 하지 않은 상태에서는 데이터에 편차가 있을 수 있습니다. 이러한 경우 전 작업시간에 걸쳐 노출이 현저하게 증가할 수 있습니다.

노출을 정확하게 평가하기 위해서는 전동 공구 작동이 멈춰 있거나 또는 작동 중이지만 실제로는 사용하지 않는 시간을 고려해야 합니다. 이러한 경우 전 작업시간에 걸쳐 노출이 현저하게 감소할 수 있습니다.

사용자를 보호하기 위해 음파 그리고/또는 진동이 작용하기 전에 다음과 같은 추가적인 안전 조치를 취하십시오. 전동 공구와 공구 비트의 유지보수, 손을 따뜻하게 유지, 작업순서 정하기 등.

박판 또는 기타 면적이 큰 가벼운 진동 구조물을 샌딩할 경우 제시된 소음 배출값보다 높은 소음이 배출될 수 있습니다. 무겁고 유연한 단열 매트를 부착하는 등 소음 저감 조치를 취해 소음배출 생성을 줄일 수 있습니다. 소음 노출 위험을 평가하고 적절한 청력 보호 장치를 선택할 때는 항상 이와 같이 증가된 값을 고려해야 합니다.

소음 정보

	AG 4S-22-125
음압 수준 (L_{pA})	89dB(A)
음압 수준 허용공차 (K_{pA})	3dB(A)
소음 수준 (L_{WA})	97dB(A)
소음 수준 허용공차 (K_{WA})	3dB(A)

진동 정보

절단 작업과 같은 다른 용도로 사용할 경우 진동값이 차이날 수 있습니다.

	AG 4S-22-125	
표면 연삭 ($a_{h,AG}$)	B 22-55	5.1m/s ²
	B 22-255	5.4m/s ²
허용공차 (K)		1.5m/s ²



6 작업 준비

경고

부상 위험 돌발적인 작동!

- ▶ 배터리를 끼우기 전에 해당 제품의 전원이 꺼져 있는지 확인하십시오.
- ▶ 기기 설정 또는 액세서리를 교체하기 전에 배터리를 제거하십시오.

본 문서 및 제품에 나와 있는 안전 지침 및 경고 지침에 유의하십시오.

6.1 배터리 충전

1. 충전하기 전에 충전기의 사용 설명서를 읽으십시오.
2. 배터리 및 충전기의 접점이 청결하고 건조한 상태인지 확인하십시오.
3. 허용되는 충전기에서 배터리를 충전하십시오. → 페이지 270

6.2 배터리 삽입

경고

부상 위험 부상 위험!

- ▶ 배터리를 끼우기 전에 배터리의 접점 및 제품의 접점에 이물질이 남아 있지 않은지 확인하십시오.
- ▶ 배터리가 제대로 고정되었는지 확인하십시오.

1. 처음으로 사용하기 전, 배터리를 완전히 충전하십시오.
2. 배터리가 제품에 고정되는 소리가 들릴 때까지 미십시오.
3. 배터리가 정확하게 설치되어 있는지 점검하십시오.

6.3 배터리 제거

1. 배터리의 잠금 해제 버튼을 누르십시오.
2. 배터리를 제품에서 빼내십시오.

6.4 Hilti 낙하방지벨트 장착(옵션)



제품을 이용해 작업하는 도중 높은 위치에서 작업할 경우, 반드시 관련 국가 규정에 유의하십시오. 낙하방지벨트의 사용 설명서 내용에 유의하십시오.

1. 낙하방지벨트의 양쪽 러그를 볼꽃 방지판 위에 맞춰 정확하게 올려 놓으십시오.
2. 해당 스크류를 볼꽃 방지판에 지정된 홀을 관통시켜 낙하방지벨트를 고정시키십시오.
3. 배터리를 삽입하십시오. → 페이지 275

6.5 추락 방지장치

경고

부상 위험 떨어지는 공구 및/또는액세서리에 의한 유발!

- ▶ 해당 제품에 권장하는 Hilti 공구 고정끈만 사용하십시오.
- ▶ 사용하기 전에 항상 공구 고정끈의 고정점에 손상된 곳이 없는지 확인하십시오.



공중 작업에 대한 국가별 규정에 유의하십시오.

해당 제품의 추락 방지장치로는 Hilti 낙하 방지 장치 #2293133 및 Hilti 공구 고정끈 #2261970을 결합한 것만 사용하십시오.

- ▶ 낙하 방지 벨트를 액세서리의 조립 구멍에 고정시키십시오. 확실하게 고정되었는지 점검하십시오.
- ▶ 공구 고정끈의 카라비너 후크 한쪽을 낙하 방지 벨트에 고정하고, 지지하는 구조물에 다른 카라비너 후크를 고정시키십시오. 두 카라비너 후크가 확실하게 고정되었는지 점검하십시오.



Hilti 낙하 방지 벨트 및 Hilti 공구 고정끈의 사용 설명서 내용에 유의하십시오.



6.6 측면 손잡이 설치

- ▶ 지정된 나사 부싱에 측면 손잡이를 조이십시오.

6.7 보호캡 장착 또는 탈거

주의

부상 위험. 공구 비트가 뜨겁거나 모서리가 날카로울 수 있습니다.

- ▶ 조립, 분리, 조정 작업 및 고장 제거 시 보호장갑을 착용하십시오.

- ▶ 보호캡에 관한 조립설명서 내용에 유의하십시오.

6.7.1 표준 보호캡 설치



보호캡은 해당 제품에 맞는 보호캡만 장착될 수 있도록 코딩키를 보유하고 있습니다. 보호캡과 코딩키는 제품의 보호캡 마운트에 장착되어 있습니다.

1. 보호캡과 제품의 두 삼각형 표시가 서로 마주보도록 보호캡을 스피들넥 위에 끼우십시오.
2. 보호캡을 스피들넥 위에 대고 누르십시오.
3. 캡의 잠금해제 버튼을 누르고 보호캡이 끼워질 때까지 원하는 위치로 돌리십시오.
 - ▶ 캡 잠금해제 버튼이 되돌아 옵니다.

6.7.2 표준 보호캡 조정

- ▶ 캡의 잠금해제 버튼을 누르고 보호캡이 끼워질 때까지 원하는 위치로 돌리십시오.

6.7.3 표준 보호캡 분리

1. 캡 잠금해제 버튼을 누르고 보호캡 및 제품의 두 각형 표시가 서로 마주볼 때까지 보호캡을 돌리십시오.
2. 보호캡을 분리하십시오.

6.8 전면 커버 설치 또는 분리



전면 커버는 표준 보호캡에 끼워야 합니다.

1. 전면 커버의 달힌 면이 위쪽 표준 보호캡을 향하게 설치하십시오.
 - ▶ 로킹 메커니즘이 잠기는 소리가 들려야 합니다.
2. 분리하려면, 전면 커버의 로킹 메커니즘을 푸십시오.
3. 표준 보호캡에서 전면 커버를 분리하십시오.

6.9 공구 비트 장착 또는 탈거

주의

부상 위험. 공구 비트가 뜨거워질 수 있습니다.

- ▶ 공구 비트 교체 시 보호장갑을 착용하십시오.



다이아몬드 디스크는 절단 및 연삭 성능이 현저히 떨어지면 즉시 교체해야 합니다. 이는 일반적으로 다이아몬드 세그먼트의 높이가 2 mm 보다 낮을 경우에 해당됩니다.

절단 기능이 현저히 떨어지거나 또는 작업하는 동안 앵글 그라인더 부품(디스크 제외)이 작업 소재와 접촉하는 경우 바로 디스크 타입을 교체해야 합니다.

연마 디스크는 유효기간이 만료되면 교환해야 합니다.

6.9.1 공구 비트 장착

경고

부상 위험. 공구 모터에 제동을 걸 때 공구 비트가 풀릴 수 있습니다.

- ▶ 공구 비트 또는 클램핑 너트를 잡기 전에 공구 비트가 정지할 때까지 기다리십시오.
- ▶ 공구 비트 및 고정 플랜지를 클램핑 너트와 함께 단단히 조여서 공구 모터에 제동을 걸 때 스피들에서 부품이 풀리지 않도록 하십시오.



1. 고정 플랜지 및 클램핑 너트를 청소하십시오.
2. 고정 플랜지에 O-링이 존재하는지 그리고 손상되지 않았는지 점검하십시오.
 - ▶ O-링이 없거나 손상된 경우 이를 교체하십시오.
3. 고정 플랜지를 스프링들이 움직이지 않도록 정확하게 끼우십시오.
4. 공구 비트를 끼우십시오.
5. 클램핑 너트를 사용된 공구 비트에 맞춰서 조이십시오.
6. 스프링들 잠금 버튼을 누른 다음, 그대로 누르고 계십시오.
7. 후크 렌치를 이용하여 클램핑 너트를 조인 다음, 이어서 스프링들 잠금 버튼에서 손을 떼고 클램핑 너트를 제거하십시오.

6.9.2 공구 비트 분리

경고

파열 위험 및 파손 위험. 스프링들이 돌아가는 동안 스프링들 잠금버튼이 놓리면, 공구 비트가 풀릴 수 있습니다.

- ▶ 스프링들 잠금버튼은 스프링들이 정지된 상태에서만 누르십시오.
1. 스프링들 잠금 버튼을 누른 다음, 그대로 누르고 계십시오.
 2. 후크 렌치를 끼우고 시계 방향으로 돌려 클램핑 너트를 푸십시오.
 3. 스프링들 잠금 버튼에서 손을 떼고 공구 비트를 분리하십시오.

6.9.3 Kwik lock 장착

경고

파손 위험. 과도한 마모로 인해 킥 릴리스 너트(Kwik lock)가 부러질 수 있습니다.

- ▶ 작업 중 킥 릴리스 너트(Kwik lock)가 모재와 접촉하지 않도록 유의하십시오.
- ▶ 손상된 킥 릴리스 너트 Kwik lock를 사용하지 마십시오.



클램핑 너트 대신에 킥 릴리스 너트 Kwik lock를 사용할 수 있습니다. 이렇게 하면 공구 비트를 보조 공구 없이 교환할 수 있습니다.

1. 고정 플랜지와 클램핑 너트를 깨끗이 하십시오.
2. 고정 플랜지에 O-링이 존재하는지 그리고 손상되지 않았는지 점검하십시오.
 - ▶ O-링이 없거나 손상된 경우 이를 교체하십시오.
3. 고정 플랜지를 스프링들이 움직이지 않도록 정확하게 끼우십시오.
4. 공구 비트를 끼우십시오.
5. 공구 비트에 안착될 때까지 킥 릴리스 너트 Kwik lock를 볼트로 체결하십시오.
 - ▶ 볼트로 체결한 상태에서 문자 표시 Kwik lock가 보입니다.
6. 스프링들 잠금 버튼을 누르고 계십시오.
7. 공구 비트를 킥 릴리스 너트 Kwik lock가 완전히 조여질 때까지 손으로 시계방향으로 계속 돌리십시오.
8. 스프링들 잠금 버튼에서 손을 떼십시오.

6.9.4 Kwik lock 분리



킥 릴리스 너트 Kwik lock가 손으로 풀리지 않으면, 킥 릴리스 너트에 후크 렌치를 설치하여 시계 반대 방향으로 돌리십시오. 절대 먼저 파이프 렌치를 사용하지 마십시오. 킥 릴리스 너트 Kwik lock가 잘못된 공구로 인해 손상될 수 있습니다.

1. 스프링들 잠금 버튼을 누르십시오.
2. 킥 릴리스 너트를 손으로 시계 반대 방향으로 돌려 킥 릴리스 너트 Kwik lock를 푸십시오.
3. 스프링들 잠금 버튼에서 손을 떼고 공구 비트를 분리하십시오.

6.9.5 코어비트 설치

1. 측면 손잡이를 설치하십시오. → 페이지 276
2. 표준 보호캡을 설치하십시오.
3. 코어비트를 설치한 다음, 이를 단단히 조이십시오.
4. 스프링들 잠금 버튼을 누른 다음, 그대로 누르고 계십시오.
5. 적합한 스페너를 이용하여 코어비트를 조이십시오.
6. 이후 스프링들 잠금 버튼에서 손을 떼고 스페너를 제거하십시오.



6.9.6 와이어 브러쉬 설치

1. 측면 손잡이를 설치하십시오. → 페이지 276
2. 표준 보호캡을 설치하십시오.
3. 와이어 브러쉬를 설치한 다음, 단단히 조이십시오.
4. 스피들 잠금 버튼을 누른 다음, 그대로 누르고 계십시오.
5. 와이어 브러쉬를 적합한 스패너를 이용하여 조이십시오.
6. 이후 스피들 잠금 버튼에서 손을 떼고 스패너를 제거하십시오.

6.9.7 파이버 디스크 설치

1. 측면 손잡이를 설치하십시오. → 페이지 276
2. 표준 보호캡을 설치하십시오.
3. 서포트 플레이트 및 파이버 디스크를 설치한 후 클램핑 너트를 단단히 조이십시오.
4. 스피들 잠금 버튼을 누른 다음, 그대로 누르고 계십시오.
5. 후크 렌치를 이용하여 클램핑 너트를 조이십시오.
6. 이후 스피들 잠금 버튼에서 손을 떼고 후크 렌치를 제거하십시오.

7 조작

7.1 전원 켜기

1. ON/OFF 스위치 뒷 부분을 누르십시오.
2. ON/OFF 스위치를 앞쪽으로 밀어 주십시오.
 - ▶ 모터가 작동합니다.
3. ON/OFF 스위치를 잠그십시오.

7.2 샌딩 작업

경고

부상 위험. 공구 비트가 갑자기 막히거나 걸릴 수 있습니다.

- ▶ 항상 측면 손잡이를 이용하여 제품을 사용하고, 제품이 움직이지 않게 양손으로 잡으십시오.

공구 비트가 끼이지 않게 하고, 제품에 과도한 압력을 가하지 마십시오.

7.3 연삭 절단

- ▶ 연삭 절단 시에 적절한 이송 속도로 작업하고 제품 또는 커팅 디스크를 기울이지 마십시오(작업 위치는 절단면 기준 대략 90°).



최소형의 단면부에서 커팅 디스크를 설치하면, 측면부와 사각 파이프를 최상의 결과로 절단하게 됩니다.

7.4 황삭 가공

경고

부상 위험. 커팅 디스크가 파열되어 분리된 부품으로 인해 부상을 입을 수 있습니다.

- ▶ 절대로 황삭 작업을 위해 커팅 디스크를 사용하지 마십시오.

- ▶ 제품을 진입 각도 5° ~ 30°로 적절한 압력을 가해 앞뒤/좌우로 이동시키십시오.
 - ▶ 작업물이 과열 및 변색되지 않으며 금이 생기지 않습니다.

7.5 전원 끄기

- ▶ ON/OFF 스위치 뒷 부분을 누르십시오.
 - ▶ ON/OFF 스위치가 자동으로 OFF 위치로 바뀌고 모터가 정지합니다.



8 관리 및 유지보수

경고

배터리가 끼워진 상태에서 부상 위험!

- ▶ 관리 및 수리 작업을 진행하기 전에 항상 배터리를 제거하십시오!

위험

보호 단열재가 없으므로 인한 전기 충격. 극단적인 작업 조건에서 금속 작업을 진행할 경우 기기 내부에서 전도성이 있는 먼지(예: 금속, 탄소 섬유)가 쌓여 보호 단열재에 영향을 줄 수 있습니다.

- ▶ 극단적인 작업 조건에서는 정적인 흡인장치를 사용하십시오.
- ▶ 환기 슬롯을 자주 세척하십시오.

제품 관리

- 공구에 부착되어 있는 오염물질을 조심스럽게 제거하십시오.
- 약간 물기가 있는 수건으로만 하우징을 청소해 주십시오. 플라스틱 부품을 손상시킬 수 있으므로 절대로 실리콘이 함유된 보호제를 사용하지 마십시오.
- 제품의 접점을 청소하려면 깨끗하고 마른 천을 사용하십시오.

리튬 이온 배터리 관리

- 환기 슬롯이 막힌 상태에서는 절대 배터리를 사용하지 마십시오. 부드러운 마른 솔로 환기 슬롯을 조심스럽게 청소하십시오.
- 배터리가 불필요하게 먼지 또는 오염물에 노출되지 않도록 하십시오. 배터리를 절대 습도가 높은 곳에 두지 마십시오(예: 물 속에 담그거나 비내리는 곳에 두는 행위).
배터리에 물이 들어가면, 손상된 배터리처럼 취급하십시오. 물이 들어간 배터리는 비가연성 용기에서 절연시킨 후, **Hilti** 서비스 센터에 문의해 주십시오.
- 배터리를 외부 오일 및 그리스가 묻지 않도록 깨끗하게 유지하십시오. 배터리에 불필요하게 먼지 또는 오염물이 쌓이지 않도록 하십시오. 배터리를 부드러운 마른 솔 또는 깨끗하고 마른 걸레로 닦아내십시오. 플라스틱 부품을 손상시킬 수 있으므로 절대로 실리콘이 함유된 보호제를 사용하지 마십시오.
배터리의 접점에 접촉하지 말고, 접점에서 공구축에 부착된 그리스를 제거하지 마십시오.
- 약간 물기가 있는 수건으로만 하우징을 청소해 주십시오. 플라스틱 부품을 손상시킬 수 있으므로 절대로 실리콘이 함유된 보호제를 사용하지 마십시오.

유지보수

- 눈에 보이는 모든 부품은 정기적으로 손상 여부를 점검하고, 조작성소가 문제 없이 작동하는지 점검하십시오.
- 손상되었거나 기능 장애가 있는 경우에는 제품을 작동하지 마십시오. 즉시 **Hilti** 서비스 센터에 제품 수리를 의뢰하십시오.
- 관리 및 수리 작업 후 모든 보호장치를 가져와 기능에 이상이 없는지 점검하십시오.



안전하게 작동하기 위해서는 순정품 예비 부품 및 소모품만 사용하십시오. **Hilti**에서 승인한 예비 부품, 소모품 및 액세서리는 **Hilti Store** 또는 www.hilti.group

9 충전식 공구 및 배터리 운반 및 보관

운반

주의

운반 시 돌발적으로 작동될!

- ▶ 제품은 항상 배터리를 장착하지 않은 상태로 운반하십시오!
- ▶ 배터리를 분리하십시오.
- ▶ 배터리를 고정하지 않은 채로 운반해서는 절대 안 됩니다. 운반하는 도중 배터리에 과도한 충격을 받거나 진동이 발생하지 않게 하고 모든 전도성 소재 또는 다른 배터리로부터 분리시켜 다른 배터리 전극에 닿지 않고 단락이 발생하지 않게 하십시오. 배터리와 관련된 현지 운반 규정에 유의하십시오.
- ▶ 배터리는 우편을 통해 전달할 수 없습니다. 손상이 없는 배터리를 전송하고자 하는 경우 배송업체에 문의하십시오.
- ▶ 제품 및 배터리를 사용하기 전에 그리고 장시간 운반한 후에는 항상 손상 여부를 점검하십시오.



보관

경고

배터리 결함 또는 방전으로 인한 돌발적인 손상!

- ▶ 제품은 항상 배터리를 장착하지 않은 상태로 보관하십시오!
- ▶ 제품 및 배터리를 냉각 및 건조시켜 보관하십시오. 기술자료에 제시된 허용 온도 한계값에 유의하십시오.
- ▶ 배터리를 충전기에 보관하지 마십시오. 충전 후에는 항상 배터리를 충전기에서 분리하십시오.
- ▶ 배터리는 절대 직사광선이 들어오는 곳, 열원 위 또는 유리 뒤쪽에 보관하지 마십시오.
- ▶ 제품 및 배터리는 건조한 상태로 어린이나 외부인의 손이 닿지 않는 곳에 보관하십시오.
- ▶ 제품 및 배터리를 사용하기 전에 그리고 장시간 보관한 후에는 항상 손상 여부를 점검하십시오.

10 문제 발생 시 도움말

장애 발생 시 항상 배터리의 충전 상태 및 고장 표시 내용에 유의하십시오. 리튬이온 배터리 표시 단원을 참조하십시오.

본 도표에 제시되어 있지 않거나 스스로 해결할 수 없는 문제가 발생한 경우 Hilti 서비스 센터에 문의해 주십시오.

장애	예상되는 원인	해결책
제품의 스위치가 켜지지 않음.	배터리가 방전되었음.	▶ 배터리를 교체하고 방전된 배터리를 충전하십시오.
배터리가 평소보다 더 빨리 방전됨.	주변 온도가 너무 낮음.	▶ 실온에서 배터리를 서서히 따뜻하게 하십시오.
배터리를 밀어 넣을 때 찰칵하는 소리가 들리지 않음.	배터리 래치 오염됨.	▶ 배터리 래치를 청소하고 배터리를 다시 끼우십시오.
앵글 그라인더 또는 배터리에서 과도한 열 발생.	전기적 결함.	▶ 즉시 제품의 전원을 끄고, 배터리를 분리하여 관찰하면서 열을 식하십시오. Hilti 서비스 센터에 문의하십시오.
	환기 슬롯 막힘	▶ 환기 슬롯을 주기적으로 청소하십시오.
모터의 제동 기능 없음.	배터리가 방전되었음.	▶ 배터리를 교체하고 방전된 배터리를 충전하십시오.
	제품이 잠깐 동안 과부하됨.	▶ 제품을 꺾다가 다시 켜십시오.

11 폐기

경고

부적절한 폐기로 인한 부상 위험! 새어나오는 가스 또는 용액으로 인한 건강상의 위험.

- ▶ 손상된 배터리는 전달하지 마십시오!
- ▶ 비전도성 소재로 연결 단자를 막아 두어 단락이 발생하지 않게 하십시오.
- ▶ 배터리가 어린이의 손에 닿지 않도록 폐기하십시오.
- ▶ Hilti Store에서 배터리를 폐기하거나 또는 담당 폐기물 처리 업체에 문의하십시오.

Hilti 제품은 대부분 재사용이 가능한 소재로 제작되었습니다. 재활용을 위해 개별 부품을 분리하여 주십시오. Hilti는 대부분의 국가에서 재활용을 위해 노후기를 수거해 갑니다. Hilti 고객 서비스 센터 또는 판매 상 담당자에게 문의하십시오.



- ▶ 전통 공구, 전자식 기기 및 배터리를 일반 가정 쓰레기로 폐기하지 마십시오!

12 제조회사 보증

- ▶ 보증 조건에 관한 질문사항은 현지 Hilti 파트너사에 문의하십시오.

13 기타 정보

작동법, 기술, 환경 및 재활용에 대한 세부 정보는 qr.hilti.com/manual/?id=2252233&id=2252235&id=2251374에서 확인할 수 있습니다.



해당 링크는 본 문서 끝에 QR 코드 형식으로도 제시되어 있습니다.

オリジナル取扱説明書

1 取扱説明書について

1.1 本取扱説明書について

- 警告事項！** 本製品をご使用になる前に、同梱の取扱説明書と指示事項、安全上の注意、警告表示、図および製品仕様を読んで、その内容を理解を理解してください。特に、すべての指示事項、安全上の注意、警告表示、図、製品仕様、構成部品と機能に精通しているようにしてください。これを怠ると、感電、火災、および/または重傷事故の危険があります。後日確認できるように、取扱説明書とすべての指示事項、安全上の注意、警告表示を保管しておいてください。
- HILTI** 製品はプロ仕様で製作されており、その使用、保守、修理を行うのは、認定を受けトレーニングされた人のみに限ります。これらの人は、遭遇し得る危険に関する情報を入手していなければなりません。製品およびアクセサリーの使用法を知らない者による誤使用、あるいは規定外の使用は危険です。
- 製品に同梱されている取扱説明書は、印刷の時点で最新の技術状況を反映しています。オンラインの Hilti 製品ページで常に最新バージョンをご確認ください。これについては、本取扱説明書のリンク、または QR コード (📄 の記号) に従ってください。
- 他の人が使用する場合には、本製品とともにこの取扱説明書を一緒にお渡しく下さい。

1.2 記号の説明

1.2.1 警告表示

警告表示は製品の取扱いにおける危険について警告するものです。以下の注意喚起語が使用されています：



危険

危険！

▶ この表記は、重傷あるいは死亡事故につながる危険性がある場合に注意を促すために使われます。



警告

警告！

▶ この表記は、重傷あるいは死亡事故につながる可能性がある場合に注意を促すために使われます。



注意

注意！

▶ この表記は、身体の負傷あるいは物財の損傷が発生する可能性がある場合に使われます。

1.2.2 取扱説明書の記号

この取扱説明書では、以下の記号が使用されています：

	取扱説明書に注意してください
	本製品を効率良く取り扱うための注意事項や役に立つ情報
	リサイクル可能な部品の取扱い
	電動工具およびバッテリーを一般ゴミとして廃棄してはなりません
	Hilti Li-Ion バッテリー
	Hilti 充電器

1.2.3 図中の記号

図中では以下の記号が使用されています：



2251374

2	この数字は本取扱説明書冒頭にある該当図を示しています。
3	付番は図中の作業手順の順序に対応していて、本文の作業手順とは一致しない場合があります。
11	概要図には項目番号が付されていて、製品概要セクションの凡例の番号に対応しています。
	この記号は、製品の取扱いの際に特に注意が必要なことを示しています。

1.3 製品により異なる記号

1.3.1 製品に表示されている記号

製品には以下の記号が使用されている場合があります：

	アイシールドを着用してください
n_0	無負荷回転数
/min	毎分回転数
RPM	毎分回転数
\varnothing	直径
==	直流
	切断作業は、標準カバーなしでは行わないでください。
	常に両手で作業してください。
	本製品は、iOS および Android プラットフォームと互換性のある NFC テクノロジーをサポートしています。
Li-Ion	Li-Ionen バッテリー
	バッテリーは決して打撃工具として使用しないでください。
	バッテリーは落下させないでください。ぶつけたり、あるいはその他の理由で損傷しているバッテリーは使用しないでください。

1.4 製品情報

製品はプロ仕様で製作されており、その使用、保守、修理を行うのは、認定を受けトレーニングされた人のみに限ります。これらの人は、遭遇し得る危険に関する情報を入手していなければなりません。製品およびアクセサリーの使用法を知らない者による誤使用、あるいは規定外の使用は危険です。

機種名および製造番号は銘板に表示されています。

- ▶ 製造番号を以下の表に書き写しておいてください。ヒルティ代理店やサービスセンターへお問い合わせの際には、製品データが必要になります。

製品データ

バッテリー式アングルグラインダー	AG 4S-22-125
製品世代	02
製造番号	

1.5 適合宣言

製造者は、単独の責任において本書で説明している製品が有効な法規と有効な標準規格に適合していることを宣言します。適合宣言書の複写は本書の末尾にあります。

技術資料は本書の後続の頁に記載されています：

Hilti Entwicklungsgesellschaft mbH | Zulassung Geräte | Hiltistraße 6 | 86916 Kaufering, DE



2 安全

2.1 電動工具の一般安全注意事項

⚠ 警告事項 本電動工具に付属のすべての安全上の注意、指示事項、図、および製品仕様をお読みください。以下の指示を守らないと、感電、火災および / または重傷事故の危険があります。

安全上の注意および指示事項が書かれた説明書はすべて大切に保管してください。

安全上の注意で使用する用語「電動工具」とは、お手持ちの電動ツール（電源コード使用）またはバッテリーツール（コードレス）を指します。

作業環境に関する安全

- ▶ 作業場はきれいに保ち、十分に明るくしてください。ちらかった暗い場所での作業は事故の原因となります。
- ▶ 爆発の危険性のある環境（可燃性液体、ガスおよび粉じんのある場所）では電動工具を使用しないでください。電動工具から火花が飛散し、粉じんや揮発性ガスに引火する恐れがあります。
- ▶ 電動工具の使用で、子供や無関係者を作業場へ近づけないでください。作業中に気がそらされると、本体のコントロールを失ってしまう恐れがあります。

電気に関する安全注意事項

- ▶ 電動工具の接続プラグは電源コンセントにきちんと適合しなければなりません。プラグは絶対に変更しないでください。保護接地した電動工具と一緒にアダプタープラグを使用しないでください。オリジナルのプラグと適切なコンセントを使用することにより、感電の危険を小さくすることができます。
- ▶ パイプ、ラジエーター、電子レンジ、冷蔵庫などのアースされた面に体の一部が触れないようにしてください。体が触れると感電の危険が大きくなります。
- ▶ 電動工具を雨や湿気から保護してください。電動工具に水が浸入すると、感電の危険が大きくなります。
- ▶ 電動工具を持ち運んだり、吊り下げたり、コンセントからプラグを抜いたりするときは、必ず本体を持ち、電源コードを持ったり引っ張ったりしないでください。電源コードを火気、オイル、鋭利な刃物、可動部等に触れる場所に置かないでください。電源コードが損傷したり絡まったりしていると、感電の危険が大きくなります。
- ▶ 屋外工事の場合には、必ず屋外専用の延長コードを使用してください。屋外専用の延長コードを使用すると、感電の危険が小さくなります。
- ▶ 湿った場所で電動工具を作動させる必要がある場合は、漏電遮断器を使用してください。漏電遮断器を使用すると、感電の危険が小さくなります。

作業者に関する安全

- ▶ 電動工具を使用の際には、油断せずに十分注意し、常識をもった作業をおこなってください。疲れている場合、薬物、医薬品服用およびアルコール飲用による影響下にある場合には電動工具を使用しないでください。電動工具使用中の瞬間の不注意が重傷の原因となることがあります。
- ▶ 個人用保護具および保護メガネを常に着用してください。負傷の危険を低減するために、電動工具の使用状況に応じた粉じんマスク、耐滑性の安全靴、ヘルメット、耳栓などの個人用保護具を着用してください。
- ▶ 電動工具の意図しない始動を防止して下さい。電動工具を電源および / またはバッテリーに接続する前や本体を持ち上げたり運んだりする前に、本体がオフになっていることを必ず確認してください。オン / オフスイッチが入っている状態で電動工具のスイッチに指を掛けたまま運んだり、電源に接続したりすると、事故の原因となる恐れがあります。
- ▶ 電動工具のスイッチを入れる前に、必ず調節キーやレンチを取り外してください。調節キーやレンチが本体の回転部に装着されたままでは、けがの原因となる恐れがあります。
- ▶ 作業中は不安定な姿勢をとらないでください。足元を安定させ、常にバランスを保つようにしてください。これにより、万一電動工具が異常状況に陥った場合にも、適切な対応が可能となります。
- ▶ 作業に適した作業着を着用してください。だぶだぶの衣服や装身具を着用しないでください。髪、衣服、手袋を本体の可動部に近づけないでください。だぶだぶの衣服、装身具、長い髪が可動部に巻き込まれる恐れがあります。
- ▶ 吸じんシステムの接続が可能な場合には、これらのシステムが適切に接続、使用されていることを確認してください。吸じんシステムを利用することにより、粉じん公害を防げます。
- ▶ 電動工具の取扱いに熟練している場合にも、正しい安全対策を遵守し、電動工具に関する安全規則を無視しないでください。不注意な取扱いは、ほんの一瞬で重傷事故を招くことがあります。

電動工具の使用および取扱い

- ▶ 無理のある使用を避けてください。作業用途に適した電動工具を使用してください。適切な電動工具の使用により、効率よく、スムーズかつ安全な作業が行えます。
- ▶ スwitchが故障している場合には、電動工具を使用しないでください。スイッチで始動および停止操作のできない電動工具は危険ですので、修理が必要です。



- ▶ 本体の設定やアクセサリーの交換を行う前や本体を保管する前には電源プラグをコンセントから抜き、および / または脱着式のバッテリーを取り外してください。この安全処置により、電動工具の意図しない始動を防止することができます。
- ▶ 電動工具をご使用にならない場合には、子供の手の届かない場所に保管してください。電動工具に関する知識のない方、本説明書をお読みでない方による本体のご使用は避けてください。未経験者による電動工具の使用は危険です。
- ▶ 電動工具とアクセサリーは慎重に手入れしてください。可動部分が引っ掛かりなく正常に作動しているか、電動工具の運転に影響を及ぼす各部分が破損・損傷していないかを確認してください。電動工具をご使用になる前に、損傷部分の修理を依頼してください。事故の多くは保守管理の不十分な電動工具の使用が原因となっています。
- ▶ 先端工具は鋭利で汚れない状態を保ってください。お手入れのゆきとどいた先端工具を使用すると、作業が簡単かつ、スムーズになります。
- ▶ 電動工具、アクセサリー、先端工具などは、それらの説明書に記載されている指示に従って使用してください。その際は、作業環境および用途についてもご注意ください。指定された用途以外に電動工具を使用すると危険な状況をまねく恐れがあります。
- ▶ グリップとグリップ面は乾燥した清潔な状態に保ち、オイルやグリスの付着がないようにしてください。グリップやグリップ面が滑りやすい状態になっていると、予期していない状況が発生した際に電動工具を安全に使用 / 制御できません。

バッテリー工具の使用および取扱い

- ▶ バッテリーを充電する場合は、必ずメーカー推奨の充電器を使用してください。特定タイプのバッテリー専用の充電器を他のバッテリーに使用すると、火災の恐れがあります。
- ▶ 電動工具には、必ず指定されたバッテリーを使用してください。指定以外のバッテリーを使用すると、負傷や火災の恐れがあります。
- ▶ 使用されていないバッテリーの近くに、事務用クリップ、硬貨、キー、釘、ネジ、その他の小さな金属物を置かないでください。電気接点の短絡が起こることがあります。バッテリーの電気接点間が短絡すると、火傷や火災が発生する危険があります。
- ▶ 正しく使用しないと、液漏れが発生することがあります。その場合、漏れた液には触れないでください。もしも触れてしまった場合は、水で洗い流してください。バッテリー液が眼に入った場合は、水で洗い流してから医師の診察を受けてください。流出したバッテリー液により、皮膚が刺激を受けたり火傷を負う恐れがあります。
- ▶ 損傷したあるいは変更が加えられたバッテリーは使用しないでください。損傷したあるいは変更が加えられたバッテリーは、予測不可能な挙動により爆発あるいは負傷事故を発生させる危険があります。
- ▶ バッテリーは火気あるいは高温に曝さないでください。火気あるいは 130 °C (265 °F) を超える高温は、爆発の原因となることがあります。
- ▶ 充電に関するすべての指示事項に従い、バッテリーあるいはバッテリー工具は、決して取扱説明書に記載された温度範囲外で充電しないでください。正しくない充電あるいは許容温度範囲外での充電により、バッテリーが破壊され火災が発生する危険があります。

サービス

- ▶ 電動工具の修理は必ず認定サービスセンターにお申し付けください。また、必ず純正部品を使用してください。これにより電動工具の安全性が確実に維持されます。
- ▶ 損傷したバッテリーは決して手入れや保守を行わないでください。バッテリーの保守作業はすべて、メーカーあるいは権限のあるお客様サービスセンターが行うものとします。

2.2 すべての作業に関する安全上の注意

研磨、紙やすり研磨、ファイアブラシを使用した作業、つや出しおよび切断研磨に共通する安全上の注意：

- ▶ この電動工具は、グラインダー、紙やすりグラインダー、ファイアブラシ、ポリッシャー、ホールカッターおよびフリクションソーとして使用することができます。本体に関するすべての安全上の注意、注意事項、図、データに注意してください。以下の注意事項を守らないと、感電、火災および / または重傷事故の発生する危険があります。
- ▶ この電動工具は、工具メーカーの設計・仕様とは異なる作動をするように改造しないでください。そのような改造は、電動工具を制御できなくなり重傷事故が発生する原因となることがあります。
- ▶ 本電動工具用としてメーカーにより専用開発され、使用を許可されたものではないアクセサリーは使用しないでください。お使いの電動工具にアクセサリーを固定できるというだけでは安全な使用は保証されません。
- ▶ 先端工具の許容回転数は、電動工具に記載された最高回転数よりも高くなければなりません。許容回転数よりも速く回転するアクセサリーは、破損あるいは外れて飛び回る恐れがあります。
- ▶ 先端工具の外径と厚さは、お使いの電動工具の仕様に対応するものでなければなりません。間違ったサイズの先端工具は十分に保護または制御できません。



- ▶ ネジ式インサート付きの先端工具は、研磨スピンドルのネジに厳密に適合したものでなければなりません。フランジにより取り付ける先端工具の場合は、先端工具の穴の直径がフランジの取付け部直径に適合している必要があります。電動工具に確実に固定されていない先端工具は、回転が不安定になり、非常に激しい振動を起こして制御不能に陥る恐れがあります。
- ▶ 損傷した先端工具は使用しないでください。先端工具を使用する前に毎回、研磨ディスクに欠損や亀裂がないか、バックリングパッドに亀裂、摩耗、激しい損耗がないか、ワイアブラシに緩みや折れたワイアがないかをチェックしてください。電動工具または先端工具を落としたりした場合は、損傷がないかを点検し、損傷のない先端工具を使用してください。先端工具の点検および取り付け後は、作業者やその他の人員が先端工具の回転エリアに入らないようにして、本体を最高回転数で1分間作動させてください。先端工具に損傷がある場合は、たいていのテスト時間内に先端工具が折れます。
- ▶ 個人保護用具を着用してください。使用状況に応じて、フルフェイスガード、アイシールドあるいは保護メガネを着用してください。有効な場合は、防じんマスク、耳栓、保護手袋、作業材料の細かな剥離片や破片から身体を保護する特殊エプロンを着用してください。さまざまな使用状況において異物の飛散が生じます。飛散する異物から目を保護してください。防じんマスクは、作業時に発生する粉じんを捕集するものでなくてはなりません。長時間大きな騒音にさらされていると、聴覚に悪影響が出る恐れがあります。
- ▶ 作業以外の人は作業場から安全な距離だけ遠ざけてください。関係者は全員、作業場で個人保護用具を着用しなければなりません。作業材料や折れた先端工具の破片が飛散して、作業場外の人も負傷する危険があります。
- ▶ 作業の実施に伴い先端工具が隠れている電線に接触する可能性がある場合は、必ず絶縁されたグリップ面でも電動工具を保持するようにしてください。通電しているケーブルと接触すると、本体の金属部分にも電圧がかかり、感電の危険があります。
- ▶ 必ず電動工具が完全に停止してから電動工具を置いてください。電動工具を置いたときに先端工具が回転していると、電動工具が制御不能に陥る恐れがあります。
- ▶ 電動工具を身体に保持している間は本体を作動させないでください。回転する先端工具に衣服が接触すると、衣服が巻き込まれて先端工具が身体に食い込む危険があります。
- ▶ 電動工具の通気溝は定期的に清掃してください。モーターブローが埃をハウジング内に引き込んで金属粉じんが大量に堆積すると、電気的な危険が発生する恐れがあります。
- ▶ 可燃物の近くで電動工具を使用しないでください。可燃物に火花が飛んで燃える可能性があります。
- ▶ 冷却液が必要な先端工具は使用しないでください。水やその他の冷却液を使用すると、感電が発生する可能性があります。

反動とそれに対する安全上の注意

反動は、研磨ディスク、バックリングパッド、ワイアブラシなどの回転している先端工具が噛んだりブロックされたりしたことに起因する突発的な反応です。先端工具が噛んだりブロックされたりすると、回転している先端工具が突然停止します。これにより電動工具は、ブロックが生じた位置において制御されることなく先端工具の回転方向と反対の方向に加速されます。

例えば、研磨ディスクが作業材料の中で噛んだりブロックされたりすると、作業材料に入り込んだ研磨ディスクの縁部が引っかかって破損したり、反動が起きたりすることがあります。その際は、ブロックされた箇所でのディスクの回転方向により、研磨ディスクが作業者の方向やその逆方向に動きます。この場合研磨ディスクが折損することもあります。

電動工具の取り扱いが正しくないと、反動が生じます。反動は、以下に示すような適切な予防措置を取ることで防止することができます。

- ▶ 電動工具は両手でしっかりと支え、反力を受け止めることができるように身体と腕を構えます。高速作動時の反力や反発モーメントを最大限制御できるように、常に補助グリップ（装備されている場合）を使用してください。作業者は適切な安全処置を施すことにより反動を防止することができます。
- ▶ 手を回転する先端工具から遠ざけてください。反動で先端工具が手に向かって動く可能性があります。
- ▶ 反動が生じた際に電動工具が動く領域から身体を遠ざけてください。電動工具は、ブロックされた箇所において反動により研磨ディスクの動きと反対方向に動きます。
- ▶ 特に角部や鋭い縁部などの領域では慎重に作業してください。先端工具が作業材料から跳ね返ったり、噛んだりしないようにしてください。回転中の先端工具は、角部や鋭い縁部で、あるいはパウンドしたときに噛みやすくなります。その場合、制御不能に陥ったり反動が生じたりします。
- ▶ チェーンソーブレードや歯の付いたソーブレード、スロットが10 mm以上のセグメント付きダイヤモンドディスクは使用しないでください。この種の先端工具を使用すると、頻繁に反動が生じたり電動工具が制御不能になったりします。

研磨および切断研磨に特定の安全上の注意：

- ▶ お使いの電動工具に許可されたグラインダー本体と、そのグラインダー本体専用の保護カバーのみを使用してください。お使いの電動工具用ではないグラインダー本体は、絶縁が十分でないことがあり安全ではありません。



- ▶ フック状の研磨ディスクは、研磨面が保護カバー端部の高さより突出しないように取り付けする必要があります。誤まって保護カバー端部の高さより突出して取り付けられた研磨ディスクは十分に保護できません。
- ▶ 保護カバーは確実に電動工具に取り付けられていて、最大限の安全性を確保するために、グラインダー本体の最も小さい部品を作業者が確認できるように調整されていなければなりません。保護カバーは、作業者を破片、誤ってグラインダー本体と接触すること、あるいは衣服に着火する可能性のある火花から保護します。
- ▶ グラインダー本体は必ず許可された用途にのみ使用してください。例：カットングディスクのサイド面で研磨しないでください。カットングディスクは、ディスクの縁部で材料を切断するように規定されています。このグラインダー本体へ横方向の力を加えると、折損する可能性があります。
- ▶ テンションフランジは、必ずサイズと形状が選択した研磨ディスクに合った損傷していないものを使用してください。適切なフランジは研磨ディスクをしっかりと支え、ディスク破損の危険を抑えます。カットングディスク用のフランジは他の研磨ディスク用のフランジと異なることがあります。
- ▶ 大型電動工具の摩耗した研磨ディスクは使用しないでください。大型電動工具の研磨ディスクは小型電動工具の高回転数には適合せず、破損の恐れがあります。
- ▶ 2通りに使用できるグラインダー本体を使用している場合は、必ずそれぞれの使用目的に合った所定の保護カバーを使用してください。正しくない保護カバーを使用すると保護機能が十分ではなく、重傷事故の原因となることがあります。

切断研磨に特定のその他の安全上の注意：

- ▶ カットングディスクがブロックされたり、押し付けが強くなりすぎないようにしてください。過度に深い切断は行わないでください。カットングディスクに過度な負荷がかかると、応力が強くなってディスクが曲がったりブロックされやすくなるため、反動やディスク破損が生じる可能性が高くなります。
- ▶ 回転中のカットングディスクの前後領域から身体を離してください。カットングディスクを作業材料から離す場合、回転するディスクにより反力を受けた電動工具が直接作業者に向かって跳ね返る危険があります。
- ▶ カットングディスクが噛んだ場合や作業を中断する場合は、本体の電源をオフにして、ディスクが完全に停止するまで本体を保持してください。まだ回転しているカットングディスクを切断箇所から取り出そうとしないでください。反動が生じる原因となります。ディスクが噛む場合は、その原因を突き止めて適切な処置を施してください。
- ▶ 電動工具が作業材料内にある間は電動工具のスイッチを再びオンにしないでください。カットングディスクが最高回転数に達してから、切断を慎重に再開してください。この手順を守らないと、ディスクが引っかけた作業材料から飛び出たり、反動が生じることがあります。
- ▶ 噛んだカットングディスクによる反動の危険を最小限に抑えるために、プレートや大型の作業材料にはサポートを施してください。大型の作業材料はそれ自身の重みでたわむことがあります。作業材料はディスクの両側、つまり切断箇所付近と縁部で支える必要があります。
- ▶ 既存の壁やその他の見通しのきかない領域で「フランジカット」を行う場合は特に注意してください。押し込んだカットングディスクはガス管、水道管、電気配線、その他の対象物に食い込んで反動を引き起こすことがあります。
- ▶ 曲線状に切断しようと試みしないでください。カットングディスクに過度な負荷がかかると、応力が強くなってディスクが曲がったりブロックされやすくなるため、反動やディスク破損が生じる可能性が高くなり、重傷事故の原因となることがあります。

紙やすり研磨に特定の安全上の注意：

- ▶ 必ず適切なサイズの紙やすりを使用してください。紙やすりサイズに関するメーカー指示に従ってください。バックパッドから大きくはみ出た紙やすりは、負傷の原因となったり、動作停止、紙やすりの破れ、または反動を引き起こすことがあります。

つや出しに特定の安全上の注意：

- ▶ ポリッシャーカバーの部品、特に固定ストリングは緩んでいてはなりません。固定ストリングは確実にしまるか、あるいは短くしてください。緩んで供回りする固定ストリングが指を挟んだり、あるいは作業材料に絡まることがあります。

ワイヤブラシを使用した作業に特定の安全上の注意：

- ▶ ワイヤブラシは通常の使用においてもワイヤ部分が擦り減ることに注意してください。強く押し過ぎてワイヤに過度な負荷をかけないでください。飛散するワイヤ片は薄手の衣服を突き抜けて皮膚まで達することがあります。
- ▶ 保護カバーの使用が指定されている場合には、保護カバーとワイヤブラシが接触しないように注意してください。ディスク型およびポット型ブラシの場合、押し付け力と遠心力でその直径が拡大することがあります。



2.3 その他の安全上の注意

作業者に関する安全

- ▶ 本製品とアクセサリーは、必ず技術的に問題のない状態で使用してください。
- ▶ 本製品あるいはアクセサリーには、決して加工や改造を加えないでください。
- ▶ 本製品は、常に両手でグリップを掴んでしっかりと保持してください。グリップ表面は乾燥させ、清潔に保ち、オイルやグリスで汚さないようにしてください。
- ▶ 本製品に集じん装置を取り付けずに作業をする場合、作業される方は防じんマスクを着用しなければなりません。
- ▶ 頻繁に休憩を取って、指を動かして血行を良くするように心がけてください。長時間作業の際には、強い振動により指、手あるいは手首の関節の血管あるいは神経系に障害が発生する可能性があります。
- ▶ 回転部分には手を触れないでください。本製品の電源は必ず作業場に入れてください。回転部分、特に回転している先端工具は負傷の原因となります。
- ▶ 本製品は完全に停止するまで置かないでください。
- ▶ 本製品は、体の弱い人が指示を受けずに使用するには向いていません。本製品は子供の手が届かないところに保管してください。
- ▶ 研磨、紙やすり研磨、切断および穿孔の際に発生する粉じんは、化学物質を含んでいる場合があります。これには、鉛、あるいは鉛ベースの塗料、レンガ、コンクリートおよびその他の壁用資材、自然石およびその他の珪酸塩含有製品、樫、櫨などの特定の木材、および化学処理の施された木材、アスベストあるいはアスベストが含まれる母材、などが考えられます。作業対象の資材の危険等級により、作業者および周囲の人員の曝露を確認してください。曝露を安全なレベルに維持するために、粉じん吸引システムの使用、あるいは適切な防じんマスクの着用などの必要な処置を取ってください。曝露の低減のための一般的な処置としては、以下のようなものがあります：
 - ▶ 十分に換気された領域での作業
 - ▶ 粉じんと長時間の接触の回避
 - ▶ 粉じんを顔や体から遠ざける
 - ▶ 保護服を着用し、水と石鹸で曝露領域を洗浄する。
- ▶ 本製品の使用中は、作業者および現場で直近に居合わせる人々は、アイシールド、保護ヘルメット、耳栓を着用しなければなりません。
- ▶ 先端工具の交換時には保護手袋を着用してください。先端工具に触れると、切創事故や火傷の原因となることがあります。
- ▶ 落下する先端工具および / またはアクセサリーによる負傷の危険。作業を開始する前に、バッテリーおよび取り付けたアクセサリーが確実に固定されていることを確認してください。
- ▶ 通気溝は常にふさがないようにしてください。通気溝が覆われることによる火傷の危険！
- ▶ 本製品は、作業位置に運んでからスイッチを入れるようにしてください。
- ▶ 本製品は完全に停止するまで置かないでください。
- ▶ 本製品が作動限界の超過あるいはバッテリーが空であることを検知すると、先端工具がモーターにより制動されなくなることがあります。
- ▶ ベルトフックを本製品に固定しないでください。

電動工具の慎重な取扱および使用

- ▶ 研磨ディスクの保管および取り扱いにはメーカーの指示に従い、細心の注意を払って行ってください。
- ▶ 本製品は決して保護カバーを取り付けずに使用しないでください。
- ▶ 作業材料を固定します。作業材料を締め付ける時は、クランプあるいは万力を使用してください。この方が手で押さえるよりも確実であり、また本製品の操作に両手を自由に使うことができます。
- ▶ 切断研磨ディスクを粗削り研磨に使用しないでください。
- ▶ 先端工具とフランジをしっかりと締め付けてください。先端工具またはフランジがしっかりと締め付けられていないと、スイッチオフの後、制動の際に先端工具が本体モーターによりスピンドルから外れる危険があります。

電気に関する安全注意事項

- ▶ 作業を開始する前に、作業領域に埋設された電線、ガス管や水道管がないかを調査してください。電線、ガス管あるいは水道管を損傷すると、本製品外側の金属部分での感電事故、あるいは爆発が発生する可能性があります。
- ▶ 導電性のある母材に対する作業を頻繁に行う場合は、定期的にHilti サービスセンターに本製品の点検を依頼してください。本体表面に埃（特に導電性のある物質の埃）、あるいは泥や水分が付くと、好ましくない条件下においては感電の原因となることがあります。

作業場の安全確保

- ▶ 剥がし作業の場合には、作業側と反対の領域を保護してください。剥がれた部分が脱落、落下して他の人を傷つける危険があります。



- ▶ 支持壁やその他の構造物への切込み、特に鉄筋または鉄骨梁の除去は静力学に影響を及ぼします。作業を開始する前に、担当の静力学専門家や建築家、あるいは現場管理責任者に問い合わせてください。

保護カバーの使用に関する追加の注意事項

以下のリスクを回避するため、常に適切な保護カバーを使用してください。「ディスクと装備の組合せ」の章を参照してください。

- ▶ 正面研磨にフロントカバー付きの標準保護カバーを使用すると、保護カバーが作業材料に接触し、それにより本製品を制御できなくなることがあります。
- ▶ 許容最大太さより太いワイアブラシを使用すると、ワイアが保護カバーにからまって破断することがあります。
- ▶ アブレーションカッティングディスクによる金属の切断研磨に標準保護カバーを使用すると、火花や微粒子発生、またディスクの破損の際にはディスクの破片が飛散するリスクが高くなります。
- ▶ コンクリートあるいは石材の切断および研磨にフロントカバーとともにあるいはフロントカバーなしで標準保護カバーを使用すると、粉じんの発生が激しくなり、本製品を制御できなくなり、反動が発生するリスクが高くなります。

2.4 バッテリーの慎重な取扱いおよび使用

- ▶ **Li-Ion** バッテリーの安全な取扱いと使用のために、以下の安全上の注意を遵守してください。これを守らないと、皮膚の炎症、重篤な腐食負傷、化学火傷、火災および / あるいは爆発の原因となることがあります。
- ▶ バッテリーは、必ず技術的に問題のない状態で使用してください。
- ▶ 損傷を防止して健康にとってきわめて危険なバッテリー液の漏出を防ぐため、バッテリーは慎重に取り扱ってください！
- ▶ バッテリーは決して改造したり手を加えたりしないでください！
- ▶ バッテリーを分解したり、挟んだり、80°C (176°F) 以上に加熱したり、燃やしたりしないでください。
- ▶ ぶつかけたり、あるいはその他の損傷を受けたバッテリーは、使用したり充電したりしないでください。バッテリーは、損傷の痕跡がないか定期的に点検してください。
- ▶ リサイクルあるいは修理されたバッテリーは、決して使用しないでください。
- ▶ バッテリーまたはバッテリー式電動工具は、決して打撃工具として使用しないでください。
- ▶ バッテリーは、決して直射日光、高温、火花の発生、裸火に曝さないでください。これを守らないと、爆発の原因となります。
- ▶ バッテリーの電極に、指、工具、装身具あるいはその他の導電性のある物体で触れないようにしてください。これを守らないと、バッテリーの損傷、物財の損傷および負傷の原因となることがあります。
- ▶ バッテリーを雨、湿気、液体から保護してください。バッテリー内に湿気が入り込むと、短絡、感電、火傷、火災あるいは爆発の原因となることがあります。
- ▶ 必ずご使用のバッテリータイプ用に指定された充電器と電動工具を使用してください。これについては、充電器や電動工具の取扱説明書の記述を確認してください。
- ▶ バッテリーは、爆発の可能性がある場所で使用あるいは保管しないでください。
- ▶ バッテリーが掴むことのできないほどに熱くなっている場合は、故障している可能性があります。バッテリーを、目視確認が可能で可燃物のない場所に、可燃性の資材から十分な距離を設けて置いてください。バッテリーを冷ます。1時間の経過後にも掴むことのできないほどに熱い場合は、そのバッテリーは故障している可能性があります。Hilti サービスセンターにご連絡いただくか、あるいは「Hilti の Li-Ion バッテリーの安全と使用についての注意事項」をお読みください。

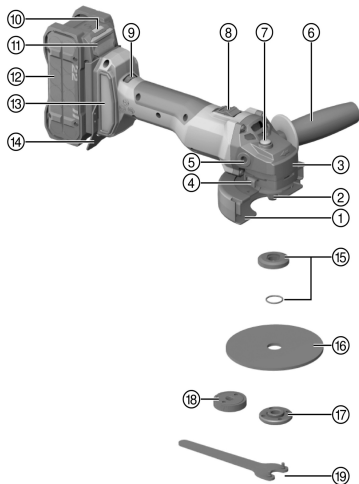


Li-Ion バッテリーの搬送、保管および使用に適用される特別の規則を遵守してください。→ 頁 298
本取扱説明書巻末の QR コードをスキャンして、Hilti の Li-Ion バッテリーの安全と使用についての注意事項をお読みください。



3 製品の説明

3.1 製品概要



- ① 標準保護カバー
- ② スピンドル
- ③ 回転方向矢印
- ④ カバーリリースボタン
- ⑤ グリップ用ねじ込みブッシュ
- ⑥ サイドハンドル
- ⑦ スピンドルロックボタン
- ⑧ ON/OFF スイッチ
- ⑨ 速度調整
- ⑩ バッテリーステータス表示
- ⑪ バッテリーリリースボタン
- ⑫ バッテリー
- ⑬ 粉じんフィルター
- ⑭ スパーク保護プレート
- ⑮ Oリング付きテンションフランジ
- ⑯ 切断研磨ディスク / 粗削り研磨ディスク
- ⑰ クランピングナット
- ⑱ **Kwik lock** クイッククランピングナット (オプション)
- ⑲ テンションレンチ

3.2 正しい使用

本書で説明している製品は、手持ち式の充電式アングルグラインダーです。この工具は、金属および鋳物母材の切断研磨と粗削り研磨、ブラッシングおよび紙やすり研磨用の乾式アングルグラインダーです。乾式の研磨 / 切断のみに使用してください。

- 本製品には、必ずHilti NuronのB 22シリーズのLi-Ionバッテリーを使用してください。最適な出力を得るため、Hiltiは本製品に対して本取扱説明書の巻末の表に記載されているバッテリーをお勧めします。
- これらのバッテリーには、必ず本取扱説明書の巻末の表に記載されているシリーズのHiltiの充電器を使用してください。

3.3 本体標準セット構成

アングルグラインダー、サイドハンドル、標準保護カバー、フロントカバー、テンションフランジ、クランピングナット、テンションレンチ、粉じんフィルター、取扱説明書。

その他のご使用の製品用に許可されたシステム製品については、弊社営業担当またはHilti Storeにお問い合わせいただくか、あるいはwww.hilti.groupでご確認ください。

3.4 ATC

本製品は、アクティブトルクコントロールATC (Active Torque Control) を装備しています。

先端工具がブロックしたりあるいは嘯むと、製品は突然に作業者の操作によらずに反対方向へ回転します。ATCは製品のこの突然の回転動作を検知し、製品を直ちにオフにします。



正しく作動するためには製品が回転できる必要があります。
シャットオフ機能が正常に作動した後は、製品をオフにして再びオンにします。

3.5 モーター保護機能

モーター保護機能は消費電流とモーターの過熱をモニターして、本製品を加熱から保護します。

接触圧が高すぎてモーターが過負荷になると、製品の出力が著しく低下するか、製品が動作を停止することがあります。



i 過負荷により停止または回転数の低下が発生した場合は、製品を負荷から解放して約 30 秒間無負荷回転数で作動させてください。

3.6 内蔵ブレーキ

内蔵ブレーキにより、先端工具の停止までの所要時間が短縮されます。

i この機能は、本製品に電流が供給されている場合に限り有効です。
制動時間は選択した先端工具により異なります。

3.7 フロントカバー

以下に挙げる用途では、標準保護カバー付きのフロントカバーを使用してください：

- ストレート粗削り研磨ディスクを使用しての粗削り研磨
- 切断研磨ディスクを使用しての切断研磨

3.8 切断用ダストカバー-DC-EX 125/5" C コンパクトカバー (アクセサリ)

ダイヤモンド切断研磨ディスクによる鋳物母材の切断研磨にはDC-EX 125/5" C コンパクトカバーを使用してください。

このカバーによる金属の加工は禁止されています。

3.9 ダストカバー (切断) DC-EX 125/5" M (アクセサリ)

ダイヤモンド切断研磨ディスクによる鋳物母材の切断研磨および切り込み作業は、必ずダストカバーを使用してください。

注意 このカバーによる金属の加工は禁止されています。

3.10 DG-EX 125/5" 研磨用ダストカバー (アクセサリ)

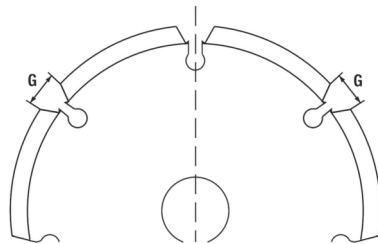
研磨システムは、ダイヤモンドカップホイールを使用しての鋳物母材のあまり頻繁ではない研磨にのみ適しています。

このカバーによる金属の加工は禁止されています。

3.11 適切なダイヤモンド切り込みディスクの形状

ダイヤモンド切り込みディスクの形状は以下の条件を満たしていなければなりません。

製品仕様	
セグメント間のスリット幅 (G)	≤ 10 mm
切断角度	ネガティブ



3.12 Li-Ion バッテリーのインジケーター

Hilti Nuron Li-Ion バッテリーは、充電状態、エラーメッセージ、およびバッテリーの状態を表示することができます。

3.12.1 充電状態およびエラーメッセージの表示

警告

負傷の危険 バッテリーの落下！

- ▶ バッテリーを装着した状態でリリースボタンを押した後は、バッテリーを確実に正しく使用する製品に再ロックするようにしてください。

次の表示を確認するには、バッテリーのリリースボタンを短く押してください。
充電状態および不具合は、接続されている製品がオンになっている間常時表示されます。



状態	意味
4 個の LED (4) が常時緑色で点灯	充電状態：100 %...71 %
3 個の LED (3) が常時緑色で点灯	充電状態：70 %...51 %
2 個の LED (2) が常時緑色で点灯	充電状態：50 %...26 %
1 個の LED (1) が常時緑色で点灯	充電状態：25 %...10 %
1 個の LED (1) がゆっくり緑色で点滅	充電状態：< 10 %
1 個の LED (1) が高速で緑色で点滅	Li-Ion バッテリーは完全に放電しています。バッテリーを充電してください。 バッテリーの充電の後にも LED が高速で点滅する場合は、 Hilti サービスセンターにご連絡ください。
1 個の LED (1) が高速で黄色で点滅	Li-Ion バッテリーまたは接続されている製品が過負荷、過熱、低温の状態にあるか、あるいはその他の不具合が発生しています。 製品とバッテリーを推奨動作温度にし、使用時に製品が過負荷にならないようにしてください。 メッセージが引き続き出力される場合は、 Hilti サービスセンターにご連絡ください。
1 個の LED (1) が黄色で点灯	Li-Ion バッテリーとそれと接続されている製品とに互換性がありません。 Hilti サービスセンターにご連絡ください。
1 個の LED (1) が高速で赤色で点滅	Li-Ion バッテリーはロックされていて、使用できません。 Hilti サービスセンターにご連絡ください。

3.12.2 バッテリーの状態に関する表示

バッテリーの状態を確認するには、リリースボタンを 3 秒を超えて押し続けてください。システムは、落下、異物の貫入、外部の熱源による損傷などの誤った使用に起因するバッテリーの機能異常については検知しません。

状態	意味
すべての LED がチェイサーライトとして点灯し、続いて 1 個の LED (1) が常時緑色で点灯。	バッテリーは引き続き使用することができます。
すべての LED がチェイサーライトとして点灯し、続いて 1 個の LED (1) が速く黄色で点滅。	バッテリーの状態確認を終了することができませんでした。手順を繰り返すか、 Hilti サービスセンターにご連絡ください。
すべての LED がチェイサーライトとして点灯し、続いて 1 個の LED (1) が常時赤色で点灯。	接続されている製品を引き続き使用できる場合、バッテリーの残り容量は 50% 未満です。 接続されている製品を引き続き使用することができない場合、バッテリーは寿命に達していて交換の必要があります。 Hilti サービスセンターにご連絡ください。

4 消耗品

使用できるのは、最大 Ø 125 mm 用の、回転数 11000 min⁻¹ 以上で 80 m/s のカット速度に対応した繊維強化合成樹脂ディスクのみです。

注意！ 切断研磨ディスクによる切断および切込みの際には、必ずフロントカバーを追加した標準保護カバー、あるいは完全に閉じたダストカバーを使用してください。

ディスク

タイプ	用途	略号	母材	最大厚さ	最大直径
アブレーシブ切断研磨ディスク	切断研磨、切込み	AC-D	金属	2.5 mm	125 mm
ダイヤモンド切断研磨ディスク	切断研磨、切込み	DC-TP, DC-D (SPX, SP, P)	鉱物	3 mm	125 mm
アブレーシブ粗削り研磨ディスク	粗削り研磨	AG-D, AF-D, AN-D	金属	6.4 mm	125 mm



タイプ	用途	略号	母材	最大厚さ	最大直径
ダイヤモンド粗削り研磨ディスク	粗削り研磨	DG-CW (SPX, SP, P)	鋳物	—	125 mm
ワイアブラシ	ワイアブラシ	3CS, 4CS, 3SS, 4SS	金属	— 27 mm	75 mm 125 mm
ダイヤモンドコアビット	タイル穴あけ	DD-M14	鋳物	—	125 mm
ファイバーディスク	粗削り研磨	AP-D	金属	—	125 mm

ディスクと装備の組合せ

項目	装備	AC-D	AP-D	AG-D、 AF-D、 AN-D	DG-CW (SPX、 SP、P)	DC-TP、 DC-D (SPX、 SP、P)	3CS、 4CS、 3SS、 4SS、 DD-M14
A	保護カバー (標準)	✓	✓	✓	✓	✓	✓
B	フロントカバー (Aとの組合せ)	✓	—	—	—	✓	—
C	DG-EX 125/5" 研磨用ダストカバー	—	—	—	✓	—	—
D	DC-EX 125/5"C 切断用ダストカバー (Aとの組合せ)	—	—	—	—	✓	—
E	DC-EX 125/5"M 切込み用ダストカバー	—	—	—	—	✓	—
F	DC-EX SL アダプター (Eとの組合せ)	—	—	—	—	✓	—
G	サイドハンドル (標準)	✓	✓	✓	✓	✓	✓
H	クランピングナット (標準)	✓	—	✓	✓	✓	—
I	テンションフランジ (標準)	✓	—	✓	✓	✓	—
J	Kwik lock (Hに対するオプション)	✓	—	✓	—	✓	—
K	クランピングナット (ファイバーディスク)	—	✓	—	—	—	—
L	サポートパッド (ファイバーディスク)	—	✓	—	—	—	—

5 製品仕様

AG 4S-22-125	
定格電圧	21.6 V
定格回転数	8,500/min
最大ディスク直径	125 mm
バッテリーなしの重量 (EPTA プロシージャ 01 に準拠)	2.1 kg
駆動スピンドルネジ	M14
スピンドルの長さ	22 mm
作動時の周囲温度	-17 °C ... 60 °C (1 °F ... 140 °F)
保管温度	-20 °C ... 70 °C (-4 °F ... 158 °F)



5.1 バッテリー

バッテリー作動電圧	21.6 V
バッテリー重量	本取扱説明書の巻末を参照してください
作動時の周囲温度	-17 °C ... 60 °C (1 °F ... 140 °F)
保管温度	-20 °C ... 40 °C (-4 °F ... 104 °F)
充電開始時のバッテリー温度	-10 °C ... 45 °C (14 °F ... 113 °F)

5.2 騒音および振動値について (62841-2-3:2021 準拠)

本説明書に記載されているサウンドプレッシャー値および振動値は、規格に準拠した測定方法に基づいて測定したものです。電動工具を比較するのにご使用いただけます。曝露値の暫定的な予測にも適しています。記載されているデータは、電動工具の主要な使用方法に対する値です。電動工具を他の用途で使用したり、異なる先端工具を取り付けて使用したり、手入れや保守が十分でないまま使用した場合には、データが異なることがあります。このような相違により、作業時間全体で曝露値が著しく高くなる可能性があります。

曝露値を正確に予測するためには、電動工具のスイッチをオフにしている時間や、電動工具が作動していても実際には使用していない時間も考慮しなければなりません。このような相違により、作業時間全体で曝露値が著しく低くなる可能性があります。

作業者を騒音および / または振動による作用から保護するために、他にも安全対策を立ててください (例 : 電動工具および先端工具の手入れや保守、手を冷やさないようにする、作業手順の編成)。

薄いシートメタルや表面積が大きいその他の振動しやすい構造物を研磨すると、所定の騒音排出値を上回る大きな騒音が排出される可能性があります。そのような作業で発生する騒音は、厚くて柔軟性のある遮音マットを取り付けるなどの処置により低減することができます。騒音暴露のリスクを評価し、適切な聴覚保護具を選択するには、これらの増加した値を常に考慮してください。

騒音について

	AG 4S-22-125
排出サウンドプレッシャーレベル (L_{pA})	89 dB(A)
サウンドプレッシャーレベルの不確実性 (K_{pA})	3 dB(A)
サウンドパワーレベル (L_{WA})	97 dB(A)
サウンドパワーレベルの不確実性 (K_{WA})	3 dB(A)

振動について

切断などの他の用途に使用した場合には、振動値がここに記載した値から変化する可能性があります。

	AG 4S-22-125	
表面研磨 (a_{hAG})	B 22-55	5.1 m/s ²
	B 22-255	5.4 m/s ²
不確実性 (K)		1.5 m/s ²

6 作業準備

警告

負傷の危険 意図しない始動!

- ▶ バッテリーを装着する前に、バッテリーを装着する製品のスイッチがオフになっていることを確認してください。
- ▶ 本体の設定、またはアクセサリーの交換の前にバッテリーを取り外してください。

本書および製品に記載されている安全上の注意と警告表示に注意してください。

6.1 バッテリーを充電する

1. 充電の前に充電器の取扱説明書をお読みください。
2. バッテリーと充電器の電気接点は汚れがなく、乾燥していることを確認してください。



3. バッテリーは許可された充電器で充電してください。→ 頁 289

6.2 バッテリーを装着する

警告


負傷の危険 短絡あるいはバッテリーの落下！

- ▶ バッテリーを装着する前に、バッテリーの電気接点と製品の電気接点に異物がないことを確認してください。
 - ▶ バッテリーが正しくロックされていることを常に確認してください。
1. はじめてお使いになる前にバッテリーをフル充電してください。
 2. ロックの音が聞こえるまでバッテリーを製品へとスライドさせます。
 3. バッテリーがしっかりと装着されていることを確認してください。

6.3 バッテリーを取り外す

1. バッテリーのリリースボタンを押します。
2. 製品からバッテリーを抜き取ります。

6.4 Hilti 落下暴発防止装置を取り付ける (オプション)

 本製品を使用しての高所での作業の際は、各国の定めるガイドラインを必ず守ってください。落下暴発防止装置の取扱説明書に注意してください。


1. 落下暴発防止装置の両方のラグを、正確にスパーク保護プレートに合わせてください。
2. 落下暴発防止装置は、付属のネジを使用してスパーク保護プレートの所定の穴に固定してください。
3. バッテリーを装着します。→ 頁 294

6.5 転倒防止装置

警告


負傷の危険 先端工具および / あるいはアクセサリーの落下！

- ▶ 必ずご使用の製品用に推奨されているHiltiの工具保持ロープを使用してください。
- ▶ 使用の前に毎回、工具保持ロープの固定ポイントに損傷がないか点検してください。

 ご使用の国において適用される高所での作業に関する規則に注意してください。

本製品の落下防止には、必ずHiltiの落下暴発防止装置#2293133 およびHiltiの工具保持ロープ#2261970を組み合わせで使用してください。

- ▶ 落下暴発防止装置をアクセサリー用の取り付け開口部に固定してください。しっかりと固定されていることを確認してください。
- ▶ 工具保持ロープのスナップフックを落下暴発防止装置に固定し、第2のスナップフックを支持構造物に固定します。両方のスナップフックがしっかりと固定されていることを確認してください。

 Hilti 落下暴発防止装置およびHilti 工具保持ロープの取扱説明書の記載に注意してください。

6.6 サイドハンドルを取り付ける

- ▶ サイドハンドルをいずれかのねじ込みブッシュにねじ込みます。

6.7 先保護カバーを取り付ける / 取り外す

注意

負傷の危険。 先端工具は熱くなっていたり、エッジが鋭くなっている場合があります。

- ▶ 取付け、取外し、調整作業および不具合の除去の際には保護手袋を着用してください。

- ▶ 当該の保護カバーの取付け説明書に従ってください。



6.7.1 標準保護カバーを取り付ける

保護カバーは、本製品に対応した保護カバーのみを取り付けることができるようにするコーディングカムを備えています。保護カバーは、コーディングカムとともに本製品のカバーホルダー内を動かします。

1. 保護カバーと本製品の三角形のマークが互いに向かい合うように、保護カバーをスピンドルカラーに乗せます。
2. 保護カバーをスピンドルカラーに押し付けます。
3. カバーリリースボタンを押して、保護カバーを希望の方向にロックされるまで回します。
 - ▶ カバーリリースボタンが元の位置に戻ります。

6.7.2 標準保護カバーを調整する

- ▶ カバーリリースボタンを押して、保護カバーを希望の方向にロックされるまで回します。

6.7.3 標準保護カバーを取り外す

1. カバーリリースボタンを押し、保護カバーと本製品の三角形のマークが互いに向かい合うようになるまで保護カバーを回します。
2. 保護カバーを取り外します。

6.8 フロントカバーを取り付ける / 取り外す

フロントカバーは標準保護カバーに差し込む必要があります。

1. フロントカバーの閉じた側を上に向けて、標準保護カバーに取り付けてください。
 - ▶ ロック音が聞こえなければなりません。
2. 取り外すには、フロントカバーのロックを開きます。
3. 標準保護カバーからフロントカバーを取り外します。

6.9 先端工具を取り付ける / 取り外す

注意

負傷の危険。 先端工具は熱くなることがあります。

- ▶ 先端工具を交換する際には保護手袋を着用してください。

切断性能または研磨性能が明らかに低下したなら、ダイヤモンドディスクは直ちに交換する必要があります。一般的に、ダイヤモンドセグメントの高さが 2 mm 未満になったらダイヤモンドディスクを交換する必要があります。

その他のタイプのディスクは、切断性能が明らかに低下した場合、あるいは作業中にアングルグラインダーの部品（ディスクを除く）が作業対象と接触した場合には直ちに交換する必要があります。アブレーションディスクは有効期限が切れたなら交換する必要があります。

6.9.1 先端工具を取り付ける

警告

負傷の危険。 本体モーターの制動時に先端工具が外れることがあります。

- ▶ 先端工具あるいはクランピングナットを掴むのは、先端工具が停止するまでお待ちください。
- ▶ 先端工具とテンションフランジはクランピングナットを使用して締め付け、本体モーターの制動時にスピンドルから外れる部品がないようにしてください。

1. テンションフランジとクランピングナットを清掃してください。
2. テンションフランジに O リングがあり損傷していないことを確認してください。
 - ▶ O リングがない場合、あるいは損傷している場合は、新しい O リングを取り付けてください。
3. テンションフランジを、緩みなく、回転しないようにスピンドルに取り付けます。
4. 先端工具を取り付けます。
5. クランピングナットを装着した先端工具に合わせてしっかり締め付けます。
6. スピンドルロックボタンを押して、その状態を保ちます。



7. テンションレンチでクランピングナットを締め付け、続いてスピンドルロックボタンから指を放してテンションレンチを取り外します。

6.9.2 先端工具を取り外す

警告

破損および故障の危険。スピンドルが回転しているときにスピンドルロックボタンを押すと、先端工具が外れることがあります。

- ▶ スピンドルロックボタンは必ずスピンドルが停止している状態で押してください。

1. スピンドルロックボタンを押して、その状態を保ちます。
2. テンションレンチを取り付けて、反時計方向に回してクランピングナットを緩めます。
3. スピンドルロックボタンから指を放して先端工具を取り外します。

6.9.3 Kwik lock を取り付ける

警告

破損の危険。Kwik lock クイッククランピングナットは過度の摩耗により破損することがあります。

- ▶ 作業の際にはKwik lock クイッククランピングナットが母材と接触しないように注意してください。
- ▶ 損傷したKwik lock クイッククランピングナットは使用しないでください。

クランピングナットの代わりにオプションのKwik lock クイッククランピングナットを使用することができます。これにより、追加の工具を使わずに先端工具を交換できます。

1. テンションフランジとクランピングナットを清掃してください。
2. テンションフランジにOリングがあり損傷していないことを確認してください。
 - ▶ Oリングがない場合、あるいは損傷している場合は、新しいOリングを取り付けてください。
3. テンションフランジを、緩みなく、回転しないようにスピンドルに取り付けます。
4. 先端工具を取り付けます。
5. **Kwik lock** クイッククランピングナットをねじ込み、先端工具の上ののっている状態にします。
 - ▶ ねじ込んだ状態で**Kwik lock**の文字を確認できます。
6. スピンドルロックボタンを押し続けます。
7. **Kwik lock** クイッククランピングナットが確実に締め付けられるまで、先端工具を手で時計方向に強く回します。
8. スピンドルロックボタンから指を放します。

6.9.4 Kwik lock を取り外す

Kwik lock クイッククランピングナットを手で緩めることができない場合は、テンションレンチをクイッククランピングナットに取り付けて、テンションレンチを反時計方向に回します。決してパイプレンチを使用しないでください。正しくない工具を使用すると、**Kwik lock** クイッククランピングナットを損傷することがあります。

1. スピンドルロックボタンを押します。
2. **Kwik lock** クイッククランピングナットを緩めるには、手で反時計方向に回します。
3. スピンドルロックボタンから指を放して、先端工具を取り外します。

6.9.5 コアビットを取り付ける

1. サイドハンドルを取り付けます。→ 頁 294
2. 標準保護カバーを取り付けます。
3. コアビットを取り付けて、手で締め付けます。
4. スピンドルロックボタンを押して、その状態を保ちます。
5. 適切なオープンエンドレンチを使用してコアビットを締め付けます。
6. 続いてスピンドルロックボタンから指を放してオープンエンドレンチを取り外します。

6.9.6 ワイアブラシを取り付ける

1. サイドハンドルを取り付けます。→ 頁 294
2. 標準保護カバーを取り付けます。
3. ワイアブラシを取り付けて、手で締め付けます。



4. スピンドルロックボタンを押して、その状態を保ちます。
5. 適切なオープンエンドレンチを使用してワイアブラシを締め付けます。
6. 続いてスピンドルロックボタンから指を放してオープンエンドレンチを取り外します。

6.9.7 ファイバーディスクを取り付ける

1. サイドハンドルを取り付けます。→ 頁 294
2. 標準保護カバーを取り付けます。
3. サポートパッドとファイバーディスクを取り付けて、クランピングナットを締め付けます。
4. スピンドルロックボタンを押して、その状態を保ちます。
5. テンションレンチでクランピングナットを締め付けます。
6. 続いてスピンドルロックボタンから指を放してテンションレンチを取り外します。

7 ご使用方法

7.1 スイッチオン

1. ON/OFF スイッチの後部を押します。
2. ON/OFF スイッチを前方にスライドさせます。
 - ▶ モーターが作動します。
3. ON/OFF スイッチをロックします。

7.2 研磨

警告

負傷の危険。先端工具は、突然停止したりひっかかることがあります。

- ▶ 本製品はサイドハンドルを付けて使用し、常に両手で確実に保持してください。

先端工具がつままないようにしてください。また製品を過度な力で押し付けしないでください。

7.3 切断研磨

- ▶ 切断研磨の場合は、適度に送りながら作業し、本製品または切断研磨ディスクを傾けないようにします(作業位置は切断面に対して約 90°)。



成形材および小型の角パイプは、切断研磨ディスクの接触断面をできるだけ小さくすることによって最も効率よく切断することができます。

7.4 粗削り研磨

警告

負傷の危険。切断研磨ディスクが破損して飛散した破片により負傷することがあります。

- ▶ 切断研磨ディスクは決して粗削り研磨に使用しないでください。

- ▶ 本製品を 5°...30° のアプローチ角度で、適度な圧力をかけながら前後に動かします。
 - ▶ 作業材料は熱くなりすぎたり変色することがなく、凹凸なく仕上げることができます。

7.5 スイッチオフ

- ▶ ON/OFF スイッチの後部を押します。
 - ▶ ON/OFF スイッチはオフ位置になりモーターが停止します。

8 手入れと保守

警告

バッテリーを装着した状態における負傷の危険 !

- ▶ 手入れや保守作業の前に必ずバッテリーを取り外してください !



⚠ 危険

保護絶縁の欠落による感電。使用条件によっては、金属の加工時に導電性の粉じん（金属、カーボンファバーなど）が本体内部に引き込まれ、保護絶縁が影響を受けることがあります。

- ▶ 使用条件によっては、固定式の吸じん装置を使用してください。
- ▶ 通気溝は頻繁に清掃してください。

製品の手入れ

- 付着した汚れを慎重に除去してください。
- 必ず少し湿した布でハウジングを拭いてください。シリコンを含んだ磨き粉はプラスチック部品をいためる可能性があるので使用しないでください。
- 本製品の電気接点を清掃するには、清潔な乾いた布を使用してください。

Li-Ion バッテリーの手入れ

- 通気溝が詰まっているバッテリーは決して使用しないでください。通気溝を乾いた柔らかいブラシを使用して慎重に掃除してください。
- バッテリーを不必要に粉じんや汚れに曝さないようにしてください。バッテリーは、決して高い湿度に曝さないでください（例：水中に沈める、あるいは雨中に放置する）。水分が浸入したバッテリーは、損傷したもとして取り扱ってください。そのようなバッテリーは不燃性の容器に隔離し、Hilti サービスセンターにご連絡ください。
- バッテリーには、本製品に使用しているのではないオイルやグリスが付着しないようにしてください。バッテリーに不必要な粉じんあるいは汚れが堆積しないようにしてください。バッテリーは、乾いた柔らかいブラシまたは乾いた布で清掃してください。シリコンを含んだ磨き粉はプラスチック部品をいためる可能性があるので使用しないでください。バッテリーの電気接点に手を触れないでください、また、工場出荷時に塗布されているグリスを電気接点からぬぐい取らないでください。
- 必ず少し湿した布でハウジングを拭いてください。シリコンを含んだ磨き粉はプラスチック部品をいためる可能性があるので使用しないでください。

保守

- 目視確認可能なすべての部品については損傷の有無を、操作エレメントについては問題なく機能することを定期的に点検してください。
- 損傷および / または機能に問題のある場合は、本製品を使用しないでください。速やかにHilti サービスセンターに本製品の修理を依頼してください。
- 手入れおよび保守作業の後は、すべての安全機構を取り付けて、それらが問題なく作動するか点検してください。

i 安全な作動のために、必ず純正のスペアパーツと消耗品を使用してください。本製品向けにHilti が承認したスペアパーツ、消耗品およびアクセサリは、弊社営業担当またはHilti Store お問い合わせいただくか、あるいはwww.hilti.group

9 バッテリー式工具およびバッテリーの搬送および保管**搬送****⚠ 注意**

搬送時の予期しない始動！

- ▶ お使いの製品は、必ずバッテリーを装着していない状態で搬送してください！
- ▶ バッテリーを取り外してください。
- ▶ バッテリーは決して梱包しない状態で搬送しないでください。搬送中のバッテリーは、他のバッテリー電極と接触して短絡の原因となることを防ぐために、過大な衝撃や振動から保護し、あらゆる導電性の物体あるいは他のバッテリーから隔離する必要があります。バッテリーの搬送に関する各国（地域）の規則を遵守してください。
- ▶ バッテリーは郵送しないでください。損傷していないバッテリーを送付する場合は、運送業者を手配してください。
- ▶ 使用の前にその都度、また長距離の搬送の前には、製品とバッテリーに損傷がないか点検してください。



保管上の注意事項

警告

故障したあるいは液漏れしたバッテリーによる予期しない損傷！

- ▶ お使いの製品は、必ずバッテリーを装着していない状態で保管してください！
-
- ▶ 製品とバッテリーは涼しくて乾燥した場所に保管してください。製品仕様に記載されている温度の限界値に注意してください。
 - ▶ バッテリーは充電器内で保管しないでください。充電の後は、必ずバッテリーを充電器から取り出してください。
 - ▶ バッテリーを太陽の直射下、熱源の上、窓際等で保管しないでください。
 - ▶ 製品およびバッテリーは、子供や権限のない人が手を触れることのないようにして保管してください。
 - ▶ 使用前のみにその都度、また長期にわたる保管の前には、製品とバッテリーに損傷がないか点検してください。

10 故障時のヒント

すべての不具合において、バッテリーの充電状態および故障インジケーターを確認してください。Li-Ionバッテリーのインジケーターの章を参照してください。
この表に記載されていない、あるいはご自身で解消することのできない故障が発生した場合には、弊社営業担当またはHilti サービスセンターにご連絡ください。

故障	考えられる原因	解決策
製品がオンにならない。	バッテリーが放電している。	▶ バッテリーを交換し、空のバッテリーを充電してください。
バッテリーの放電が通常よりも早い。	周囲温度が低すぎる。	▶ バッテリーをゆっくり室温まで暖めてください。
バッテリーが「カチツ」と音がするまでロックされない。	バッテリーのロックノッチが汚れている。	▶ ロックノッチを清掃してバッテリーを改めてロックしてください。
アングルグラインダーあるいはバッテリーが熱くなる。	電氣的故障	▶ 製品の電源を直ちに切ってバッテリーを取り外して観察してください。バッテリーを冷ましてHilti サービスセンターに連絡してください。
	通気溝の目詰まり	▶ 通気溝を定期的に清掃してください。
モーターの制動機能なし。	バッテリーが放電している。	▶ バッテリーを交換し、空のバッテリーを充電してください。
	製品の短時間の過負荷。	▶ 製品をオフにして、再びオンにします。

11 廃棄

警告

誤った廃棄による負傷の危険！ 漏出するガスあるいはバッテリー液により健康を損なう危険があります。

- ▶ 損傷したバッテリーを送付しないでください！
- ▶ 短絡を防止するために接続部を非導電性のもので覆ってください。
- ▶ バッテリーは子供が手を触れることのないように廃棄してください。
- ▶ バッテリーの廃棄は、最寄りのHilti Store あるいは適切な廃棄物処理業者に依頼してください。

Hilti 製品の大部分の部品はリサイクル可能です。リサイクル前にそれぞれの部品は分別して回収されなければなりません。多くの国でHiltiは、古い工具をリサイクルのために回収しています。詳細については弊社営業担当またはHilti 代理店・販売店にお尋ねください。



- ▶ 電動工具、電子機器およびバッテリーを一般ゴミとして廃棄してはなりません！



12 メーカー保証

- ▶ 保証条件に関するご質問は、最寄りのHilti 代理店・販売店までお問い合わせください。

13 その他の情報

ご使用方法、技術、環境保護およびリサイクルに関するその他の情報については、qr.hilti.com/manual/?id=2252233&id=2252235&id=2251374 のリンクをご確認ください。
このリンクは、本書の巻末にも QR コードとして記載されています。



EC Declaration of Conformity | UK Declaration of Conformity



Manufacturer:
Hilti Corporation
Feldkircherstraße 100
9494 Schaan | Liechtenstein

UK Importer:
Hilti (Gt. Britain) Limited
No. 1 Circle Square, 3 Symphony Park
Manchester, England, M1 7FS

AG 4S-22-100 (02) | AG 4S-22-125 (02)

Serial Numbers: 1-9999999999

2006/42/EC | Supply of Machinery (Safety) Regulations 2008

2014/30/EU | Electromagnetic Compatibility Regulations 2016

2014/35/EU | Electrical Equipment (Safety) Regulations 2016

2011/65/EU | The Restriction of the Use of Certain Hazardous Substances in Electrical and Electronic Equipment Regulations 2012

EN 62841-1:2015,
AC:2015, A11:2022

EN IEC 55014-1:2021

EN IEC 62841-2-3:2021/A11:2021

EN IEC 55014-2:2021

Dr. Tahar Zrilli
Head of Quality and Process Management
Business Area Electric Tools & Accessories

Schaan, 18.03.2024

Edward-Louis Przybyłowicz
Head of BU Power Tool & Accessories
Business Area Electric Tools & Accessories



 NURON

B 22-55 (01)	0,56 kg	1.23 lb
B 22-85 (01)	0,77 kg	1.70 lb
B 22-110 (01)	0,92 kg	2.03 lb
B 22-170 (01)	1,34 kg	2.95 lb
B 22-255 (01)	1,87 kg	4.12 lb

C 4-22
C 6-22
C 8-22



Hilti Corporation
LI-9494 Schaan
Tel.:+423 234 21 11
Fax:+423 234 29 65
www.hilti.group



2251374